



US00D931172S

(12) **United States Design Patent** (10) **Patent No.:** **US D931,172 S**
Zheng (45) **Date of Patent:** **** Sep. 21, 2021**

(54) **CAR SPOILER**

(71) Applicant: **Jumei Zheng**, Wuhu (CN)

(72) Inventor: **Jumei Zheng**, Wuhu (CN)

(**) Term: **15 Years**

(21) Appl. No.: **29/753,176**

(22) Filed: **Sep. 30, 2020**

(51) **LOC (13) Cl.** **12-16**

(52) **U.S. Cl.**
USPC **D12/181**

(58) **Field of Classification Search**
USPC D12/181-184, 191, 400
CPC B62D 37/02; B62D 35/007; B62D 35/00
See application file for complete search history.

(56) **References Cited**

U.S. PATENT DOCUMENTS

D786,156 S	5/2017	Kang	
D893,371 S	8/2020	Gilbert	
D899,980 S	* 10/2020	von Holzhausen D12/181
D900,688 S	* 11/2020	von Holzhausen D12/181
D905,602 S	* 12/2020	Chen D12/181

D906,912 S	*	1/2021	Anscheidt	D12/181
D907,547 S	*	1/2021	Buck	D12/181
D907,550 S	*	1/2021	Chiang	D12/181
D907,891 S	*	1/2021	Zheng	D12/181
D909,938 S	*	2/2021	Ninov	D12/181
D914,558 S	*	3/2021	Hovind	D12/181
D914,559 S	*	3/2021	Marling	D12/181
D919,522 S	*	5/2021	Chen	D12/181

* cited by examiner

Primary Examiner — Katrina A Betton

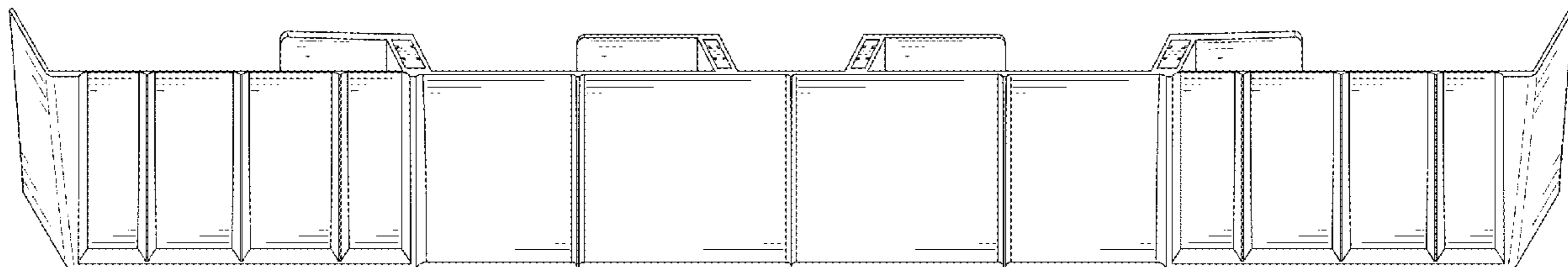
(57) **CLAIM**

The ornamental design for a car spoiler, as shown and described.

DESCRIPTION

FIG. 1 is a perspective view of a car spoiler showing my new design;
 FIG. 2 is another perspective view thereof;
 FIG. 3 is a front elevational view thereof;
 FIG. 4 is a rear elevational view thereof;
 FIG. 5 is a left side elevational view thereof;
 FIG. 6 is a right side elevational view thereof;
 FIG. 7 is a top plan view thereof; and,
 FIG. 8 is a bottom plan view thereof.

1 Claim, 8 Drawing Sheets



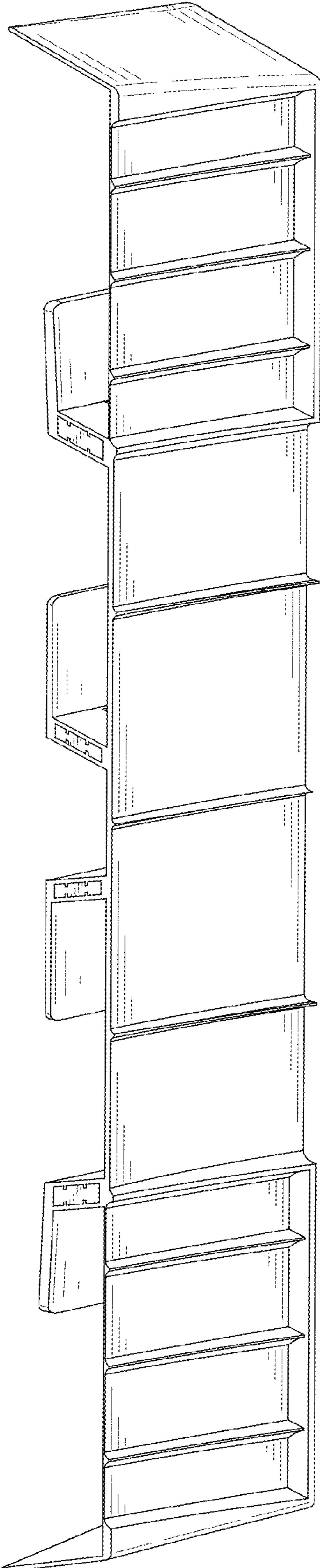


FIG. 1

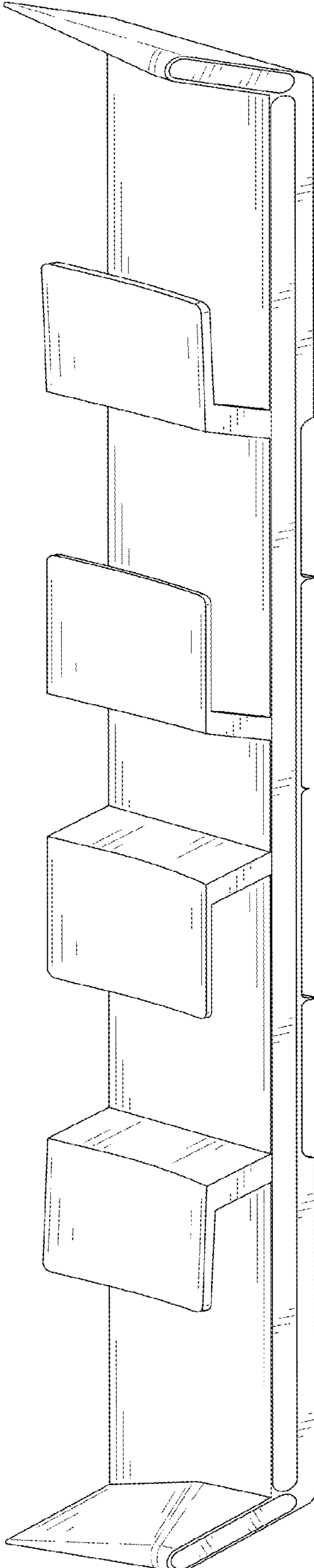


FIG. 2

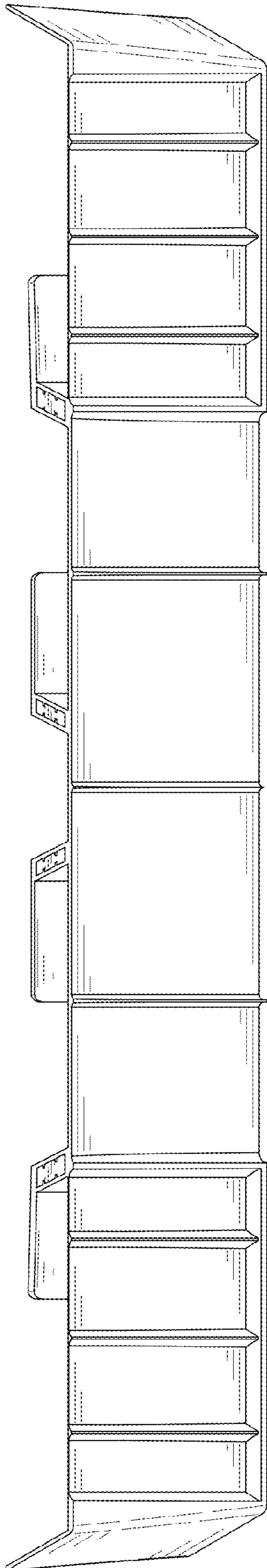


FIG. 3

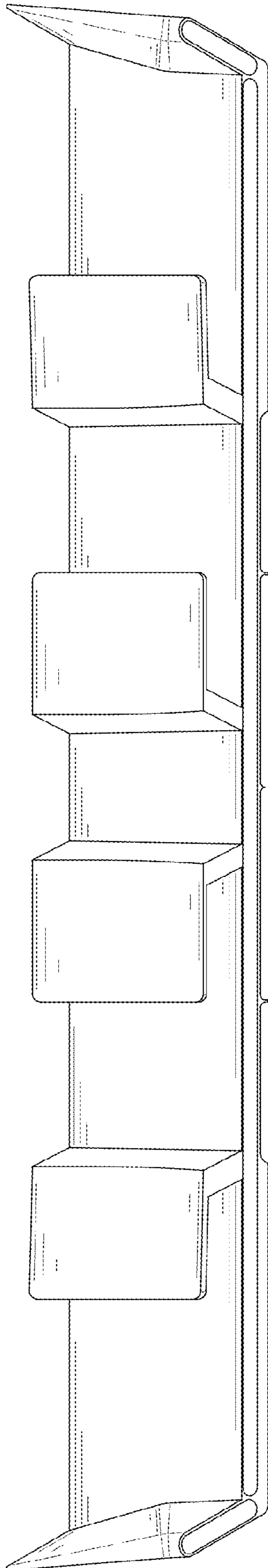


FIG. 4

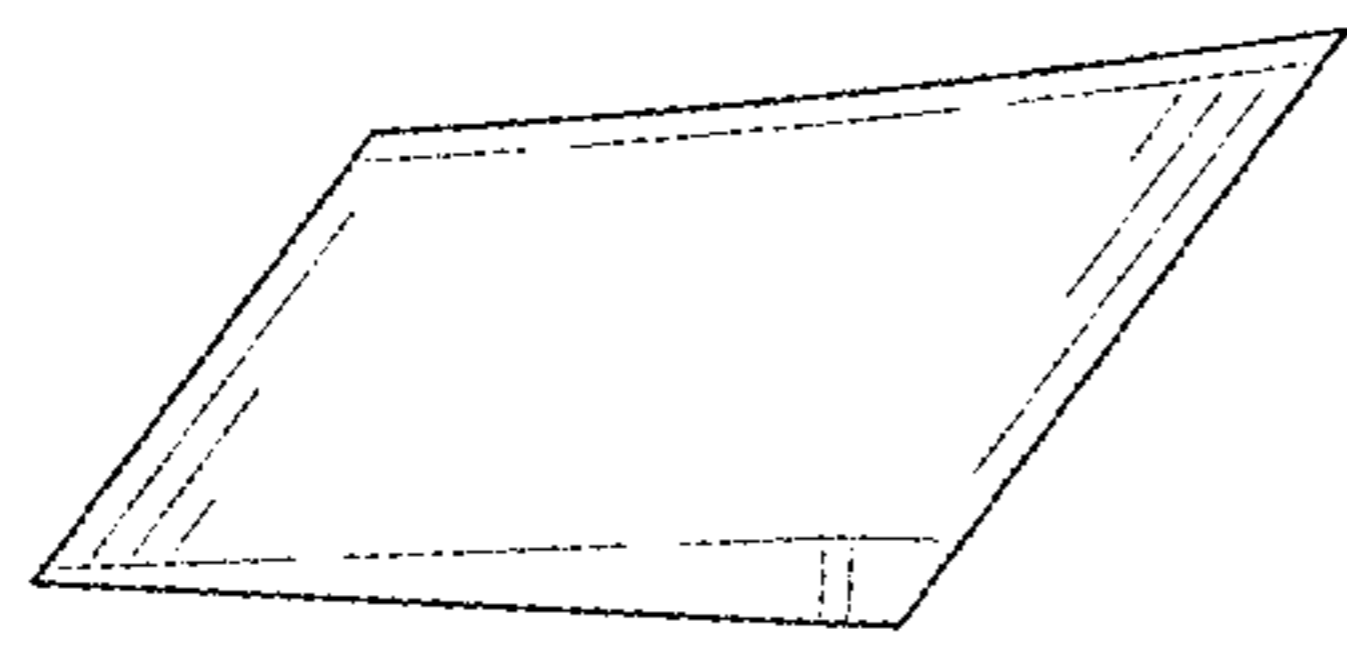


FIG. 5

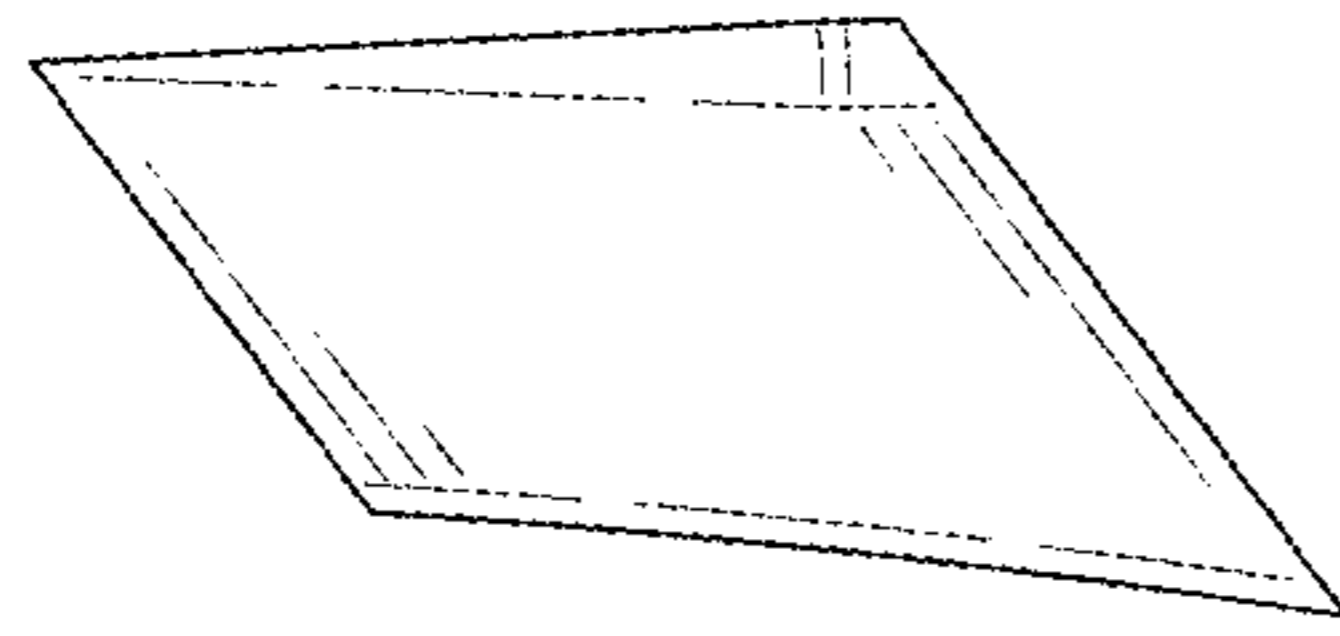


FIG. 6

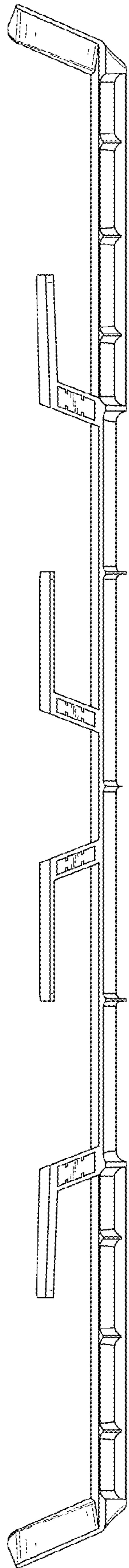


FIG. 7

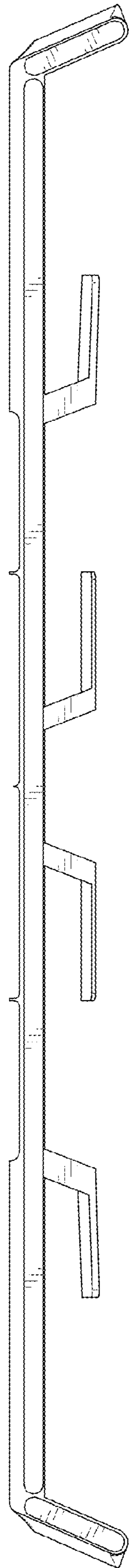


FIG. 8