

US00D931171S

(12) **United States Design Patent**
Nessi et al.

(10) **Patent No.:** **US D931,171 S**

(45) **Date of Patent:** **** Sep. 21, 2021**

(54) **BRAKE CALIPER**

(71) Applicant: **Freni Brembo S.p.A.**, Curno (IT)

(72) Inventors: **Lorenzo Nessi**, Curno (IT); **Armando Puddu**, Curno (IT)

(73) Assignee: **Freni Brembo S.p.A.**, Bergamo (IT)

(**) Term: **15 Years**

(21) Appl. No.: **35/509,135**

(22) Filed: **Sep. 27, 2019**

(80) **Hague Agreement Data**

Int. Filing Date: **Sep. 27, 2019**

Int. Reg. No.: **DM/206978**

Int. Reg. Date: **Sep. 27, 2019**

Int. Reg. Pub. Date: **Apr. 17, 2020**

(30) **Foreign Application Priority Data**

Mar. 27, 2019 (IT) 402019000000569

(51) **LOC (13) Cl.** **12-16**

(52) **U.S. Cl.**
USPC **D12/180**

(58) **Field of Classification Search**

USPC D12/123, 160, 179, 180
CPC F16D 55/226; F16D 55/228; F16D 65/18;
F16D 65/183; F16D 65/58; F16D
65/0068; F16D 65/095; F16D 5/568

See application file for complete search history.

(56) **References Cited**

U.S. PATENT DOCUMENTS

D493,754 S * 8/2004 Barbosa D12/180
D515,482 S * 2/2006 Barbosa D12/180
D630,141 S * 1/2011 Chen D12/180
D700,551 S * 3/2014 Davenport, III D12/180
D804,375 S * 12/2017 Crippa D12/180

D805,012 S * 12/2017 Crippa D12/180
9,856,934 B2 * 1/2018 Peck F16D 65/123
D813,125 S * 3/2018 Crippa D12/180
D816,002 S * 4/2018 Crippa D12/180
9,970,495 B2 * 5/2018 Crippa F16D 55/225
D831,551 S * 10/2018 Wilson D12/190
D837,704 S * 1/2019 Huang D12/180
D840,301 S * 2/2019 Bonetti D12/180
D851,566 S * 6/2019 Nessi D12/180
D854,985 S * 7/2019 Comenduli D12/180
10,364,855 B2 * 7/2019 Miyahara F16D 65/0068
D862,327 S * 10/2019 Scotti D12/180
D864,808 S * 10/2019 Crippa D12/180
D864,809 S * 10/2019 Puddu D12/180
D868,654 S * 12/2019 Thorpe D12/180
D868,655 S * 12/2019 Thorpe D12/180
D877,673 S * 3/2020 Oku D12/180
D892,007 S * 8/2020 Scotti D12/180
10,760,630 B2 * 9/2020 Liao F16D 65/0087
D902,097 S * 11/2020 Ock D12/180
10,844,917 B2 * 11/2020 Igawa F16D 55/228
10,907,695 B2 * 2/2021 Fischl F16D 65/0075

(Continued)

Primary Examiner — Darlington Ly

(74) *Attorney, Agent, or Firm* — Marshall & Melhorn, LLC

(57) **CLAIM**

The ornamental design for a brake caliper, as shown and described.

DESCRIPTION

1. Brake caliper

1.1 is a top, front and left side perspective view of a brake caliper embodying our new design;

1.2 is a top, front, and right side perspective view thereof;

1.3 is a top, rear, and right side perspective view thereof;

1.4 is a top, rear, and left side perspective view thereof;

1.5 is a right side elevation view thereof;

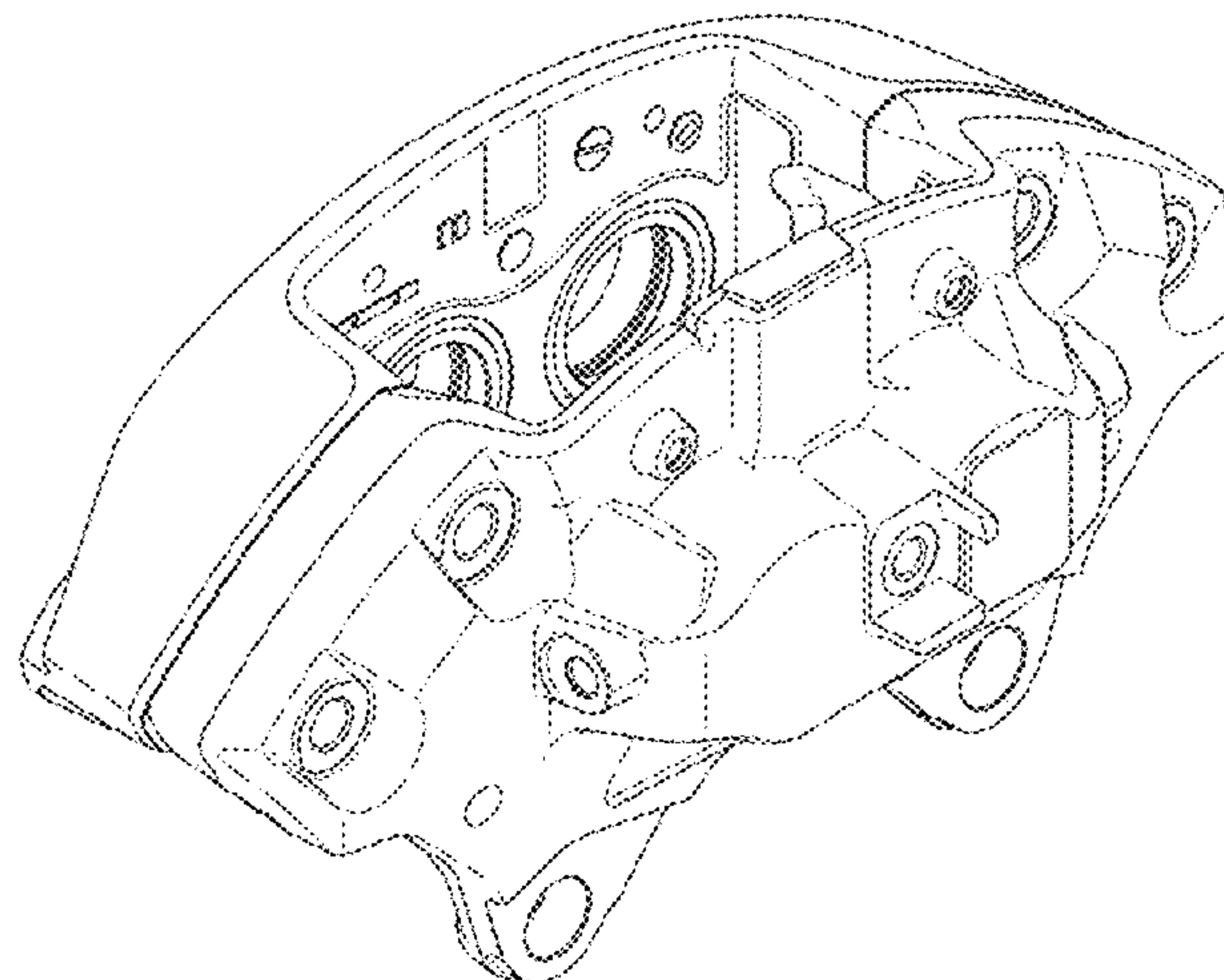
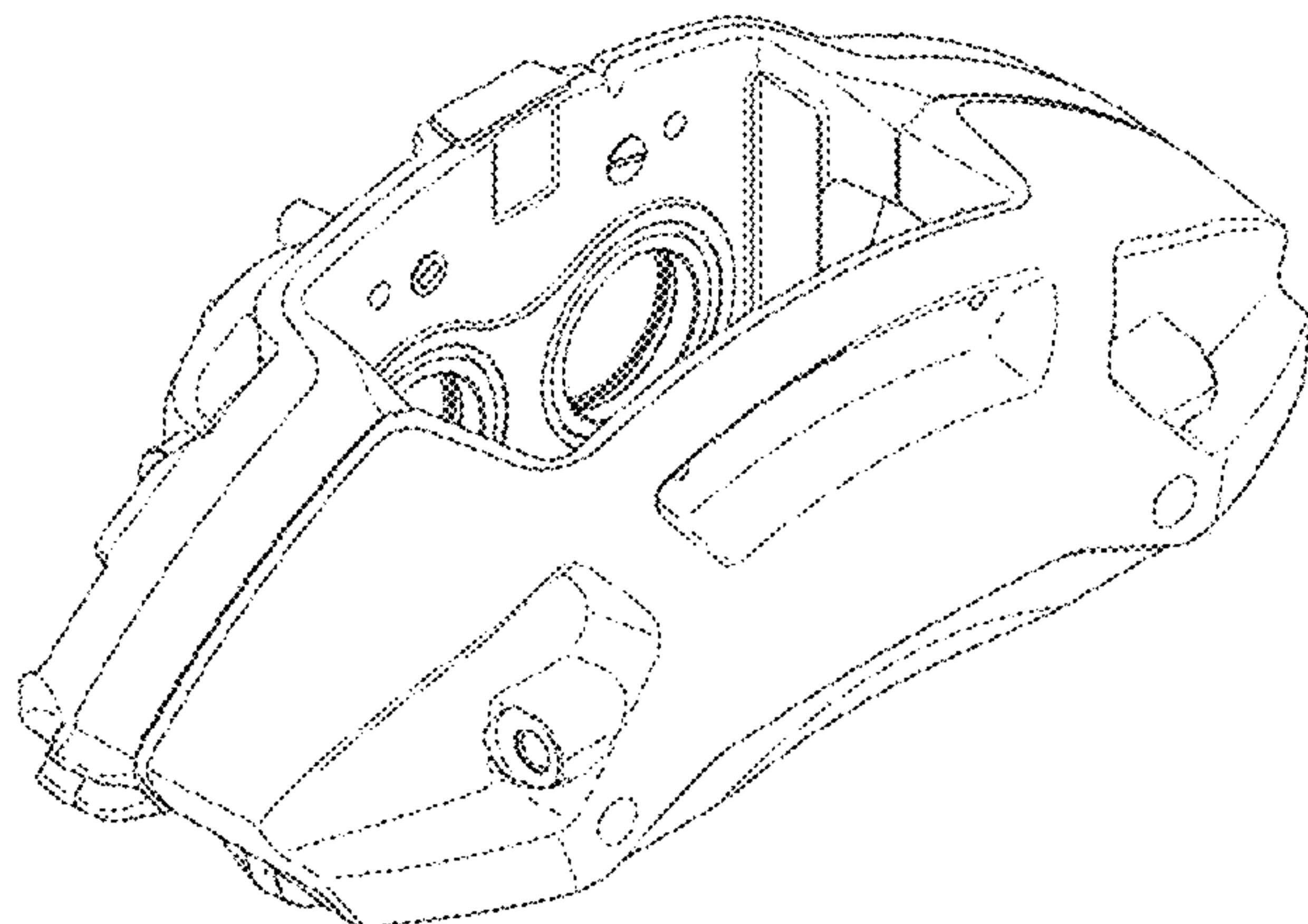
1.6 is a left side elevation view thereof;

1.7 is a front elevation view thereof;

1.8 is a rear elevation view thereof; and

1.9 is a top plan view thereof.

1 Claim, 9 Drawing Sheets



(56)

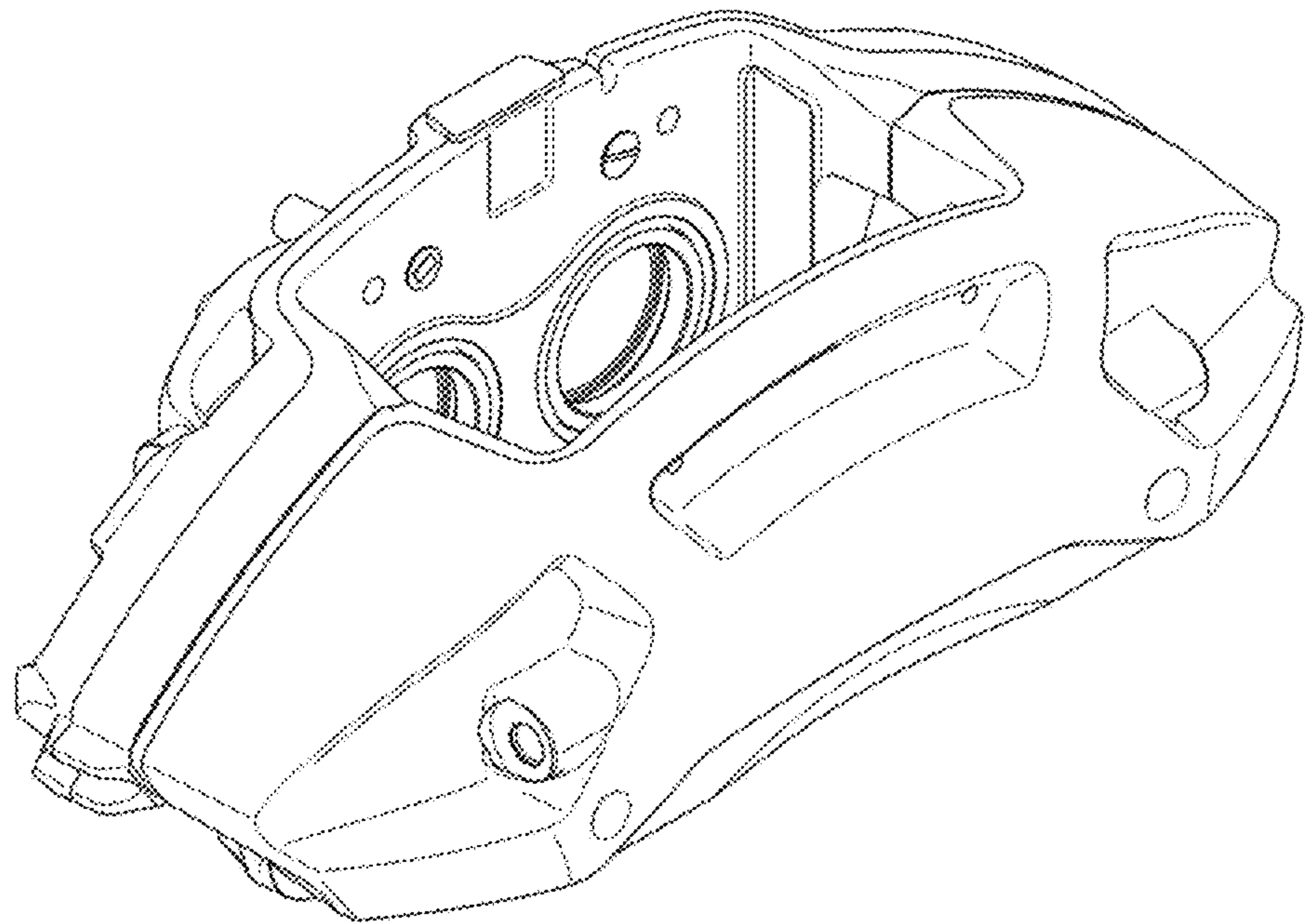
References Cited

U.S. PATENT DOCUMENTS

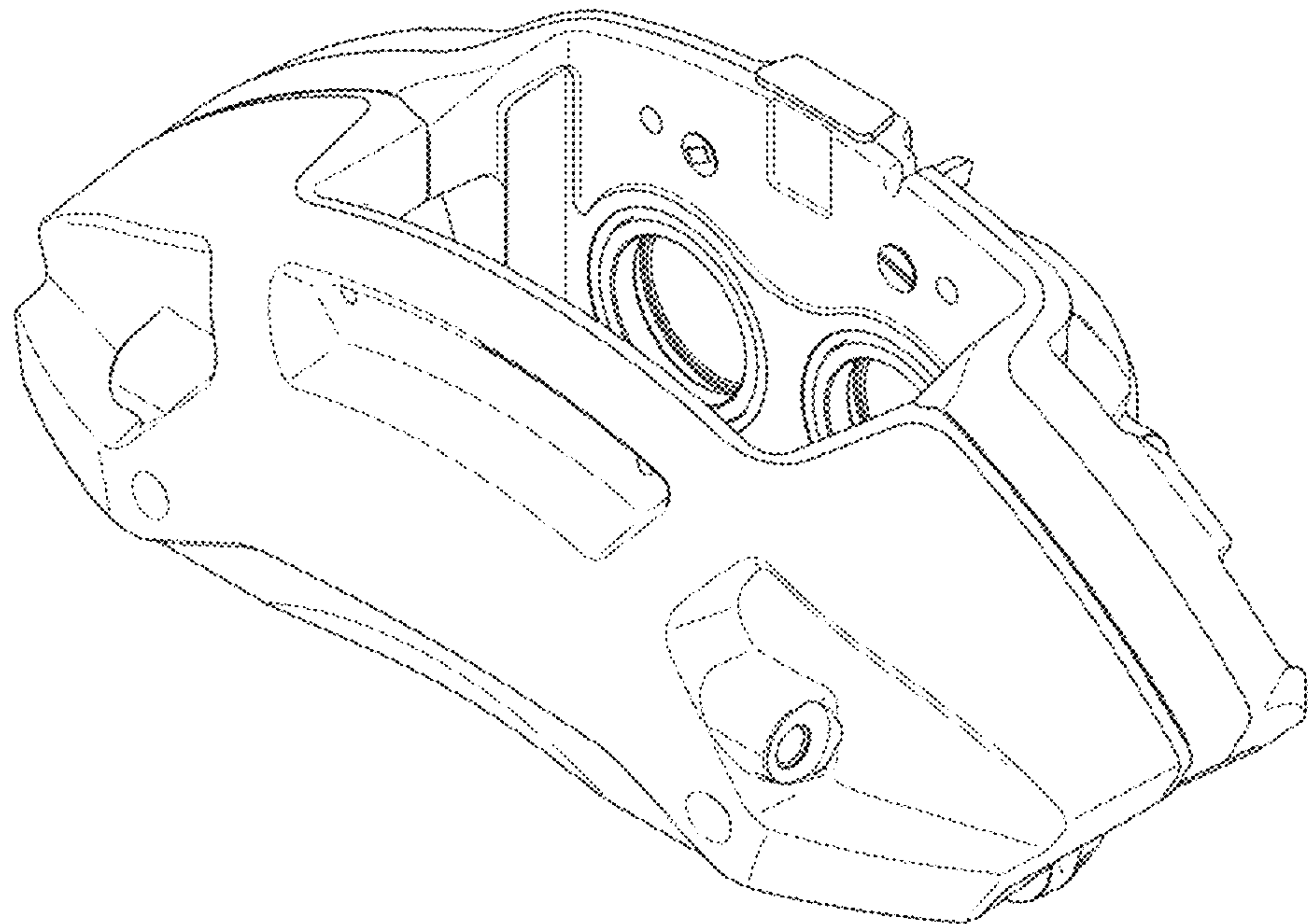
2016/0053835 A1* 2/2016 Castellana F16D 55/228
188/72.4
2016/0208872 A1* 7/2016 Morio F16D 55/228
2017/0037916 A1* 2/2017 Crippa F16D 65/0977

* cited by examiner

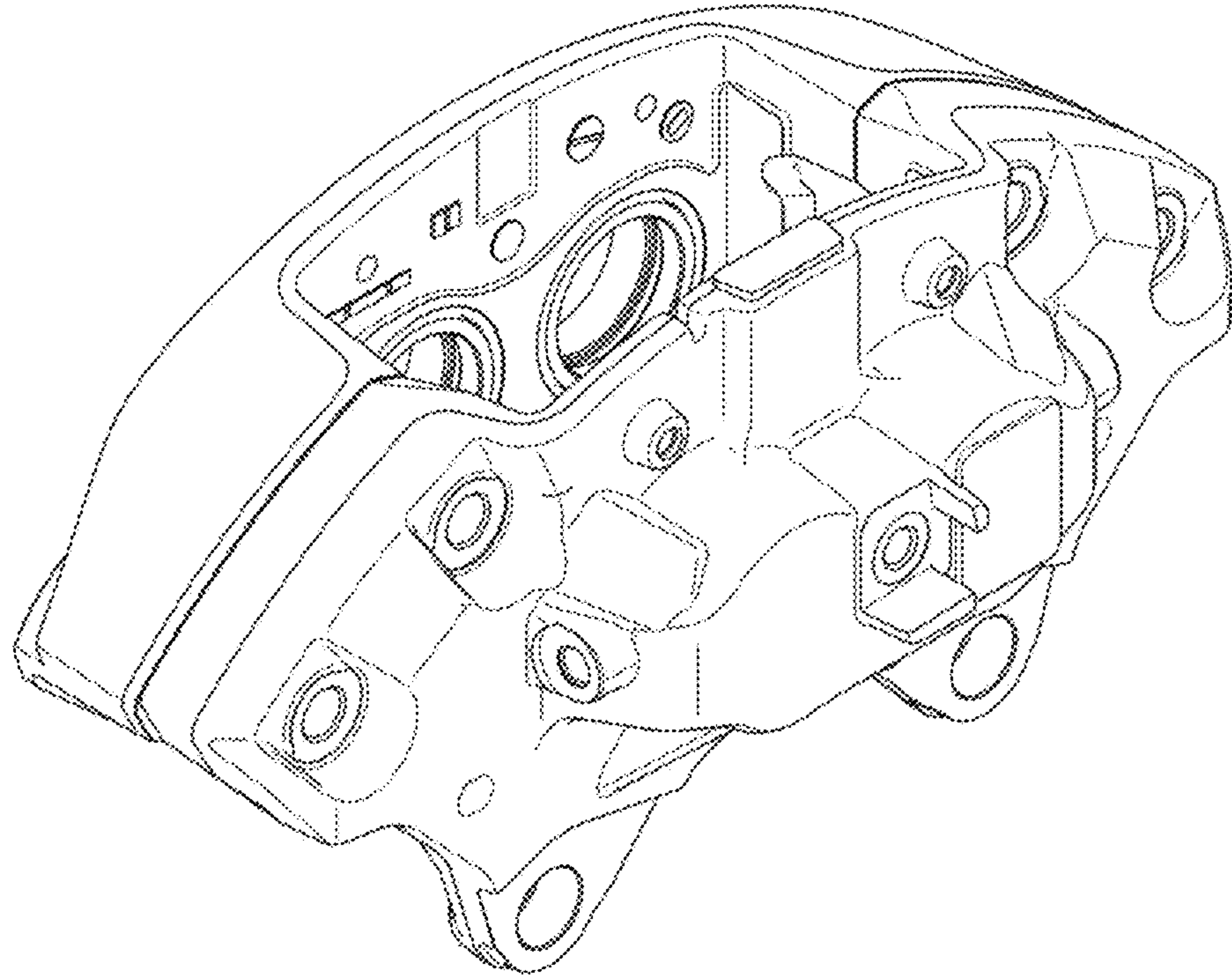
1.1



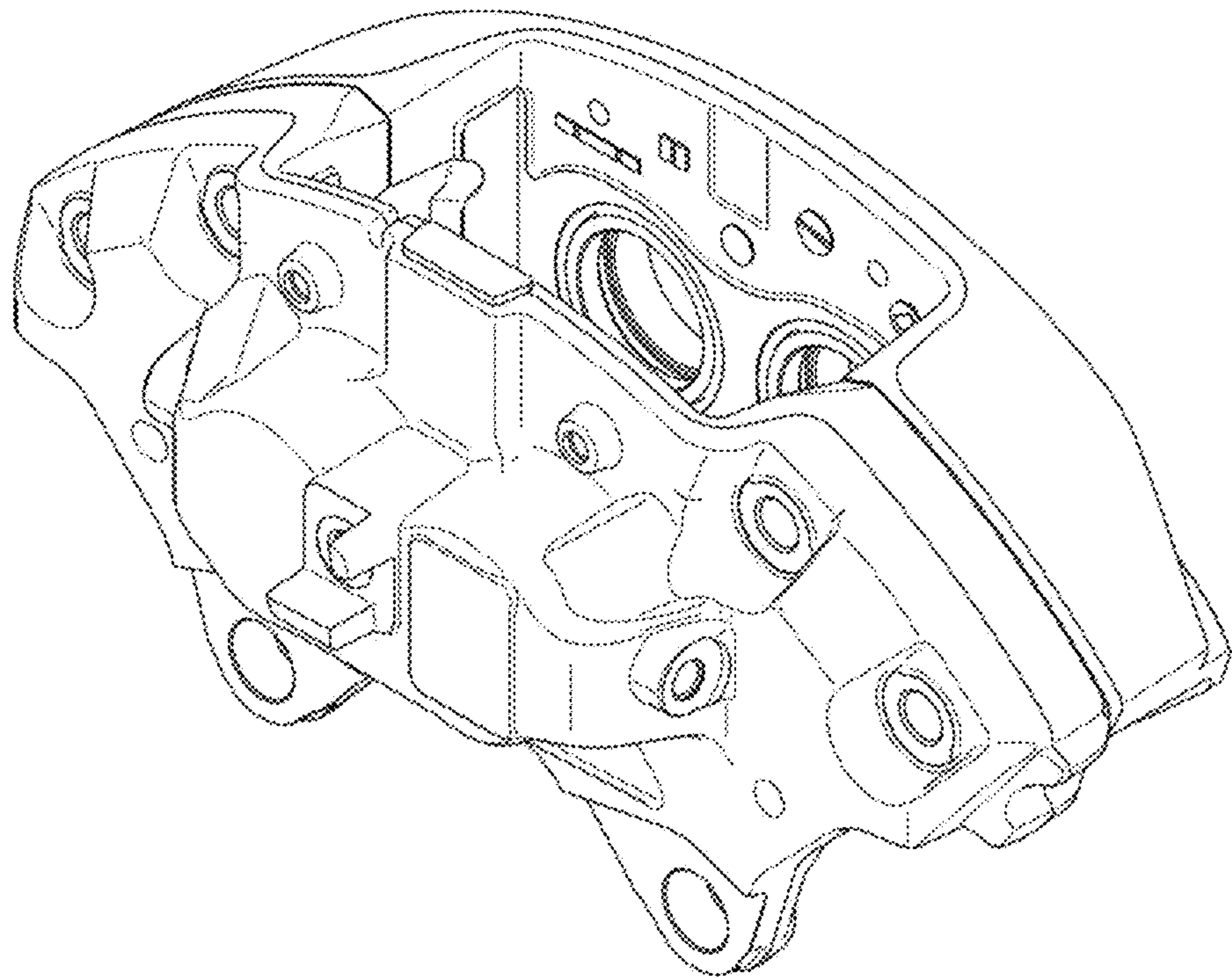
1.2



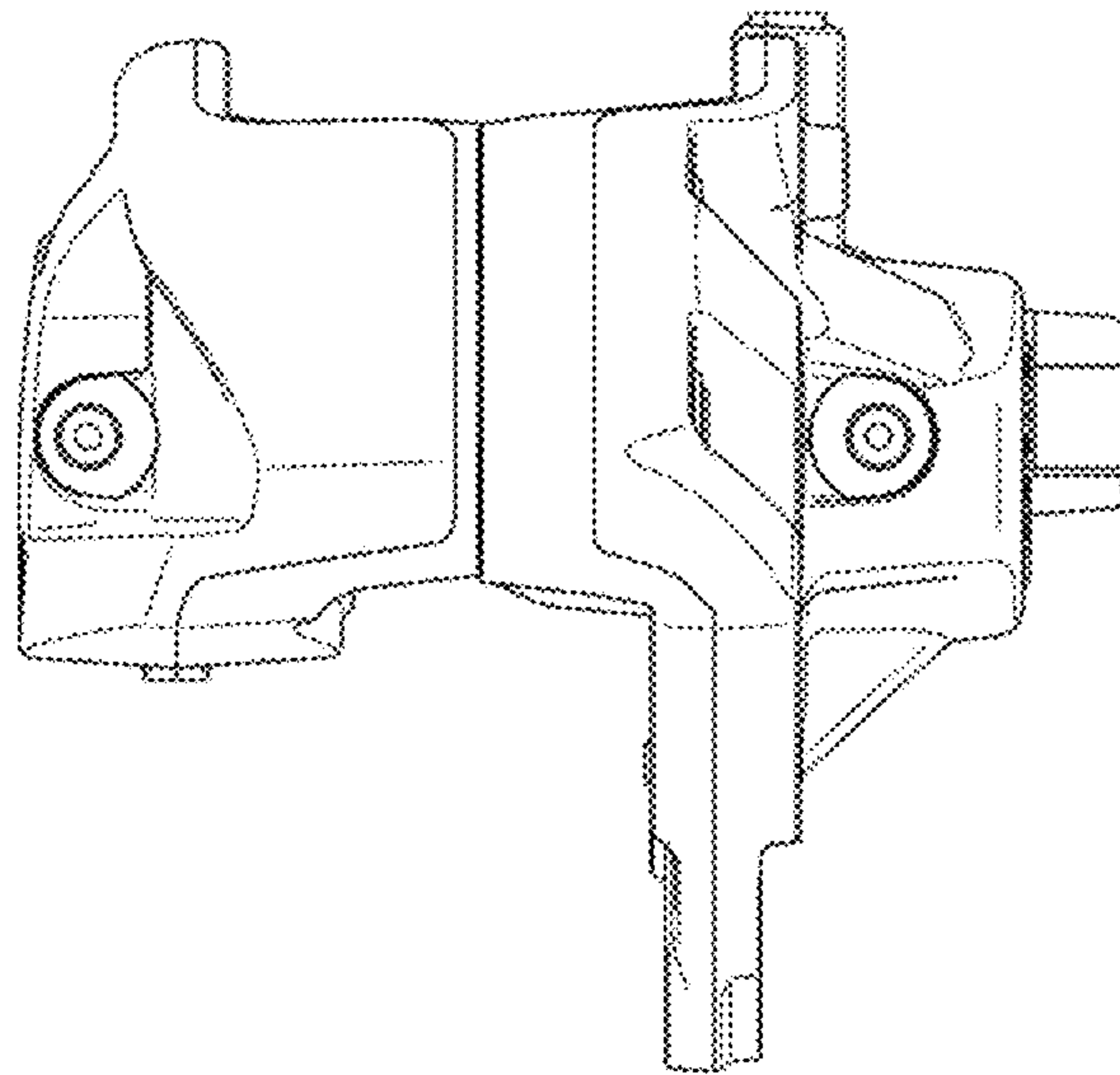
1.3



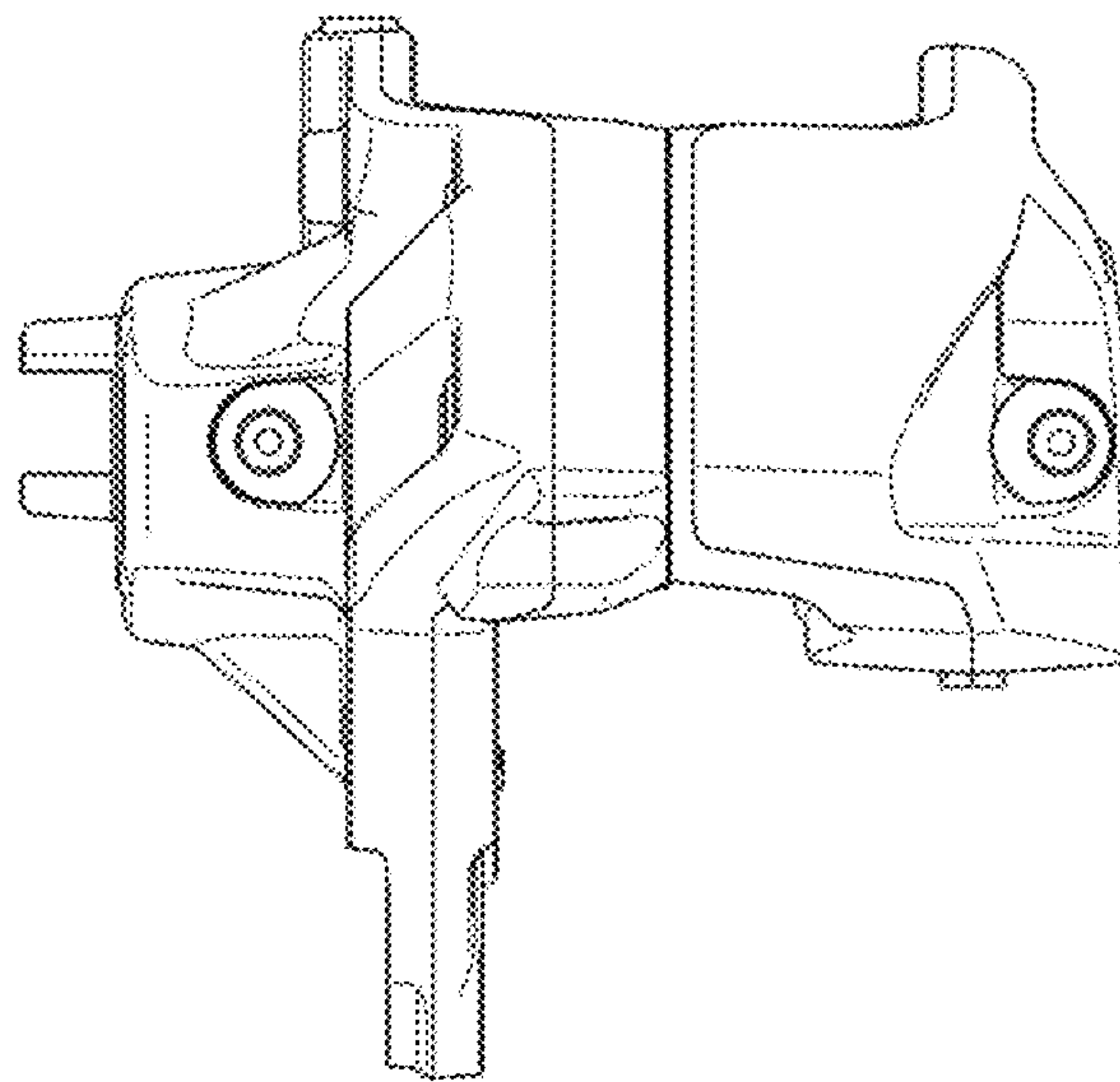
1.4



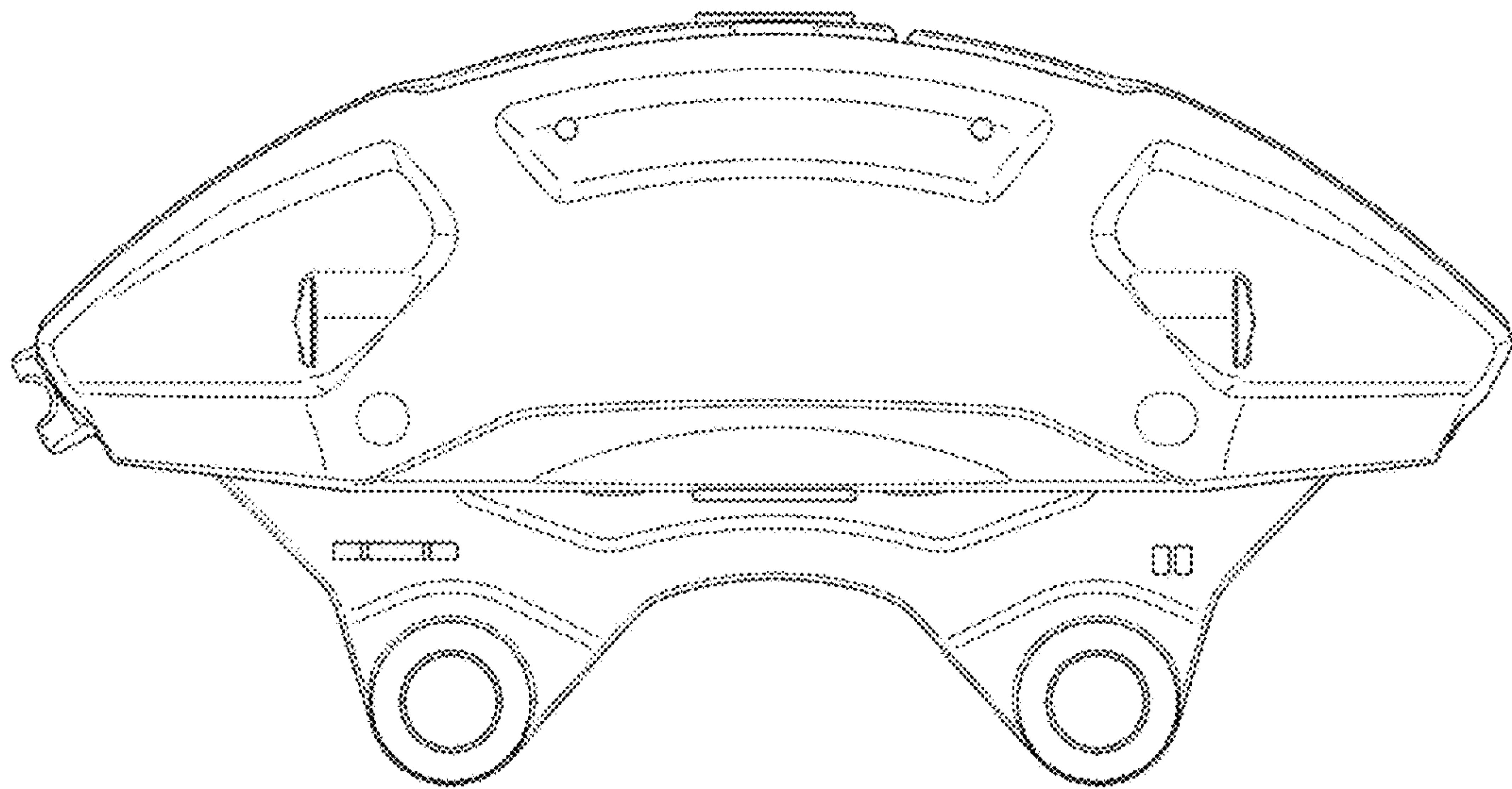
1.5



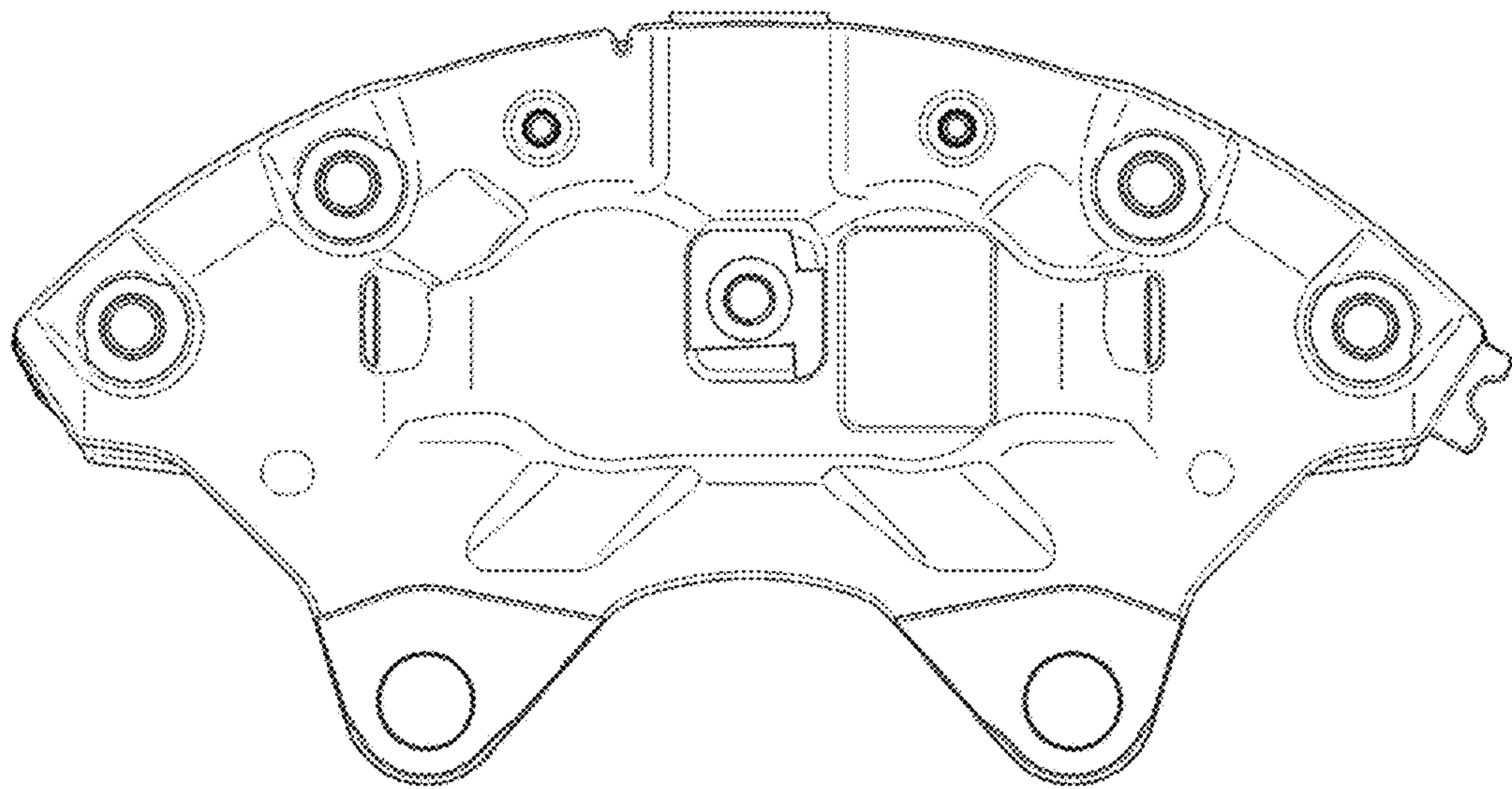
1.6



1.7



1.8



1.9

