



US00D931168S

(12) **United States Design Patent**
Andersen

(10) **Patent No.:** **US D931,168 S**

(45) **Date of Patent:** **** Sep. 21, 2021**

- (54) **STEERING WHEEL SPINNER**
- (71) Applicant: **Douglas E. Andersen**, Santaquin, UT (US)
- (72) Inventor: **Douglas E. Andersen**, Santaquin, UT (US)
- (**) Term: **15 Years**
- (21) Appl. No.: **29/721,655**
- (22) Filed: **Jan. 22, 2020**
- (51) **LOC (13) Cl.** **12-16**
- (52) **U.S. Cl.**
USPC **D12/177**
- (58) **Field of Classification Search**
USPC D12/174, 175, 176, 177, 179, 190, 192, D12/195, 223, 400; D14/414; D21/333, D21/561; D8/300, 301, 302, 303, 307, D8/312
CPC ... B60R 21/05; B60R 21/203; B60R 21/2037; B60R 21/215; B60R 21/2155; B60R 2021/21543; B62D 1/00; B62D 1/02; B62D 1/04; B62D 1/10; B62D 1/11; B62D 1/043; B62D 1/046; B62D 1/06; B62D 1/065; B60Q 1/0082; A61F 4/00; G05G 1/10; E05B 1/0007; E05B 1/0015; B60K 37/06; A47B 95/02
See application file for complete search history.

- 2,317,307 A * 4/1943 Snow B62D 1/043 74/557
- 2,331,588 A * 10/1943 Woodson B62D 1/043 74/557
- 2,432,262 A 12/1947 Thorp
- 3,776,064 A * 12/1973 Rose B62D 1/043 74/557

(Continued)

FOREIGN PATENT DOCUMENTS

- CN 201201638 Y 3/2009
- CN 206740403 U 12/2017
- CN 208233147 U 12/2018

OTHER PUBLICATIONS

Steering wheel circulator. Translation [online]. Google Patents [retrieved on Sep. 11, 2019]. Retrieved from the Internet: URL: <<https://patents.google.com/patent/CN206740403U/en?q=steering+column&q=spinner&oq=steering+column+spinner&page=1>>.

(Continued)

Primary Examiner — Christian P. McLean
Assistant Examiner — Adam C Mager
(74) *Attorney, Agent, or Firm* — Cramer Patent & Design PLLC; Aaron R. Cramer

(57) **CLAIM**

The ornamental design for a steering wheel spinner, as shown and described.

(56) **References Cited**

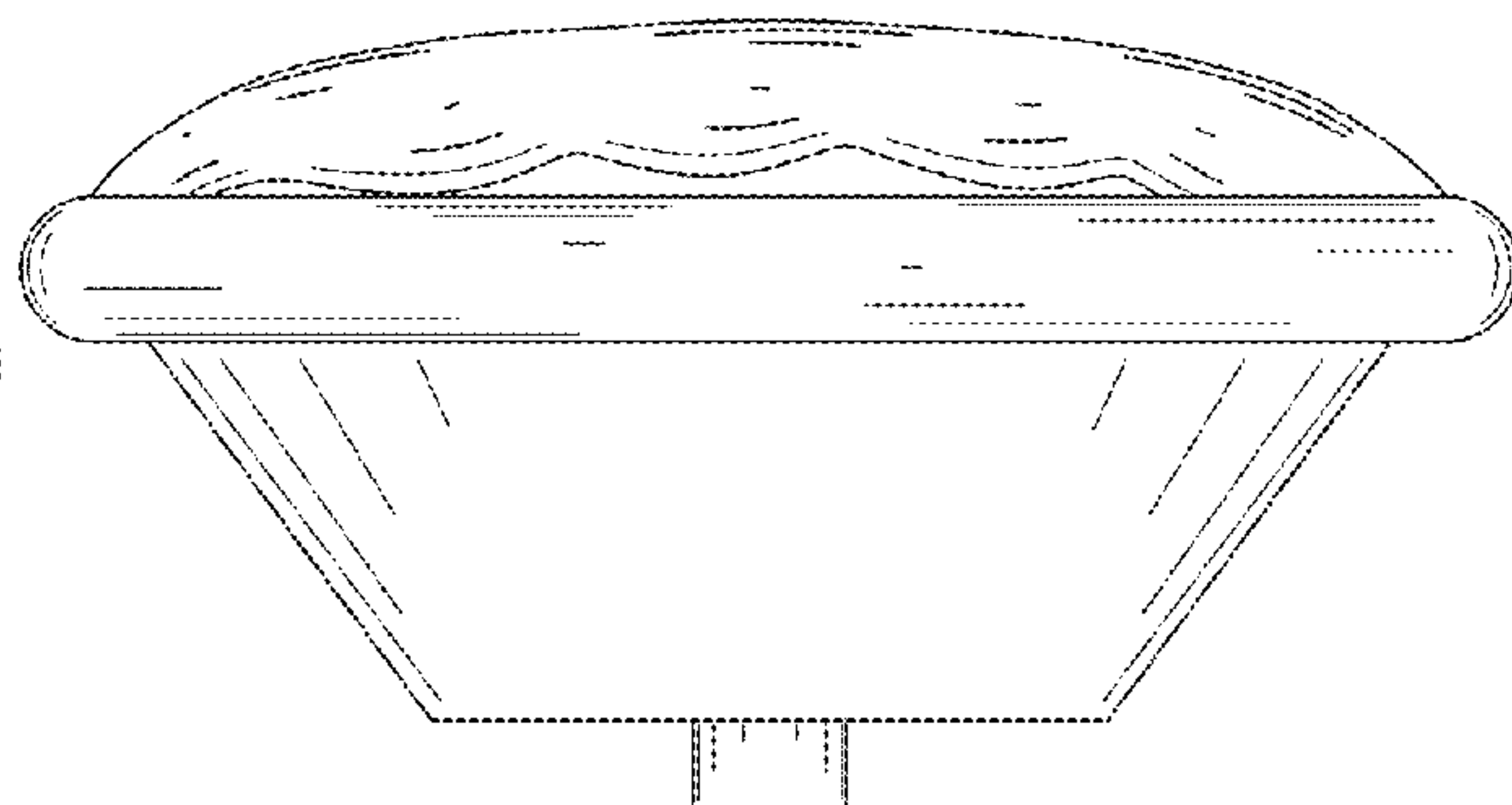
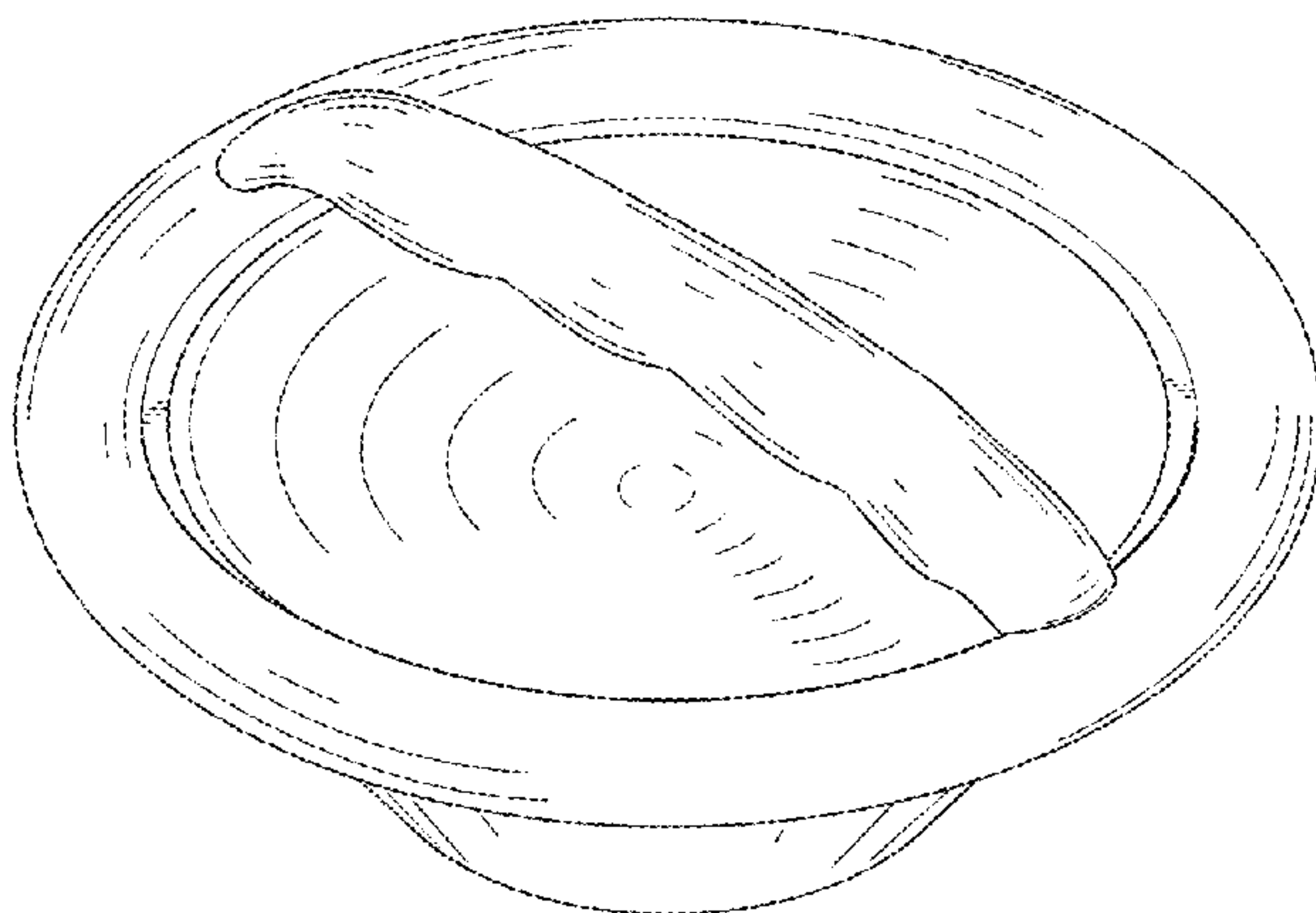
U.S. PATENT DOCUMENTS

- 1,806,343 A * 5/1931 Geyer B62D 1/043 74/557
- 2,168,961 A * 8/1939 Ragan B62D 1/043 74/557
- 2,172,121 A * 9/1939 Buchanan B62D 1/043 74/557
- 2,274,069 A * 2/1942 Johnson B62D 1/043 74/557
- 2,305,527 A * 12/1942 James B62D 1/043 74/557

DESCRIPTION

FIG. 1 is a perspective top front right view of a steering wheel spinner, showing my new design; FIG. 2 is a front elevation view thereof, wherein a rear elevation view is an identical image thereof; FIG. 3 is a right elevation view thereof, wherein a left elevation view is an identical image thereof; FIG. 4 is a top plan view thereof; and, FIG. 5 is a bottom plan view thereof.

1 Claim, 4 Drawing Sheets



(56)

References Cited

U.S. PATENT DOCUMENTS

6,151,987 A * 11/2000 Porter G05G 1/10
16/422
6,161,449 A * 12/2000 Fujimori A61F 4/00
74/557
6,343,526 B2 * 2/2002 Reicks B62D 1/043
74/557
6,564,897 B2 5/2003 Dammeyer
D745,097 S * 12/2015 Webb D21/682
10,377,411 B2 8/2019 Aoki
10,399,599 B2 9/2019 Zegelaar et al.
10,829,142 B1 * 11/2020 Andersen B60R 21/203

OTHER PUBLICATIONS

Steering wheel rotary device and steering wheel sheath equipped therewith. Translation [online]. Google Patents [retrieved on Sep. 11, 2019], Retrieved from the Internet: URL: <<https://patents.google.com/patent/CN201201638Y/en?q=steering+column&q=spinner&oq=steering+column+spinner>>.

A kind of industrial vehicle with accurate steering adjustment structure. Translation [online], Google Patents [retrieved on Sep. 11, 2019], Retrieved from the Internet: URL: <<https://patents.google.com/patent/CN208233147U/en?q=steering+column&q=spinner&oq=steering+column+spinner>>.

* cited by examiner

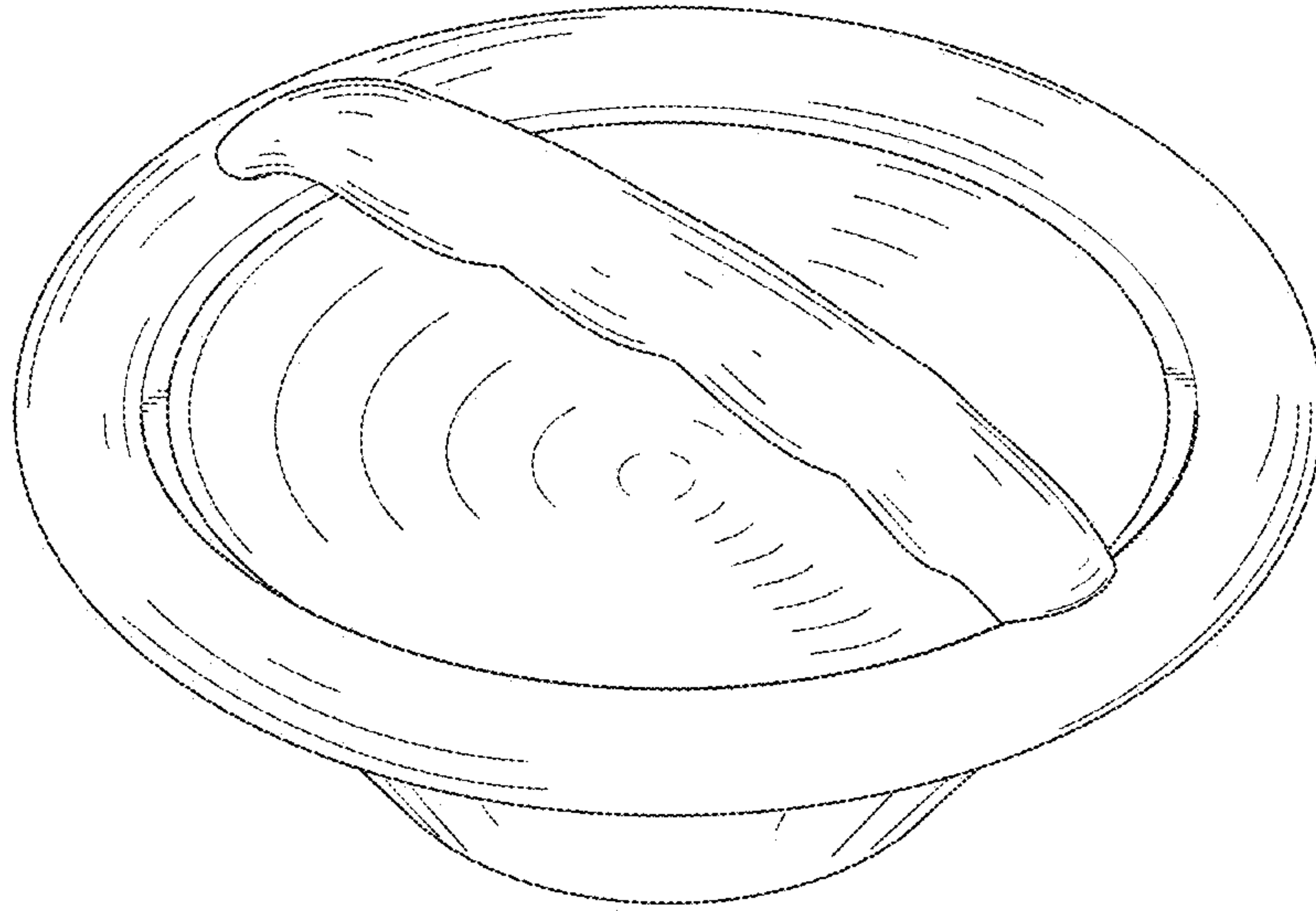


FIG. 1

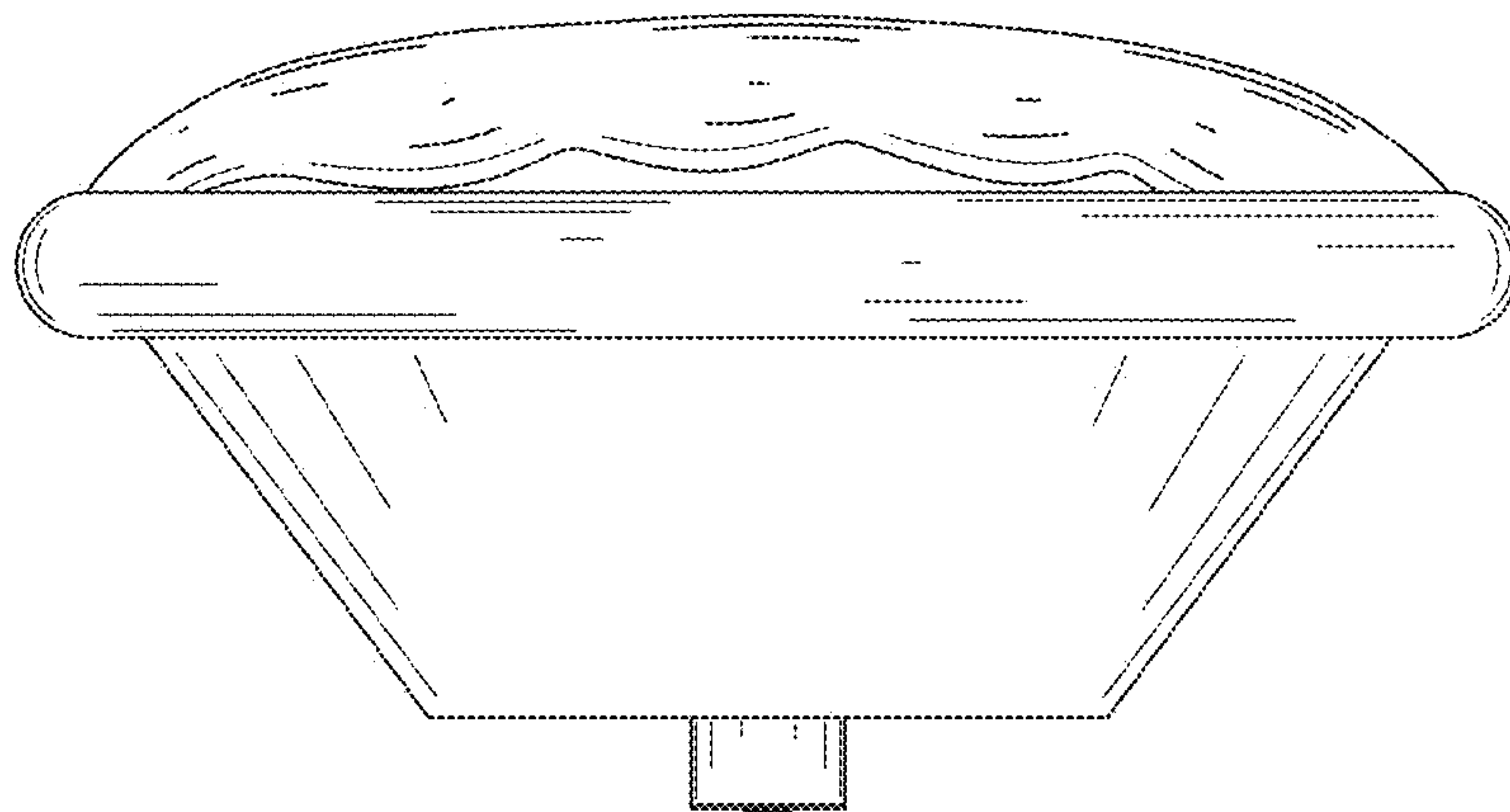


FIG. 2

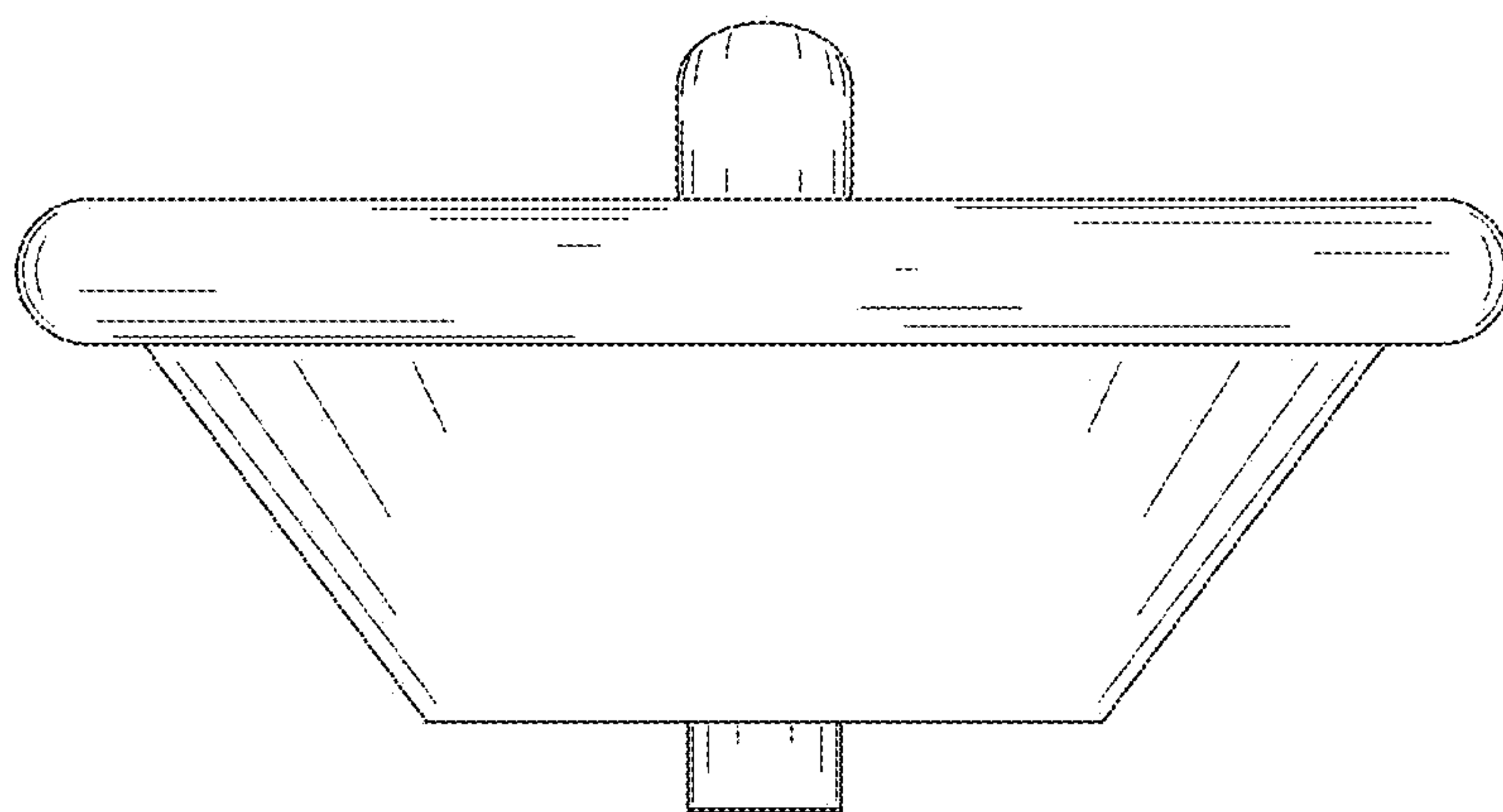


FIG. 3

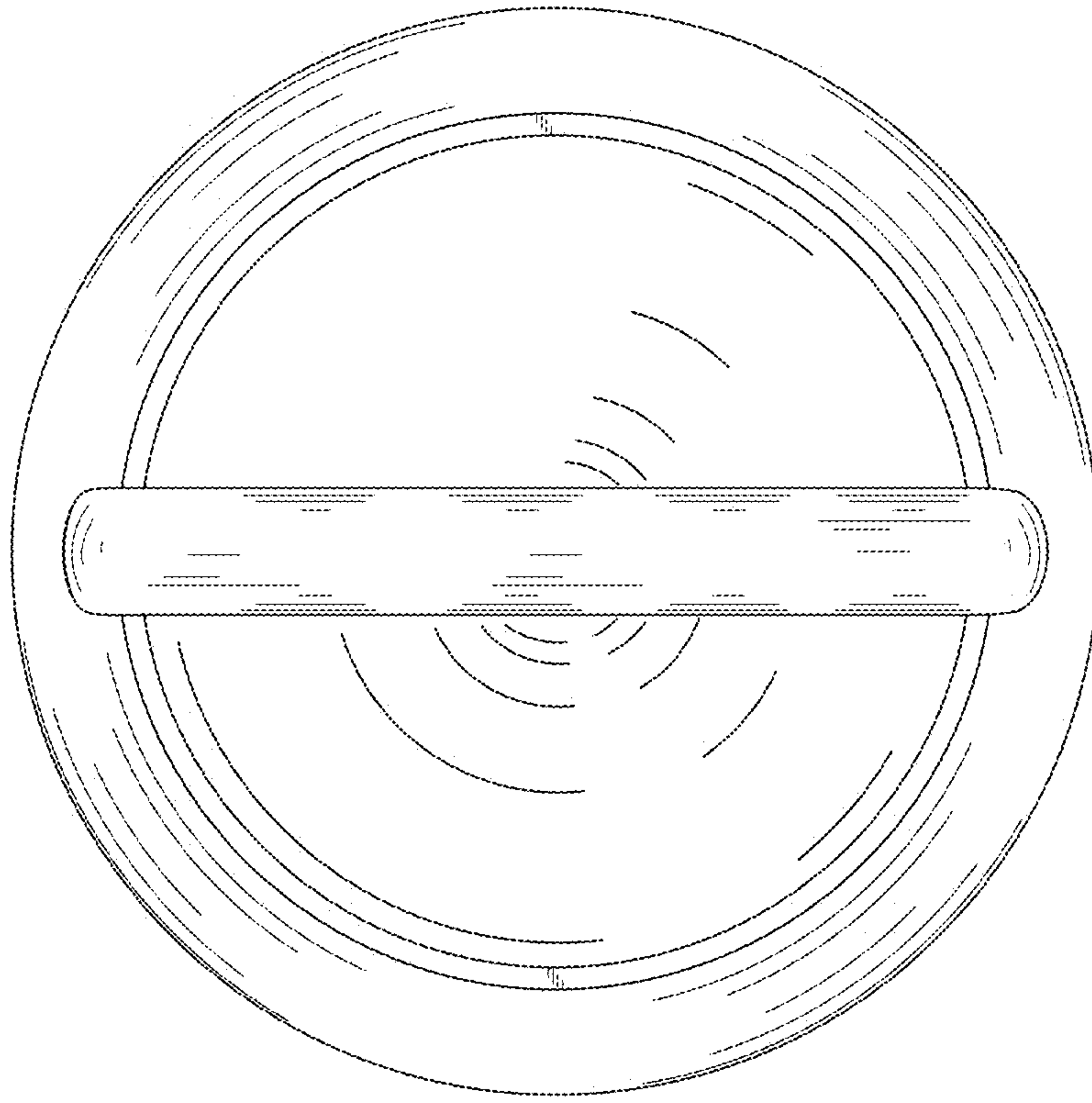


FIG. 4

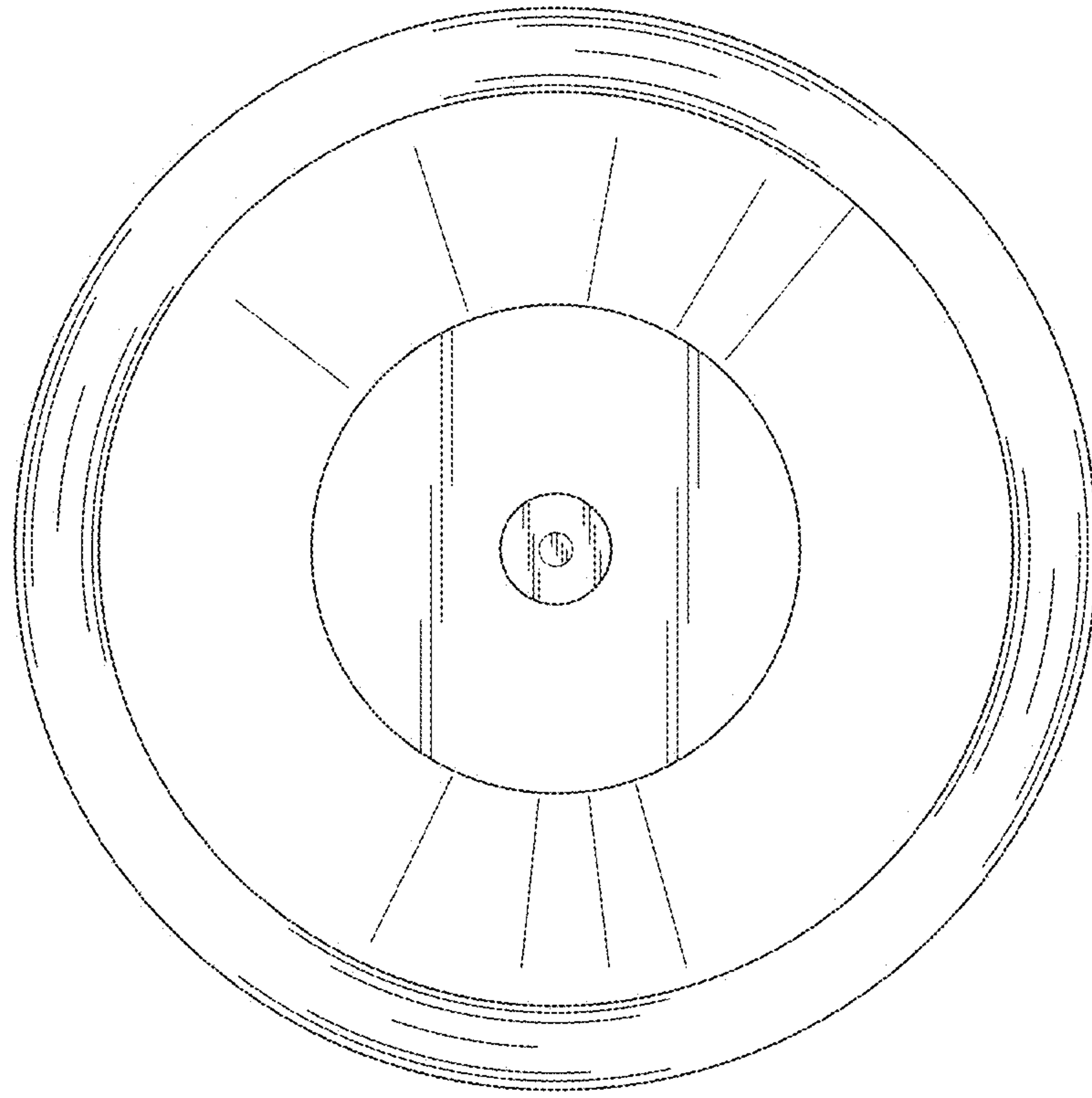


FIG. 5