



US00D931167S

(12) **United States Design Patent**  
**Kim et al.**

(10) **Patent No.:** **US D931,167 S**

(45) **Date of Patent:** **\*\* Sep. 21, 2021**

(54) **STEERING WHEEL FOR AUTOMOBILE**

(71) Applicant: **LG ELECTRONICS INC.**, Seoul (KR)

(72) Inventors: **Byungkyu Kim**, Seoul (KR); **Hansoo Kim**, Seoul (KR); **Inkoo Shim**, Seoul (KR); **Seunghwan Song**, Seoul (KR); **Jinhee Kim**, Seoul (KR)

(73) Assignee: **LG Electronics Inc.**, Seoul (KR)

(\*\*) Term: **15 Years**

(21) Appl. No.: **29/744,117**

(22) Filed: **Jul. 27, 2020**

(30) **Foreign Application Priority Data**

Feb. 14, 2020 (KR) ..... 30-2020-0006709

(51) **LOC (13) Cl.** ..... **12-16**

(52) **U.S. Cl.**  
USPC ..... **D12/175**

(58) **Field of Classification Search**  
USPC ..... D12/174, 175, 176, 177, 192, 400;  
D14/414; D21/333  
CPC ..... B60R 21/05; B60R 21/203; B60R 21/215;  
B60R 21/2155; B60R 2021/21543; B62D  
1/00; B62D 1/02; B62D 1/04; B62D  
1/043; B62D 1/046; B62D 1/06; B62D  
1/065; B60Q 1/0082  
See application file for complete search history.

(56) **References Cited**

**U.S. PATENT DOCUMENTS**

- D200,614 S \* 3/1965 Downing et al. .... D12/175
- 4,631,976 A \* 12/1986 Noda ..... B62D 1/065  
219/204
- D297,028 S \* 8/1988 McCann ..... D12/175
- D316,879 S \* 5/1991 Shulman ..... D14/414
- D328,315 S \* 7/1992 Shulman ..... D14/414

- D633,853 S \* 3/2011 Aruga ..... D12/345
- D723,448 S \* 3/2015 Woo ..... D12/400
- D737,184 S \* 8/2015 Oosuda ..... D12/175
- D787,994 S \* 5/2017 Carbone ..... D12/175

(Continued)

**FOREIGN PATENT DOCUMENTS**

- CN 112046393 A \* 12/2020 ..... B60Q 5/003
- DE 102008045921 A1 \* 5/2009 ..... B62D 1/06
- JP 2020063016 A \* 4/2020 ..... B62D 1/06

**OTHER PUBLICATIONS**

Toyota USA Newsroom, Published Jul. 1, 2020 [online], [retrieved on Jan. 15, 2021]. Retrieved from the Internet: <https://pressroom.toyota.com/how-our-posture-can-help-inform-future-safety-systems/> (Year: 2021).\*

*Primary Examiner* — Christian P. McLean

*Assistant Examiner* — Adam C Mager

(74) *Attorney, Agent, or Firm* — Birch, Stewart, Kolasch & Birch, LLP

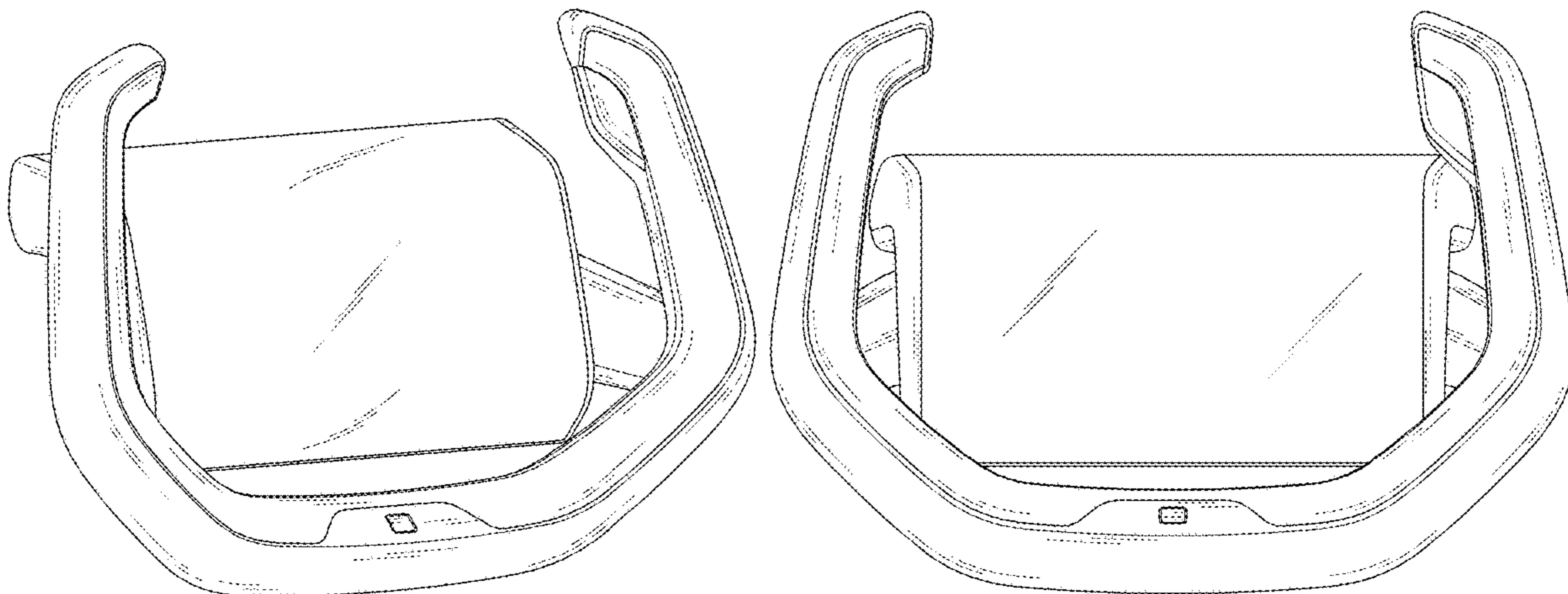
(57) **CLAIM**

We claim the ornamental design for a steering wheel for automobile, as shown and described.

**DESCRIPTION**

FIG. 1 is a perspective view of a steering wheel for automobile showing the new design;  
FIG. 2 is a front elevation view thereof;  
FIG. 3 is a rear elevation view thereof;  
FIG. 4 is a left-side elevation view thereof;  
FIG. 5 is a right-side elevation view thereof;  
FIG. 6 is a top plan view thereof;  
FIG. 7 is a bottom plan view thereof; and,  
FIG. 8 is a perspective view showing a state of use thereof.  
The broken lines in the drawing figures are for purpose of illustrating an environment of use and form no part of the claimed design.

**1 Claim, 8 Drawing Sheets**



(56)

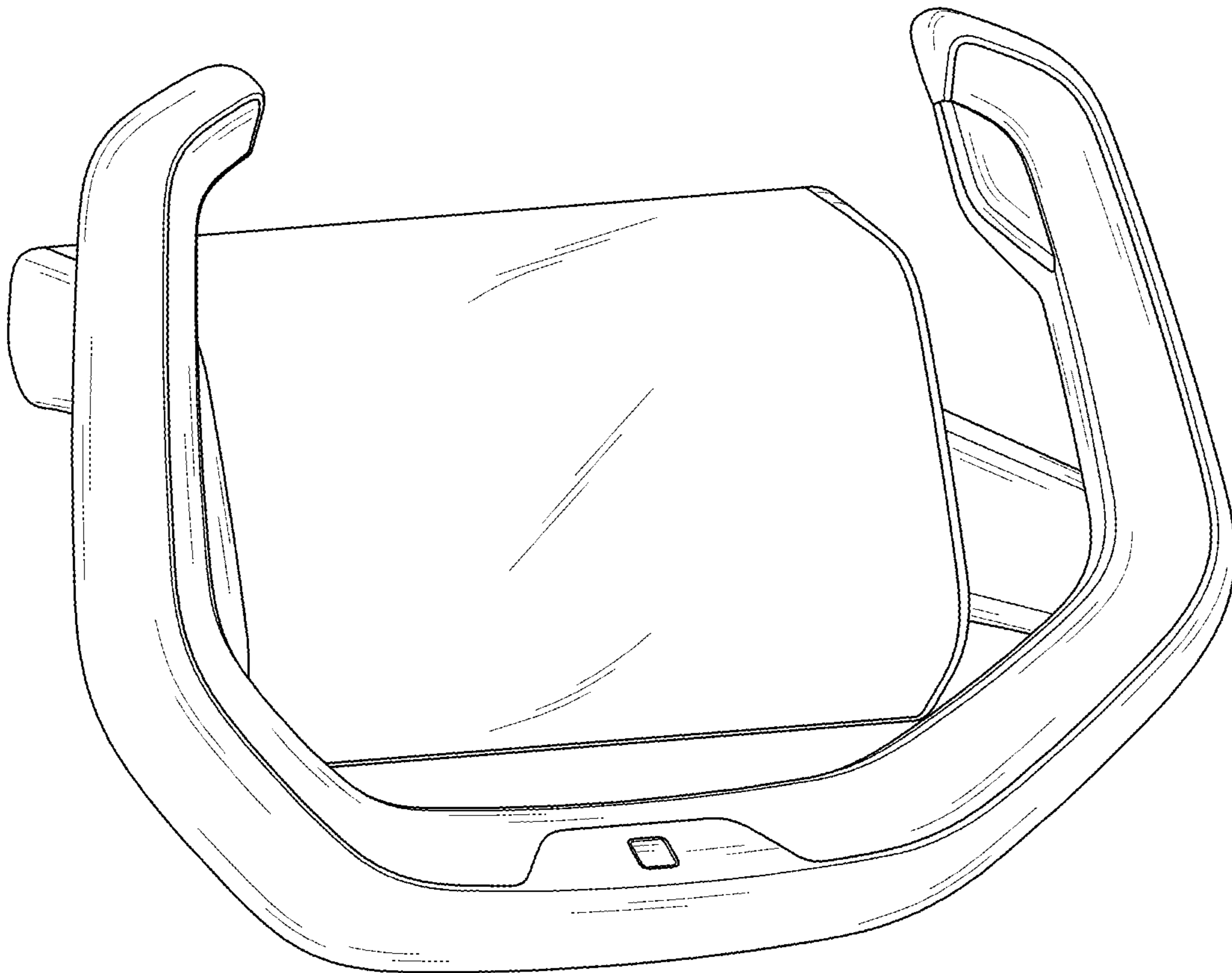
**References Cited**

U.S. PATENT DOCUMENTS

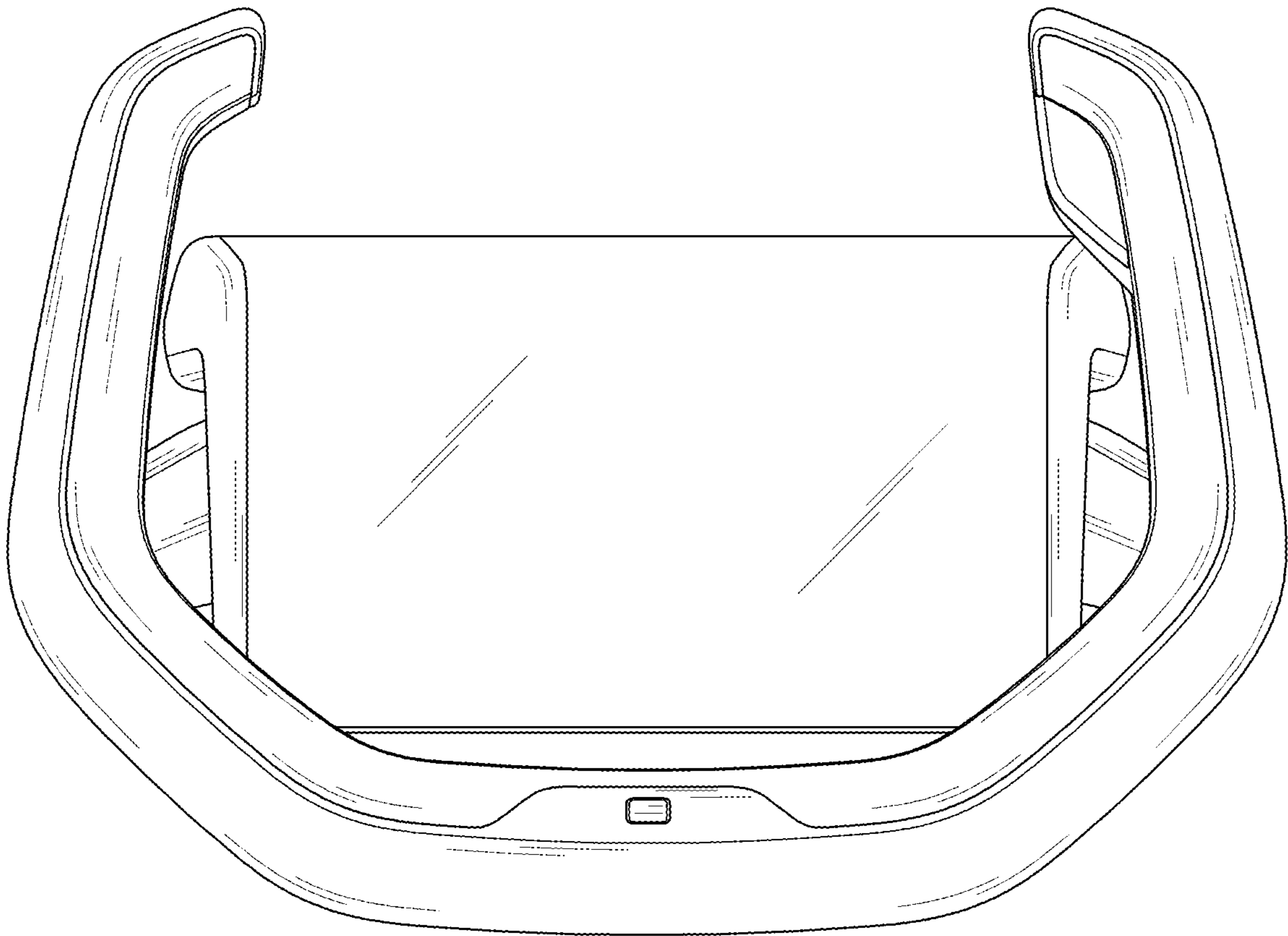
D816,567 S \* 5/2018 Yoo ..... D12/176  
D824,302 S \* 7/2018 Cadalora ..... D12/177  
D826,237 S \* 8/2018 Cadalora ..... B62D 1/105  
D14/440  
D826,806 S \* 8/2018 Nilsson ..... D12/176  
D839,802 S \* 2/2019 Hilton ..... D12/175  
D853,290 S \* 7/2019 Helmstetter ..... D12/175  
D873,738 S \* 1/2020 Armigliato ..... D12/174  
D893,369 S \* 8/2020 Kafantaris ..... D12/176  
D897,913 S \* 10/2020 Godard ..... D12/175  
D899,328 S \* 10/2020 Roo-Clefas ..... D12/176  
D918,106 S \* 5/2021 Mignot ..... D12/176  
2018/0370556 A1 \* 12/2018 Nakano ..... B60K 37/06  
2019/0071112 A1 \* 3/2019 Toddenroth ..... B60R 21/2032  
2020/0283052 A1 \* 9/2020 Scheick ..... B60K 35/00  
2021/0094497 A1 \* 4/2021 Choi ..... B60R 21/2165  
2021/0107358 A1 \* 4/2021 Shibata ..... B60K 35/00

\* cited by examiner

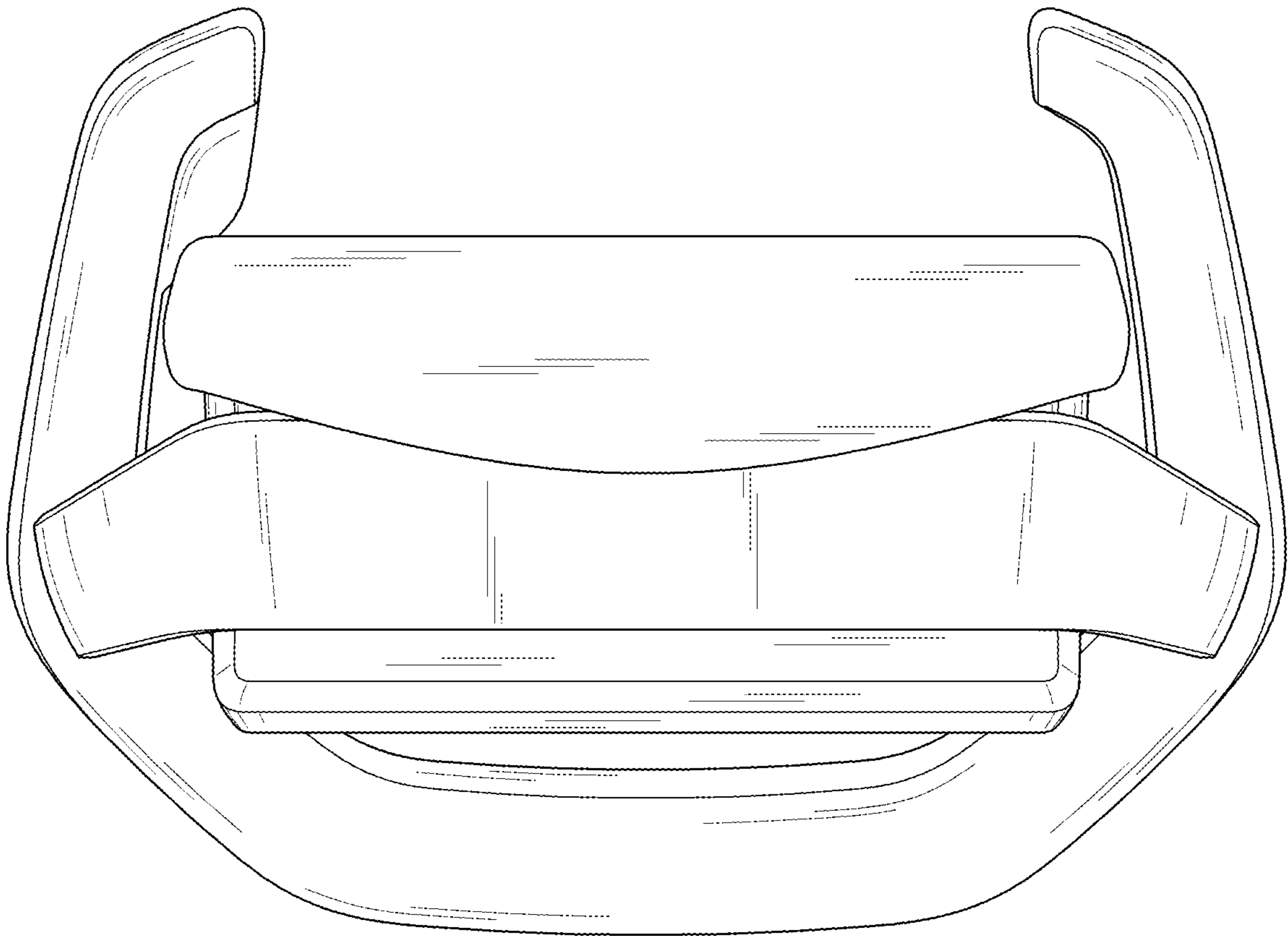
*FIG. 1*



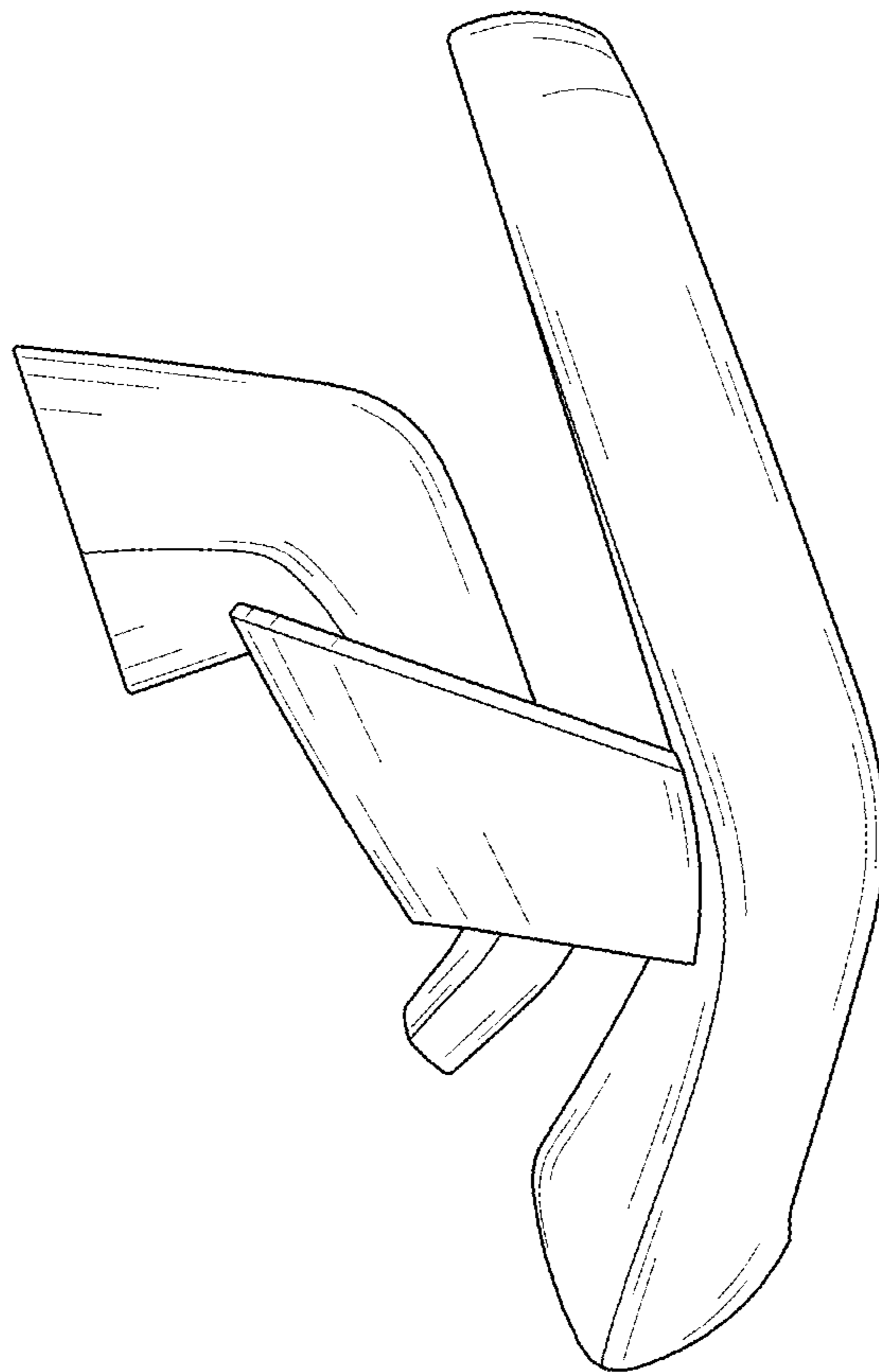
*FIG. 2*



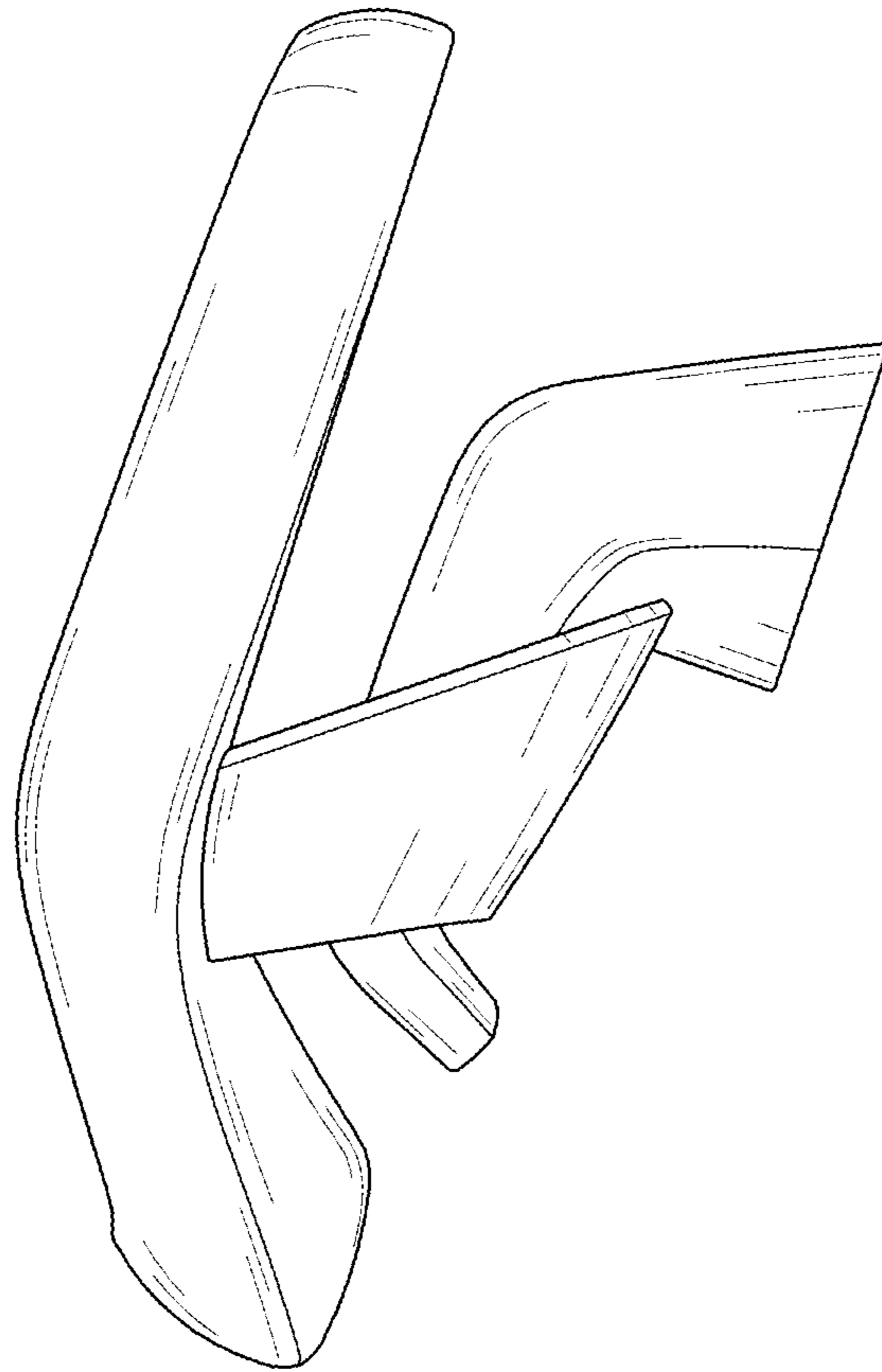
*FIG. 3*



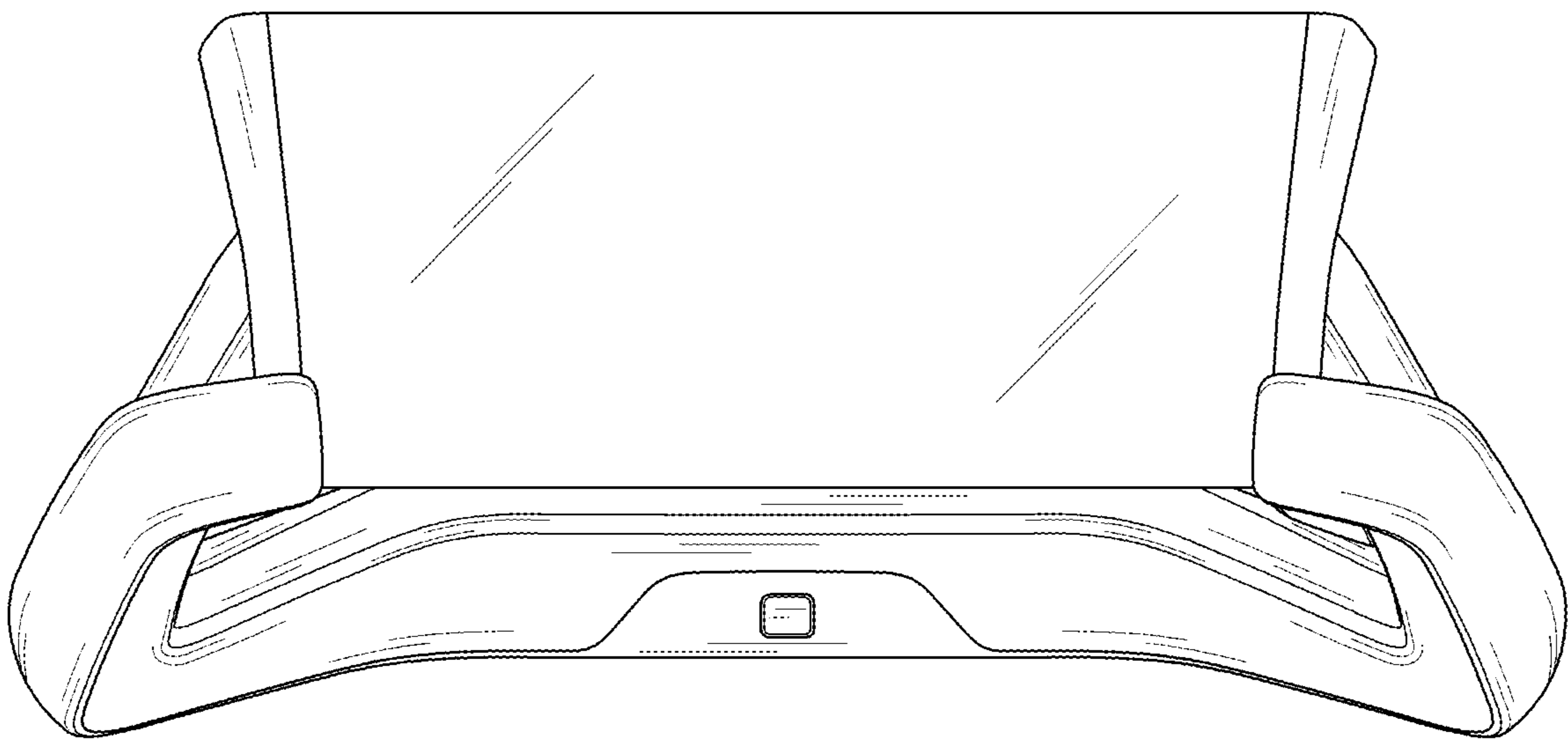
*FIG. 4*



*FIG. 5*



*FIG. 6*





*FIG. 7*

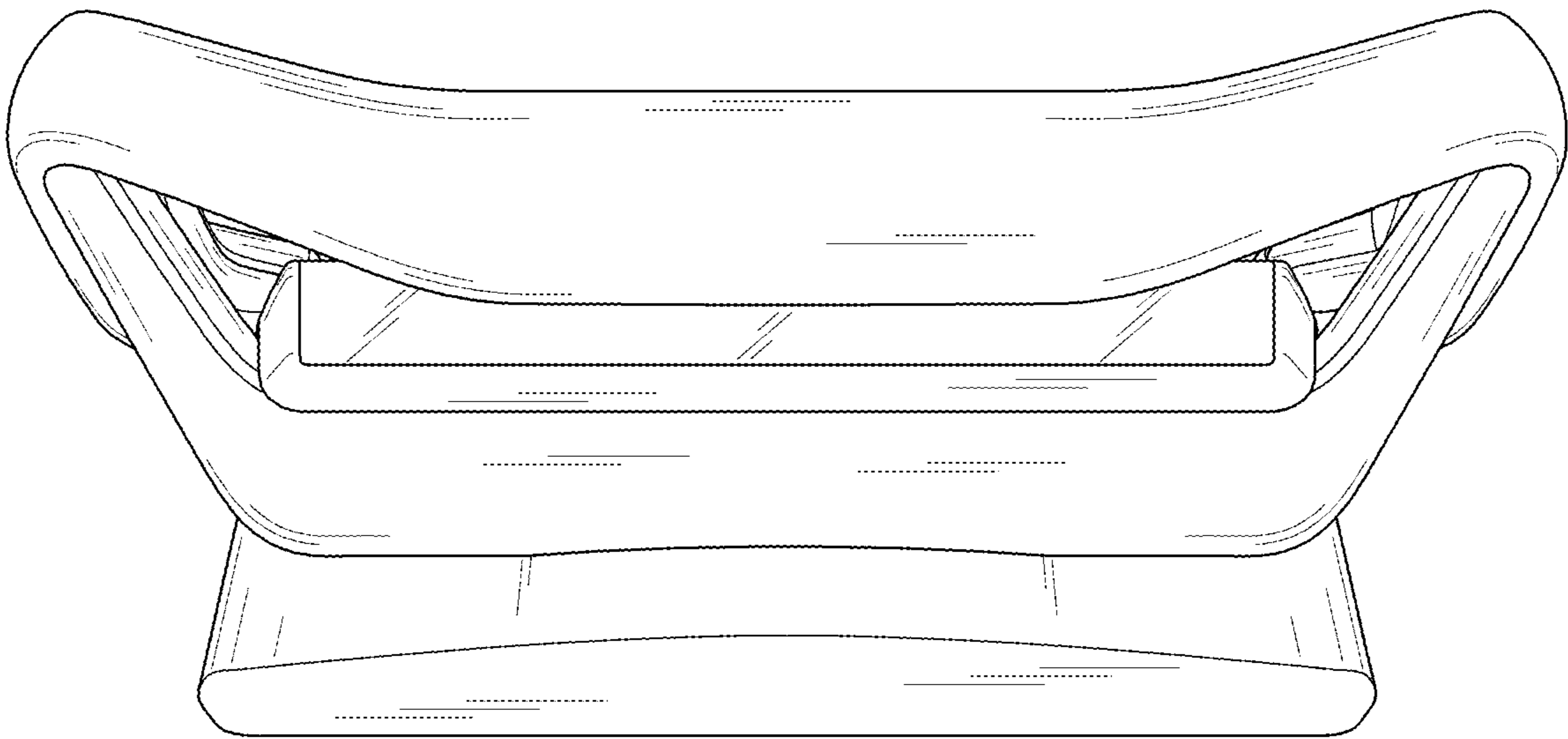


FIG. 8

