



US00D931162S

(12) **United States Design Patent** (10) **Patent No.:** **US D931,162 S**
Forrest (45) **Date of Patent:** **** Sep. 21, 2021**

(54) **REAR BUMPER FOR A VEHICLE**
(71) Applicant: **Bayerische Motoren Werke Aktiengesellschaft, Munich (DE)**
(72) Inventor: **Robert Peter Forrest, Munich (DE)**
(73) Assignee: **Bayerische Motoren Werke Aktiengesellschaft, Munich (DE)**

D856,224 S * 8/2019 Nissl D12/169
D856,376 S * 8/2019 Soe D15/22
D856,872 S * 8/2019 Smith D12/169
D866,418 S * 11/2019 Peplowski D12/169
D867,234 S * 11/2019 Peplowski D12/169
D870,611 S * 12/2019 Tonello D12/169
D887,916 S * 6/2020 Toriyama D12/169
D911,227 S * 2/2021 Al Attar D12/169
D911,228 S * 2/2021 Guille D12/169
D911,230 S * 2/2021 Wietzychowski D12/169
D911,889 S * 3/2021 Sarremejean D12/169

(**) Term: **15 Years**

FOREIGN PATENT DOCUMENTS

(21) Appl. No.: **29/734,743**

EM 001132864-0003 6/2009
WO WO DM/066845 8/2005
WO WO DM/103824 5/2019

(22) Filed: **May 15, 2020**

* cited by examiner

(30) **Foreign Application Priority Data**

Nov. 18, 2019 (DE) 402019101251.6

Primary Examiner — Melody N Brown

(51) **LOC (13) Cl.** **12-16**

(74) *Attorney, Agent, or Firm* — Crowell & Moring LLP

(52) **U.S. Cl.**
USPC **D12/169**

(57) **CLAIM**

(58) **Field of Classification Search**
USPC D12/169, 163, 196, 86, 90-92;
296/180.1, 180.2; 293/102, 115, 117, 120
CPC B60R 19/52; B60R 2019/25; B62D 25/084
See application file for complete search history.

The ornamental design for a rear bumper for a vehicle, as shown and described.

DESCRIPTION

(56) **References Cited**

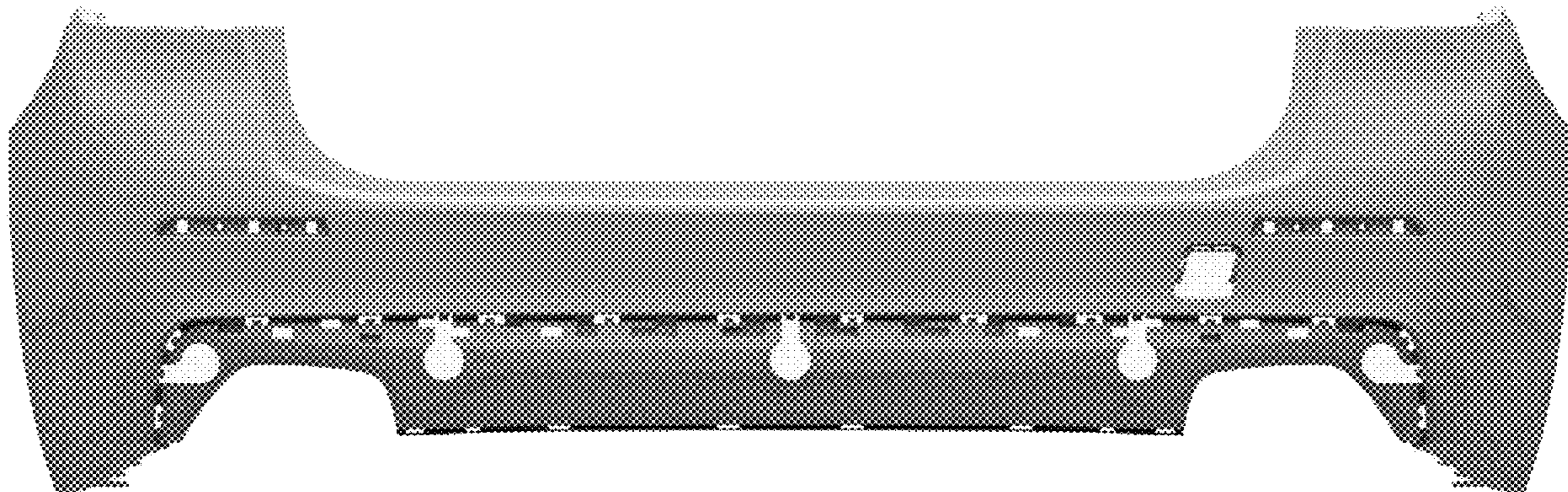
U.S. PATENT DOCUMENTS

D610,499 S 2/2010 Truebsbach
D725,010 S * 3/2015 Takei D12/169
D782,373 S * 3/2017 Curie D12/169
D792,291 S * 7/2017 Suga D12/169
D800,034 S * 10/2017 Kojima D12/169
D802,500 S * 11/2017 Han D12/169
D824,817 S * 8/2018 Morikawa D12/169
D824,818 S * 8/2018 Morikawa D12/169
D825,415 S 8/2018 De Bono
D826,113 S * 8/2018 Kanai D12/169
D840,883 S * 2/2019 Cartabiano D12/169
D841,537 S * 2/2019 Morikawa D12/169

This application contains subject matter related to the following co-pending U.S. design patent application: application Ser. No. 29/734,742, filed herewith and entitled "Rear Bumper for a Vehicle".

FIG. 1 is a front view of a rear bumper for a vehicle according to the design;
FIG. 2 is a left, bottom perspective view thereof;
FIG. 3 is a right, front perspective view thereof;
FIG. 4 is a left side view thereof;
FIG. 5 is a right side view thereof;
FIG. 6 is a top view thereof;
FIG. 7 is a bottom view thereof; and,
FIG. 8 is a rear view thereof.

1 Claim, 8 Drawing Sheets



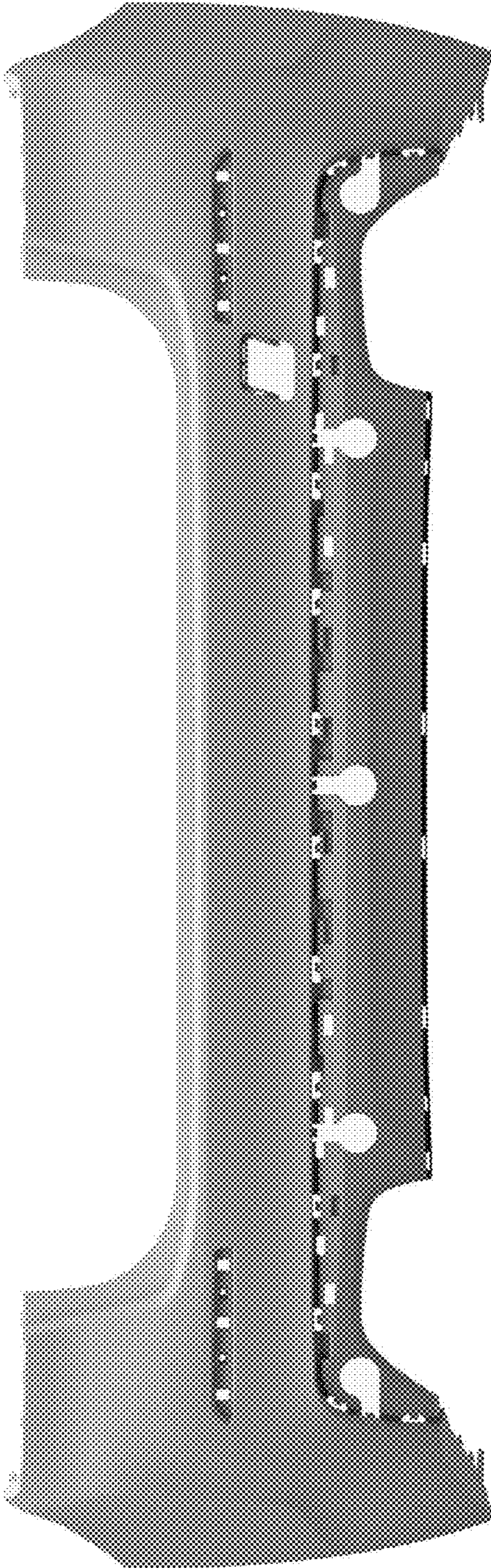


Fig. 1

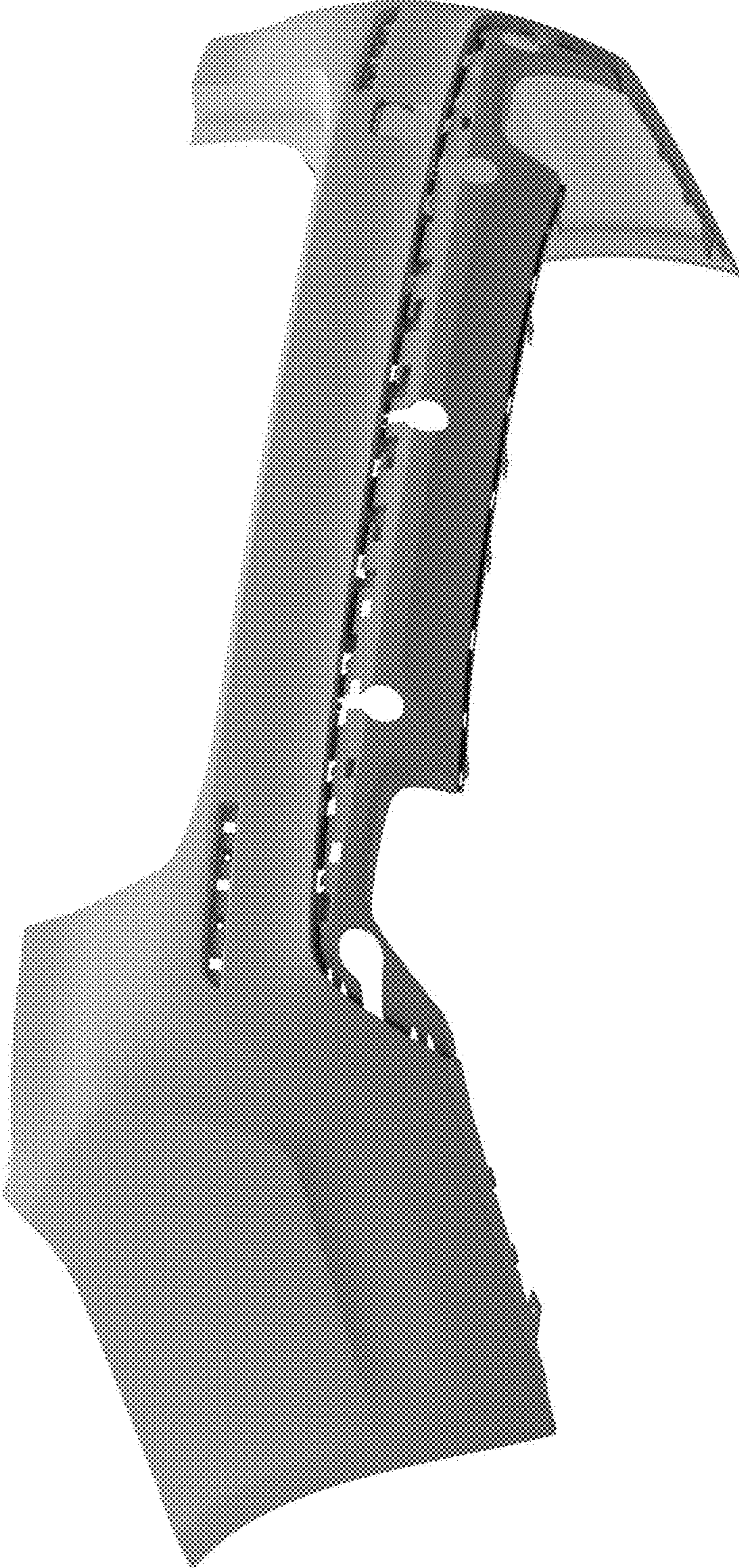


Fig. 2

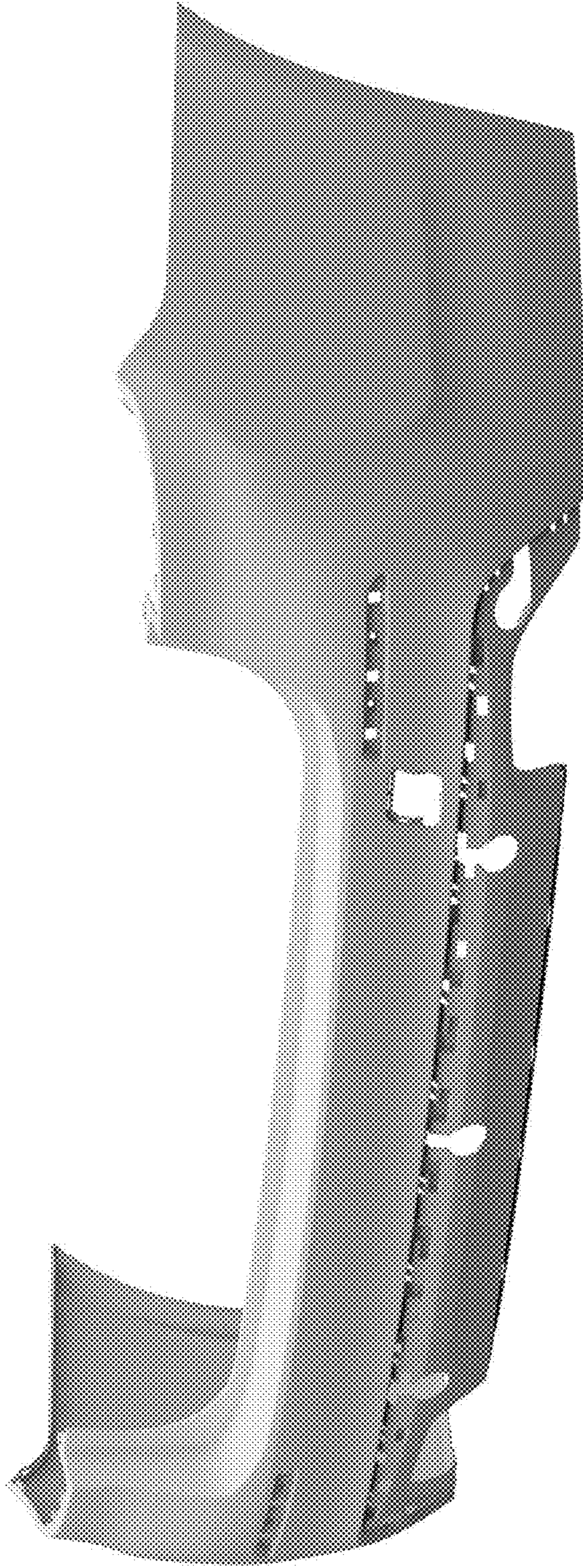


Fig. 3

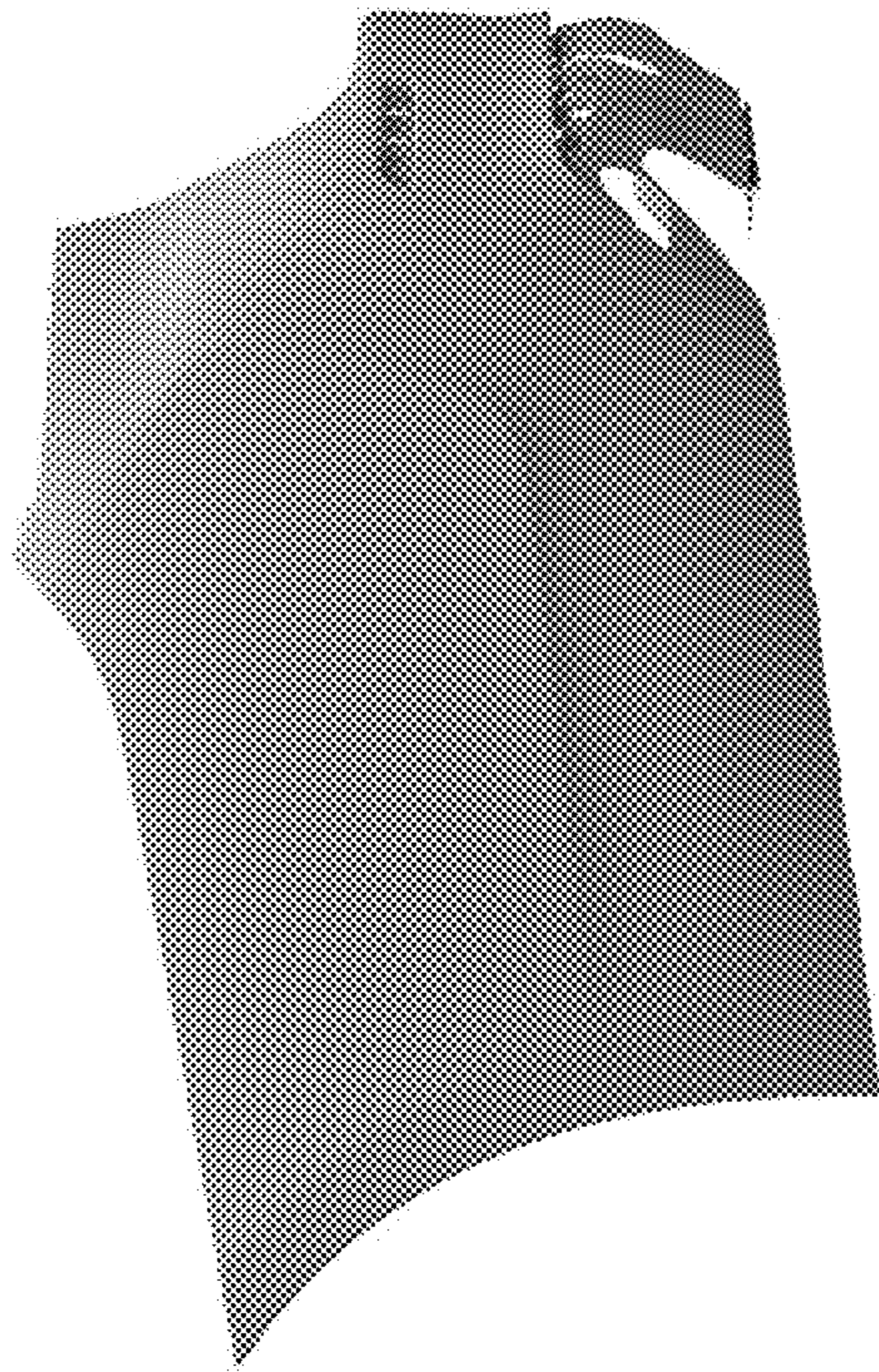


Fig. 4

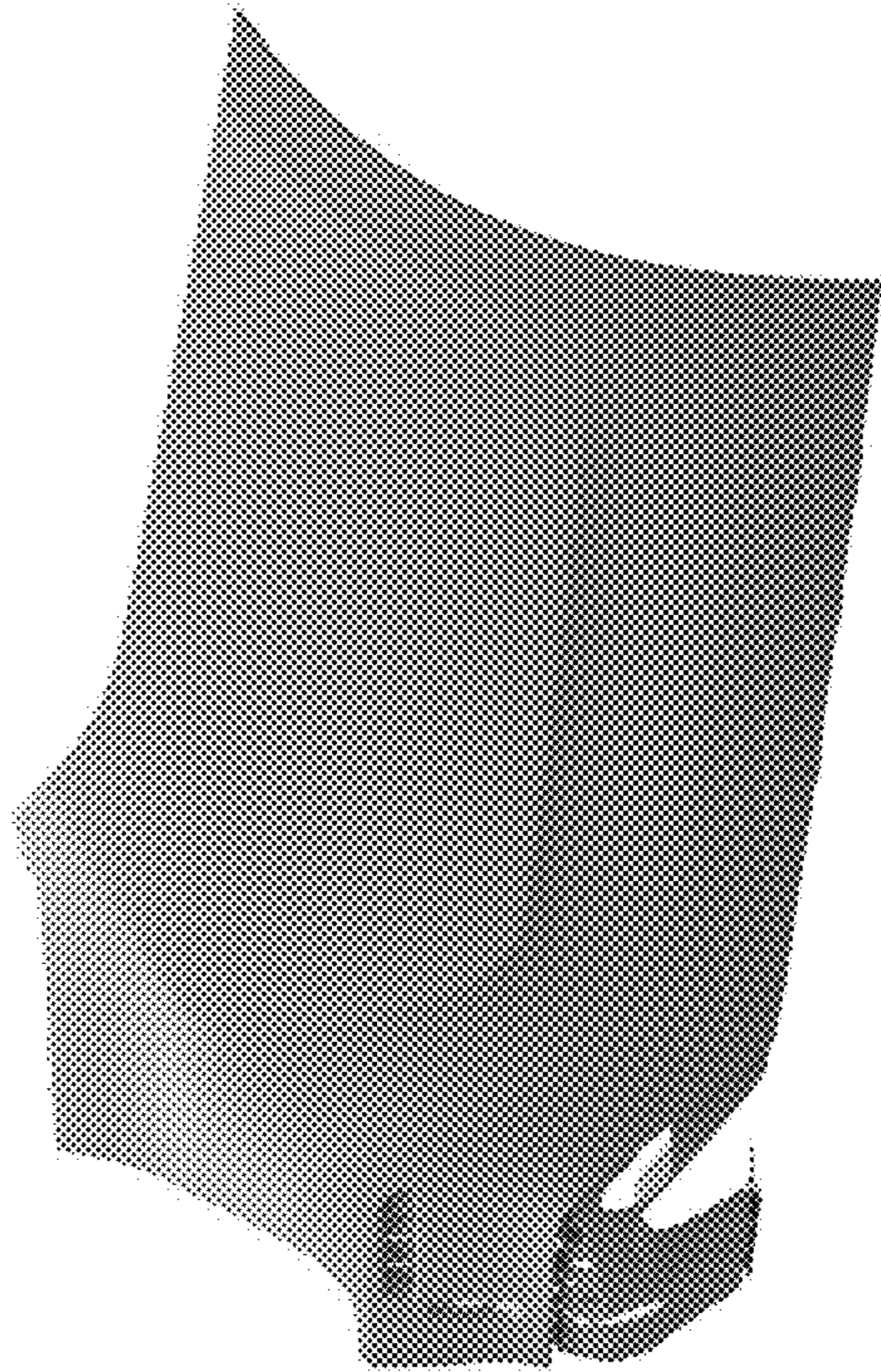


Fig. 5

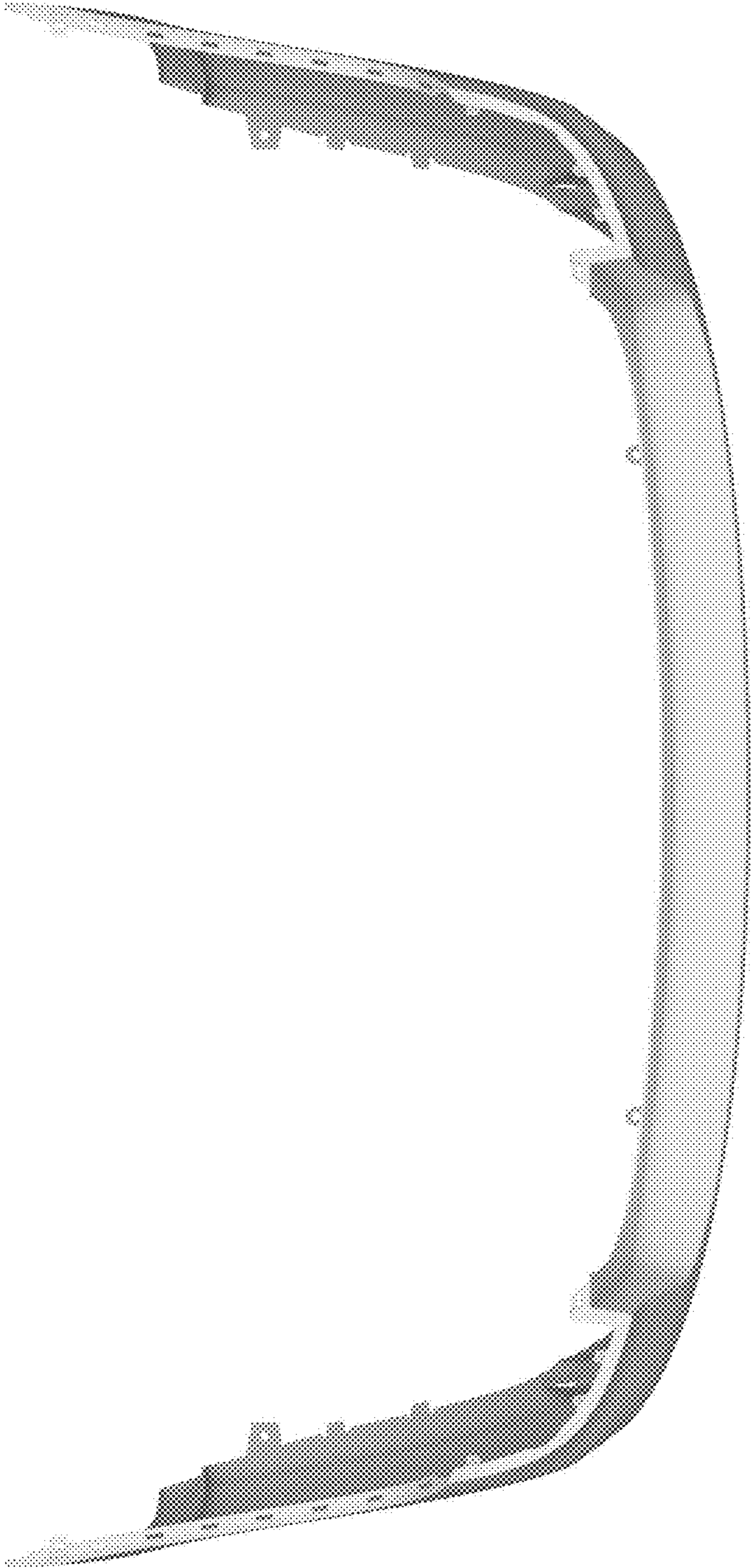


Fig. 6

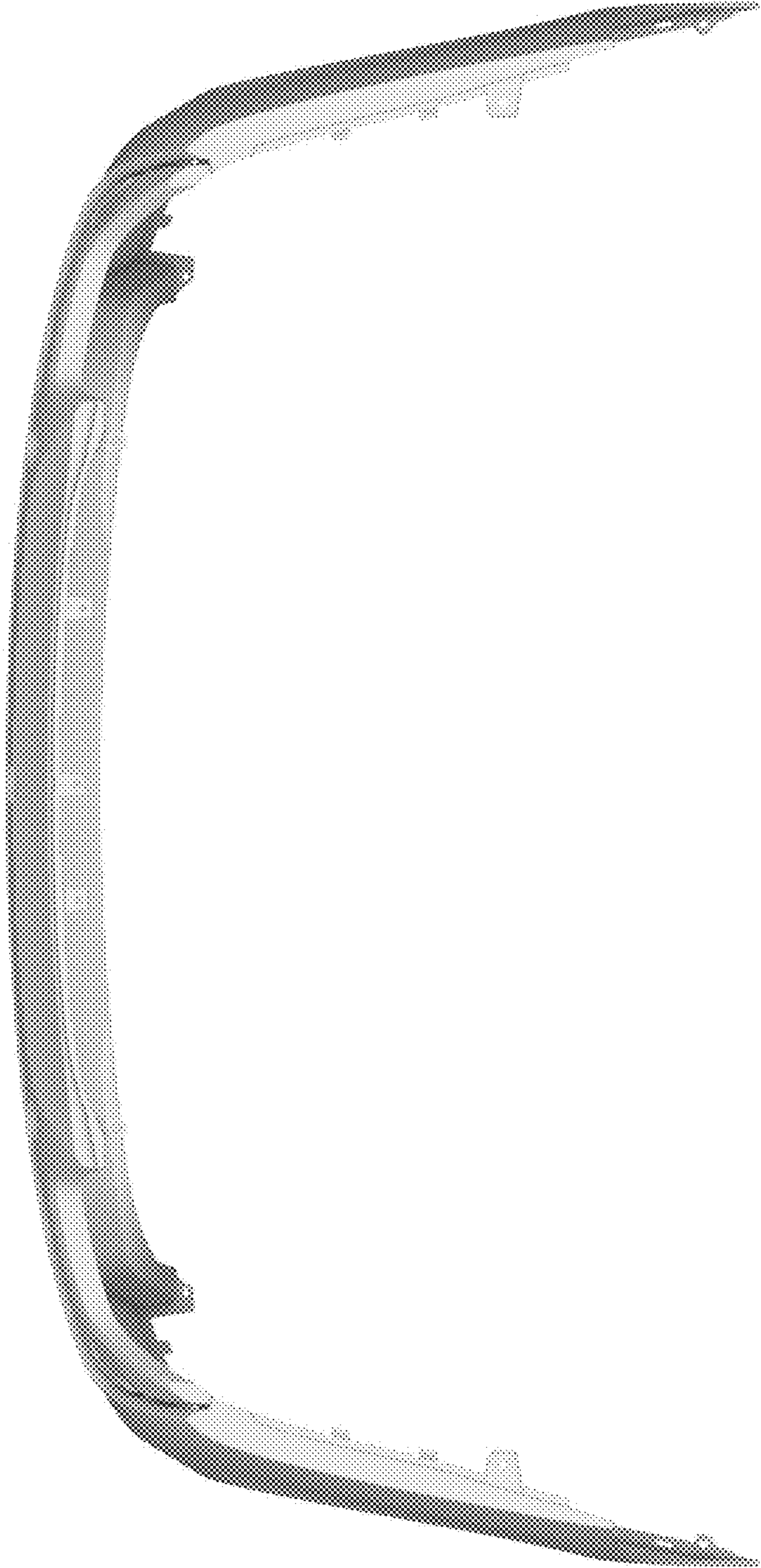


Fig. 7

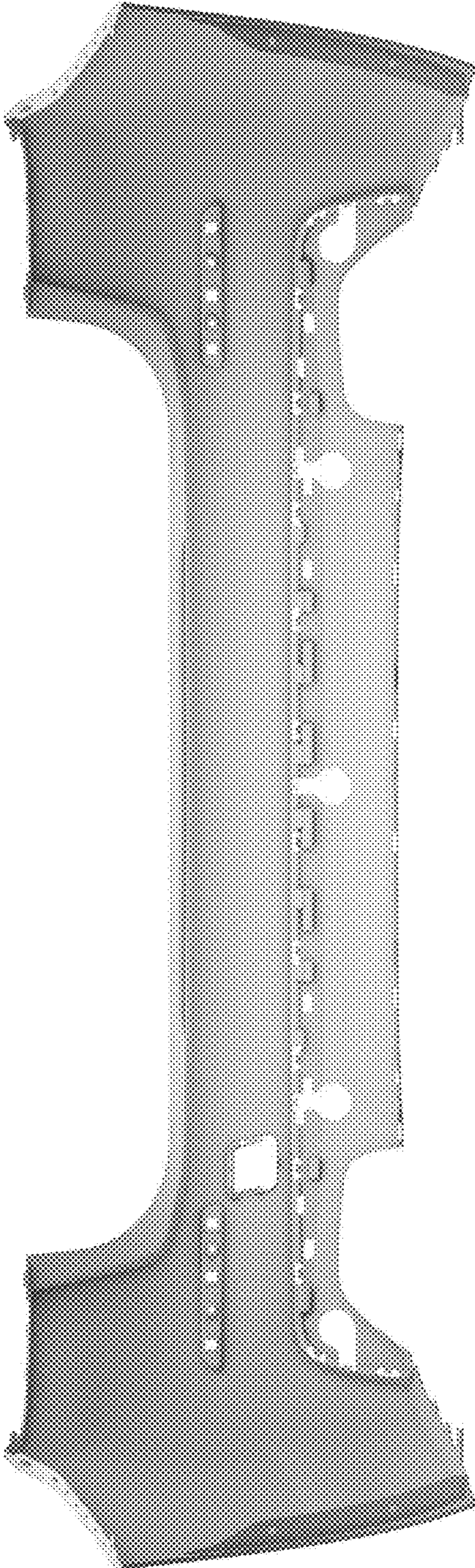


Fig. 8