



US00D931153S

(12) **United States Design Patent**  
**Wang**

(10) **Patent No.:** **US D931,153 S**

(45) **Date of Patent:** **\*\* Sep. 21, 2021**

(54) **TRAILER HITCH BALL MOUNT**

(71) Applicant: **FORCOME (ZHEJIANG) CO., LTD.**,  
Jinhua (CN)

(72) Inventor: **Jiancheng Wang**, Jinhua (CN)

(73) Assignee: **FORCOME (ZHEJIANG) CO., LTD.**,  
Jinhua (CN)

(\*\*) Term: **15 Years**

(21) Appl. No.: **29/744,255**

(22) Filed: **Jul. 28, 2020**

(30) **Foreign Application Priority Data**

Jun. 28, 2020 (CN) ..... 202030335268.7

(51) **LOC (13) Cl.** ..... **12-16**

(52) **U.S. Cl.**  
USPC ..... **D12/162**

(58) **Field of Classification Search**  
USPC ..... D12/159-162  
CPC . B60D 1/60; B60D 1/065; B60D 1/00; B60D  
1/06; B60D 1/36; B62D 33/033  
See application file for complete search history.

(56) **References Cited**

**U.S. PATENT DOCUMENTS**

6,712,381 B1 \* 3/2004 Moss ..... B60D 1/06  
280/415.1  
6,789,815 B2 \* 9/2004 Moss ..... B60D 1/06  
280/416.1

D697,414 S \* 1/2014 Windelinckx ..... D9/538  
D867,228 S \* 11/2019 DePietro ..... D12/162  
D873,724 S \* 1/2020 Borkholder ..... D12/162  
D887,910 S \* 6/2020 Noel ..... D12/162  
D894,800 S \* 9/2020 Noel ..... D12/162  
D897,246 S \* 9/2020 Giddens ..... D12/162  
D909,922 S \* 2/2021 Siegel ..... D12/162  
D924,108 S \* 7/2021 Works ..... D12/162  
D926,088 S \* 7/2021 Hart ..... D12/162

\* cited by examiner

*Primary Examiner* — Katrina A Betton

(74) *Attorney, Agent, or Firm* — SZDC Law PC

(57) **CLAIM**

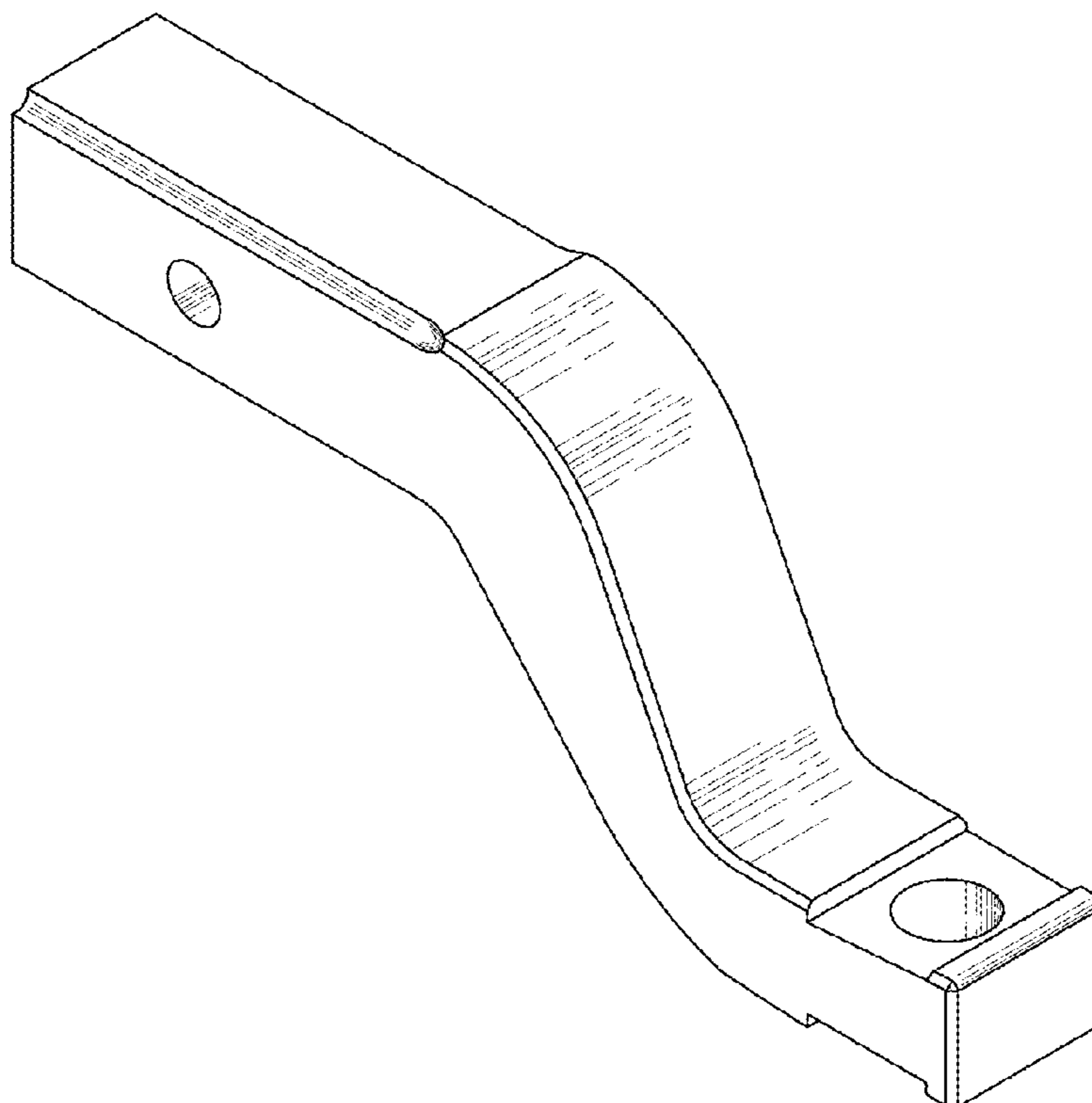
The ornamental design for a trailer hitch ball mount, as shown and described.

**DESCRIPTION**

FIG. 1 is a front perspective view of the trailer hitch ball mount;  
FIG. 2 is a left view thereof;  
FIG. 3 is a right view thereof;  
FIG. 4 is a front perspective view of the trailer hitch ball mount with a notched trailer hitch ball with a bolt and a nut; and,  
FIG. 5 is a front perspective view of the trailer hitch ball mount with a trailer hitch ball with a bolt, a washer, and a nut.

The broken lines depict the notched trailer hitch ball with bolt, the nut, the trailer hitch ball with a bolt, and the washer that form no part of the claimed design.

**1 Claim, 4 Drawing Sheets**



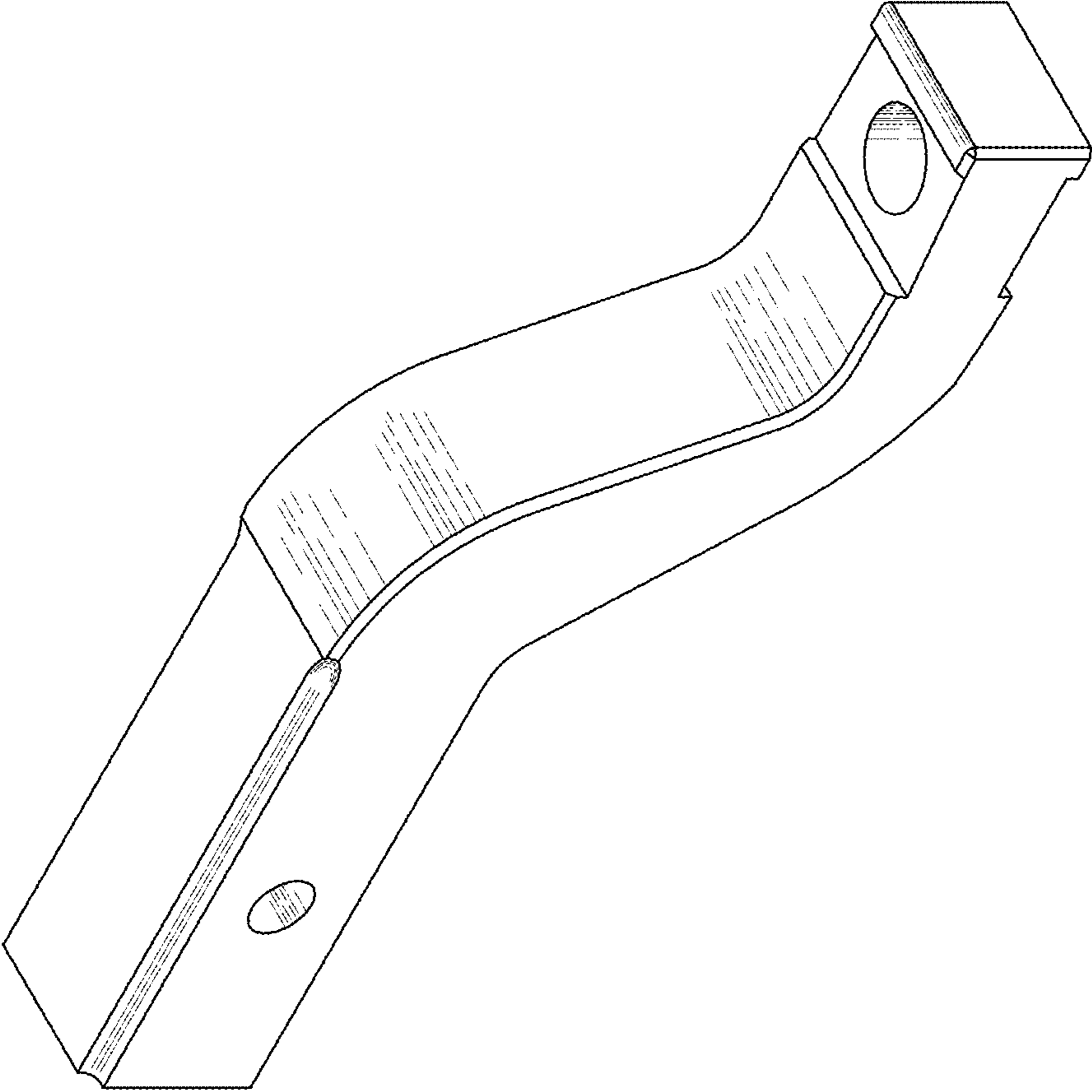


FIG. 1

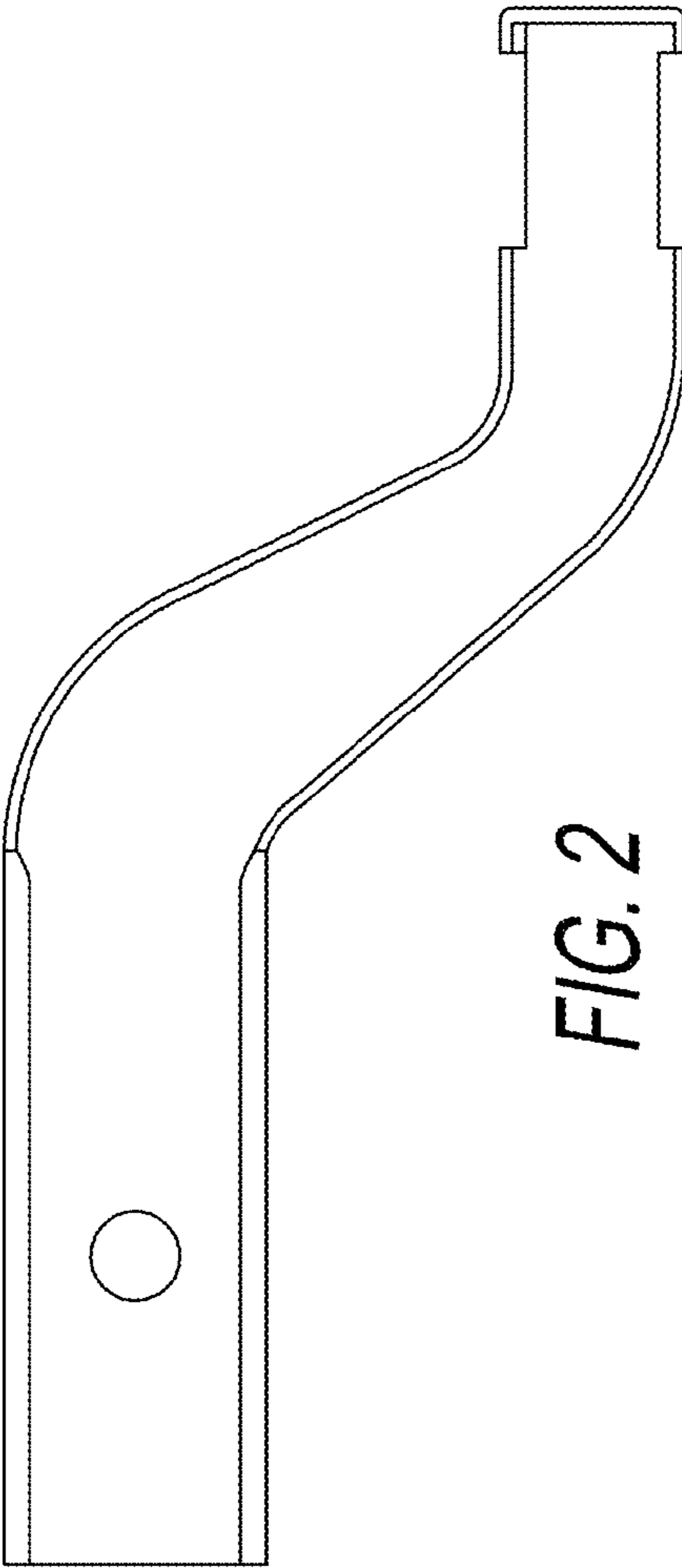


FIG. 2

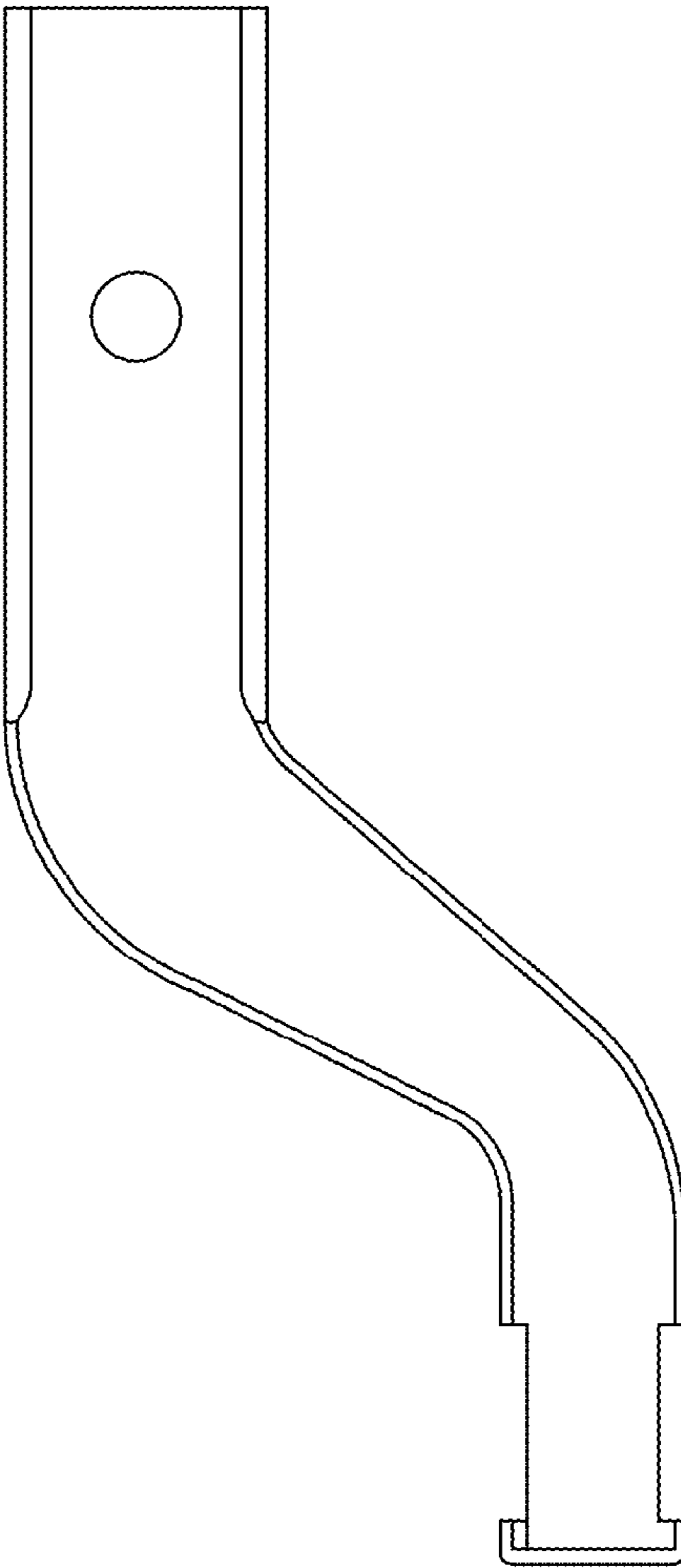


FIG. 3

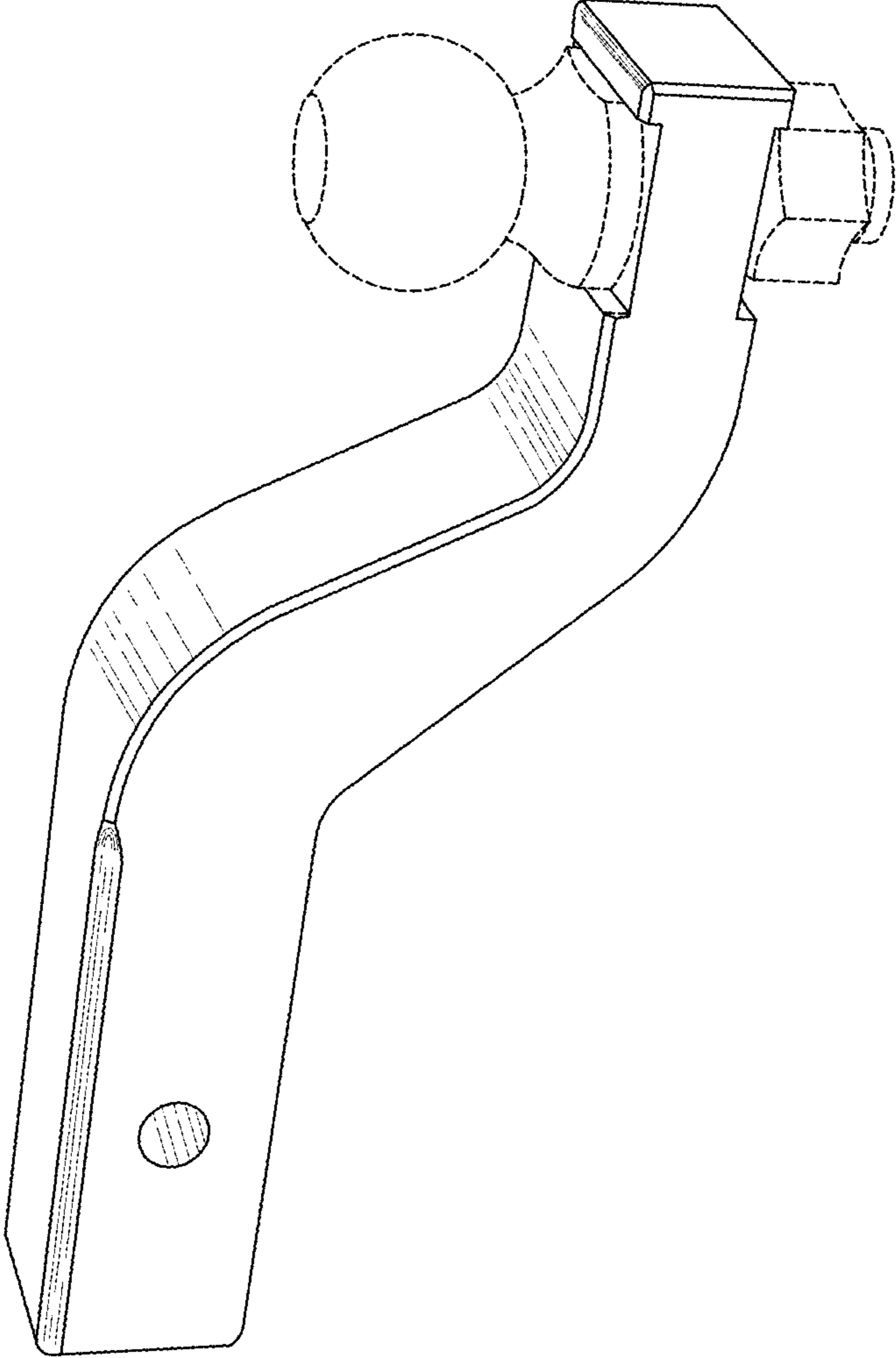


FIG. 4

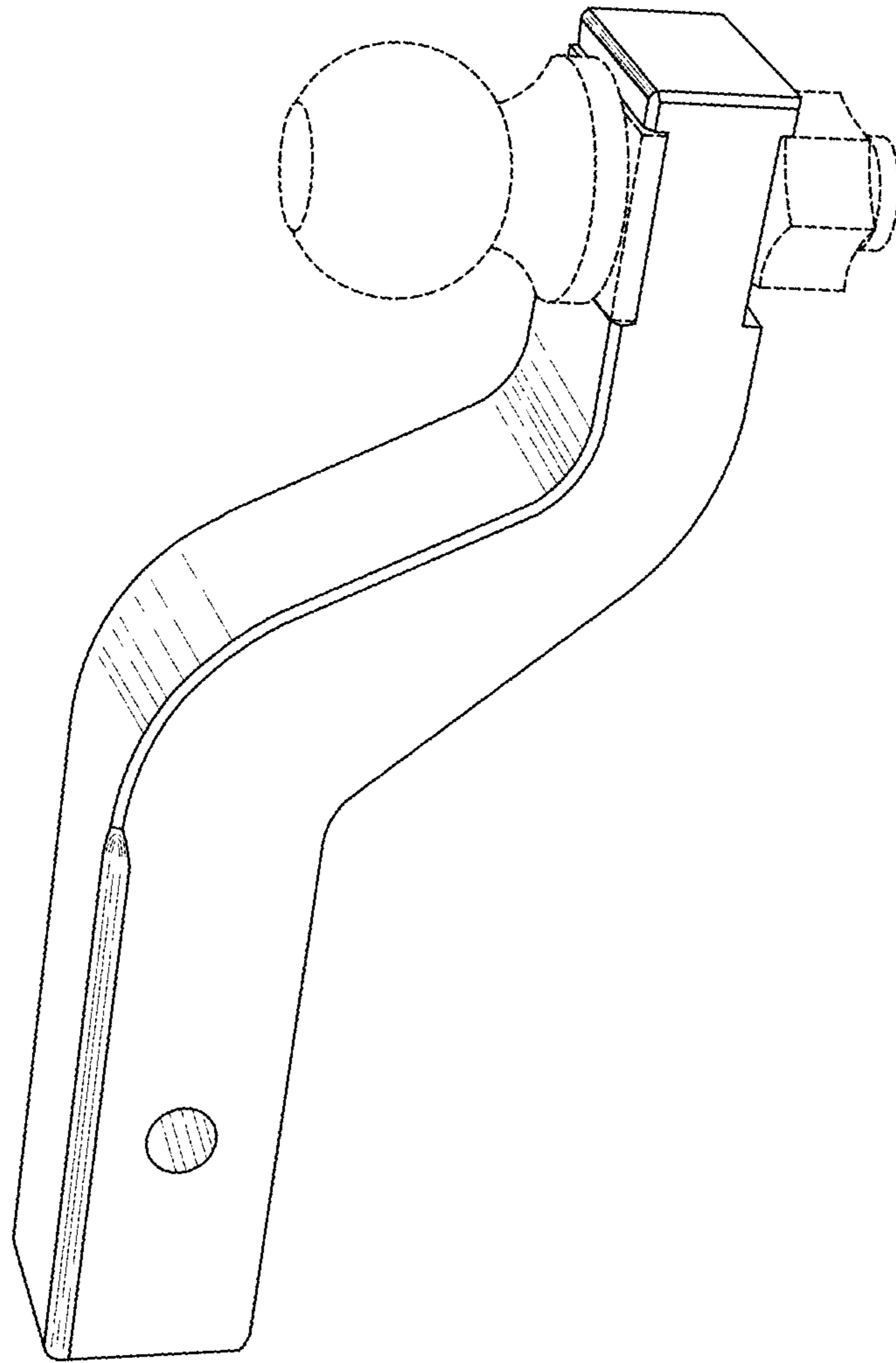


FIG. 5