

US00D931152S

(12) **United States Design Patent**  
**Rabska et al.**

(10) **Patent No.:** **US D931,152 S**

(45) **Date of Patent:** **\*\* Sep. 21, 2021**

(54) **GOOSENECK COUPLER**

6,874,764 B2 \* 4/2005 Drake, III ..... B60S 9/08  
254/103

(71) Applicant: **HORIZON GLOBAL AMERICAS  
INC., Plymouth, MI (US)**

6,893,006 B2 \* 5/2005 Drake, III ..... B60S 9/08  
254/419

(72) Inventors: **Kevin Rabska**, Junction City, WI (US);  
**Frank Drake**, Wausau, WI (US); **Erik  
Alanko**, Wausau, WI (US)

7,097,193 B1 8/2006 Sievert  
(Continued)

(73) Assignee: **HORIZON GLOBAL AMERICAS  
INC., Plymouth, MI (US)**

**OTHER PUBLICATIONS**

Bulldog BX1 Coupler posted by ETRAILER posted review date  
Jan. 27, 2015, © ETRAILER, [online], [site visited Sep. 15, 2018].  
Available from Internet, <https://www.etrailer.com/Gooseneck-Trailer-Coupler/Bulldog/> (Year: 2015).\*

(\*\*) Term: **15 Years**

(Continued)

(21) Appl. No.: **29/638,394**

*Primary Examiner* — Cynthia Ramirez

*Assistant Examiner* — Laura H Yu

(22) Filed: **Feb. 27, 2018**

(74) *Attorney, Agent, or Firm* — McDonald Hopkins LLC

(57) **CLAIM**

The ornamental design for a gooseneck coupler, as shown  
and described.

**Related U.S. Application Data**

(63) Continuation of application No. 29/516,879, filed on  
Feb. 6, 2015, now abandoned.

(51) **LOC (13) Cl.** ..... **12-16**

(52) **U.S. Cl.**

USPC ..... **D12/162**

(58) **Field of Classification Search**

USPC ..... D12/196, 162; 280/441.2

CPC ..... B60D 1/065; B60D 1/46; B60D 1/488

See application file for complete search history.

**DESCRIPTION**

FIG. 1 is a perspective view of a gooseneck coupler showing  
our new design;

FIG. 2 is a first side view thereof;

FIG. 3 is a second side view thereof;

FIG. 4 is a rear view thereof;

FIG. 5 is a front view thereof;

FIG. 6 is a top view thereof;

FIG. 7 is a bottom view thereof;

FIG. 8 a perspective view of a second embodiment of a  
gooseneck coupler showing our new design;

FIG. 9 is a first side view thereof;

FIG. 10 is a second side view thereof;

FIG. 11 is a rear view thereof;

FIG. 12 is a front view thereof;

FIG. 13 is a top view thereof; and,

FIG. 14 is a bottom view thereof.

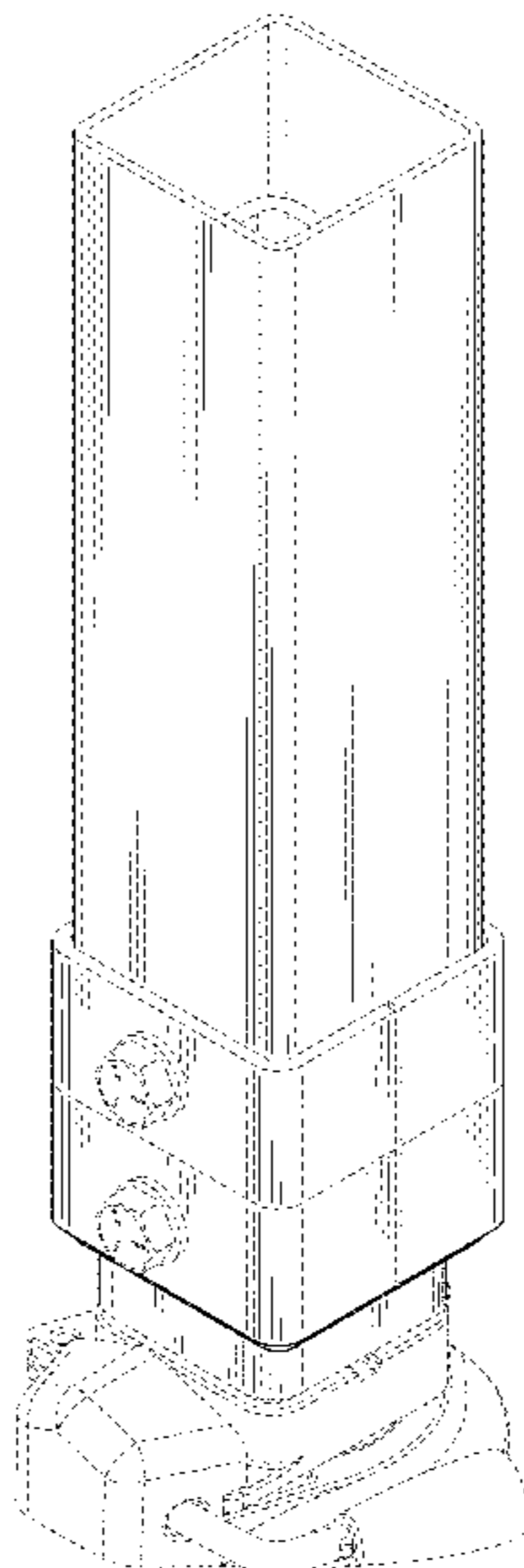
The broken lines in the figures are included for the purpose  
of illustrating portions of a gooseneck coupler and form no  
part of the claimed design.

(56) **References Cited**

**U.S. PATENT DOCUMENTS**

4,283,073	A	8/1981	Gostomski
4,699,395	A	10/1987	Hale
5,354,087	A	10/1994	Head
5,382,109	A	1/1995	Nyman
6,234,509	B1	5/2001	Lara
6,776,431	B1	8/2004	Dick

**1 Claim, 12 Drawing Sheets**



(56)

References Cited

U.S. PATENT DOCUMENTS

7,954,839	B2 *	6/2011	Quiring .....	B60D 1/06 280/441.2
D686,953	S *	7/2013	Rabska .....	D12/162
8,783,705	B2	7/2014	Drake	
8,783,706	B2 *	7/2014	Drake .....	B60D 1/06 280/441.2
8,910,924	B2	12/2014	Alanko	
8,910,965	B2 *	12/2014	LaPrade .....	B60D 1/06 280/441.2
9,308,894	B2 *	4/2016	Lusty .....	B60S 9/22
2002/0109335	A1 *	8/2002	Putnam .....	B60D 1/065 280/507
2003/0001362	A1	1/2003	Ebey	
2003/0047908	A1	3/2003	Lara	
2003/0173757	A1	9/2003	Smith	
2005/0253361	A1	11/2005	Bouwkamp	
2008/0129011	A1 *	6/2008	Bouwkamp .....	B60D 1/015 280/490.1
2008/0292390	A1 *	11/2008	Walstrom .....	B60D 1/40 403/109.6
2010/0084837	A1	4/2010	Quiring	
2012/0153598	A1 *	6/2012	Drake .....	B60D 1/065 280/490.1
2012/0211966	A1	8/2012	Drake	
2013/0277944	A1	10/2013	Drake	
2015/0217608	A1	8/2015	Rabska	

OTHER PUBLICATIONS

BulldogCoupler posted by BullDog posted date May 7, 2014, © Amazon, [online], [site visited Sep. 15, 2018]. Available from

Internet, <https://www.amazon.com/Bulldog-1289130300-Gooseneck-Coupler-Adjustment> (Year: 2014).\*

Coupler posted by ATWOOD posted date Jun. 26, 2015, © Amazon, [online], [site visited Sep. 15, 2018]. Available from Internet, <https://www.amazon.com/Atwood-75401-Components-Gooseneck-Withdrop> (Year: 2015).\*

Bulldog BX1, posted by ETrailer.com, reviewed date Jul. 26, 2012, © ETrailer.com, [online], [site visited Jun. 1, 2017]. Available from Internet, <URL: <https://www.etrailer.com/comparison.aspx?pc=BD1289200300&pc2=GCSQ25000>>.

Bulldog BX1, posted by ETrailer.com, reviewed date Jul. 26, 2012, © ETrailer.com, [online], [site visited Dec. 2, 2016]. Available from Internet, <URL: <https://www.etrailer.com/comparison.aspx?pc=B D 1289200300&pc2=GCSQ25000>>.

Bulldog 3-Inch Ball Gooseneck Coupler, posted by Bruce Smith, posted date Feb. 25, 2014, © 2016 Hardworking Trucks, [online], [site visited Dec. 2, 2016]. Available from Internet, <URL: <http://www.hardworkingtrucks.com/28090/>>.

Bulldog Gooseneck Coupler, Croft Trailer Supply, posted at CroftTrailer.com, posting date not given, © 1939-2016 CroftTrailer.com, [online], [site visited Sep. 8, 2016]. Available from Internet, <URL: <http://www.crofttrailer.com/bx1sq-40k-3-bulldog-goose-neck-coupler-with-adjustable-pipe-40-000-lb-capacity/#page=page-1>>.

Bulldog BX1, posted by ETrailer.com, reviewed date Jul. 26, 2012, © ETrailer.com, [online], Available from Internet, <URL: <https://www.etrailer.com/comparison.aspx?pc=B D 1289200300&pc2=GCSQ25000>> and website <https://www.etrailer.com/Gooseneck-Trailer-Coupler/Bulldog/BD1289040300.html> [site visited Oct. 10, 2017].

\* cited by examiner

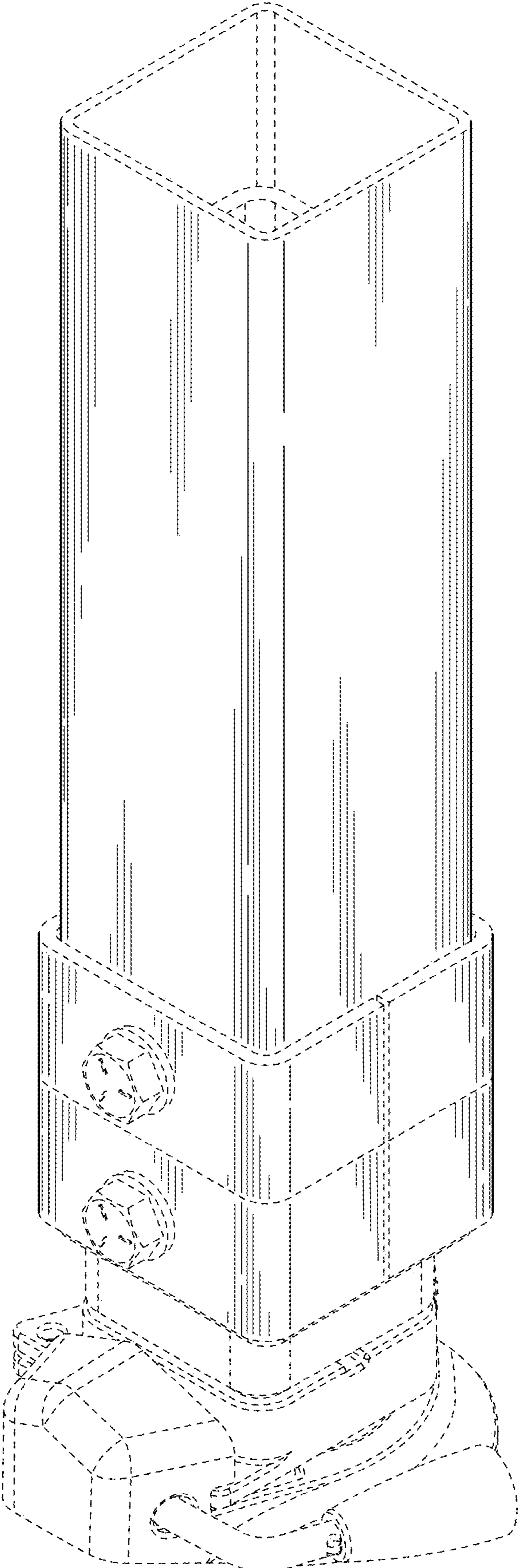


FIG. 1



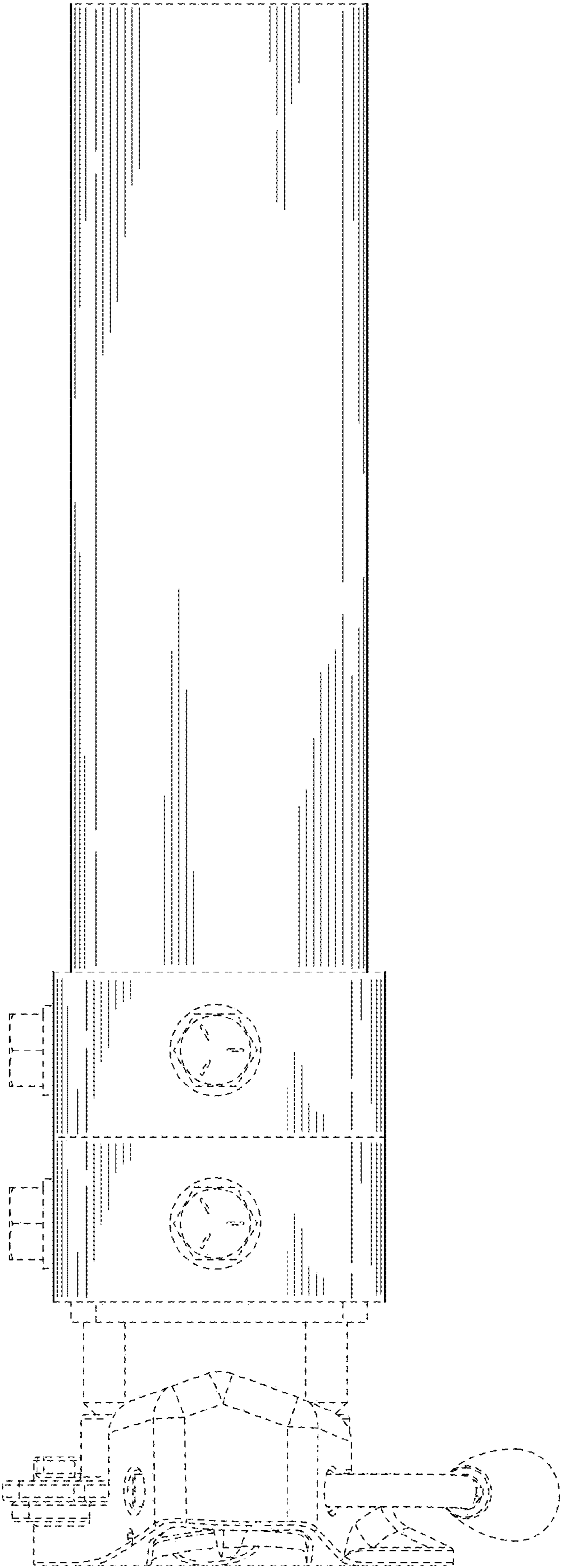


FIG. 2

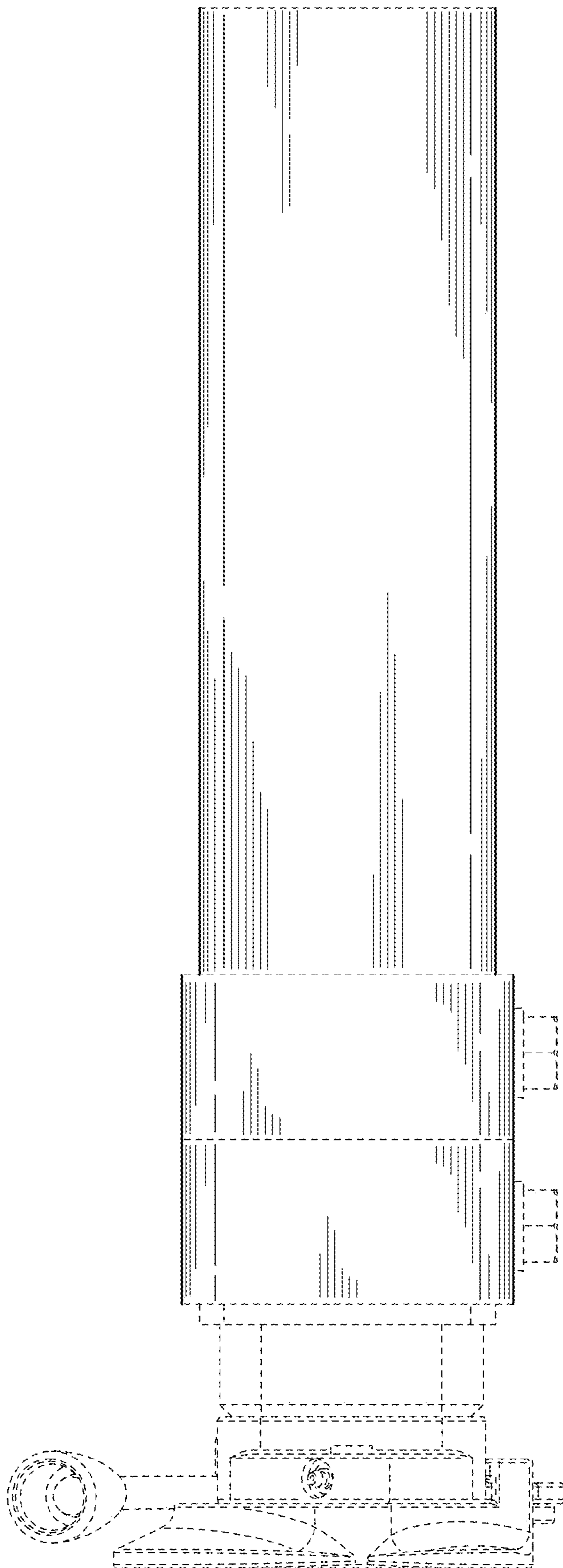


FIG. 3

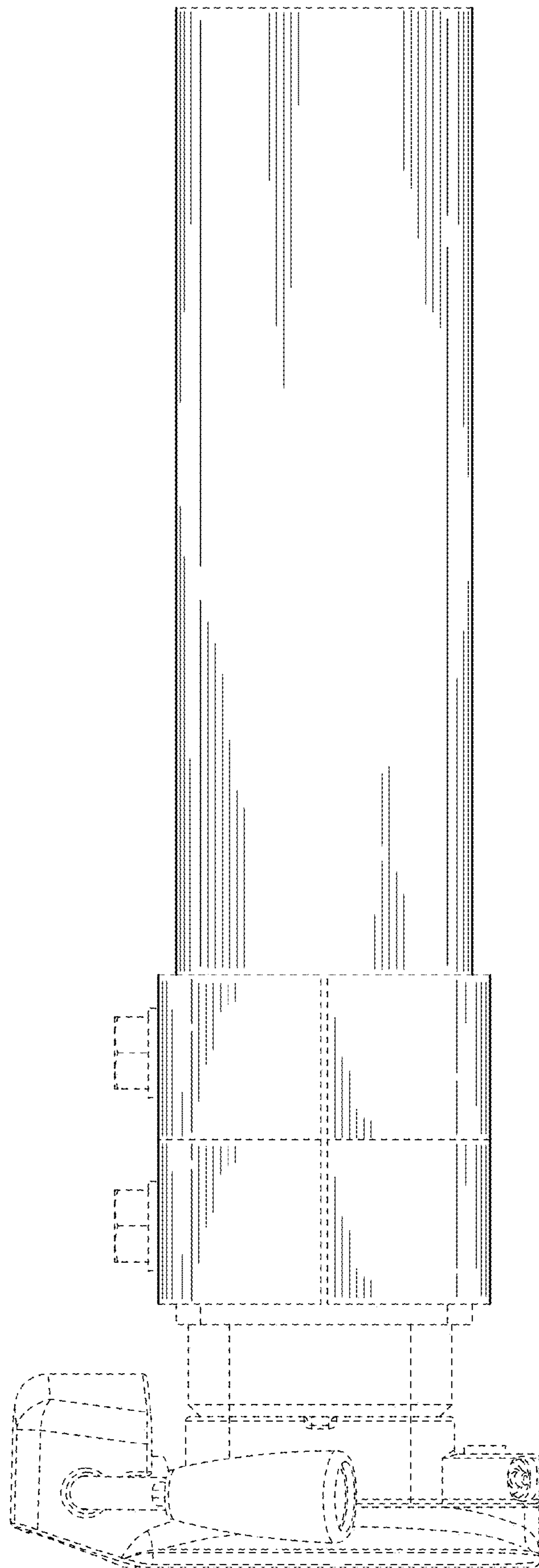


FIG. 4

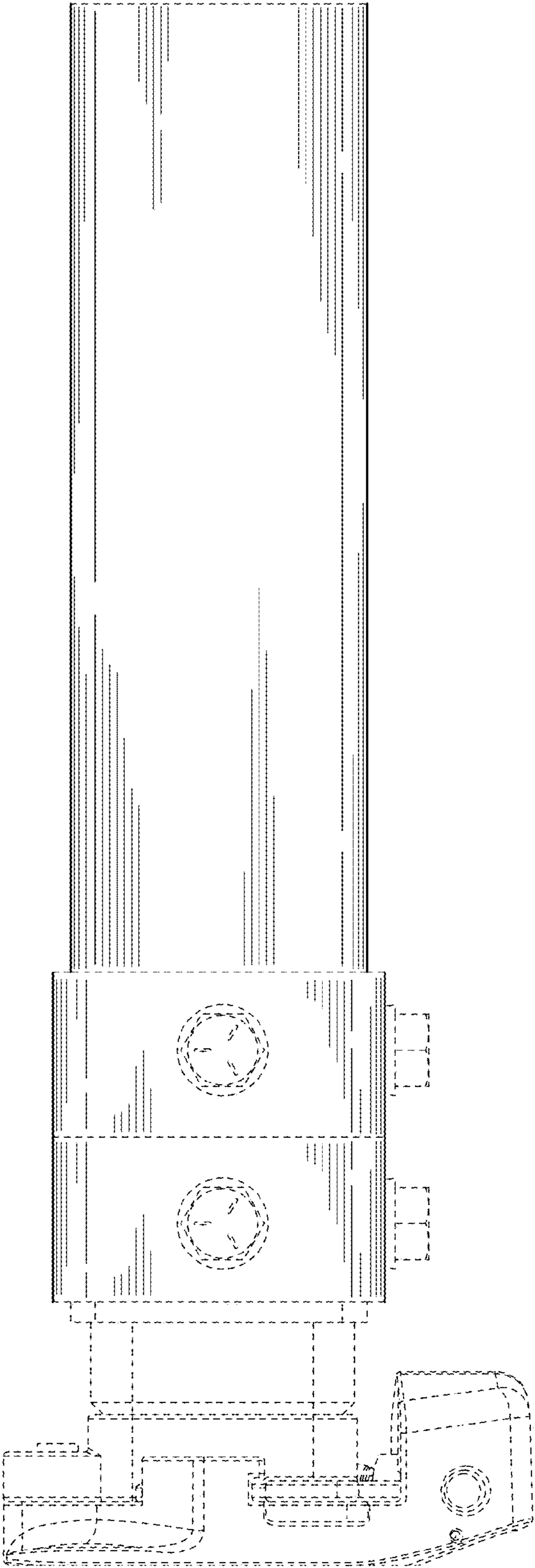


FIG. 5

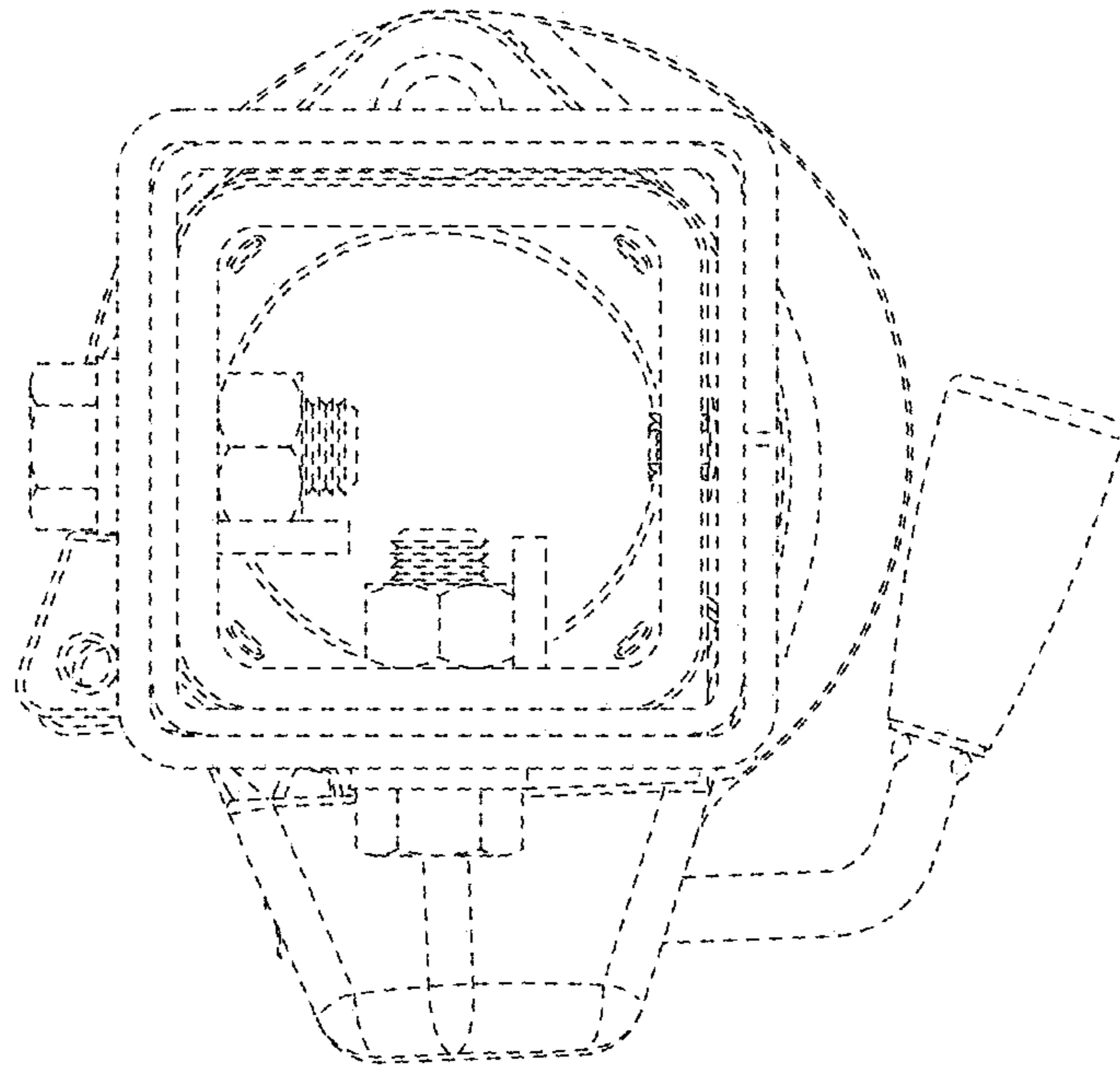


FIG. 6

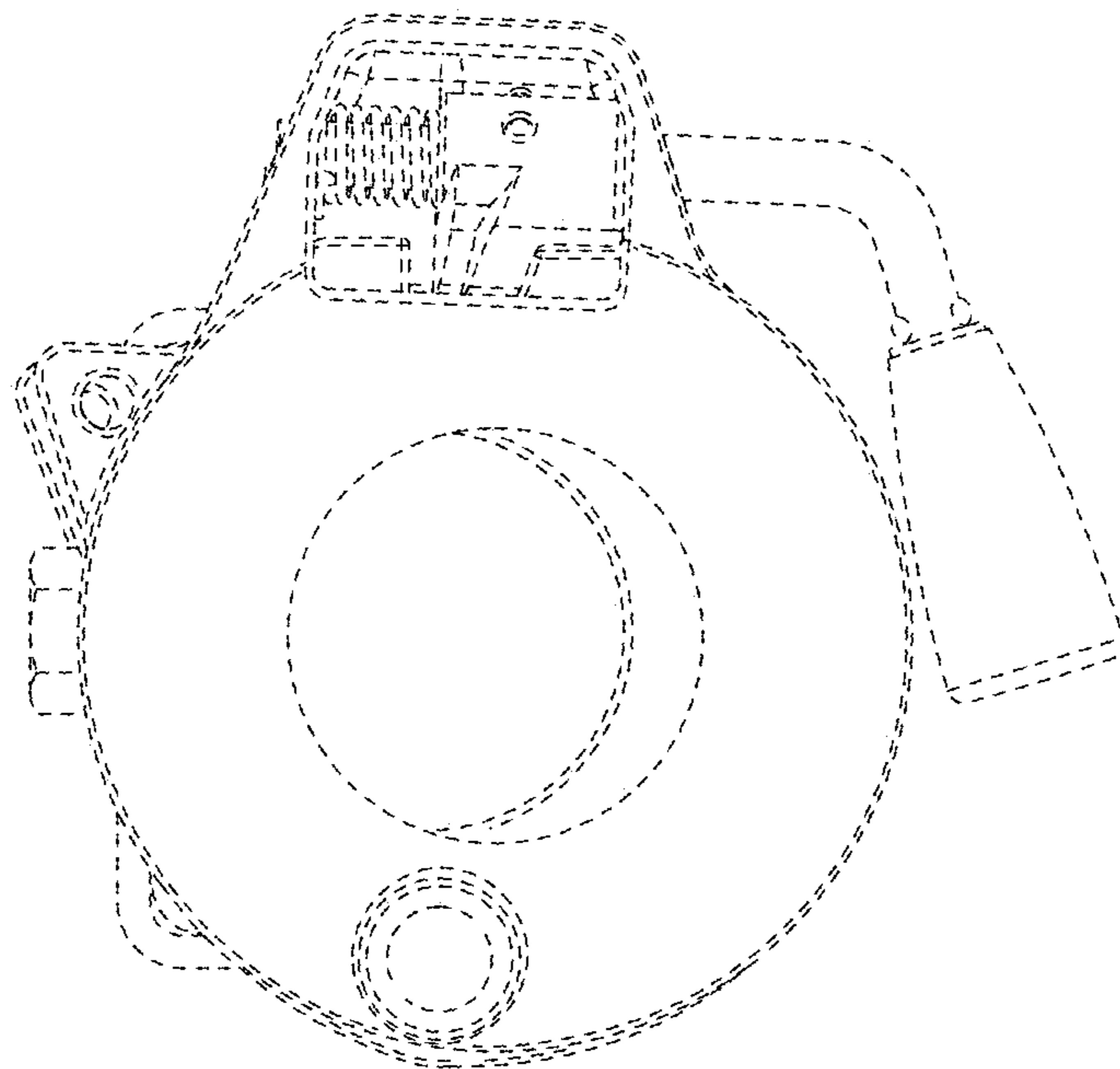


FIG. 7



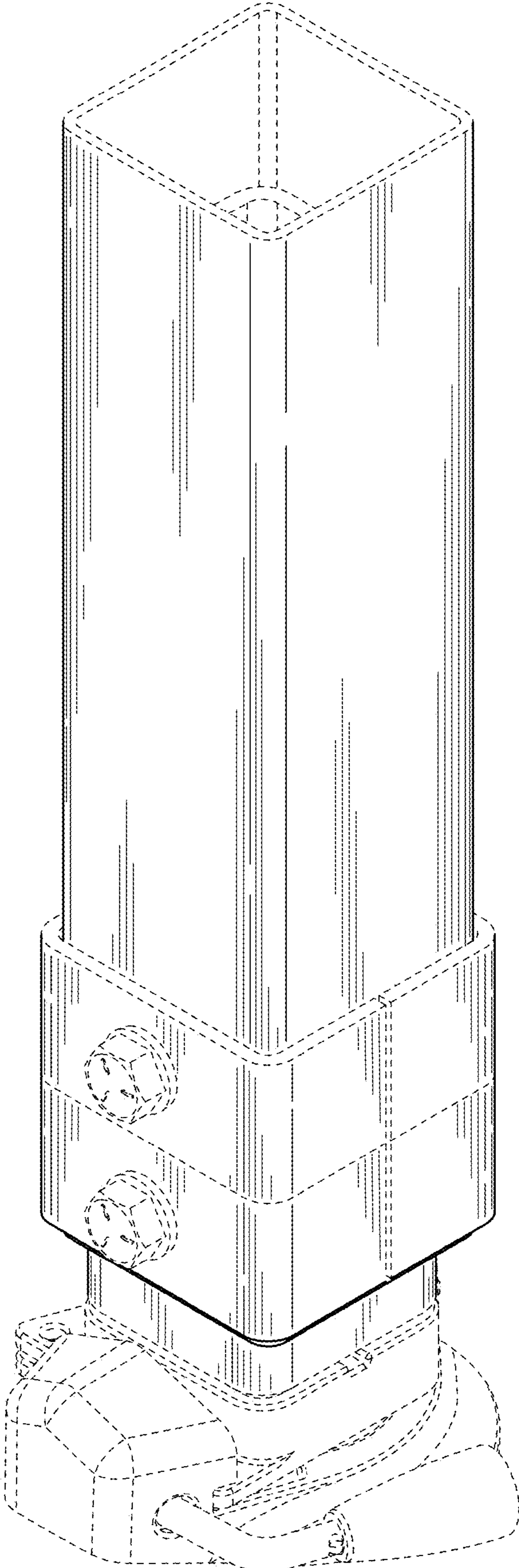


FIG. 8

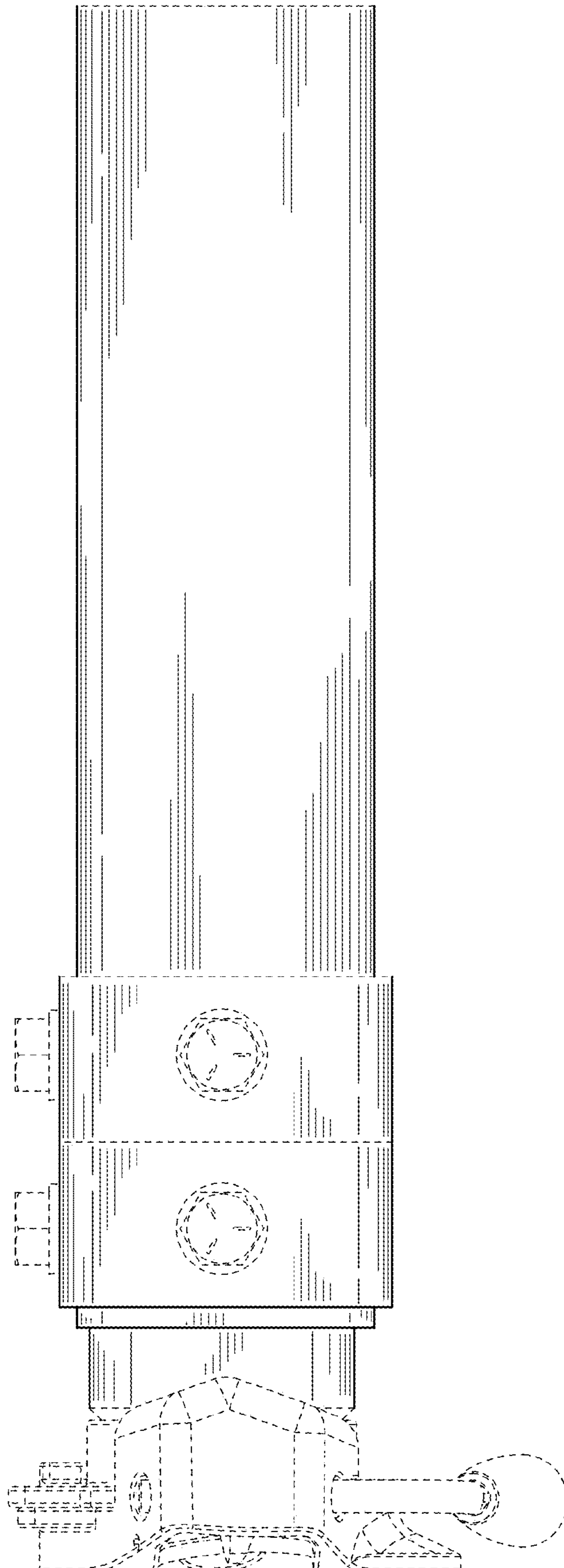


FIG. 9

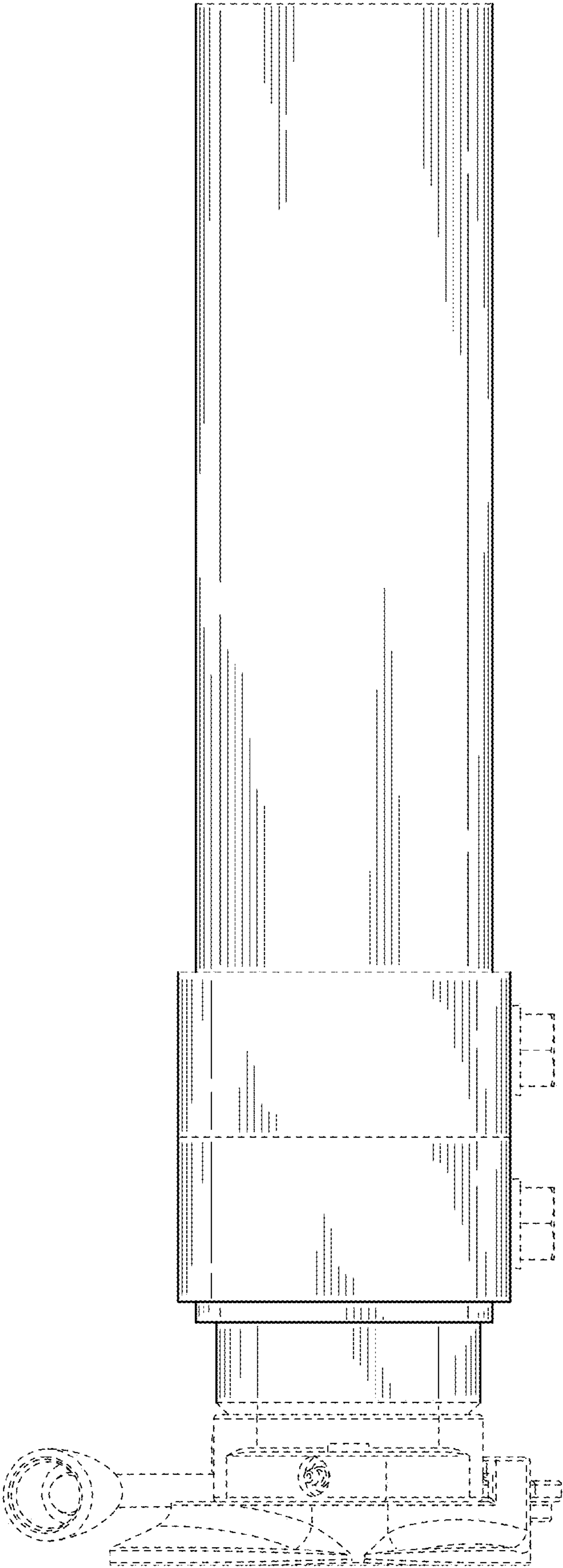


FIG. 10

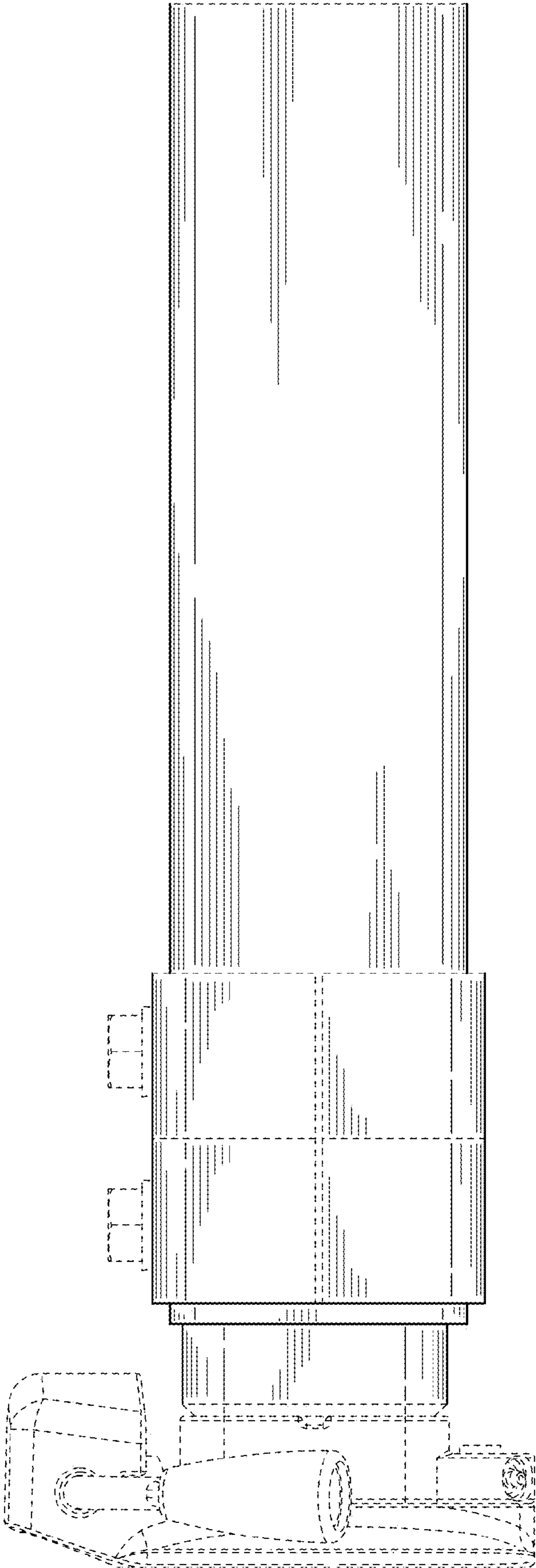


FIG. 11



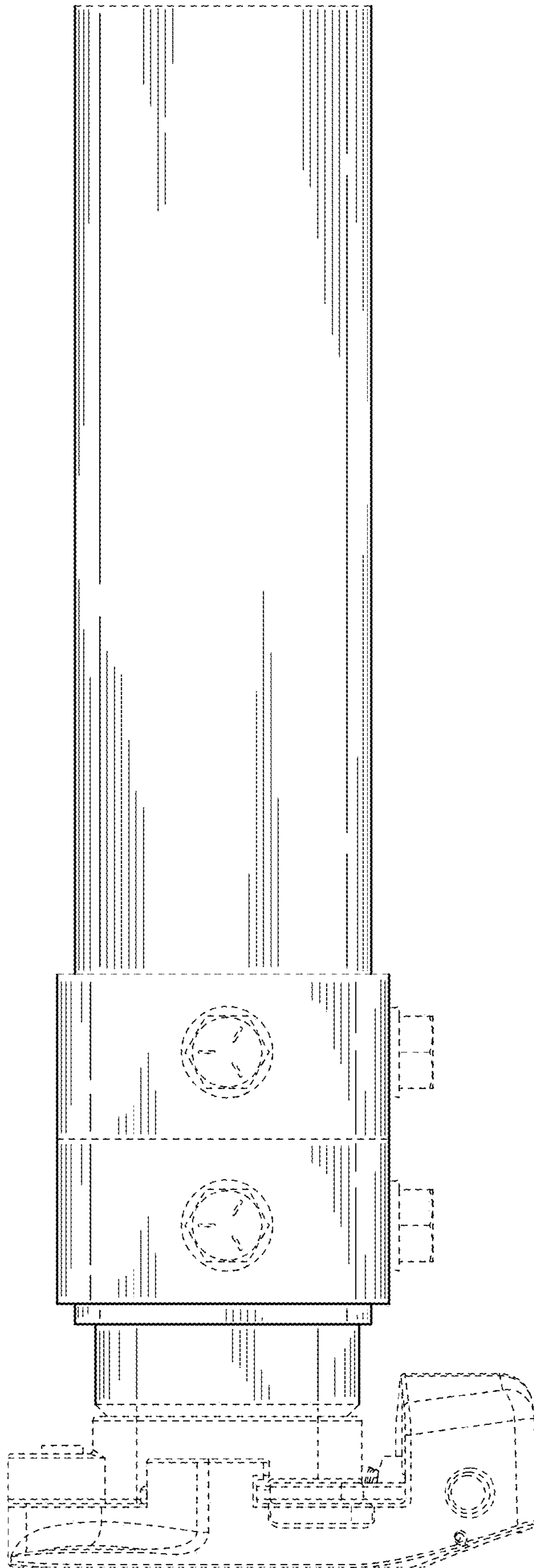


FIG. 12

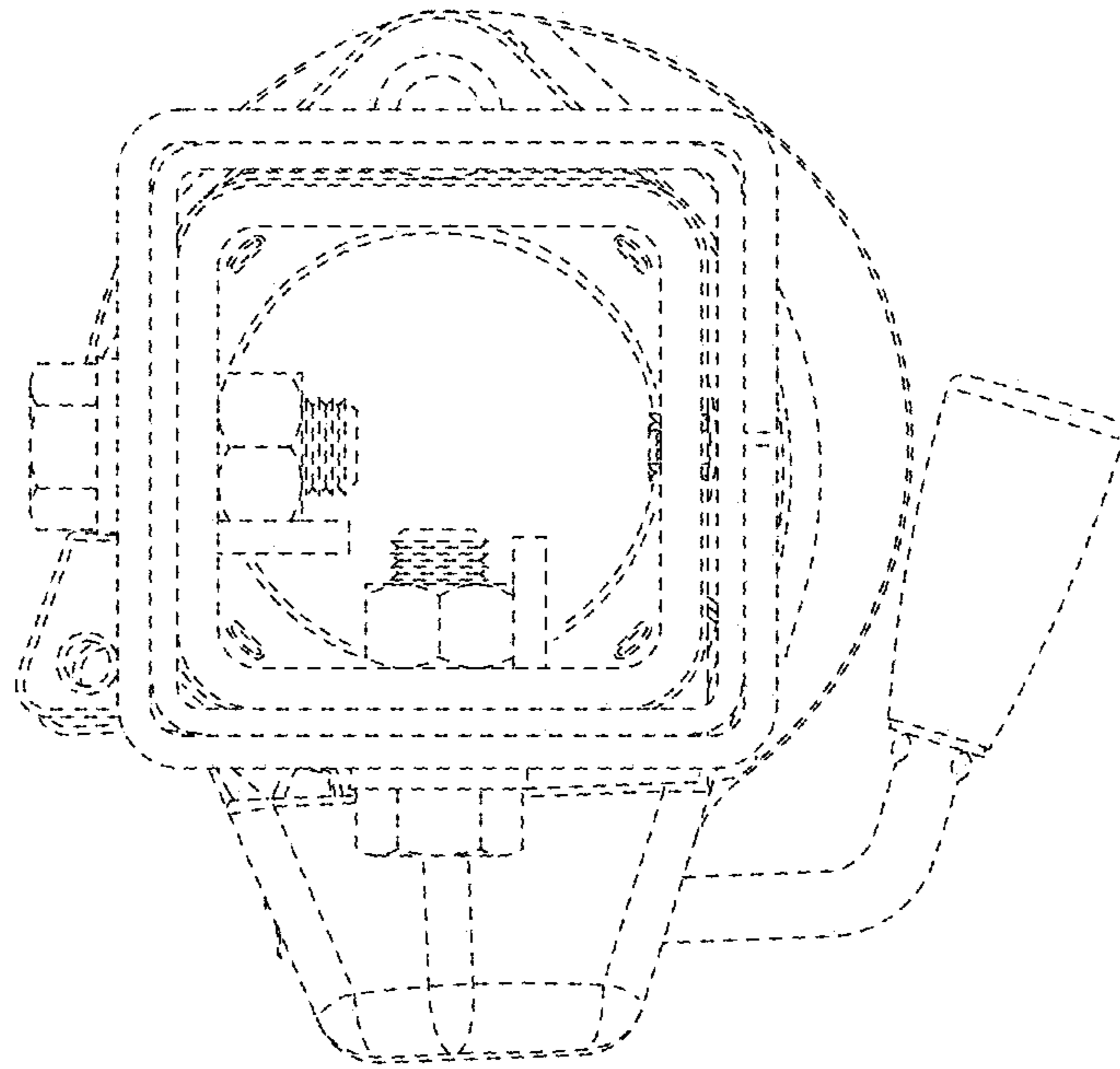


FIG. 13

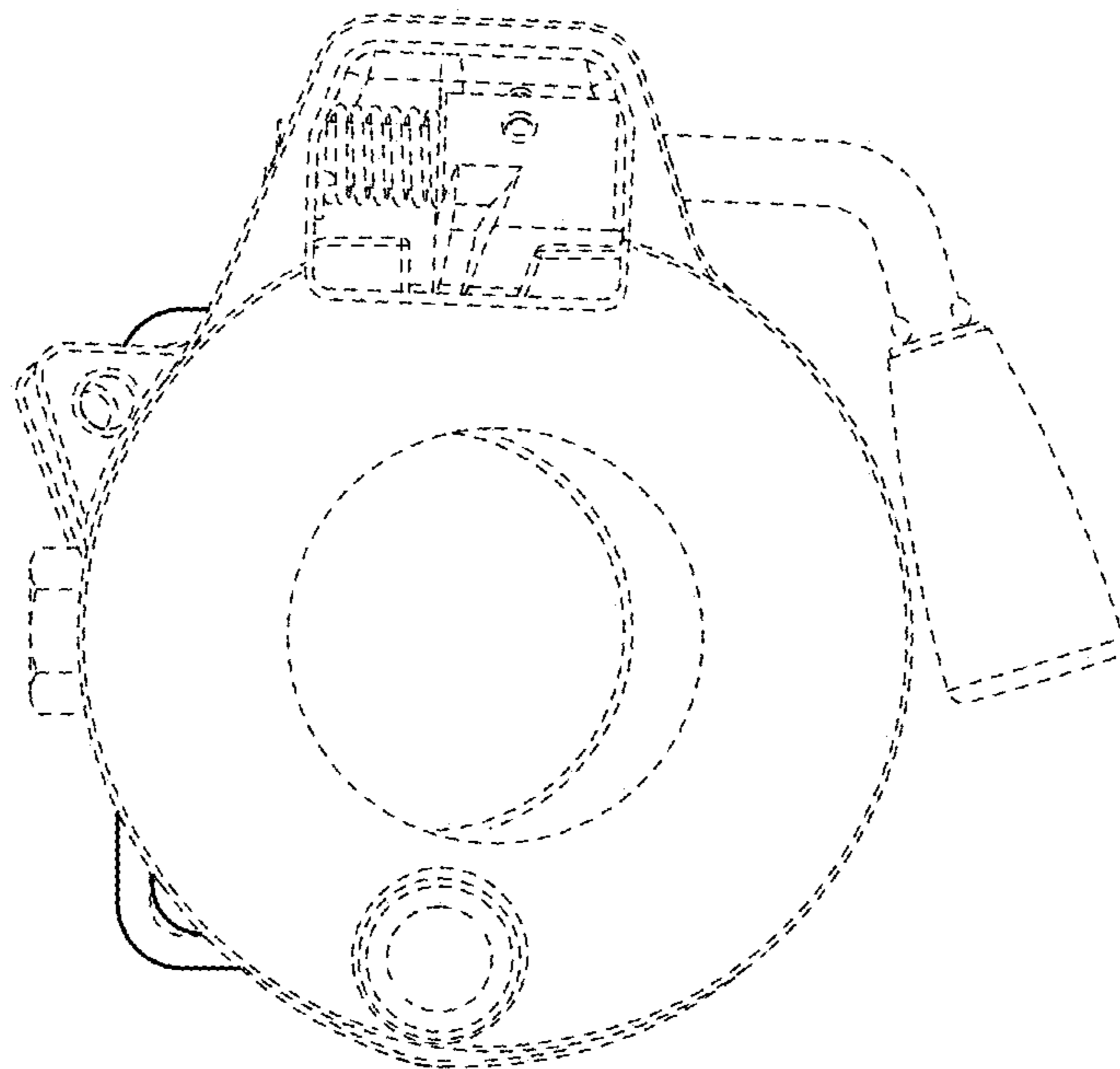


FIG. 14