



US00D931151S

(12) **United States Design Patent** (10) **Patent No.:** **US D931,151 S**
Wade et al. (45) **Date of Patent:** **** Sep. 21, 2021**

(54) **BRACKET FOR A VEHICLE SUSPENSION**
(71) Applicant: **MF IP Holding, LLC**, West Jordan, UT (US)
(72) Inventors: **Brennan Wade**, Sandy, UT (US);
Michael Grant Owens, Herriman, UT (US)
(73) Assignee: **MF IP Holding, LLC**, West Jordan, UT (US)

(**) Term: **15 Years**

(21) Appl. No.: **29/731,761**

(22) Filed: **Apr. 17, 2020**

(51) **LOC (13) Cl.** **12-16**

(52) **U.S. Cl.**
USPC **D12/159**; D12/223

(58) **Field of Classification Search**
USPC D12/223, 159, 160; D8/382, 354
CPC B60G 2204/41043; B60G 2204/43; B60G 2204/4306; B60G 2204/4307; B60G 2204/422; B60G 2204/10; B60G 2204/16
See application file for complete search history.

(56) **References Cited**

U.S. PATENT DOCUMENTS

| | | | | |
|---------------|---------|-----------|-------|------------------------|
| D247,738 S * | 4/1978 | Rynearson | | D8/354 |
| D250,805 S * | 1/1979 | Mygind | | D8/354 |
| D267,471 S * | 1/1983 | Mundorf | | D15/5 |
| 4,634,168 A * | 1/1987 | Fuchs | | B62D 33/00 280/785 |
| D297,410 S * | 8/1988 | Sachs | | D8/354 |
| 5,288,100 A * | 2/1994 | Cherry | | B60G 7/02 280/86.75 |
| D358,795 S * | 5/1995 | Viola | | D12/187 |
| D375,471 S * | 11/1996 | Page, Jr. | | D12/114 |
| D376,751 S * | 12/1996 | Hanson | | D12/162 |
| D395,997 S * | 7/1998 | Coll | | D13/133 |
| D429,208 S * | 8/2000 | McCoy | | D12/223 |
| D435,432 S * | 12/2000 | Themistos | | D8/354 |

| | | | | |
|--------------|---------|------------------------|-------|-----------------------|
| D467,858 S * | 12/2002 | Misch | | D12/223 |
| D476,217 S * | 6/2003 | Shea | | D8/354 |
| D482,313 S * | 11/2003 | McCoy | | D12/223 |
| D546,751 S * | 7/2007 | Laatz | | D12/223 |
| D603,781 S * | 11/2009 | Jimenez | | B60R 11/00 D12/223 |
| D624,461 S * | 9/2010 | Noble | | D12/159 |
| D656,452 S * | 3/2012 | Calvert | | D12/223 |
| D664,075 S * | 7/2012 | Felipe de Souza Araujo | | D12/159 |
| D666,549 S * | 9/2012 | Gagnon | | D12/223 |
| D688,547 S * | 8/2013 | Waugh | | D8/349 |
| D695,091 S * | 12/2013 | Nunez Farfan | | D8/354 |

(Continued)

FOREIGN PATENT DOCUMENTS

CN 103963589 A * 4/2014

Primary Examiner — Holly E Thurman

Assistant Examiner — Ieisha N Price

(74) *Attorney, Agent, or Firm* — Christensen O'Connor Johnson Kindness PLLC

(57) **CLAIM**

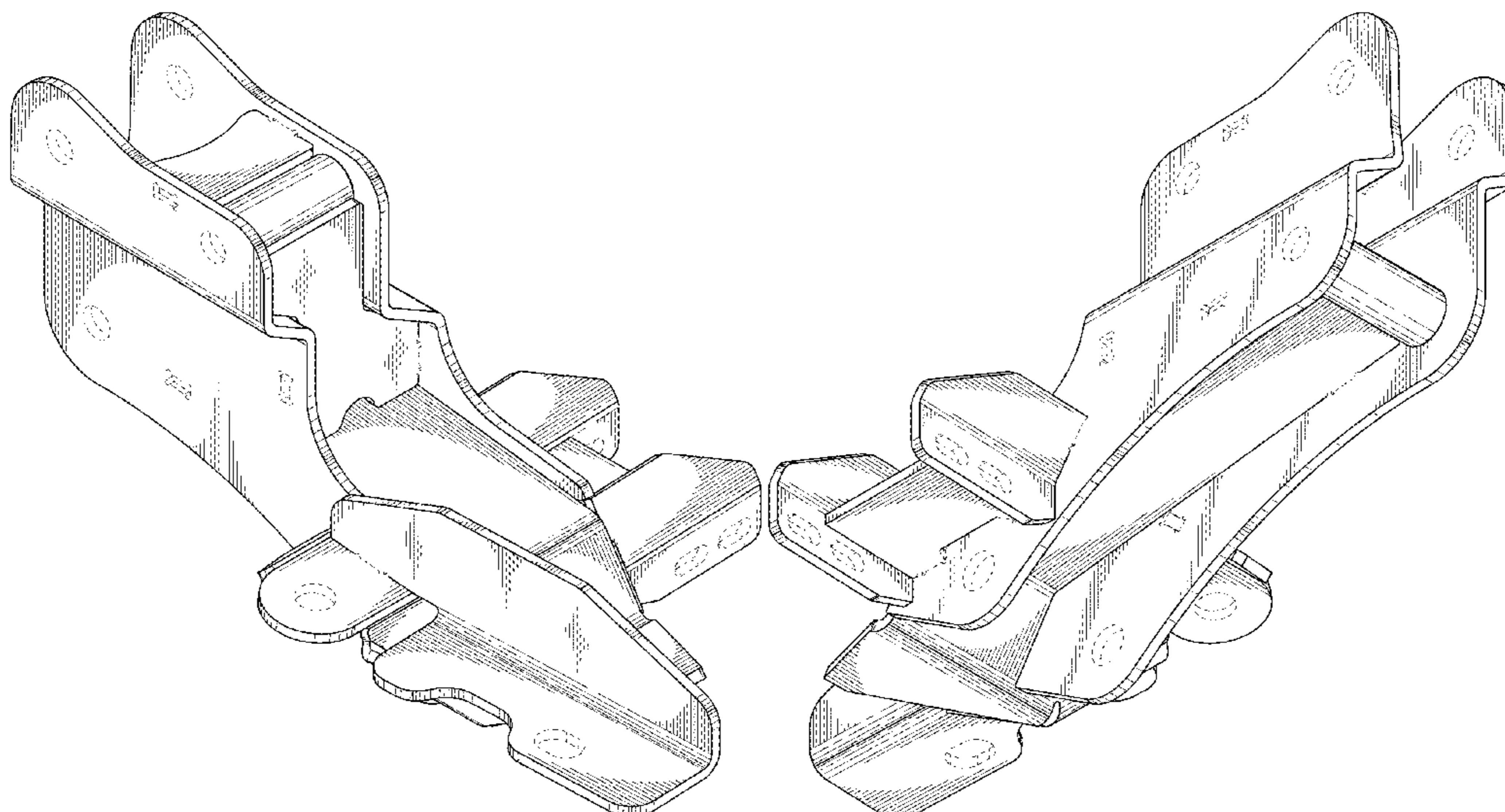
The ornamental design for a bracket for a vehicle suspension, as shown and described.

DESCRIPTION

FIG. 1 is a top-front-left perspective view of a bracket for a vehicle suspension according to our new design; FIG. 2 is a bottom-rear-right perspective view thereof; FIG. 3 is a left-side elevational view thereof; FIG. 4 is a right-side elevational view thereof; FIG. 5 is a top plan view thereof; FIG. 6 is a bottom plan view thereof; FIG. 7 is a rear elevational view thereof; and, FIG. 8 is a front elevational view thereof.

The dashed broken lines in the drawings show portions of the bracket for a vehicle suspension that form no part of the claimed design.

1 Claim, 8 Drawing Sheets



(56)

References Cited

U.S. PATENT DOCUMENTS

| | | | | |
|--------------|------|---------|------------------|----------------------------|
| D712,816 | S * | 9/2014 | Maholick | D12/223 |
| D729,133 | S * | 5/2015 | McGaughy | D12/159 |
| D735,632 | S * | 8/2015 | Beidler | D12/223 |
| D735,770 | S * | 8/2015 | Schaffert | D15/28 |
| D755,683 | S * | 5/2016 | Goodlow | D12/114 |
| D767,370 | S * | 9/2016 | Yato | D8/354 |
| D768,469 | S * | 10/2016 | Bengtsson | D8/382 |
| D777,793 | S * | 1/2017 | Singh | D15/7 |
| D787,916 | S * | 5/2017 | Yuan | D8/354 |
| D834,463 | S * | 11/2018 | Brunkhurst | D12/159 |
| D843,823 | S * | 3/2019 | Bouchard | D8/382 |
| D846,370 | S * | 4/2019 | Ni | D8/354 |
| D899,225 | S * | 10/2020 | Zhang | D8/354 |
| D910,419 | S * | 2/2021 | Cox | D8/349 |
| D915,186 | S * | 4/2021 | Barker | D8/382 |
| 2003/0122337 | A1 * | 7/2003 | Matsumoto | B62D 21/11 280/124.109 |
| 2006/0186628 | A1 * | 8/2006 | McConville | B60G 11/16 280/93.512 |
| 2015/0076782 | A1 * | 3/2015 | Carlitz | B60G 21/051 280/124.128 |
| 2018/0186206 | A1 * | 7/2018 | Wilson | B60G 11/113 |

* cited by examiner

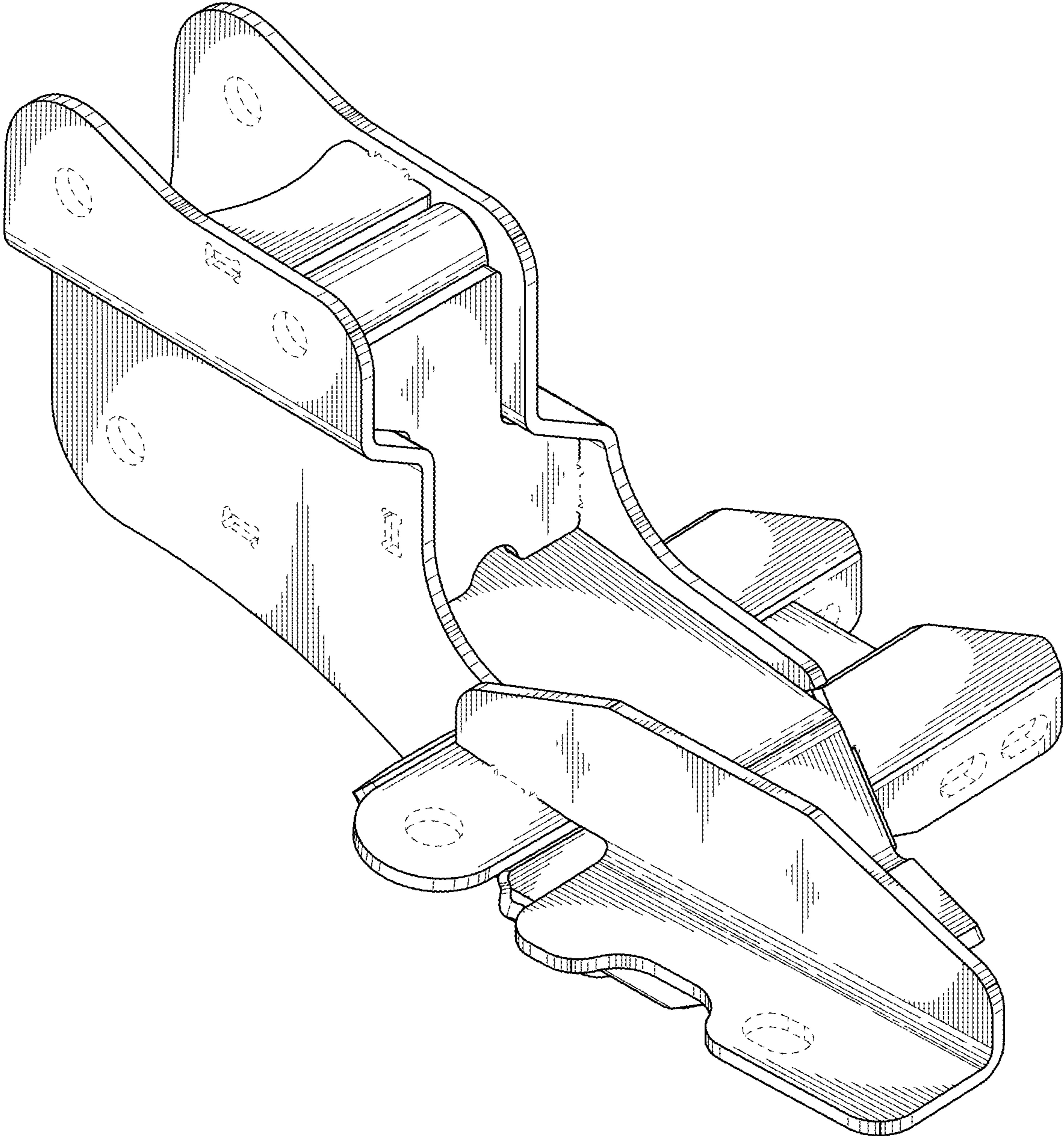


Fig. 1

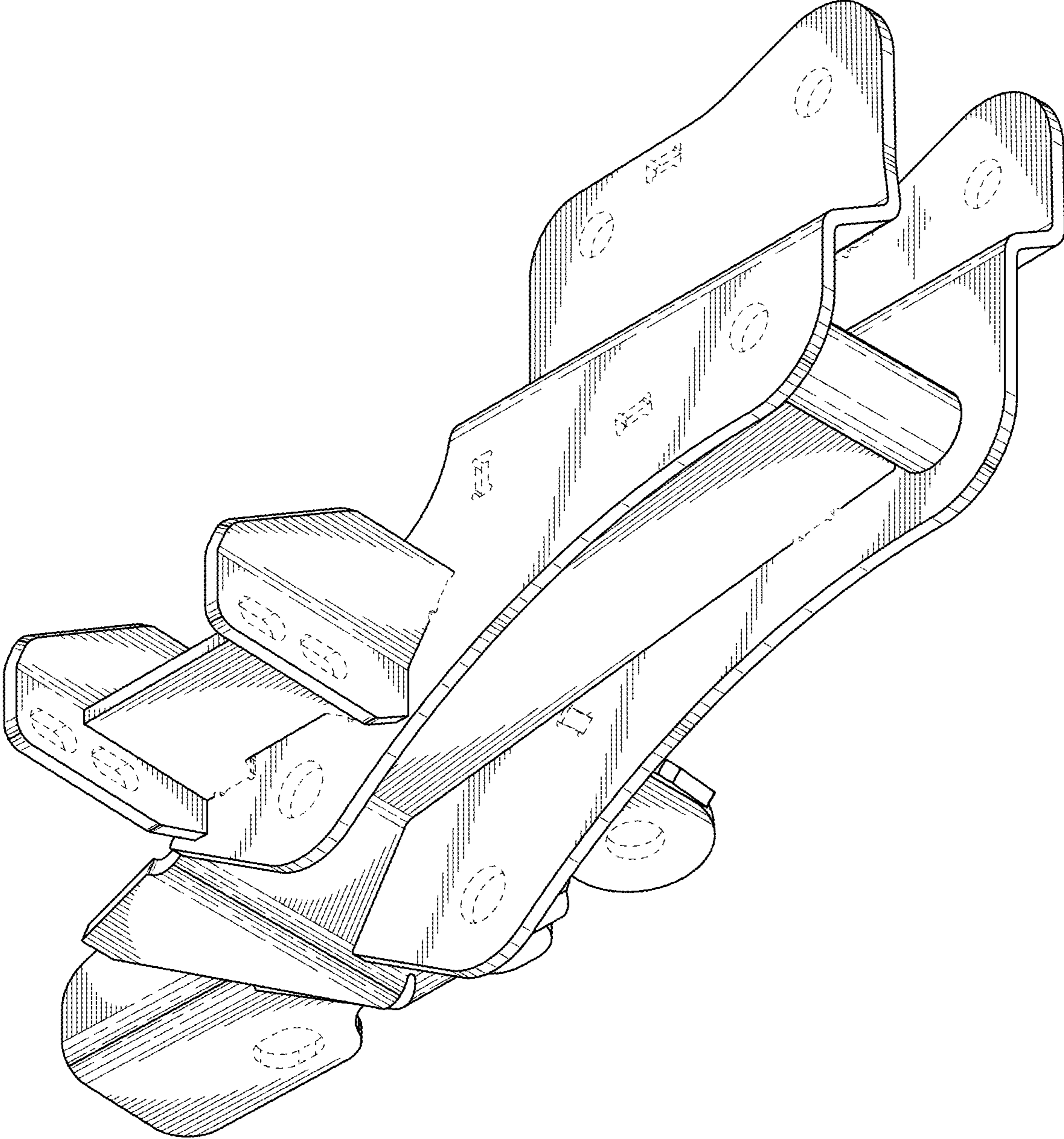


Fig. 2

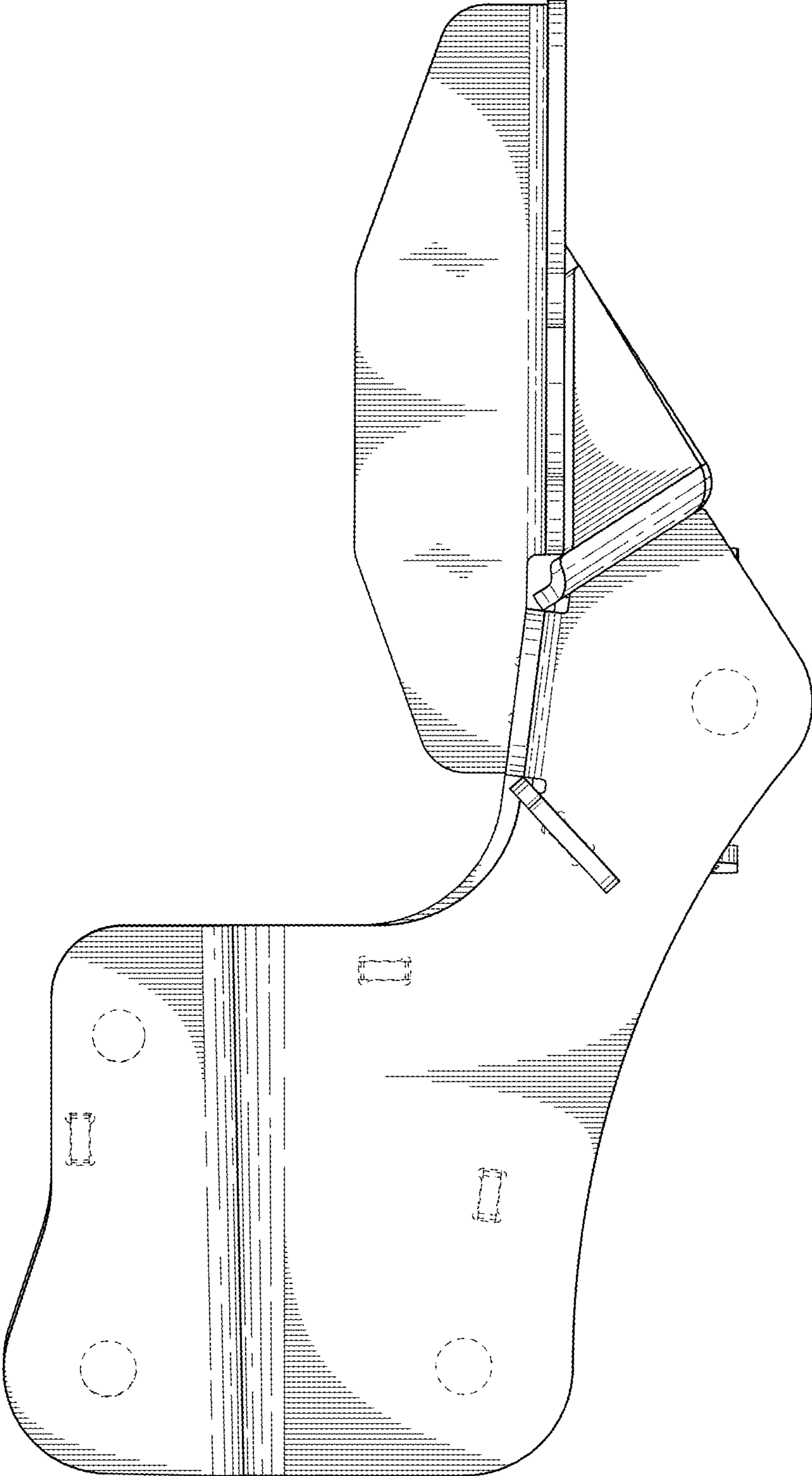


Fig. 3

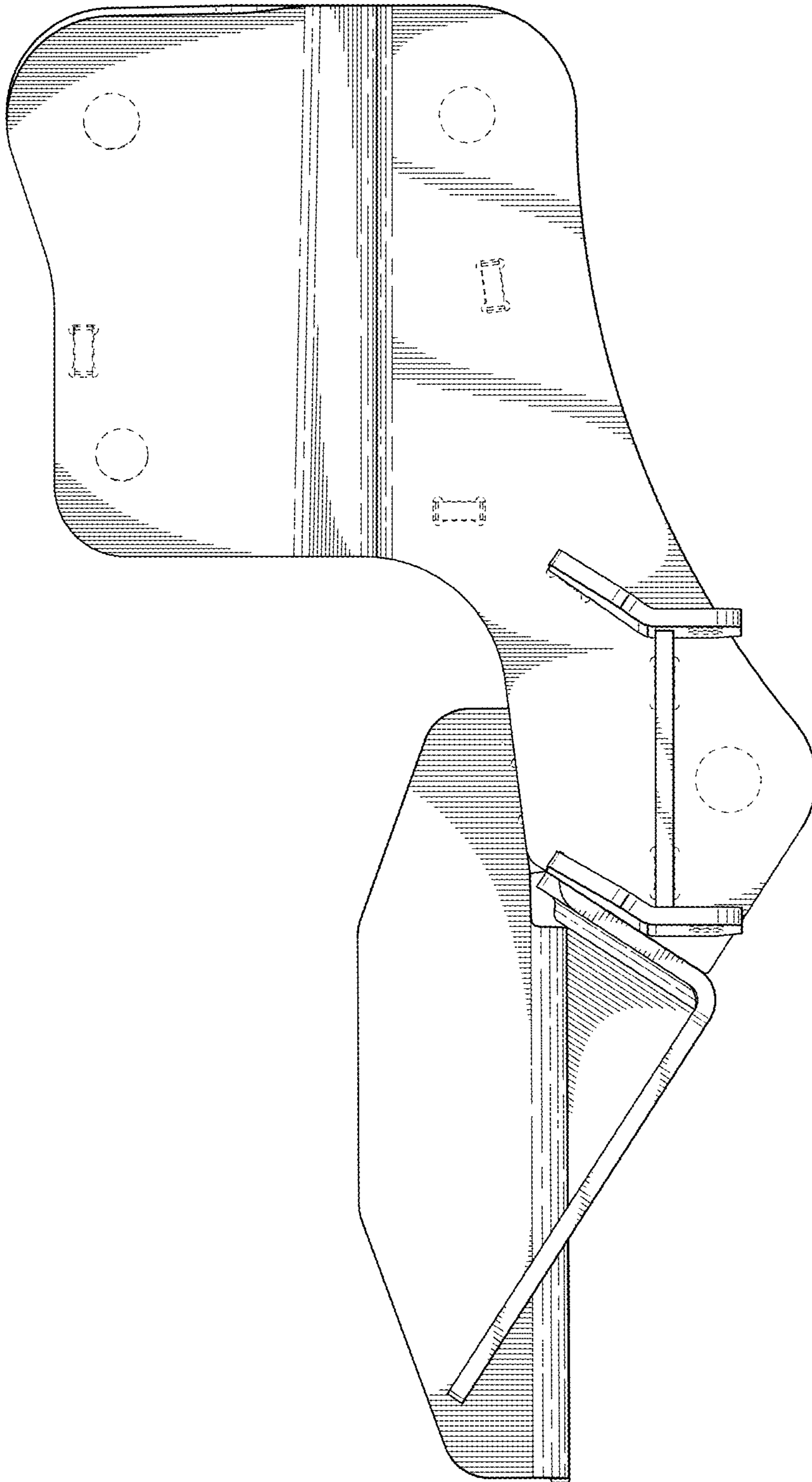


Fig. 4

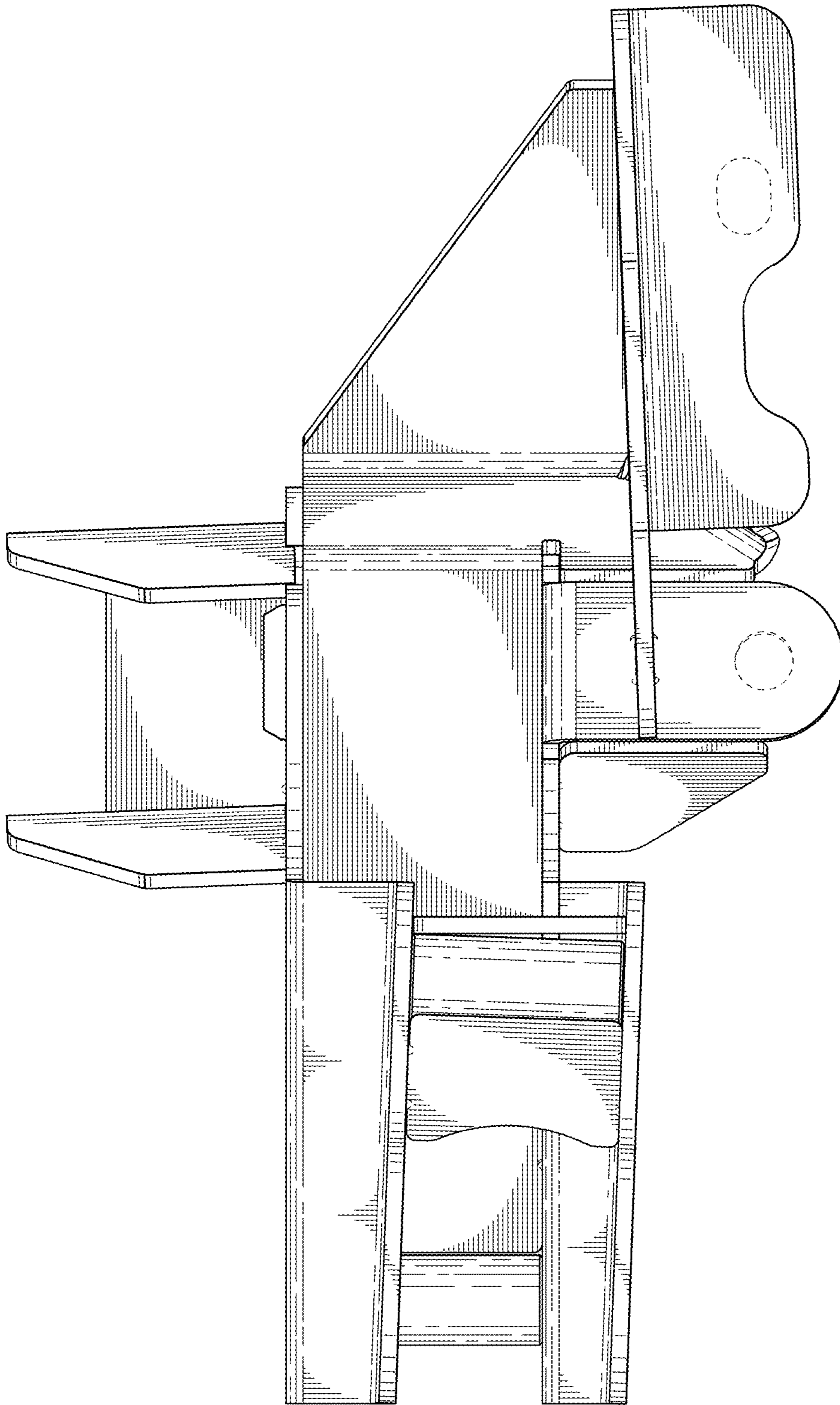


Fig. 5

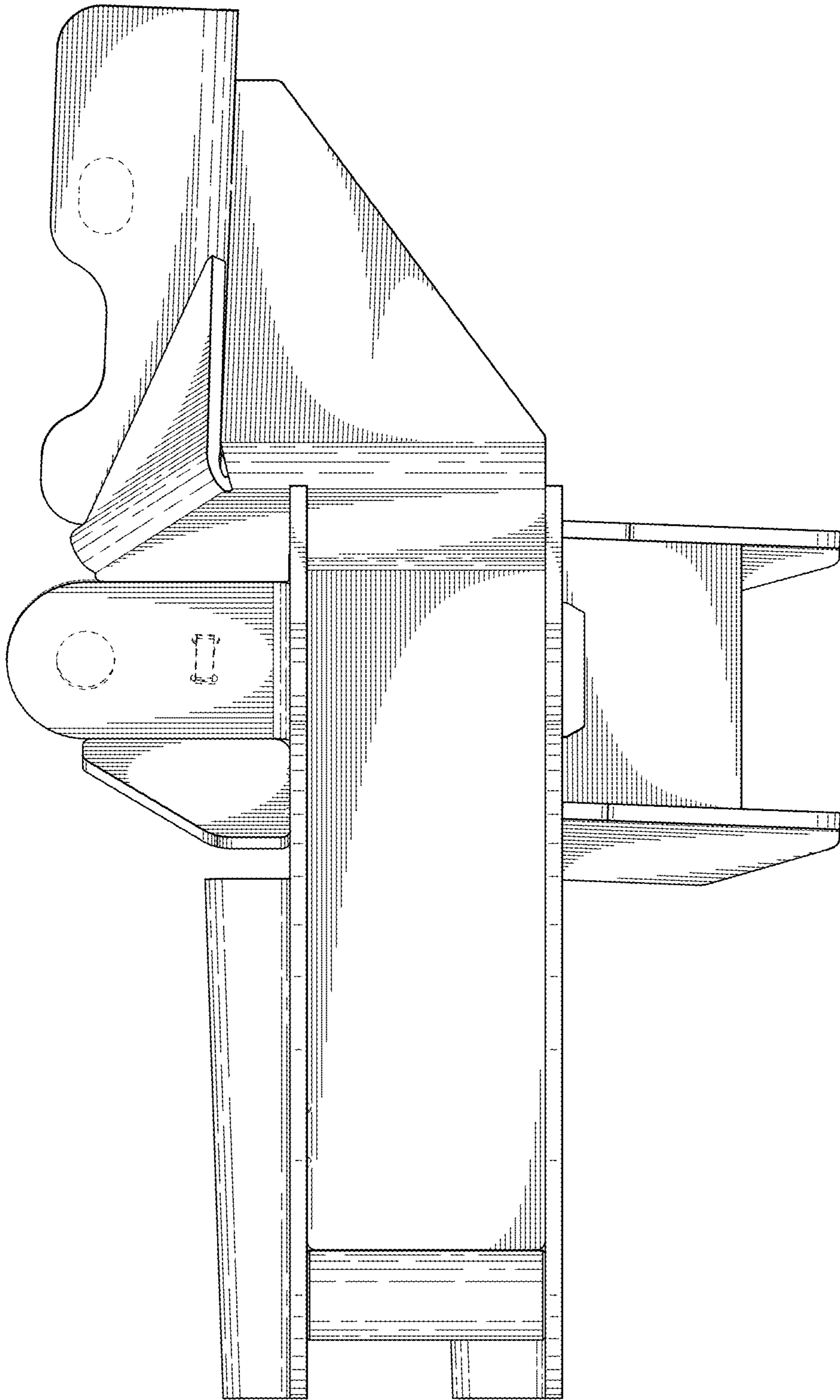


Fig. 6

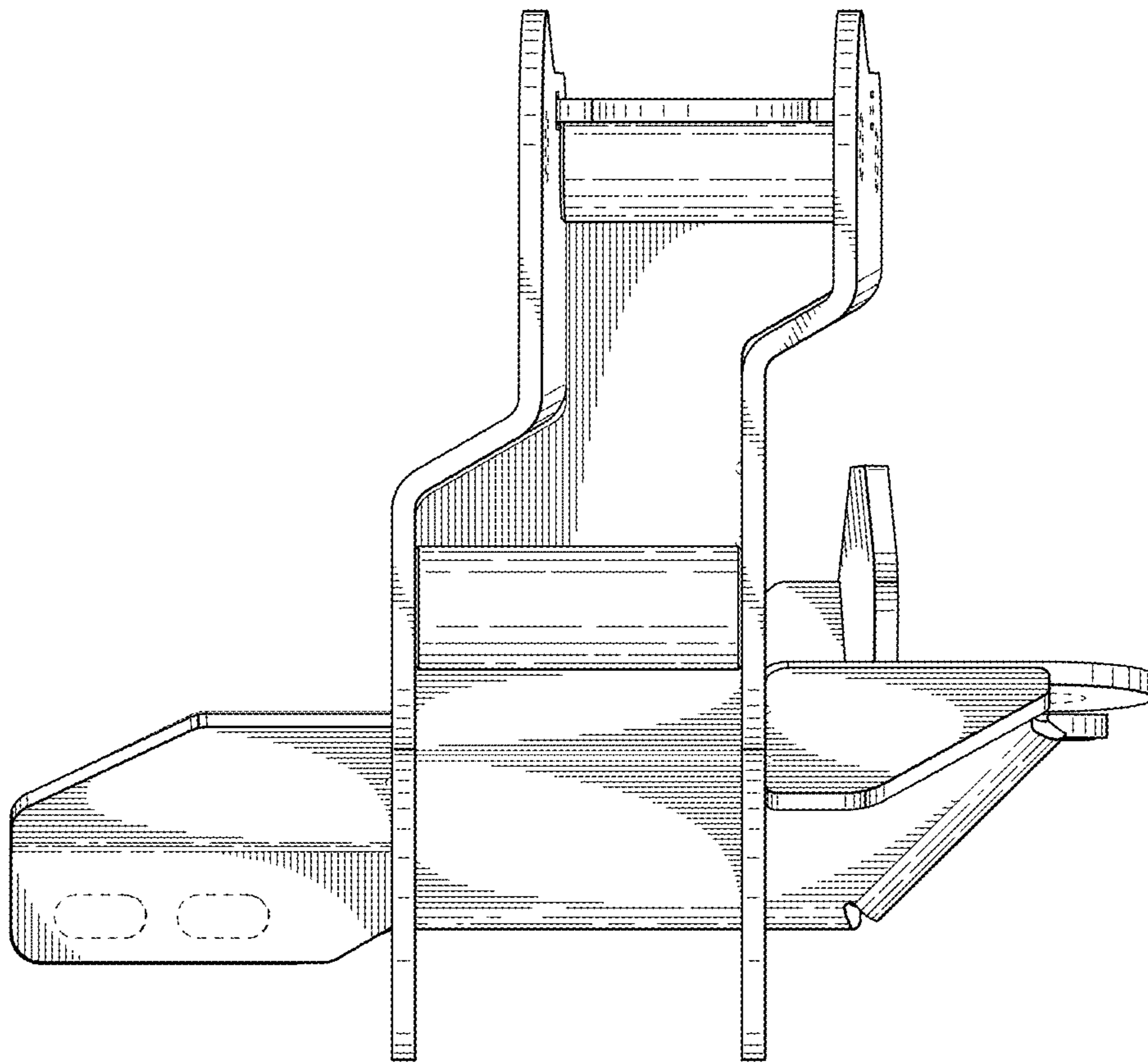


Fig. 7

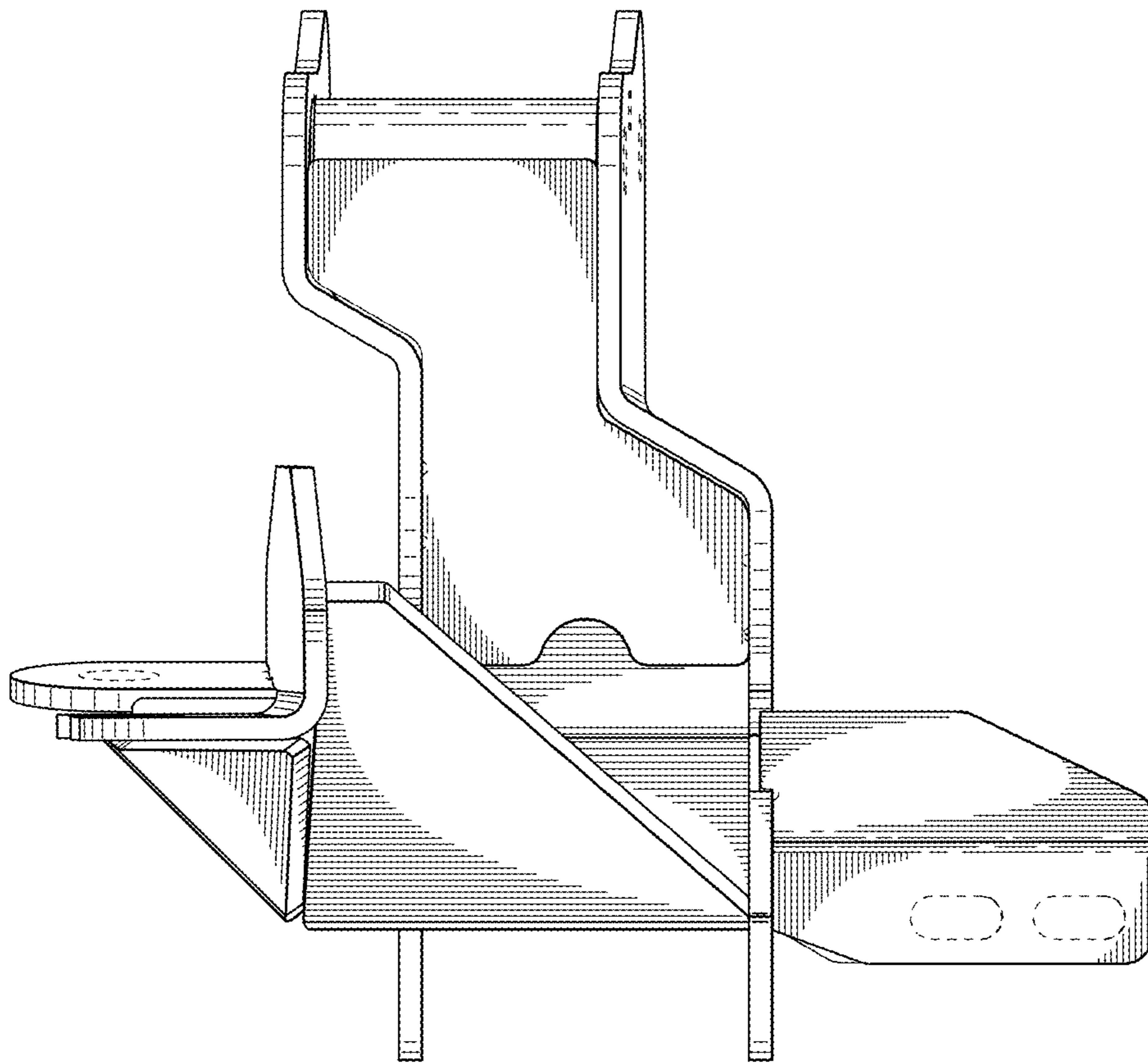


Fig. 8