



US00D931150S

(12) **United States Design Patent**
Kindler et al.

(10) **Patent No.:** **US D931,150 S**

(45) **Date of Patent:** **** Sep. 21, 2021**

(54) **MOTOR HOUSING FOR WHEELED FRAME WITH MOTOR**

(71) Applicant: **Robert Bosch GmbH**, Stuttgart (DE)

(72) Inventors: **Simon Kindler**, Munich (DE); **Philipp Pelzl**, Prien (DE)

(73) Assignee: **Robert Bosch GmbH**, Stuttgart (DE)

(**) Term: **15 Years**

(21) Appl. No.: **29/683,834**

(22) Filed: **Mar. 15, 2019**

(30) **Foreign Application Priority Data**

Sep. 17, 2018 (EM) 005644093

(51) **LOC (13) Cl.** **12-12**

(52) **U.S. Cl.**
USPC **D12/133**

(58) **Field of Classification Search**
USPC D12/128–133
CPC B62B 7/00–04; B62B 9/00–28
See application file for complete search history.

(56) **References Cited**

U.S. PATENT DOCUMENTS

6,378,883 B1 * 4/2002 Epstein A61G 5/04
180/6.5
D742,286 S * 11/2015 Childs D12/133
D772,112 S * 11/2016 Kim D12/129
D780,642 S * 3/2017 Karshmer D12/133
D785,511 S * 5/2017 Barenbrug B60B 7/0026
D12/133
D787,987 S * 5/2017 Kuenen D12/129

(Continued)

Primary Examiner — Charles D Hanson

(74) *Attorney, Agent, or Firm* — Maginot, Moore & Beck LLP

(57) **CLAIM**

The ornamental design for a motor housing for wheeled frame with motor, as shown and described.

DESCRIPTION

Cross reference is made to copending U.S. design patent application Ser. No. 29/683,827 entitled “Wheeled Frame with Motor” by Kindler et al., which was filed on even date herewith; U.S. design patent application Ser. No. 29/683,831 entitled “Wheeled Frame with Motor” by Kindler et al., which was filed on even date herewith; U.S. design patent application Ser. No. 29/683,832 entitled “Battery for Wheeled Frame with Motor” by Kindler et al., which was filed on even date herewith; U.S. design patent application Ser. No. 29/683,838 entitled “Wheeled Frame with Motor” by Gruber et al., which was filed on even date herewith; and U.S. design patent application Ser. No. 29/683,840 entitled “Wheeled Frame with Motor” by Gruber et al., which was filed on even date herewith.

FIG. 1 is a first perspective view of a motor housing for wheeled frame with motor showing our new design;

FIG. 2 is a second perspective view of the motor housing for wheeled frame with motor of FIG. 1;

FIG. 3 is a left side elevational view of the motor housing for wheeled frame with motor of FIG. 1;

FIG. 4 is a right side elevational view of the motor housing for wheeled frame with motor of FIG. 1;

FIG. 5 is a front side elevational view of the motor housing for wheeled frame with motor of FIG. 1;

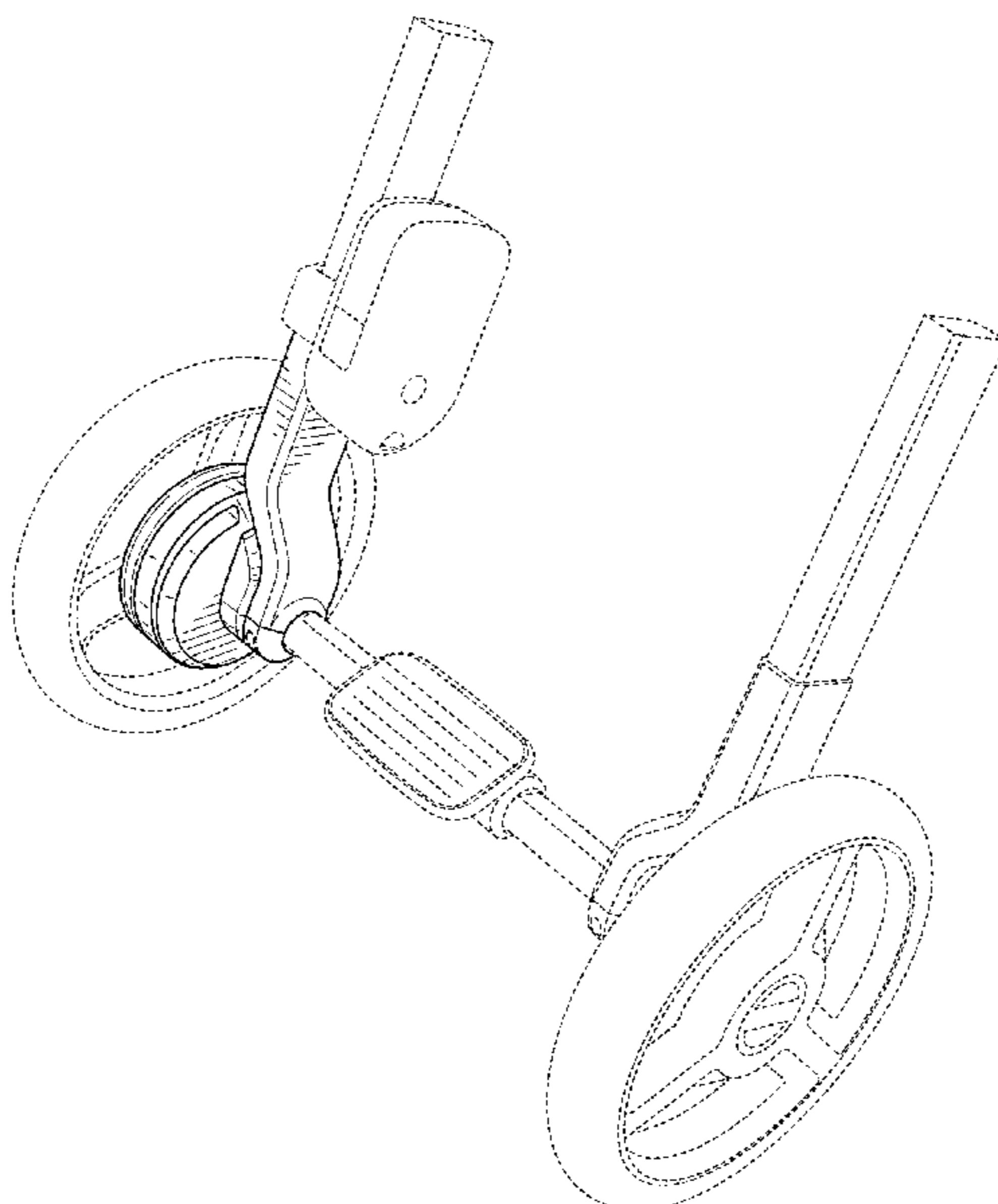
FIG. 6 is a rear side elevational view of the motor housing for wheeled frame with motor of FIG. 1;

FIG. 7 is a top plan view of the motor housing for wheeled frame with motor of FIG. 1; and,

FIG. 8 is a bottom plan view of the motor housing for wheeled frame with motor of FIG. 1.

The broken lines shown in the drawings illustrate portions of the motor housing for wheeled frame with motor that form no part of the claimed design.

1 Claim, 8 Drawing Sheets



(56)

References Cited

U.S. PATENT DOCUMENTS

D789,254	S	*	6/2017	Koshiishi	D12/130
D798,778	S	*	10/2017	Lin	D12/130
D833,918	S	*	11/2018	Gopaul	D12/129
D869,345	S	*	12/2019	Holleis	D12/129
D874,351	S	*	2/2020	Fellingham	D12/130
D886,688	S	*	6/2020	Chan	D12/131
D906,242	S	*	12/2020	Wu	D13/112
D906,900	S	*	1/2021	Walker	D12/129
10,910,907	B2	*	2/2021	Yamada	H02K 5/165
10,918,542	B2	*	2/2021	Daniel	A61G 5/1051
D911,927	S	*	3/2021	Kindler	D13/103
10,933,937	B2	*	3/2021	Shang	B62K 19/40
D915,247	S	*	4/2021	Haley	D12/129

* cited by examiner

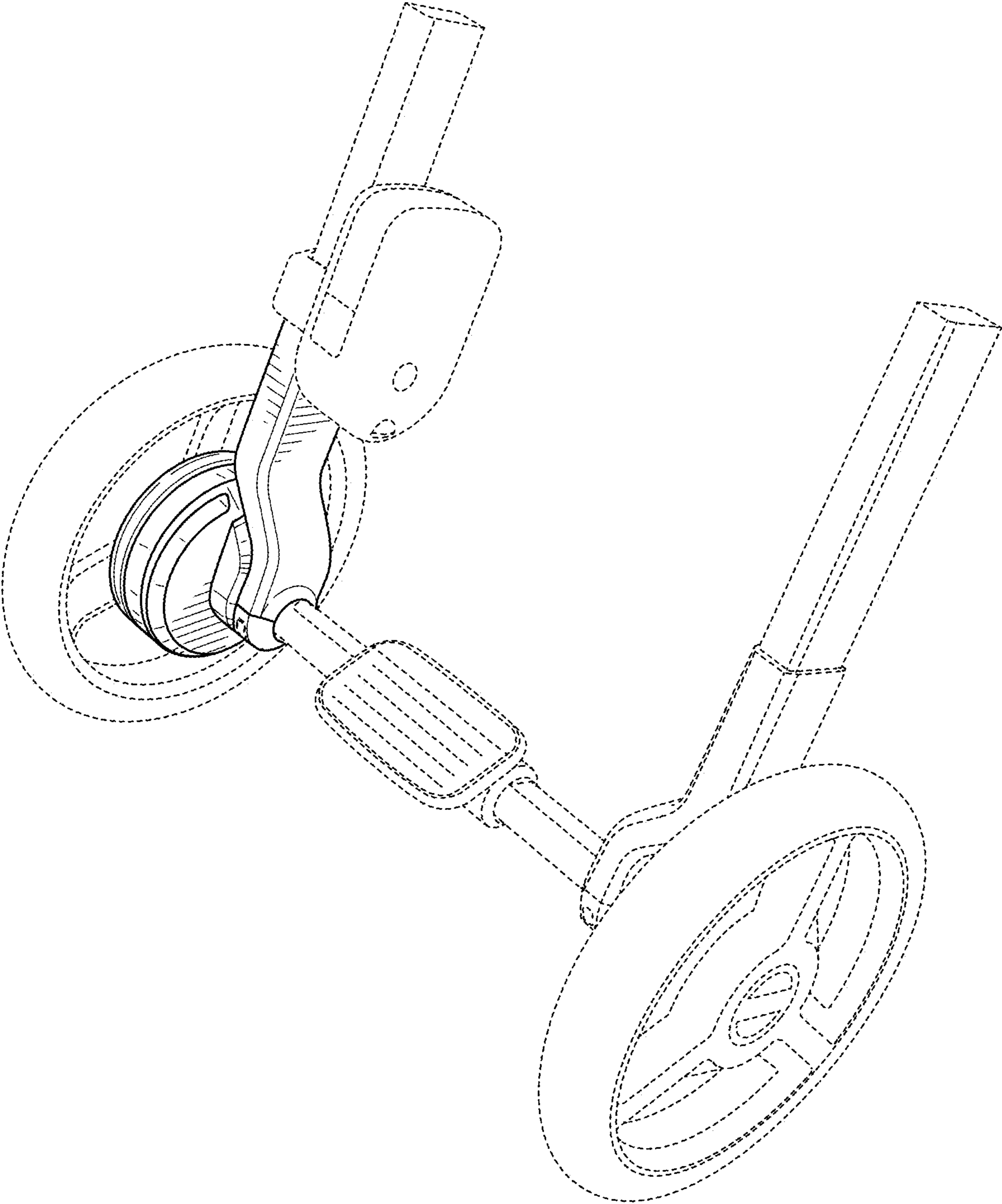


FIG. 1

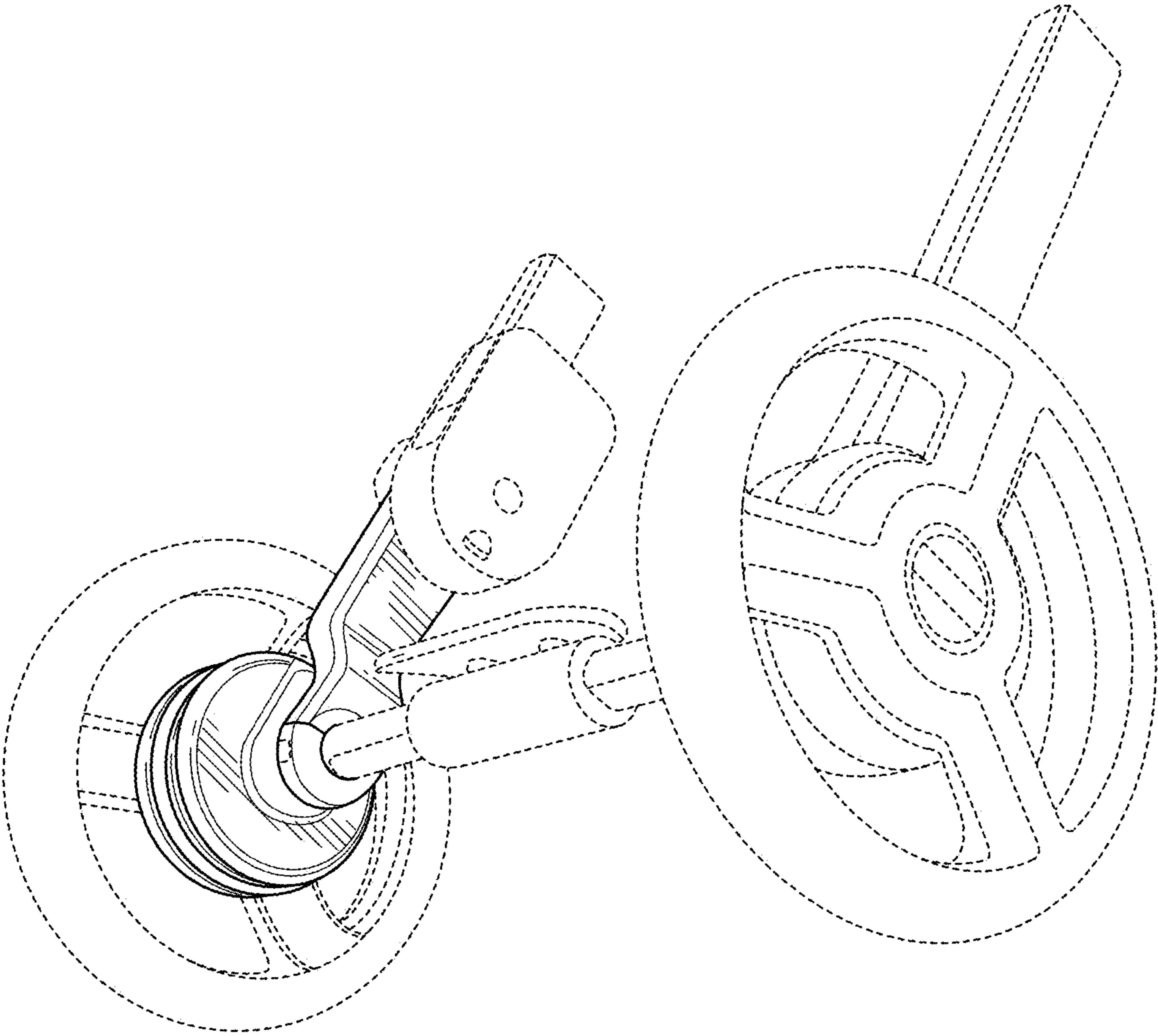


FIG. 2

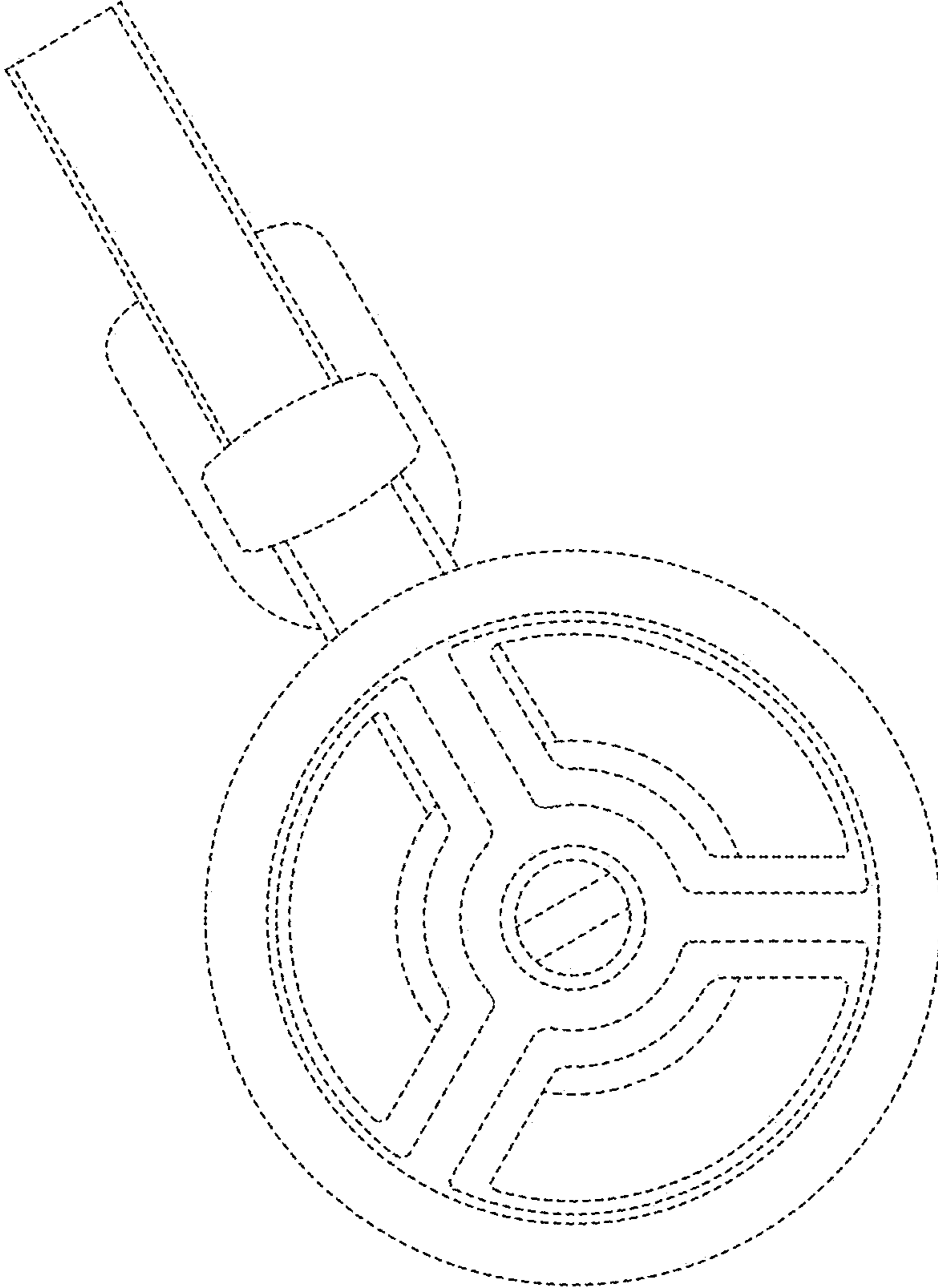


FIG. 3

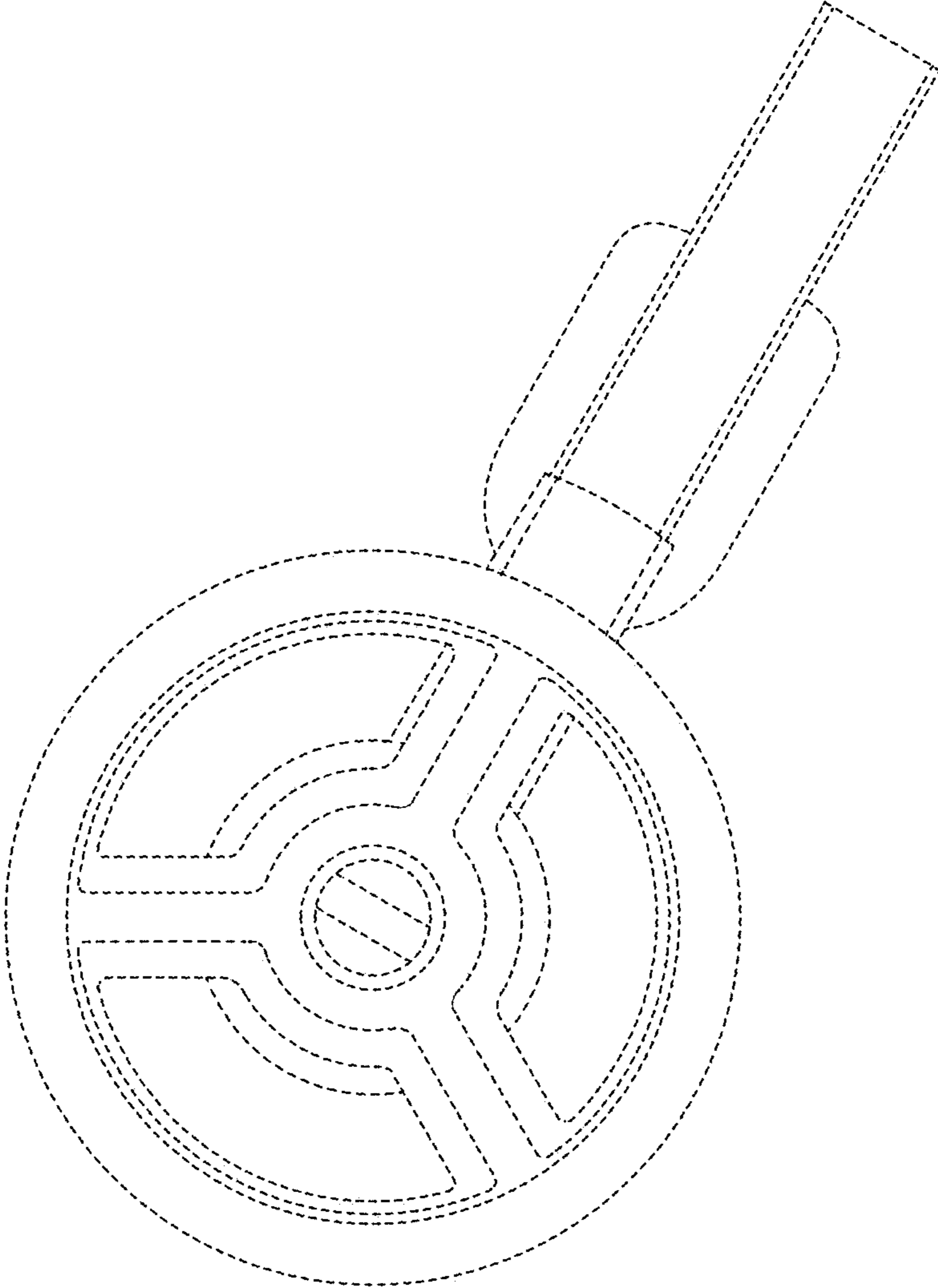


FIG. 4

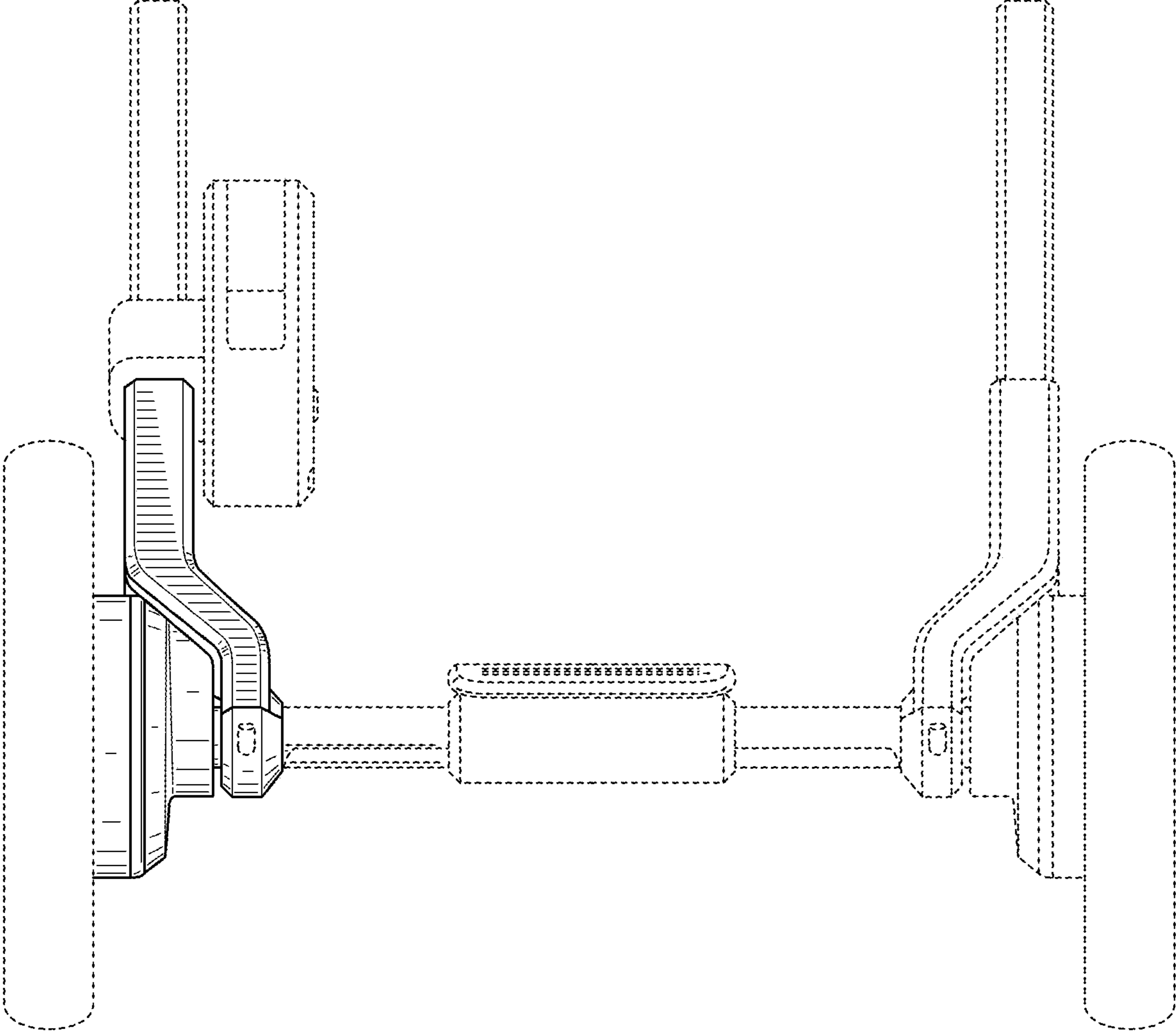


FIG. 5

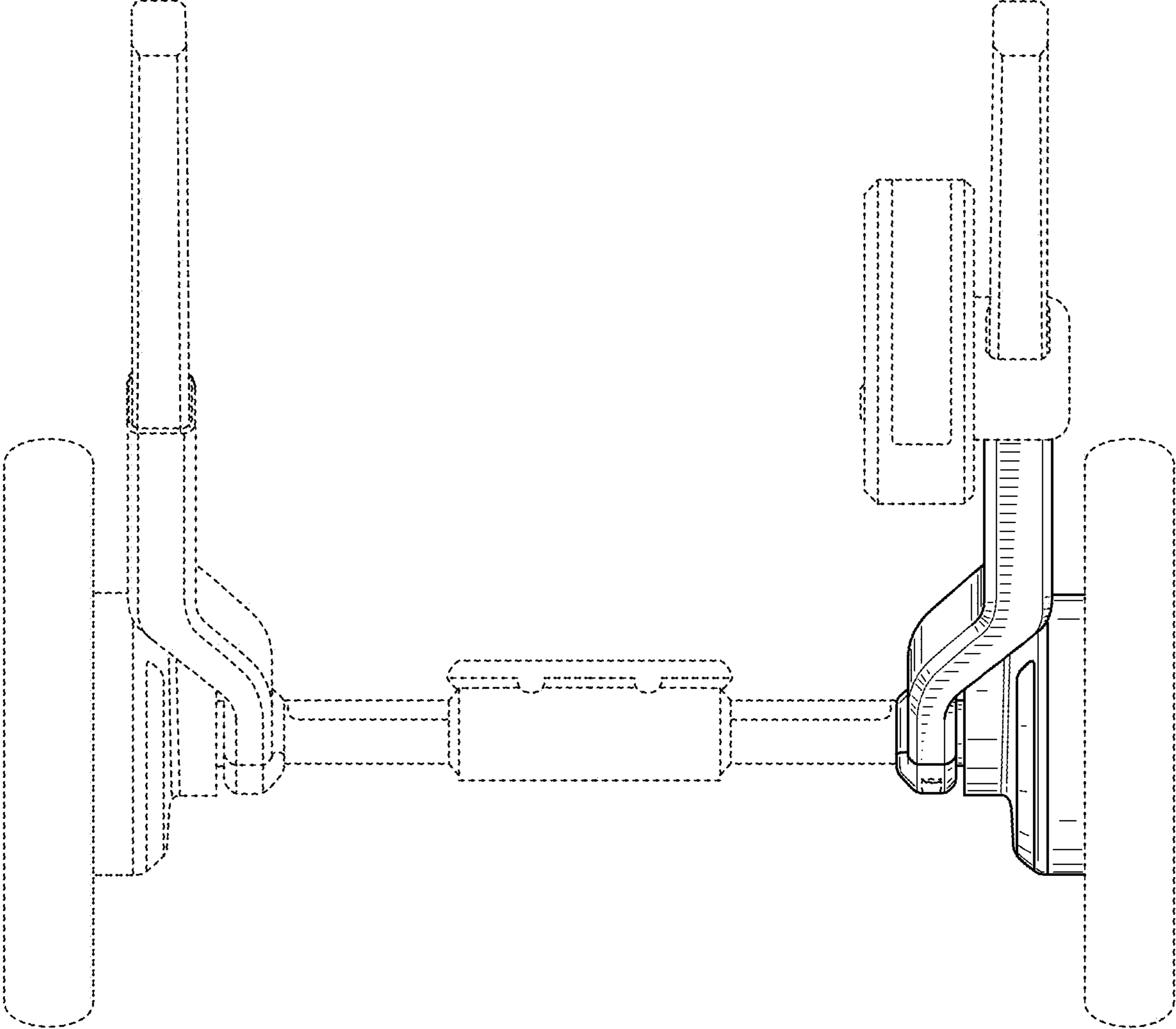


FIG. 6

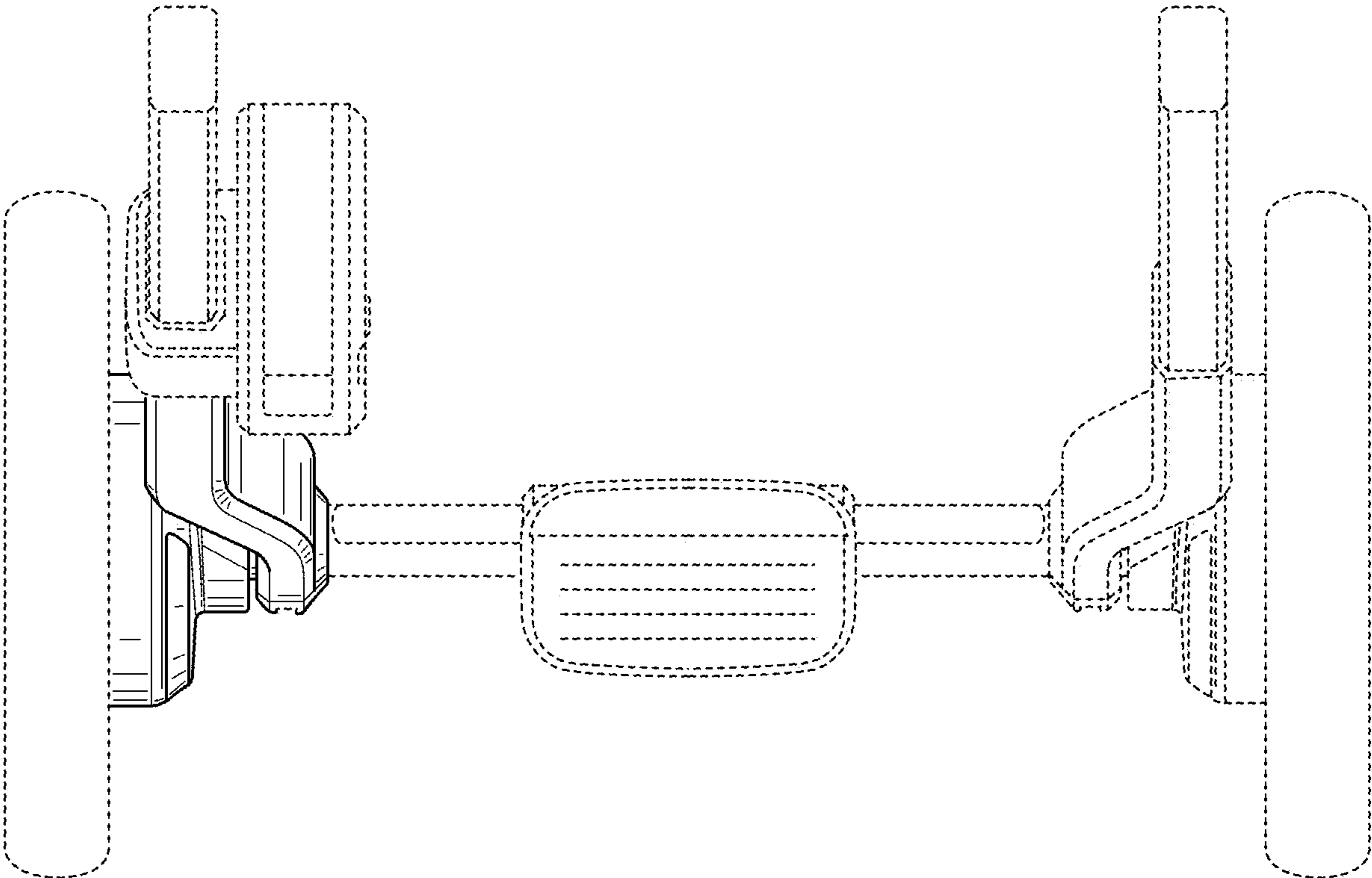


FIG. 7

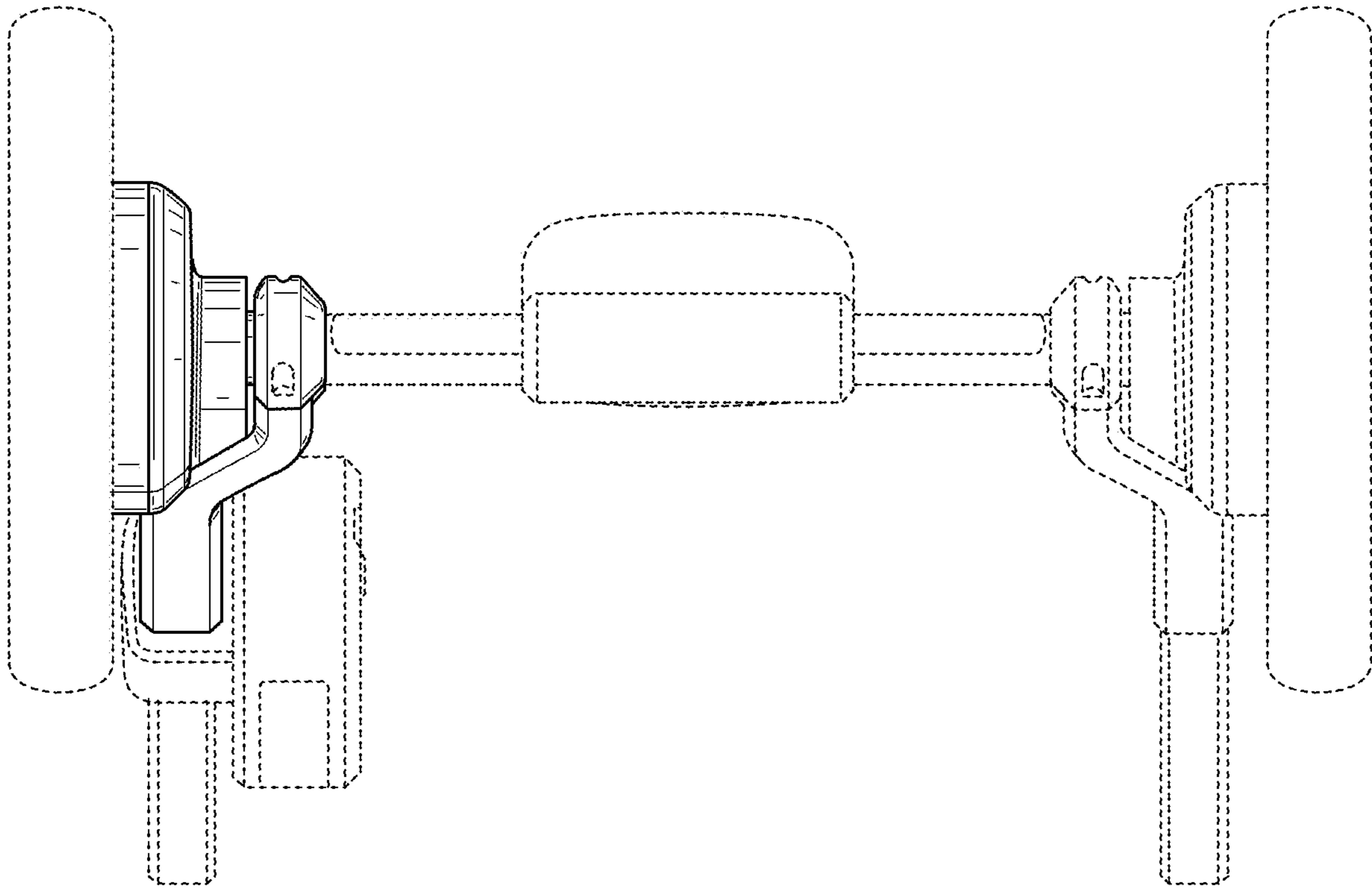


FIG. 8