



US00D931149S

(12) **United States Design Patent**
Kindler et al.

(10) **Patent No.:** **US D931,149 S**
(45) **Date of Patent:** **** Sep. 21, 2021**

(54) **WHEELED FRAME WITH MOTOR**

(71) Applicant: **Robert Bosch GmbH**, Stuttgart (DE)

(72) Inventors: **Simon Kindler**, Munich (DE); **Philipp Pelzl**, Prien (DE)

(73) Assignee: **Robert Bosch GmbH**, Stuttgart (DE)

(**) Term: **15 Years**

(21) Appl. No.: **29/683,831**

(22) Filed: **Mar. 15, 2019**

(30) **Foreign Application Priority Data**

Sep. 17, 2018 (EM) 005644093

(51) **LOC (13) Cl.** **12-12**

(52) **U.S. Cl.**
USPC **D12/133**

(58) **Field of Classification Search**
USPC D12/128–133
CPC B62B 7/00–04; B62B 9/00–28
See application file for complete search history.

(56) **References Cited**

U.S. PATENT DOCUMENTS

- 6,378,883 B1 * 4/2002 Epstein A61G 5/04
180/6.5
- D742,286 S * 11/2015 Childs D12/133
- D772,112 S * 11/2016 Kim D12/129
- D780,642 S * 3/2017 Karshmer D12/133
- D785,511 S * 5/2017 Barenbrug B60B 7/0026
D12/133
- D787,987 S * 5/2017 Kuenen D12/129

(Continued)

Primary Examiner — Charles D Hanson

(74) *Attorney, Agent, or Firm* — Maginot, Moore & Beck LLP

(57) **CLAIM**

The ornamental design for a wheeled frame with motor, as shown and described.

DESCRIPTION

Cross reference is made to copending U.S. design patent application Ser. No. 29/683,827 entitled “Wheeled Frame with Motor” by Kindler et al., which was filed on even date herewith; U.S. design patent application Ser. No. 29/683,832 entitled “Battery for Wheeled Frame with Motor” by Kindler et al., which was filed on even date herewith; U.S. design patent application Ser. No. 29/683,834 entitled “Motor Housing for Wheeled Frame with Motor” by Kindler et al., which was filed on even date herewith; U.S. design patent application Ser. No. 29/683,838 entitled “Wheeled Frame with Motor” by Gruber et al., which was filed on even date herewith; and U.S. design patent application Ser. No. 29/683,840 entitled “Wheeled Frame with Motor” by Gruber et al., which was filed on even date herewith.

FIG. 1 is a first perspective view of a wheeled frame with motor showing our new design;

FIG. 2 is a second perspective view of the wheeled frame with motor of FIG. 1;

FIG. 3 is a left side elevational view of the wheeled frame with motor of FIG. 1;

FIG. 4 is a right side elevational view of the wheeled frame with motor of FIG. 1;

FIG. 5 is a front side elevational view of the wheeled frame with motor of FIG. 1;

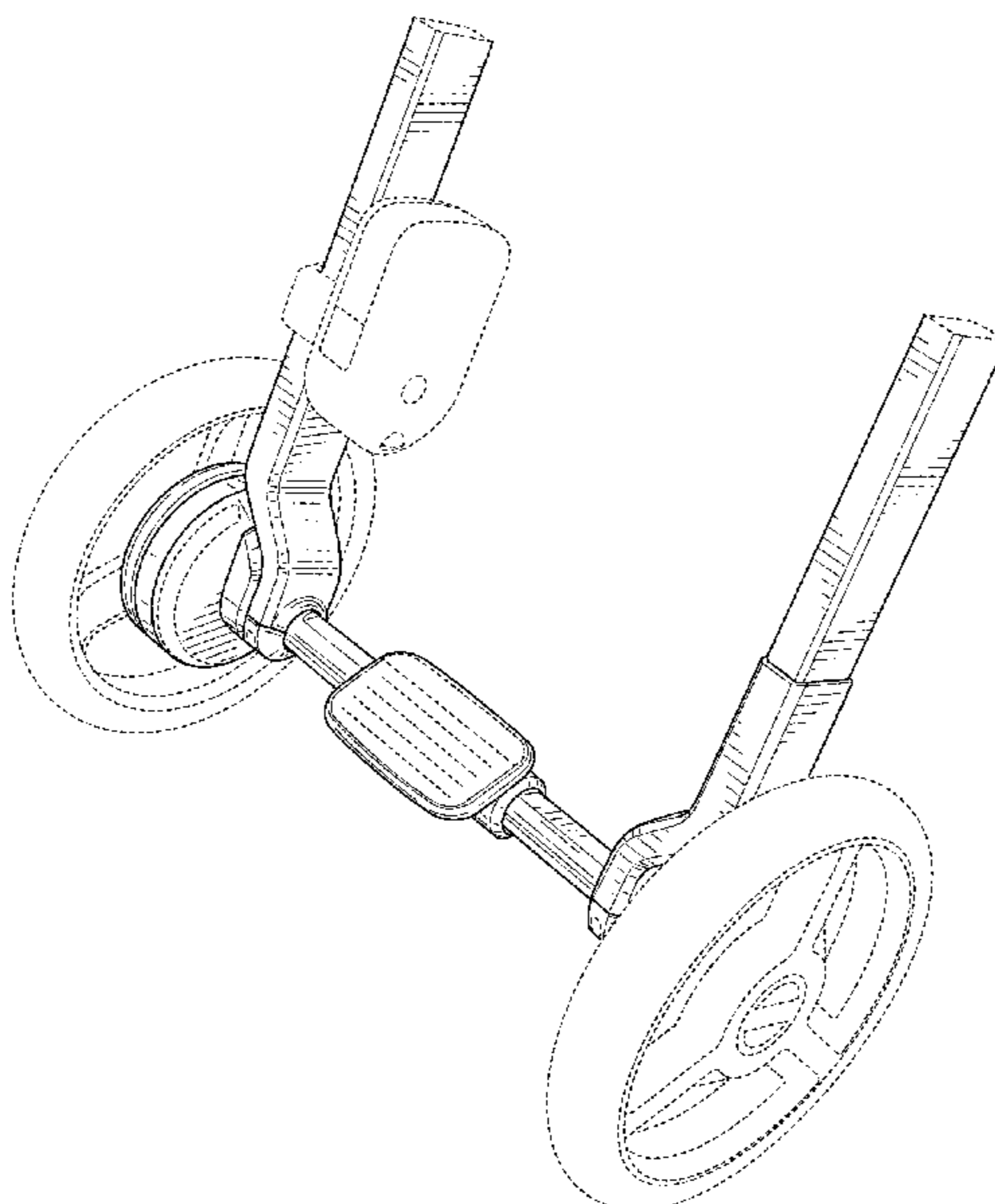
FIG. 6 is a rear side elevational view of the wheeled frame with motor of FIG. 1;

FIG. 7 is a top plan view of the wheeled frame with motor of FIG. 1; and,

FIG. 8 is a bottom plan view of the wheeled frame with motor of FIG. 1.

The broken lines shown in the drawings illustrate portions of the wheeled frame with motor that form no part of the claimed design.

1 Claim, 8 Drawing Sheets



(56)

References Cited

U.S. PATENT DOCUMENTS

D789,254 S * 6/2017 Koshiishi D12/130
D798,778 S * 10/2017 Lin D12/130
D833,918 S * 11/2018 Gopaul D12/129
D869,345 S * 12/2019 Holleis D12/129
D874,351 S * 2/2020 Fellingham D12/130
D886,688 S * 6/2020 Chan D12/131
D906,242 S * 12/2020 Wu D13/112
D906,900 S * 1/2021 Walker D12/129
10,910,907 B2 * 2/2021 Yamada H02K 5/165
10,918,542 B2 * 2/2021 Daniel A61G 5/1051
D911,927 S * 3/2021 Kindler D13/103
10,933,937 B2 * 3/2021 Shang B62K 19/40
D915,247 S * 4/2021 Haley D12/129

* cited by examiner

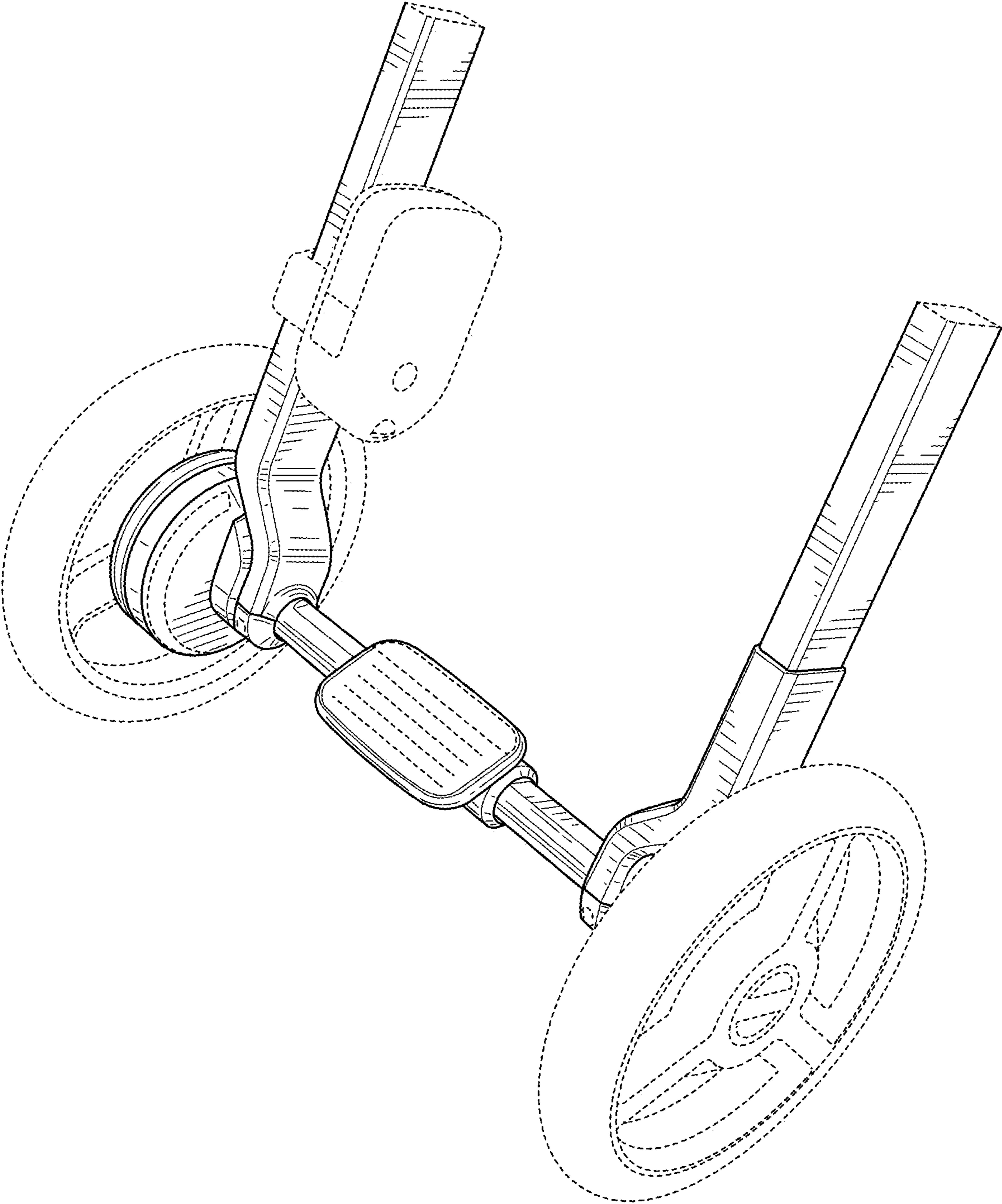


FIG. 1

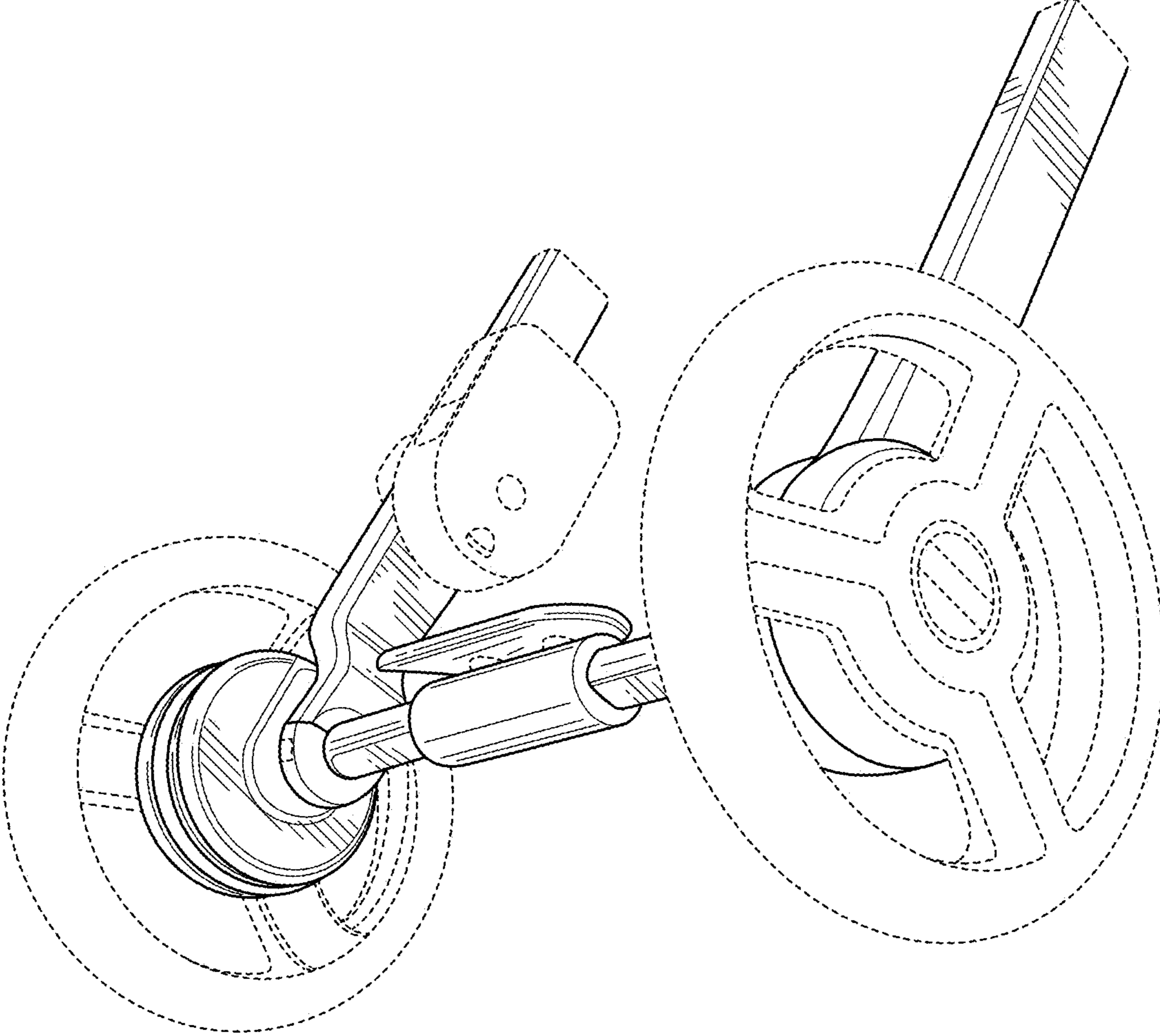


FIG. 2

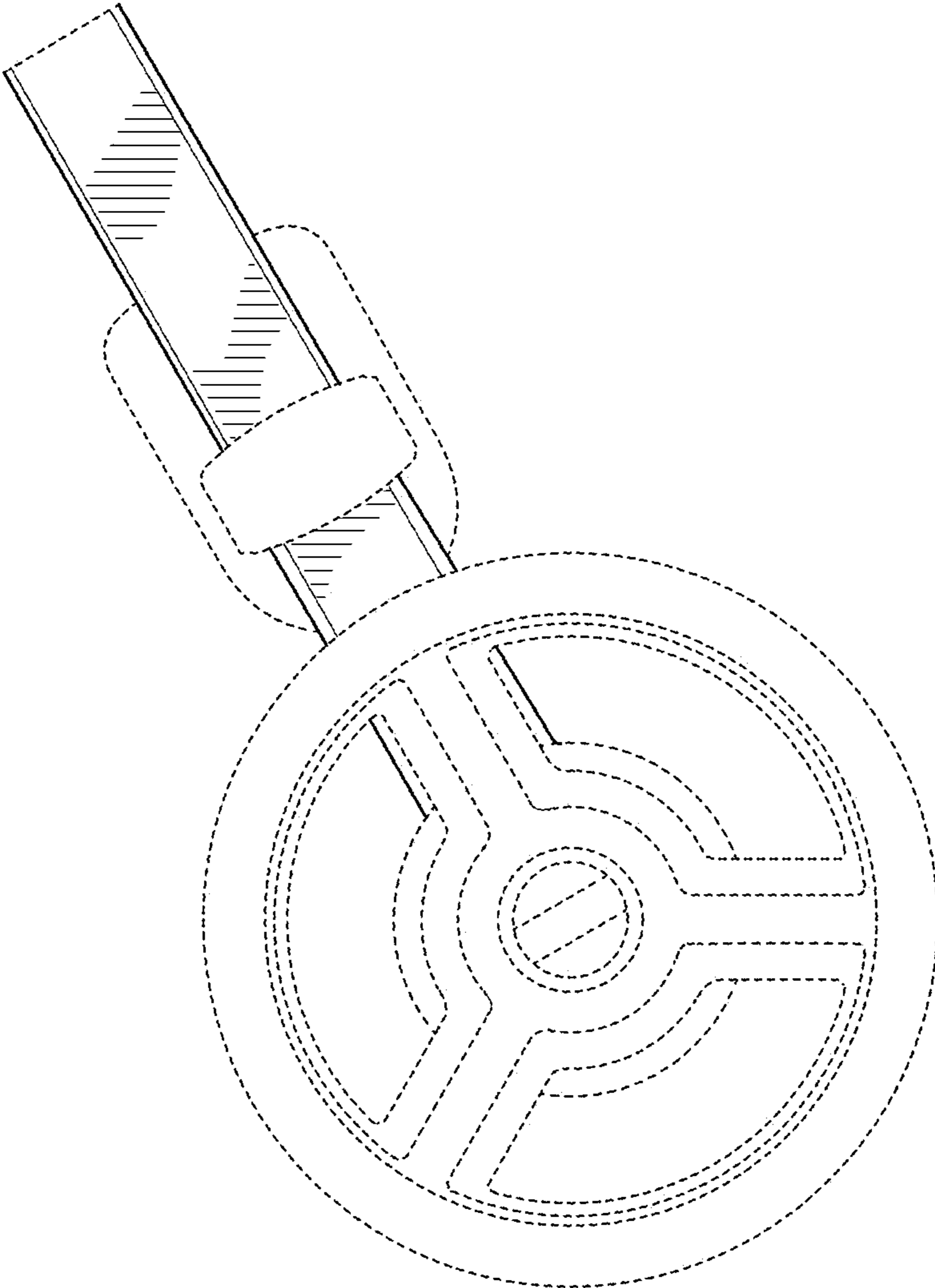


FIG. 3

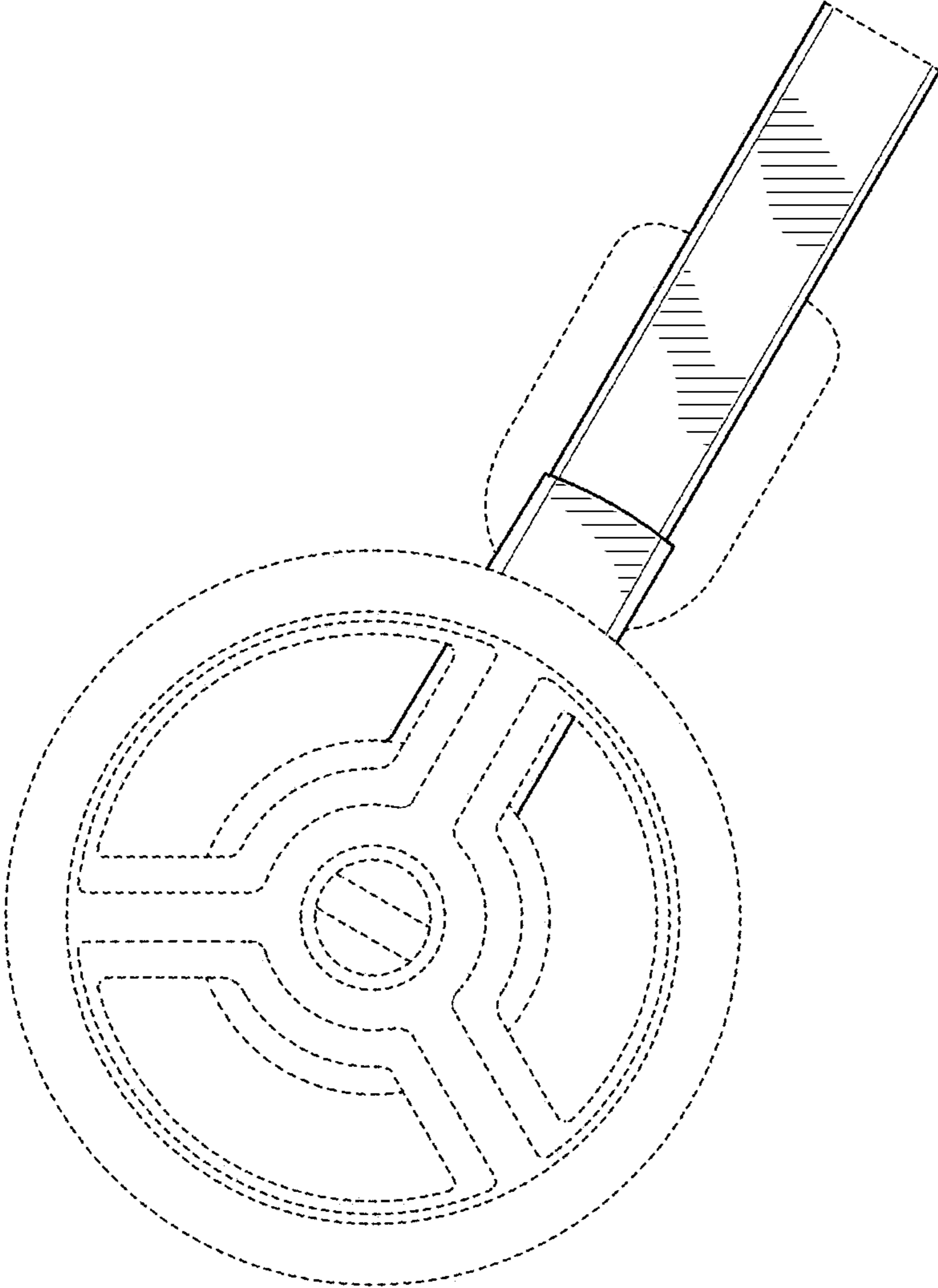


FIG. 4

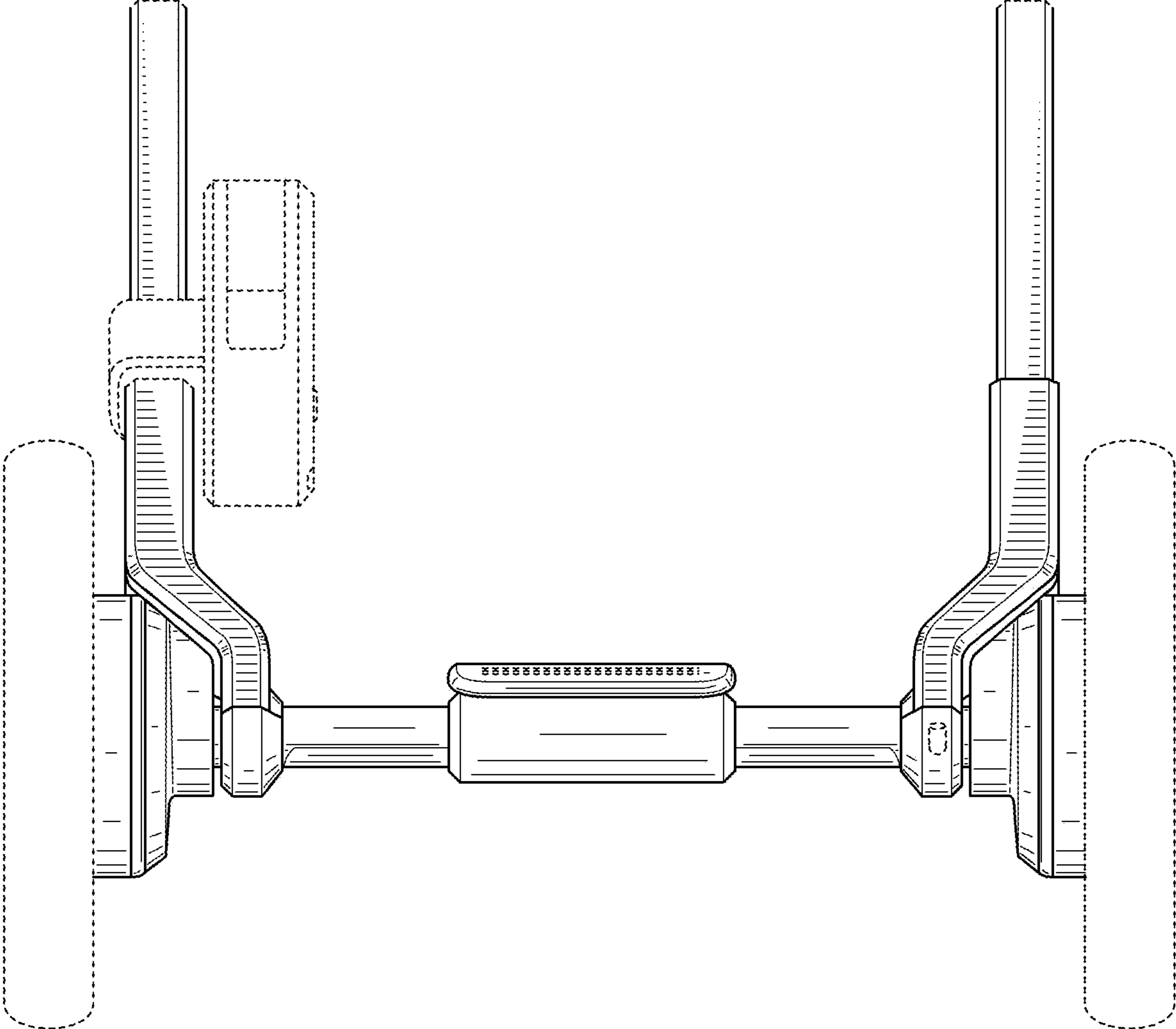


FIG. 5

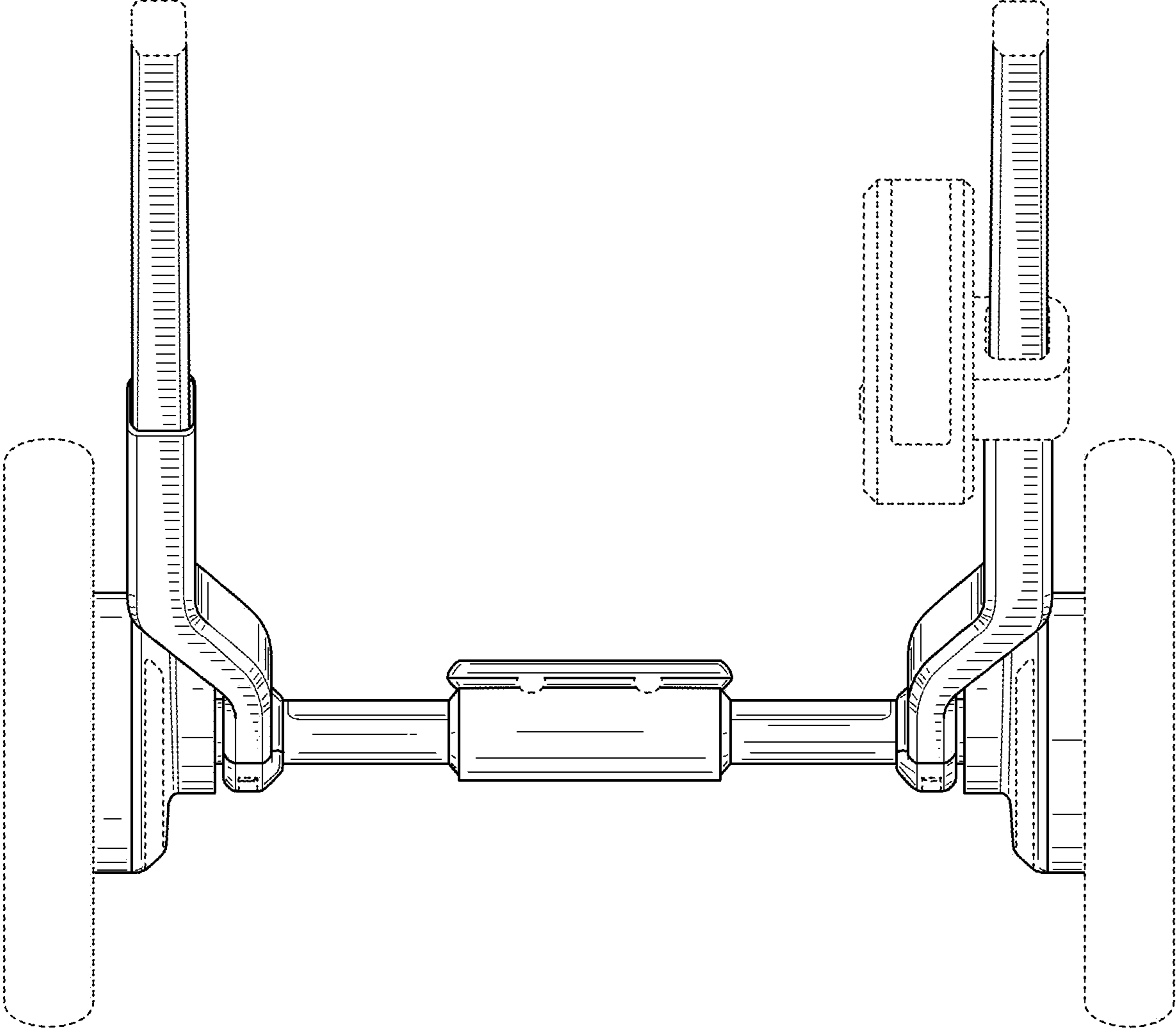


FIG. 6

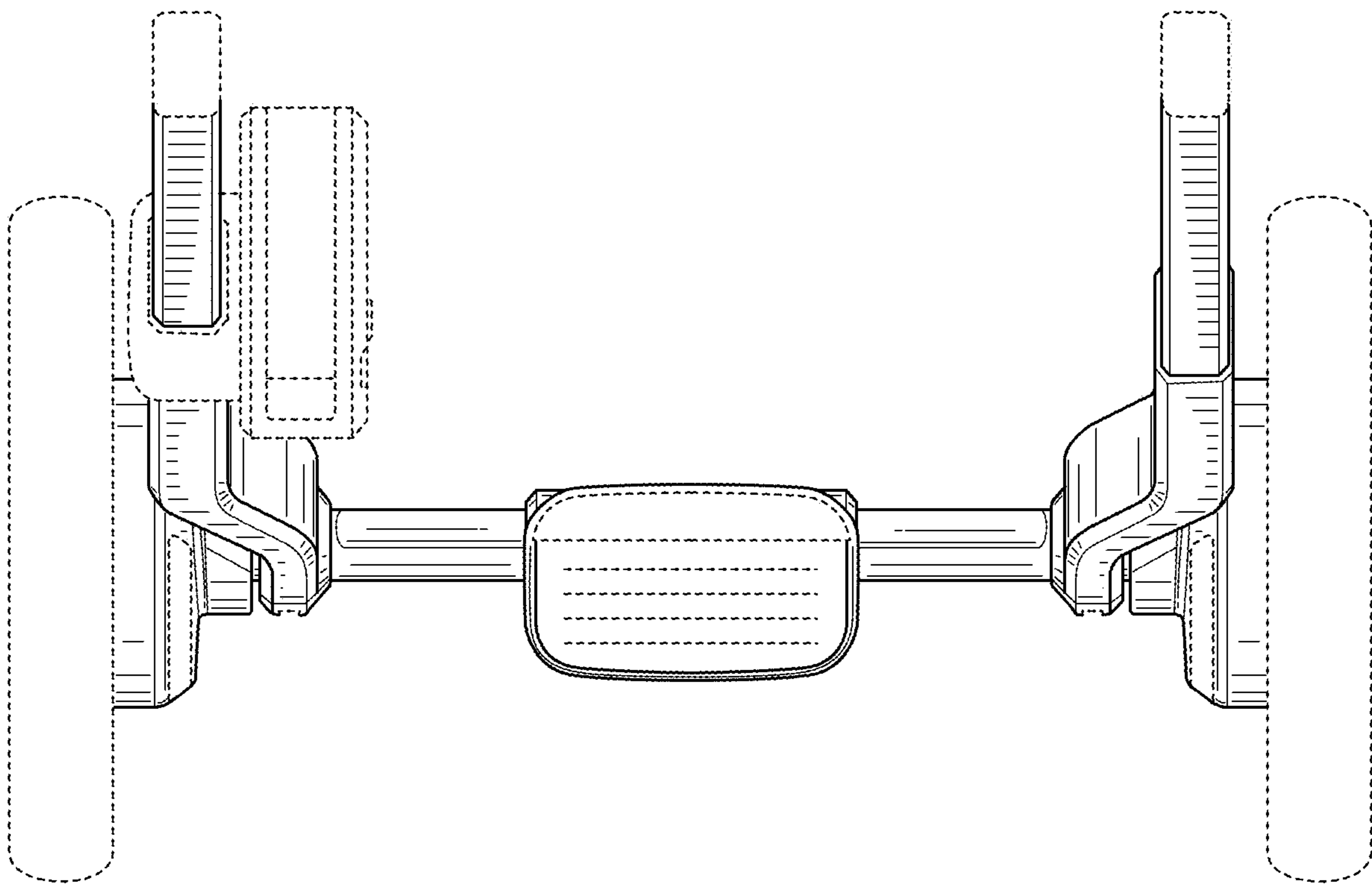


FIG. 7

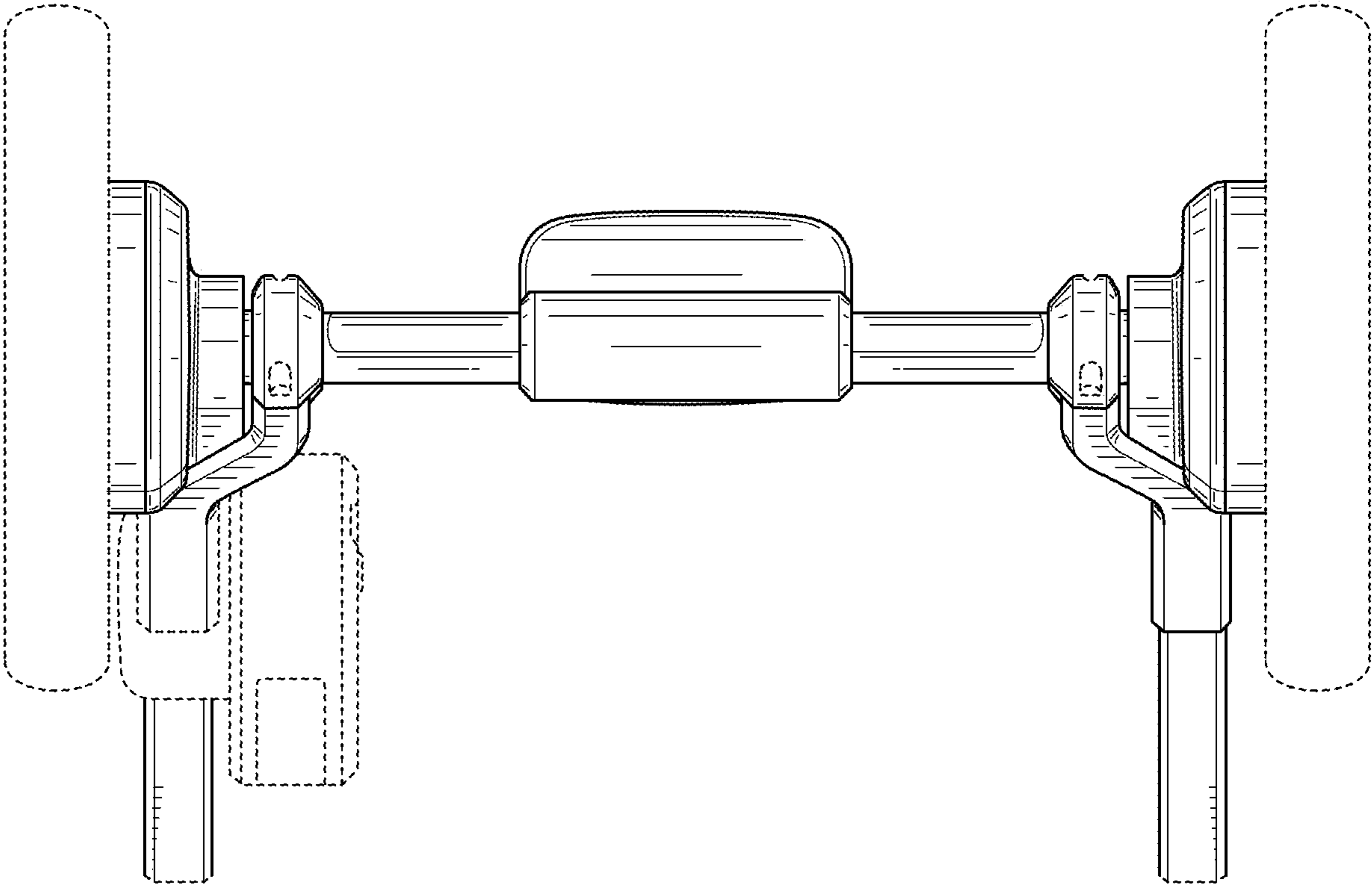


FIG. 8