



US00D931148S

(12) **United States Design Patent**  
**Kindler et al.**

(10) **Patent No.:** **US D931,148 S**  
(45) **Date of Patent:** **\*\* Sep. 21, 2021**

(54) **WHEELED FRAME WITH MOTOR**

(71) Applicant: **Robert Bosch GmbH**, Stuttgart (DE)

(72) Inventors: **Simon Kindler**, Munich (DE); **Philipp Pelzl**, Prien (DE)

(73) Assignee: **Robert Bosch GmbH**, Stuttgart (DE)

(\*\*) Term: **15 Years**

(21) Appl. No.: **29/683,827**

(22) Filed: **Mar. 15, 2019**

(30) **Foreign Application Priority Data**

Sep. 17, 2018 (EM) ..... 005644093

(51) **LOC (13) Cl.** ..... **12-12**

(52) **U.S. Cl.**  
USPC ..... **D12/133**

(58) **Field of Classification Search**  
USPC ..... D12/128–133  
CPC ..... B62B 7/00–04; B62B 9/00–28  
See application file for complete search history.

(56) **References Cited**

**U.S. PATENT DOCUMENTS**

- 6,378,883 B1 \* 4/2002 Epstein ..... A61G 5/04  
180/6.5
- D742,286 S \* 11/2015 Childs ..... D12/133
- D772,112 S \* 11/2016 Kim ..... D12/129
- D780,642 S \* 3/2017 Karshmer ..... D12/133
- D785,511 S \* 5/2017 Barenbrug ..... B60B 7/0026  
D12/133
- D787,987 S \* 5/2017 Kuenen ..... D12/129

(Continued)

*Primary Examiner* — Charles D Hanson

(74) *Attorney, Agent, or Firm* — Maginot, Moore & Beck LLP

(57) **CLAIM**

The ornamental design for a wheeled frame with motor, as shown and described.

**DESCRIPTION**

Cross reference is made to copending U.S. design patent application Ser. No. 29/683,831 entitled “Wheeled Frame with Motor” by Kindler et al., which was filed on even date herewith; U.S. design patent application Ser. No. 29/683,832 entitled “Battery for Wheeled Frame with Motor” by Kindler et al., which was filed on even date herewith; U.S. design patent application Ser. No. 29/683,834 entitled “Motor Housing for Wheeled Frame with Motor” by Kindler et al., which was filed on even date herewith; U.S. design patent application Ser. No. 29/683,838 entitled “Wheeled Frame with Motor” by Gruber et al., which was filed on even date herewith; and U.S. design patent application Ser. No. 29/683,840 entitled “Wheeled Frame with Motor” by Gruber et al., which was filed on even date herewith.

FIG. 1 is a first perspective view of a wheeled frame with motor showing our new design;

FIG. 2 is a second perspective view of the wheeled frame with motor of FIG. 1;

FIG. 3 is a left side elevational view of the wheeled frame with motor of FIG. 1;

FIG. 4 is a right side elevational view of the wheeled frame with motor of FIG. 1;

FIG. 5 is a front side elevational view of the wheeled frame with motor of FIG. 1;

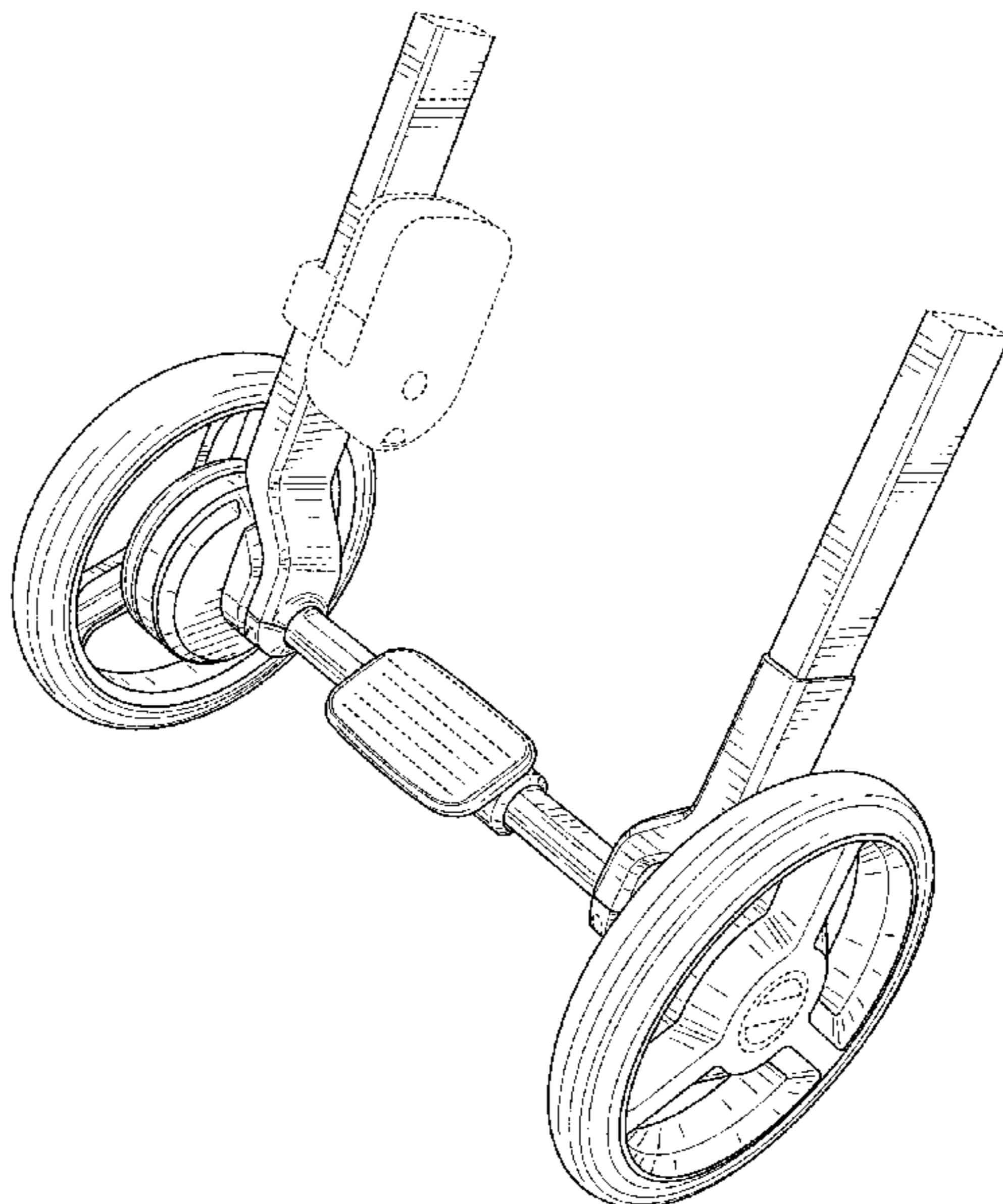
FIG. 6 is a rear side elevational view of the wheeled frame with motor of FIG. 1;

FIG. 7 is a top plan view of the wheeled frame with motor of FIG. 1; and,

FIG. 8 is a bottom plan view of the wheeled frame with motor of FIG. 1.

The broken lines shown in the drawings illustrate portions of the wheeled frame with motor that form no part of the claimed design.

**1 Claim, 8 Drawing Sheets**



(56)

**References Cited**

U.S. PATENT DOCUMENTS

D789,254	S	*	6/2017	Koshiishi	.....	D12/130
D798,778	S	*	10/2017	Lin	.....	D12/130
D833,918	S	*	11/2018	Gopaul	.....	D12/129
D869,345	S	*	12/2019	Holleis	.....	D12/129
D874,351	S	*	2/2020	Fellingham	.....	D12/130
D886,688	S	*	6/2020	Chan	.....	D12/131
D906,242	S	*	12/2020	Wu	.....	D13/112
D906,900	S	*	1/2021	Walker	.....	D12/129
10,910,907	B2	*	2/2021	Yamada	.....	H02K 5/165
10,918,542	B2	*	2/2021	Daniel	.....	A61G 5/1051
D911,927	S	*	3/2021	Kindler	.....	D13/103
10,933,937	B2	*	3/2021	Shang	.....	B62K 19/40
D915,247	S	*	4/2021	Haley	.....	D12/129

\* cited by examiner

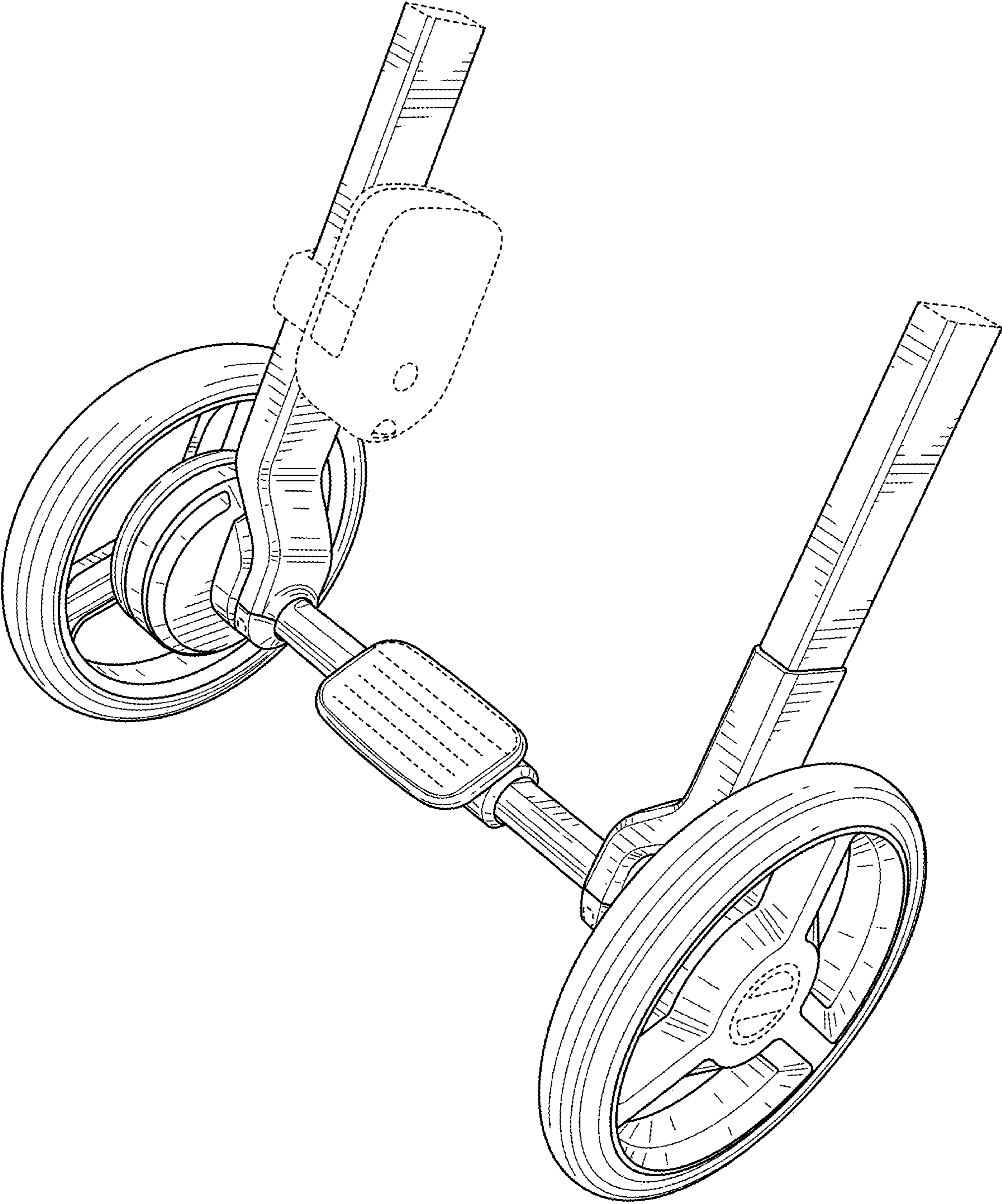


FIG. 1



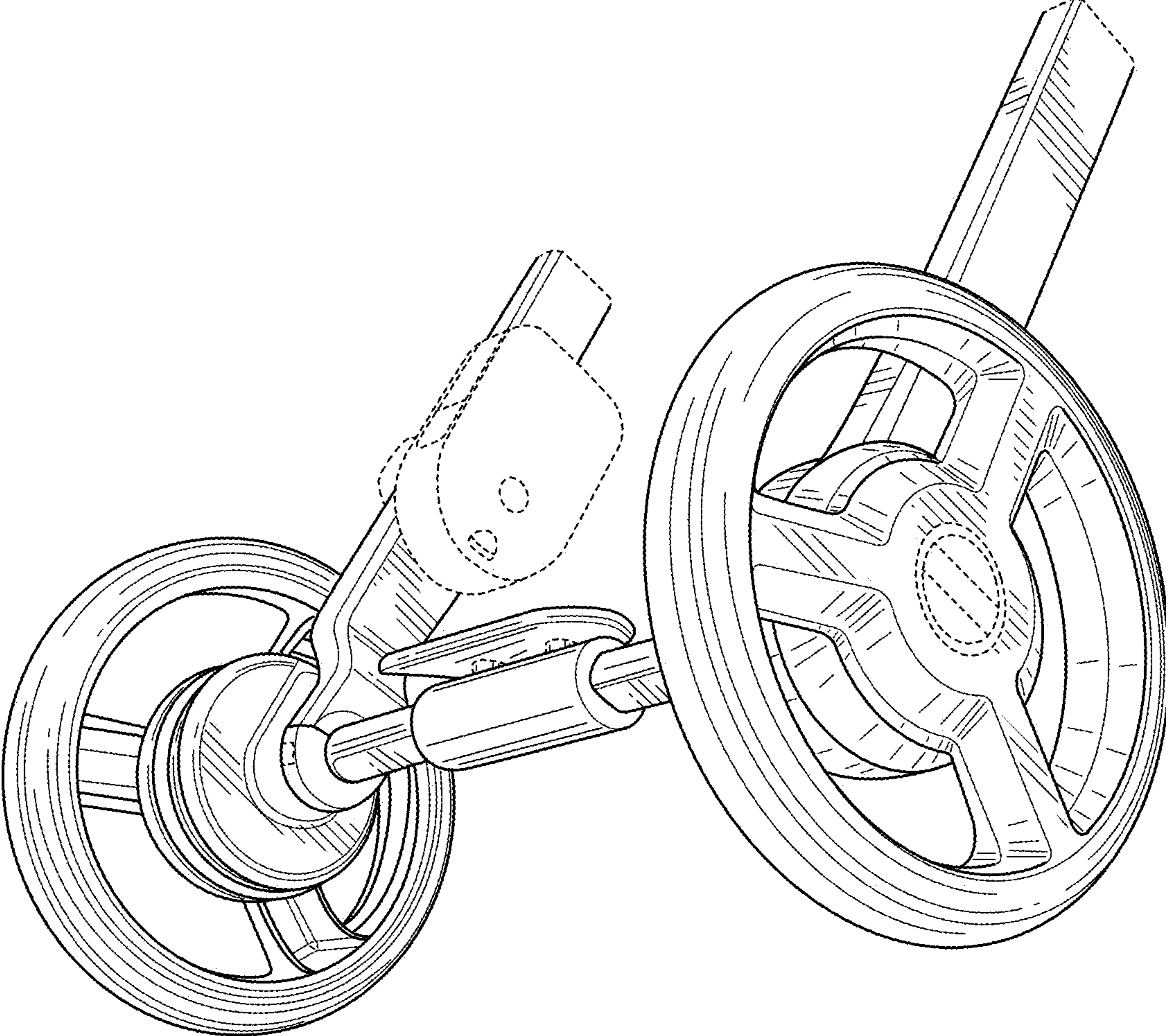


FIG. 2

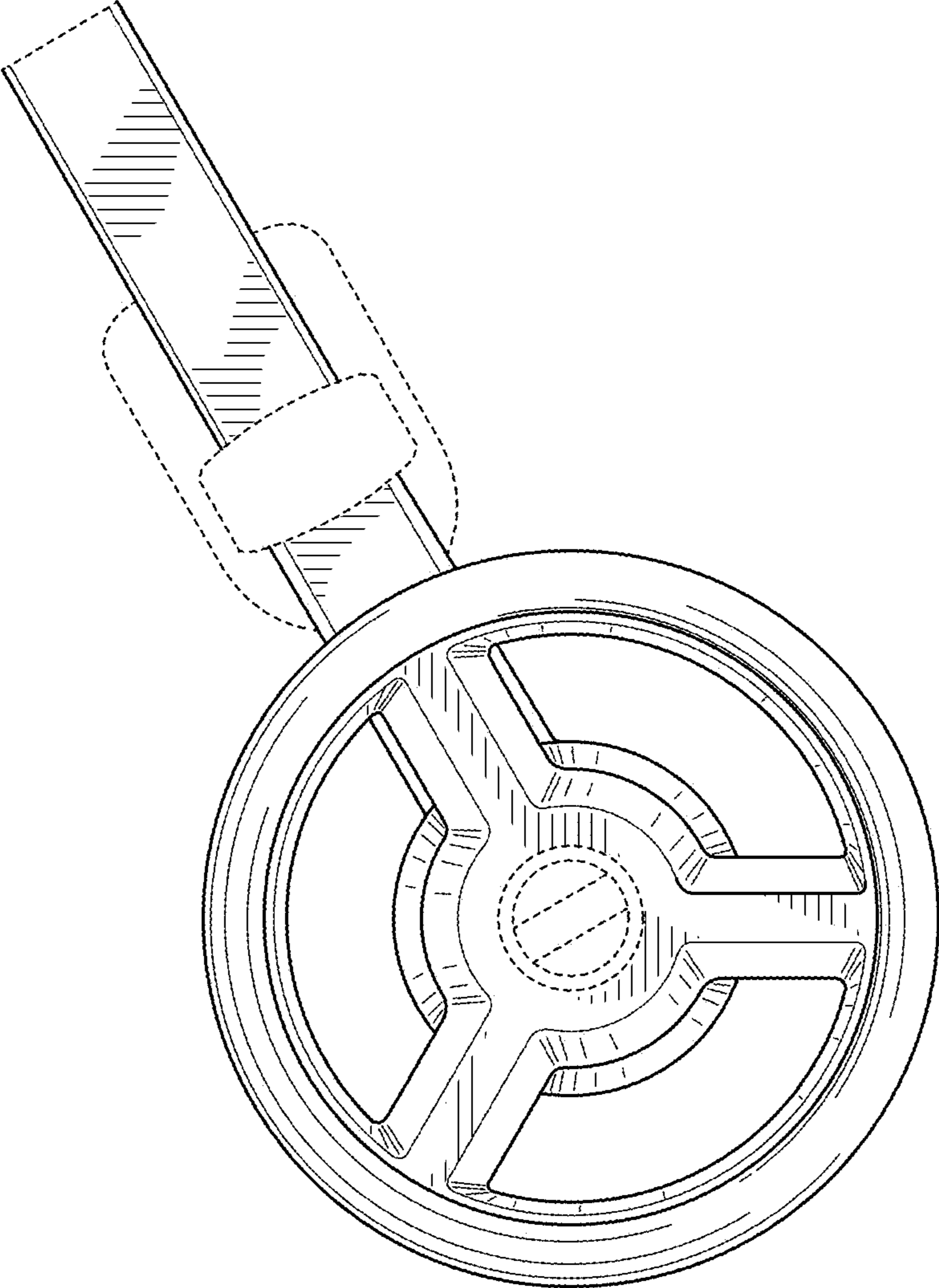


FIG. 3

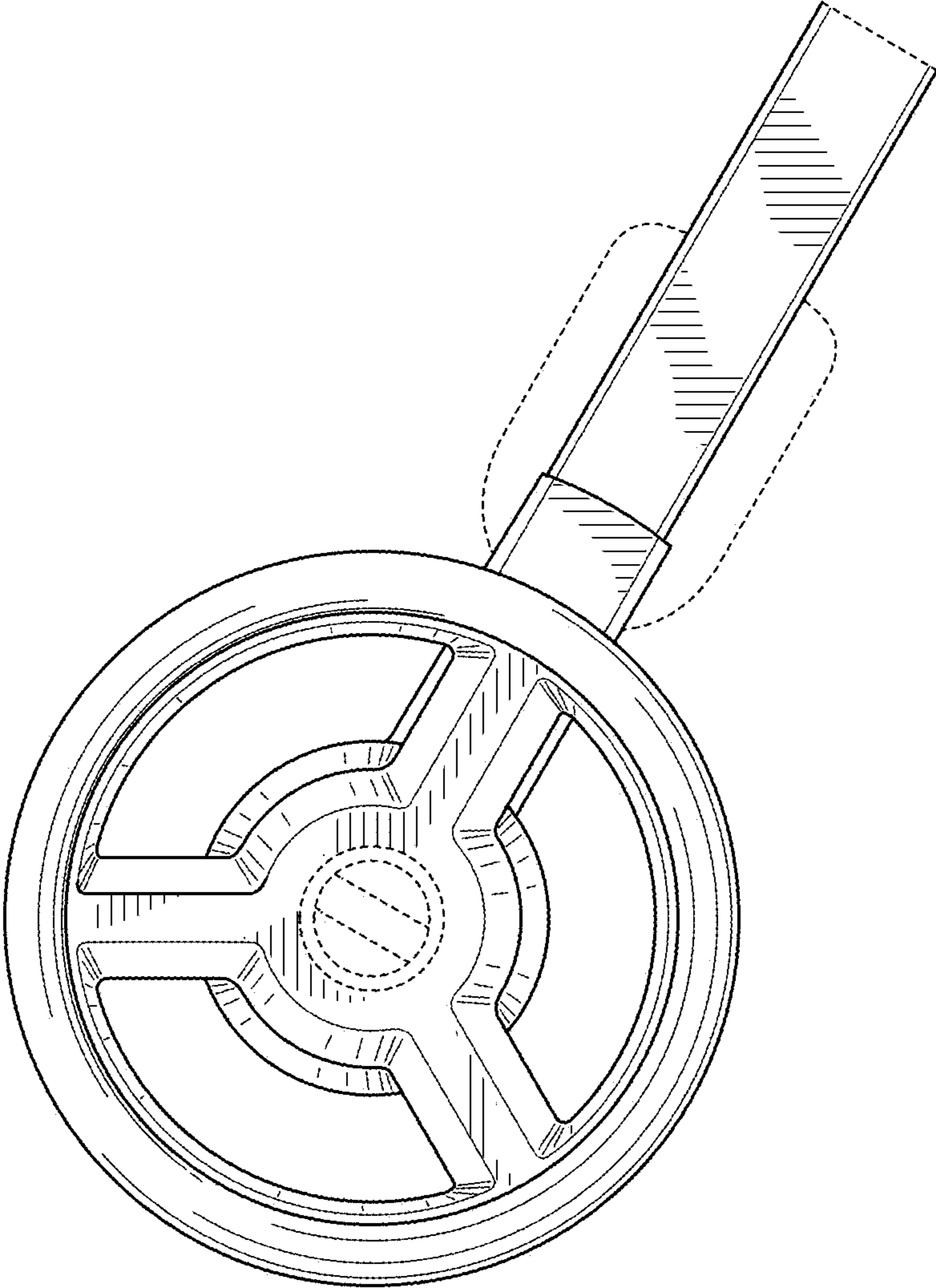


FIG. 4

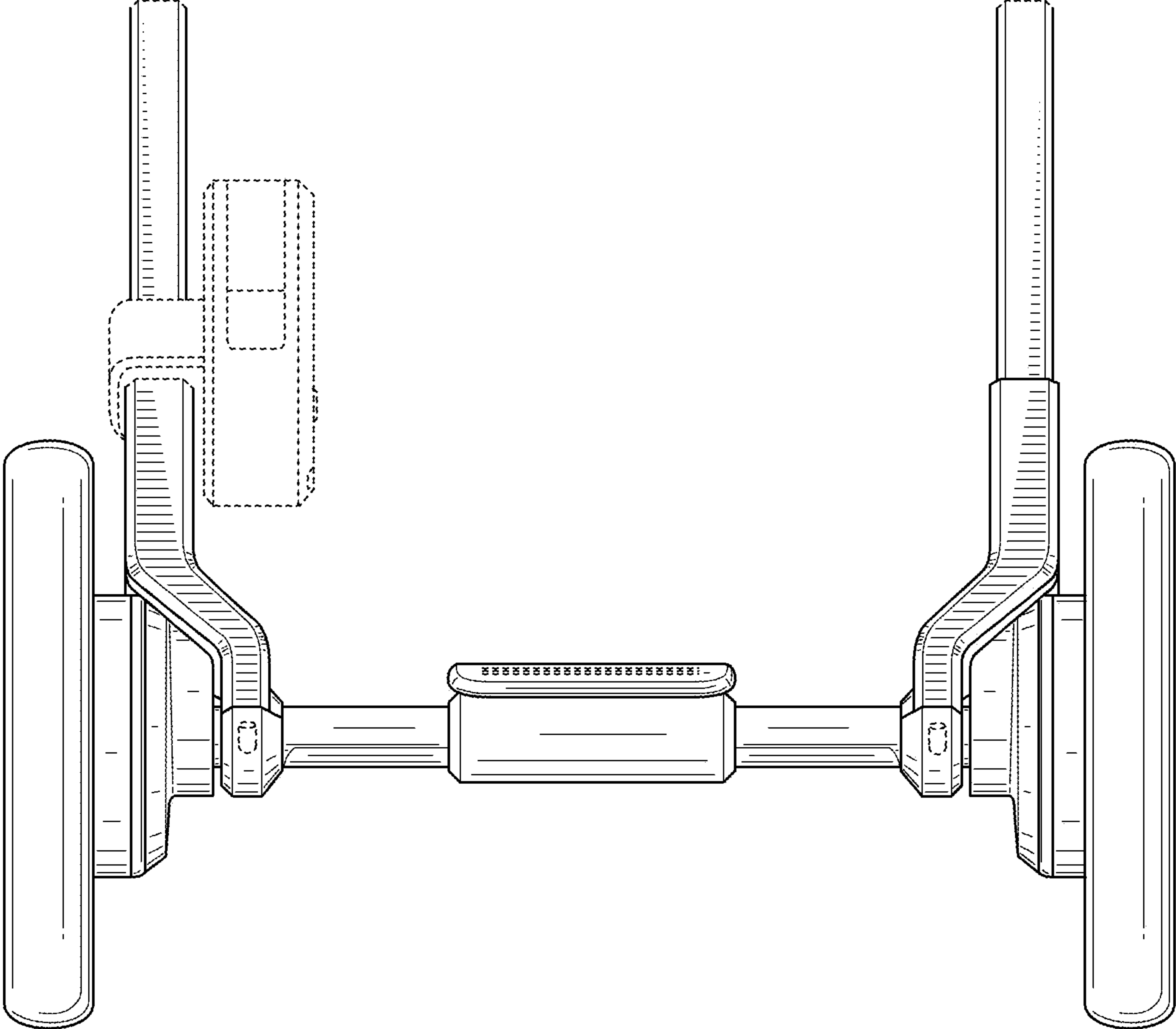


FIG. 5

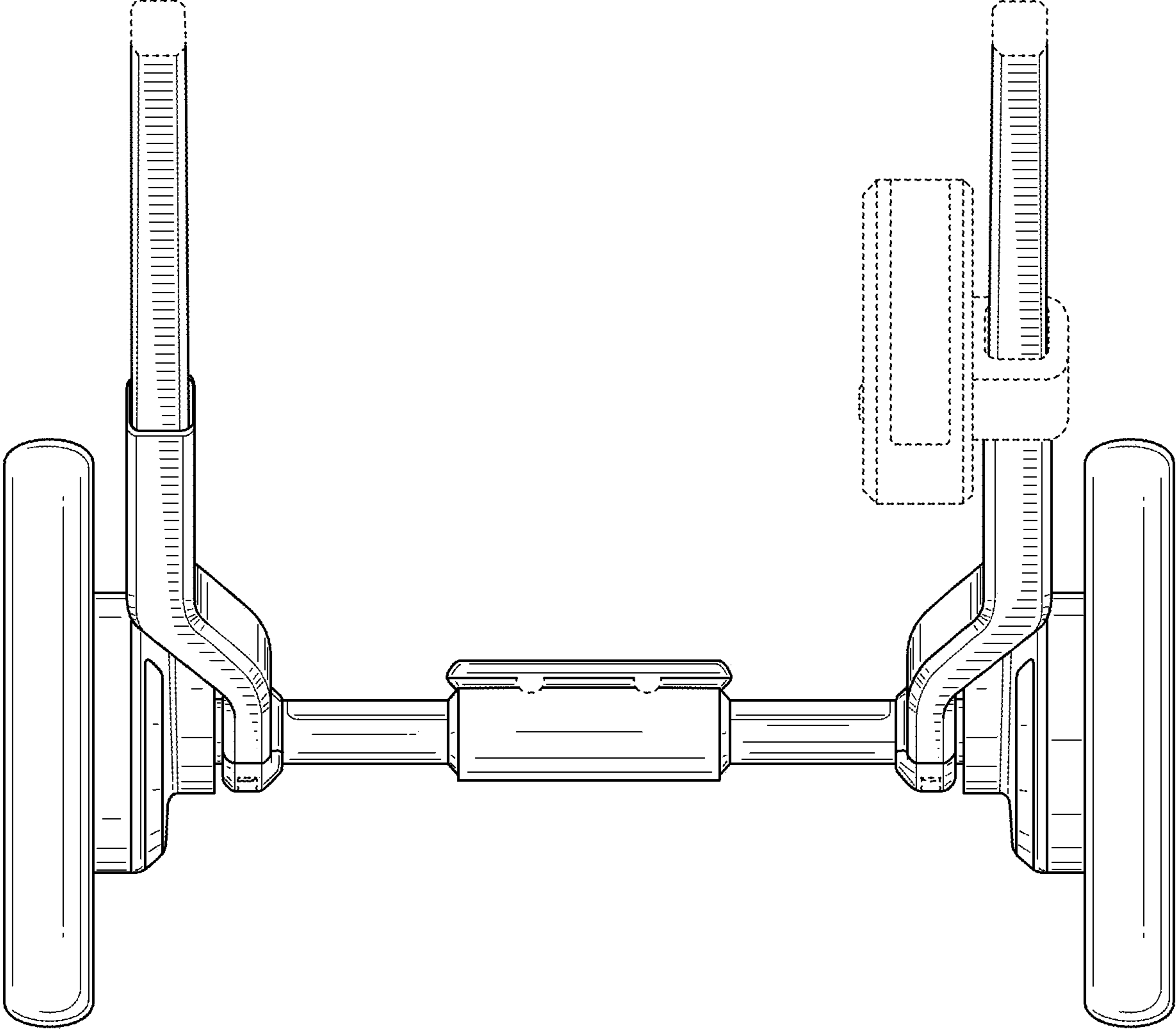


FIG. 6



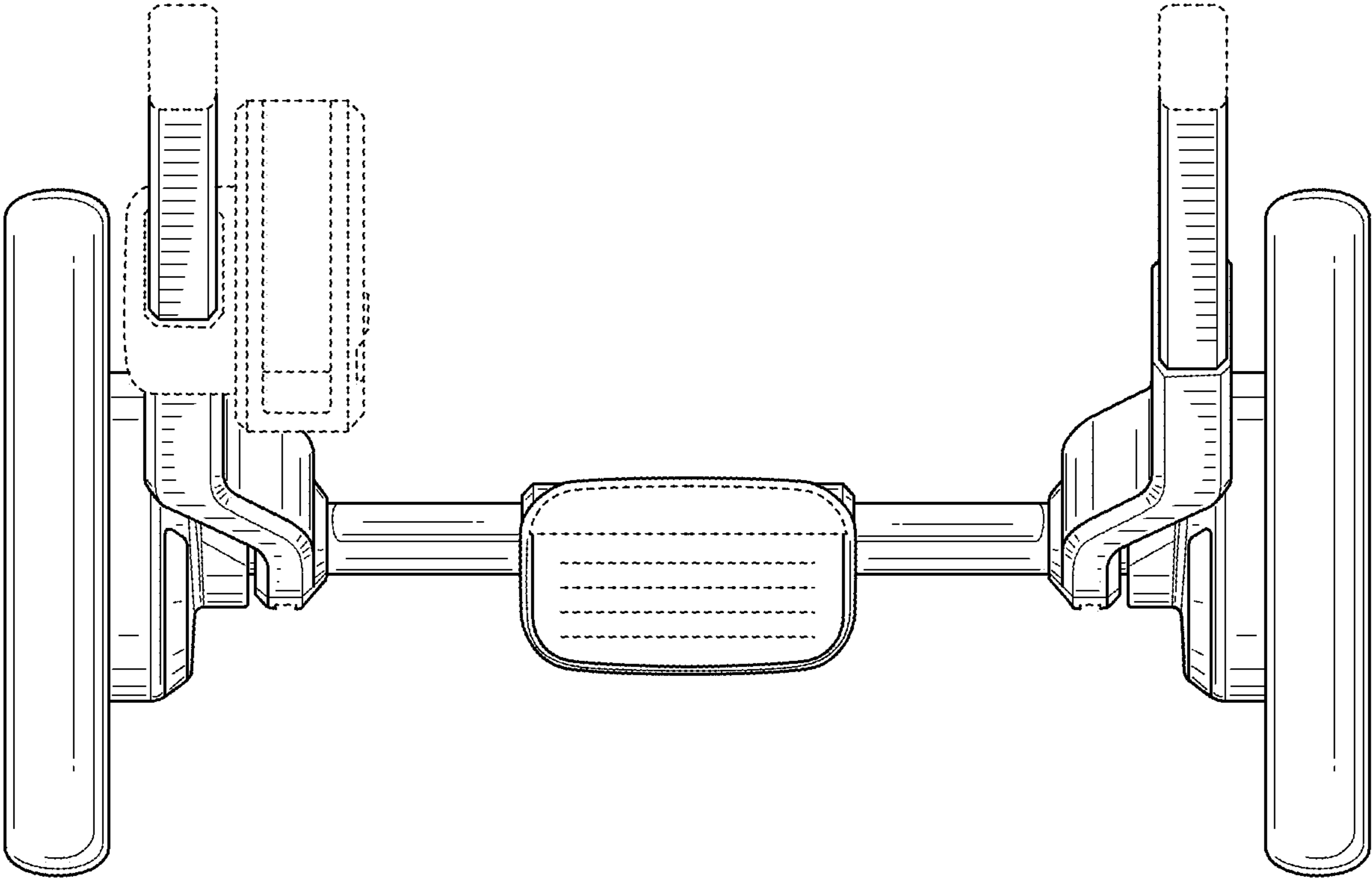


FIG. 7

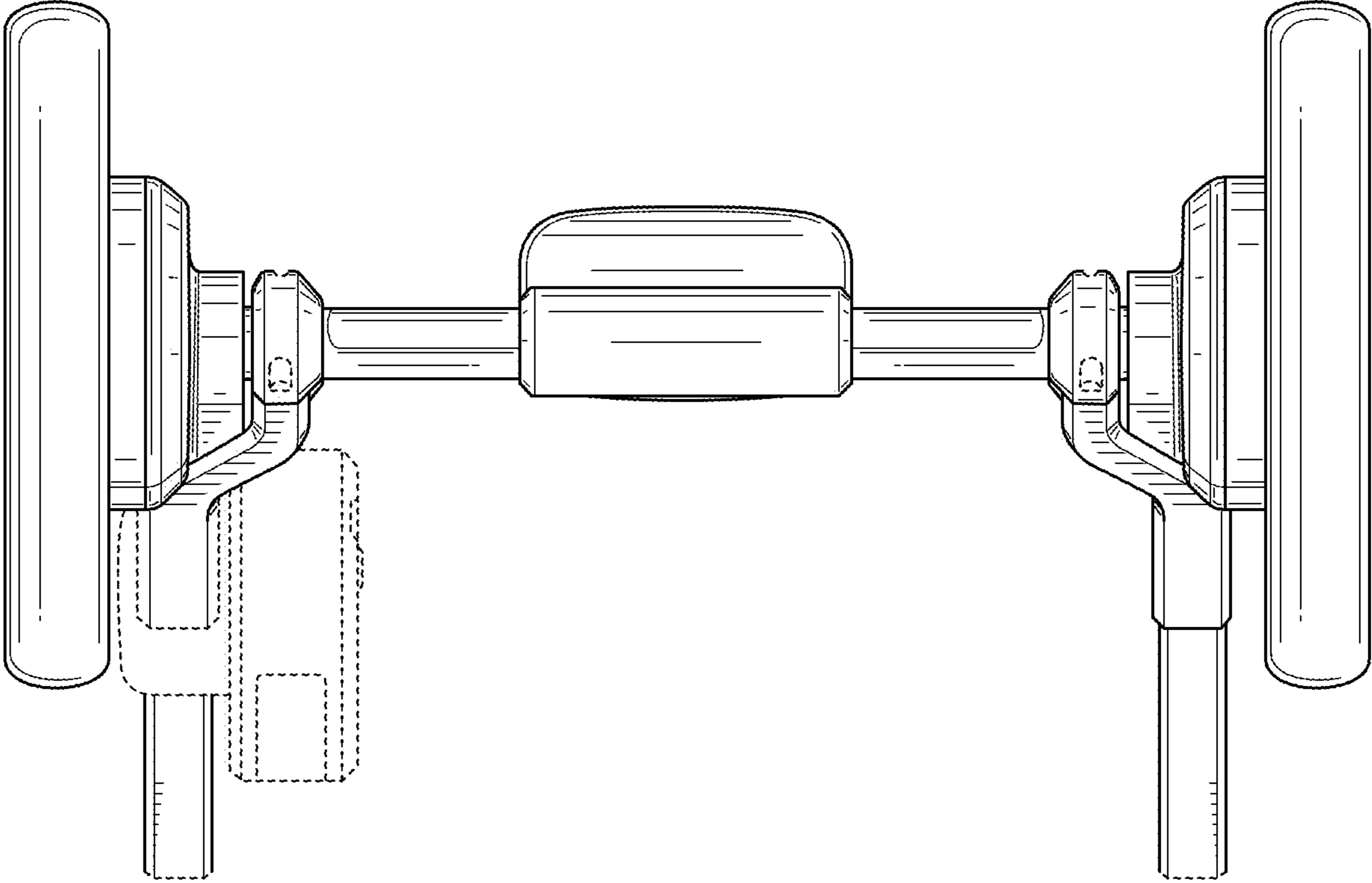


FIG. 8