



US00D931147S

(12) **United States Design Patent** (10) **Patent No.:** **US D931,147 S**  
**Zurwesten et al.** (45) **Date of Patent:** **\*\* Sep. 21, 2021**

- (54) **JOGGING STROLLER** 5,536,033 A \* 7/1996 Hinkston ..... B62B 7/08  
280/62
- (71) Applicant: **CYBEX GmbH**, Bayreuth (DE) D426,176 S \* 6/2000 Sutherland ..... D12/129  
D463,762 S \* 10/2002 Everett ..... D12/129
- (72) Inventors: **Johannes Zurwesten**, Bayreuth (DE);  
**Peter Koller**, Bayreuth (DE); **Hannah**  
**Buchwald**, Bayreuth (DE) D475,951 S \* 6/2003 Everett ..... D12/129  
D520,415 S \* 5/2006 Liu ..... D12/129  
7,396,039 B2 \* 7/2008 Valdez ..... B62B 7/062  
280/644
- (73) Assignee: **Cybex GmbH**, Bayreuth (DE) D622,640 S \* 8/2010 Gower ..... D12/129  
D724,501 S \* 3/2015 Reinius ..... D12/129  
D749,990 S \* 2/2016 Reinius ..... D12/129  
D756,852 S \* 5/2016 Barenbrug ..... D12/129  
D773,343 S \* 12/2016 Tsai ..... B62B 7/062  
D12/129
- (\*\*) Term: **15 Years** D773,344 S \* 12/2016 Tsai ..... D12/129  
D776,019 S \* 1/2017 Reinius ..... B62B 7/08  
D12/129
- (21) Appl. No.: **35/509,576** D852,683 S \* 7/2019 Holleis ..... B62B 7/10  
D12/129
- (22) Filed: **Dec. 9, 2019** D915,247 S \* 4/2021 Haley ..... D12/129
- (80) **Hague Agreement Data**

Int. Filing Date: **Dec. 9, 2019**  
 Int. Reg. No.: **DM/205602**  
 Int. Reg. Date: **Dec. 9, 2019**  
 Int. Reg. Pub. Date: **Jun. 12, 2020**

- (51) **LOC (13) Cl.** ..... **12-12**
- (52) **U.S. Cl.**  
USPC ..... **D12/129**
- (58) **Field of Classification Search**  
USPC ..... D12/128-133; D21/686-691  
CPC ..... B62B 7/00; B62B 7/004; B62B 7/044;  
B62B 7/06; B62B 7/08; B62B 7/083;  
B62B 7/086  
See application file for complete search history.

(56) **References Cited**  
 U.S. PATENT DOCUMENTS

- 5,188,389 A \* 2/1993 Baechler ..... B62B 7/10  
280/62
- D370,194 S \* 5/1996 Baechler ..... D12/129
- D371,094 S \* 6/1996 Hinkston ..... D12/129

\* cited by examiner

*Primary Examiner* — George D. Kirschbaum  
*Assistant Examiner* — Joseph J Kukella  
 (74) *Attorney, Agent, or Firm* — Boyle Fredrickson, S.C.

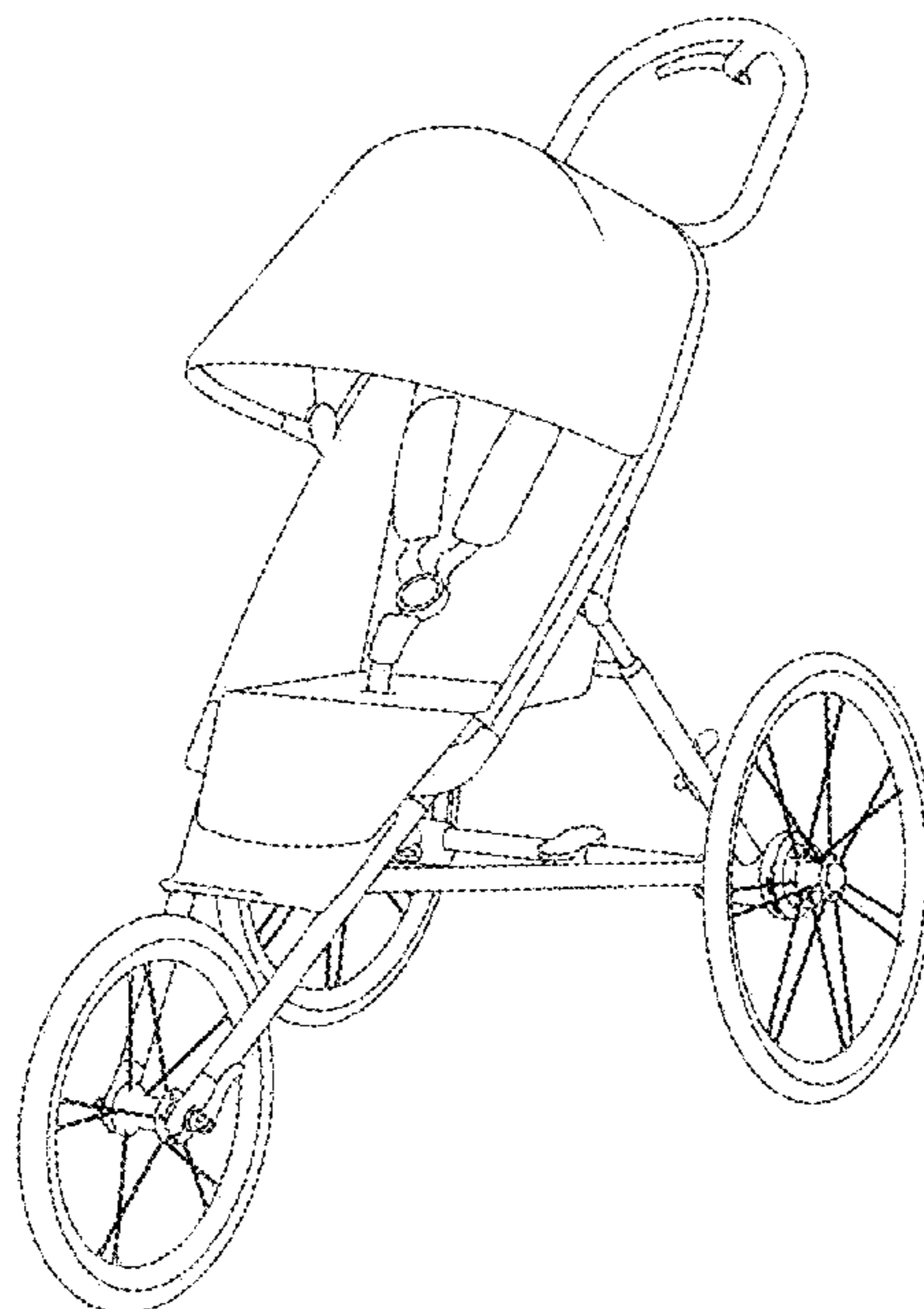
(57) **CLAIM**

The ornamental design for a jogging stroller, as shown and described.

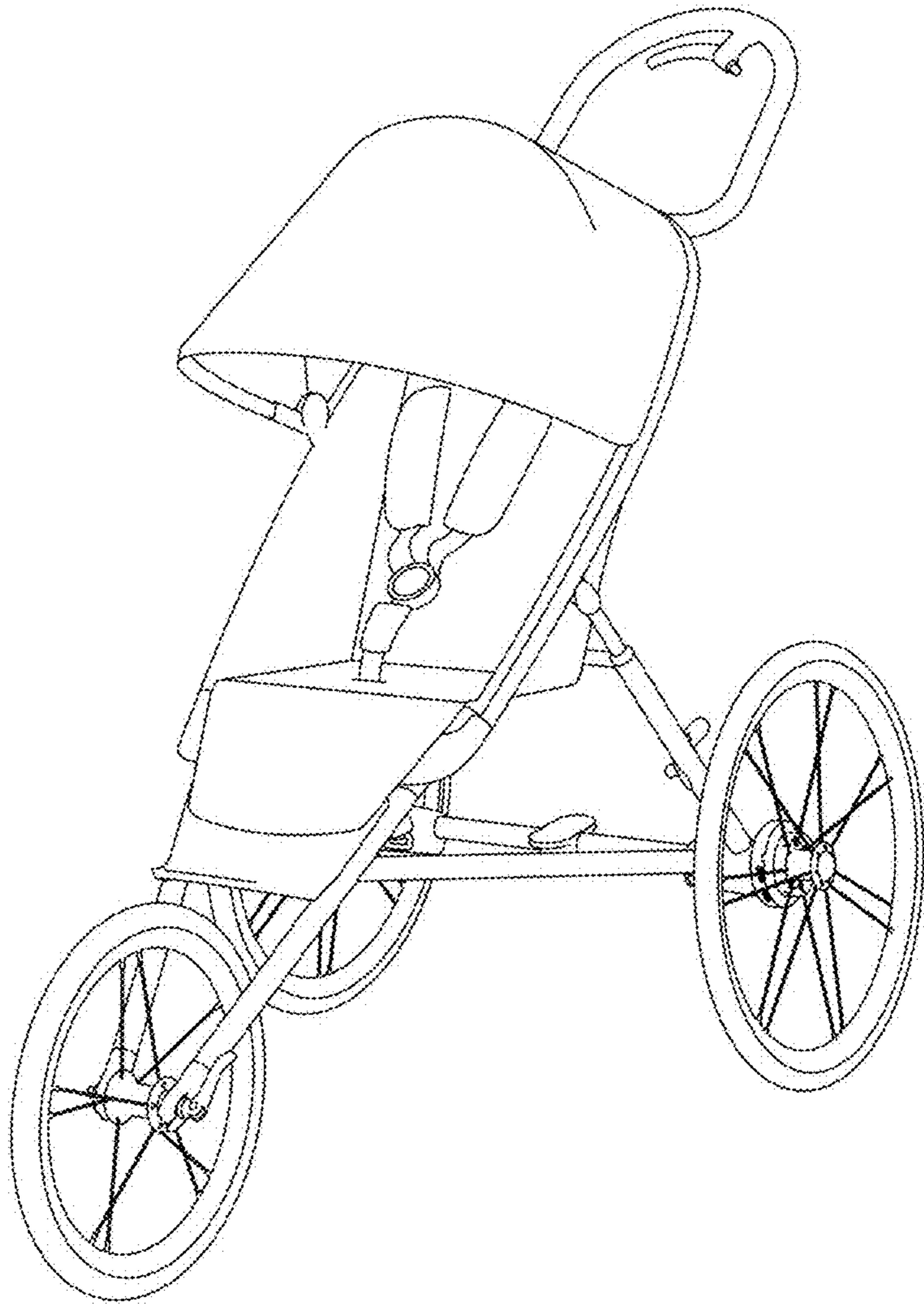
**DESCRIPTION**

- 1. Jogging stroller
- 1.1 : Perspective
- 1.2 : Front
- 1.3 : Back
- 1.4 : Right
- 1.5 : Left
- 1.6 : Top
- 1.7 : Bottom

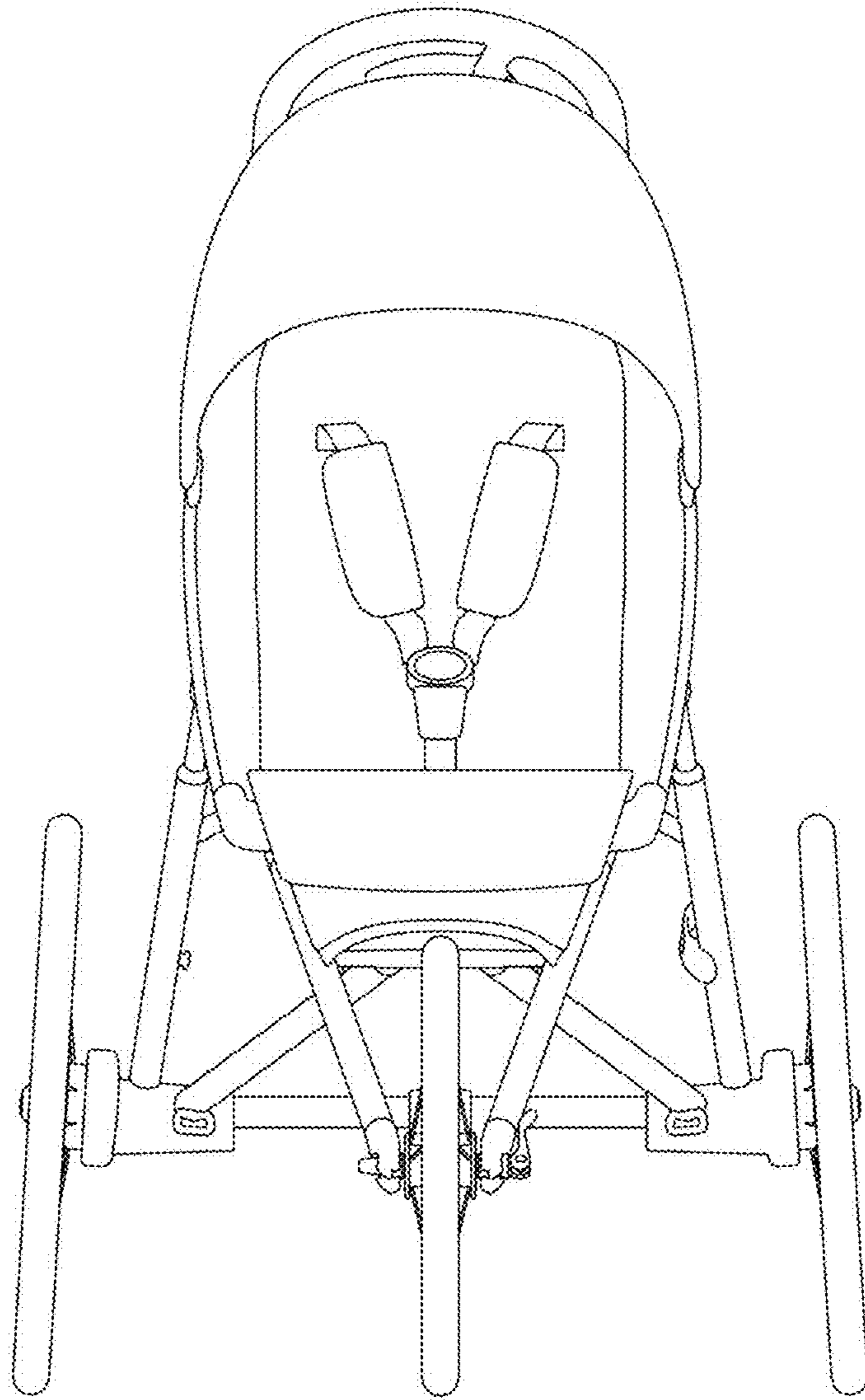
**1 Claim, 7 Drawing Sheets**



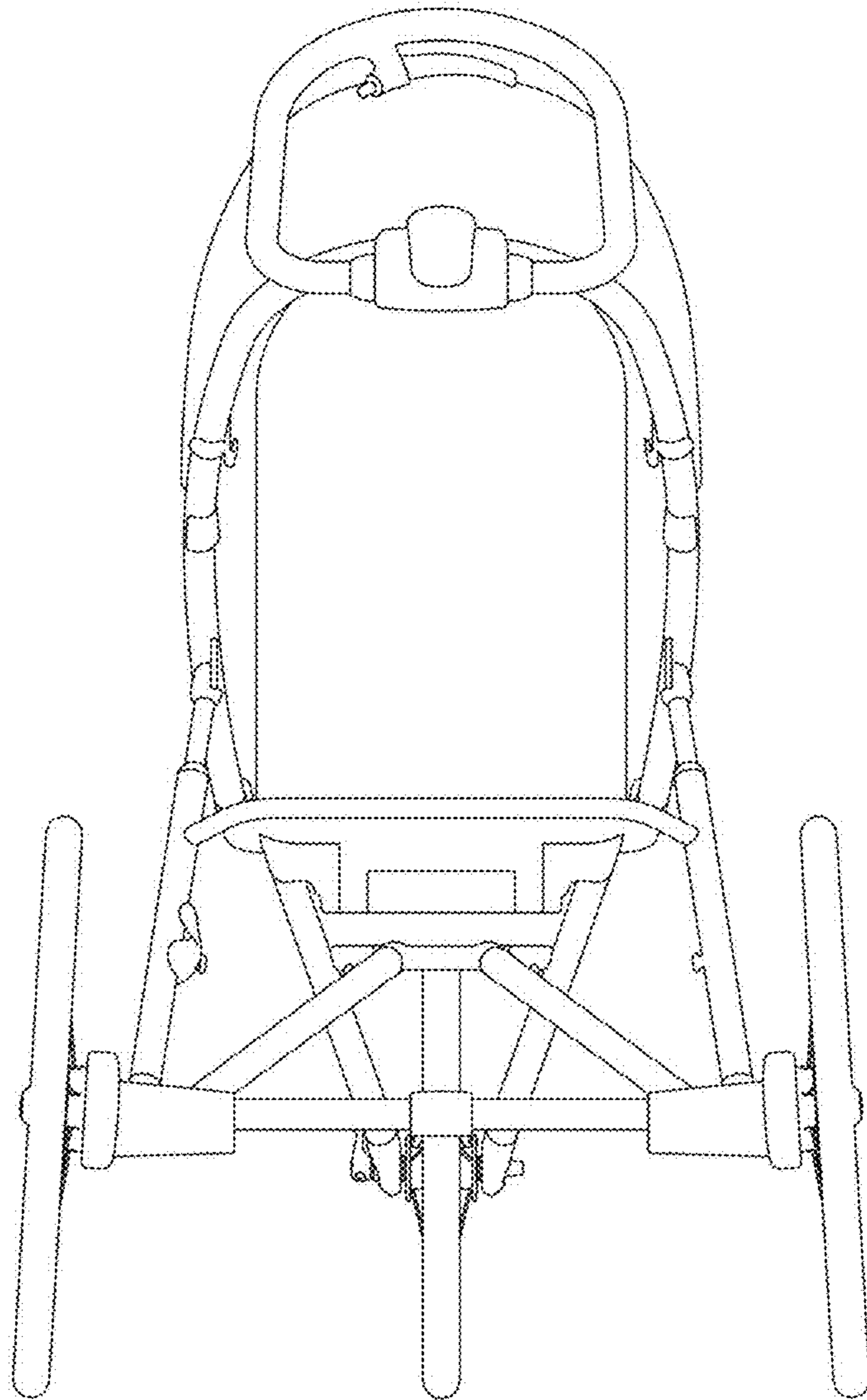
1.1



1.2

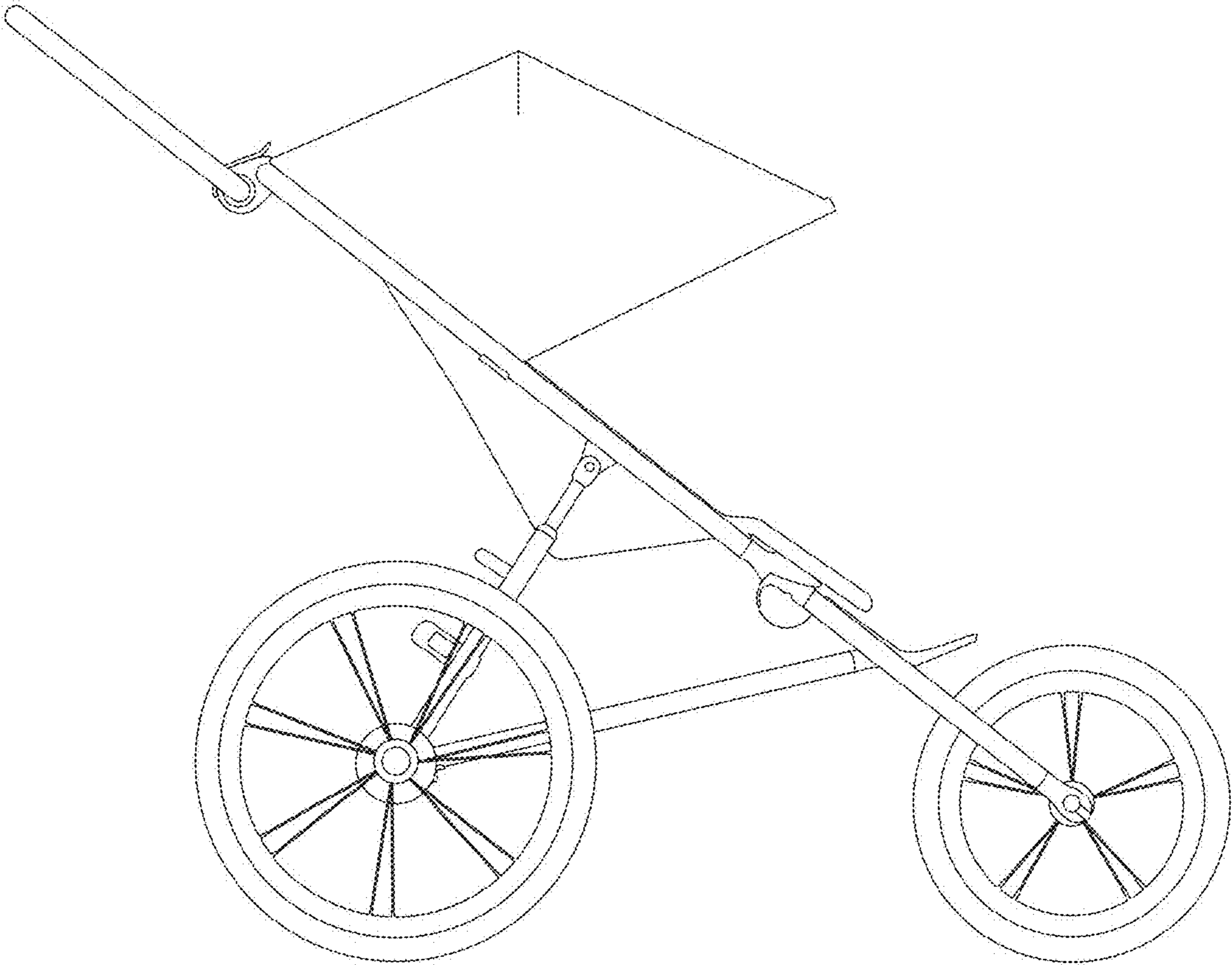


1.3

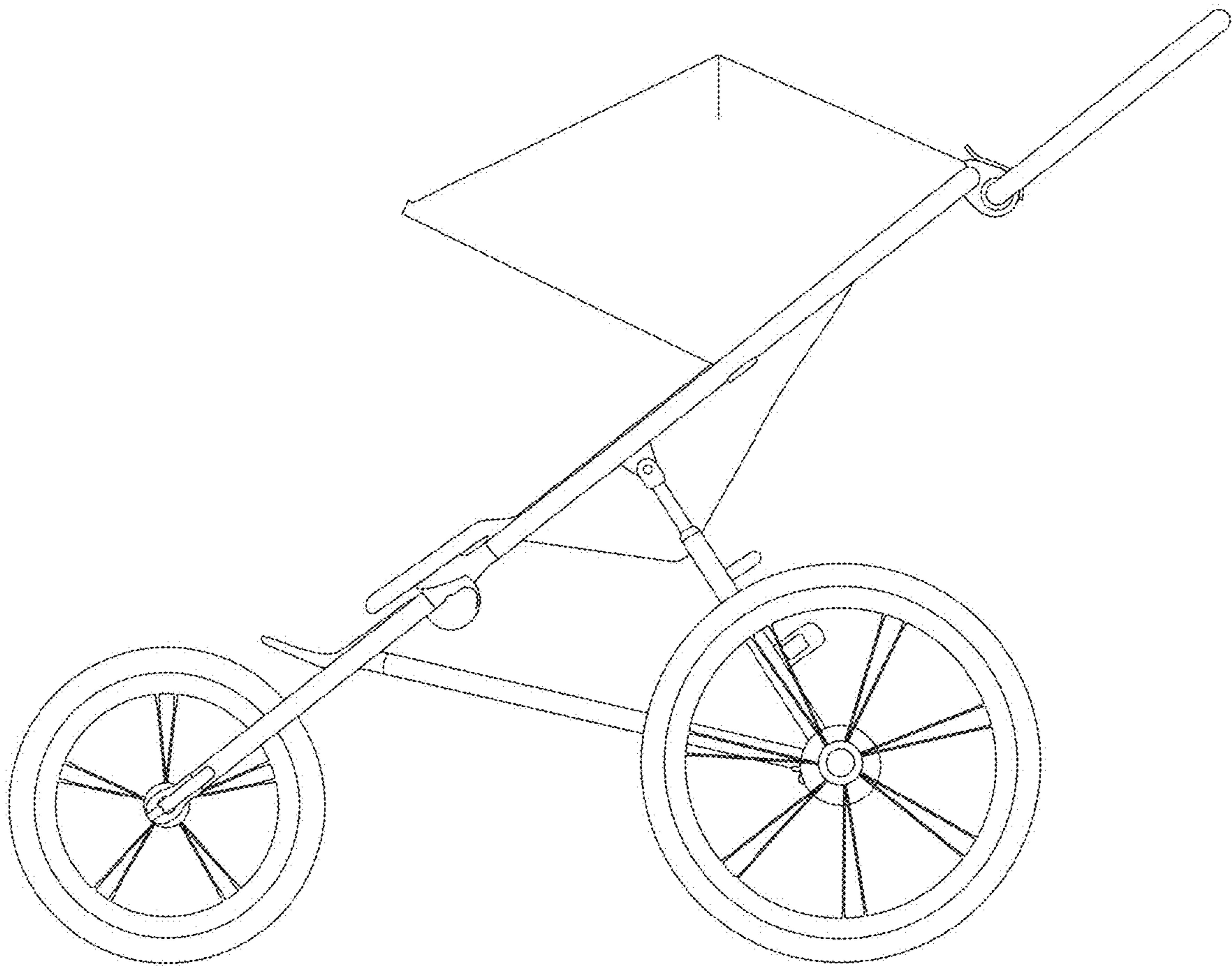




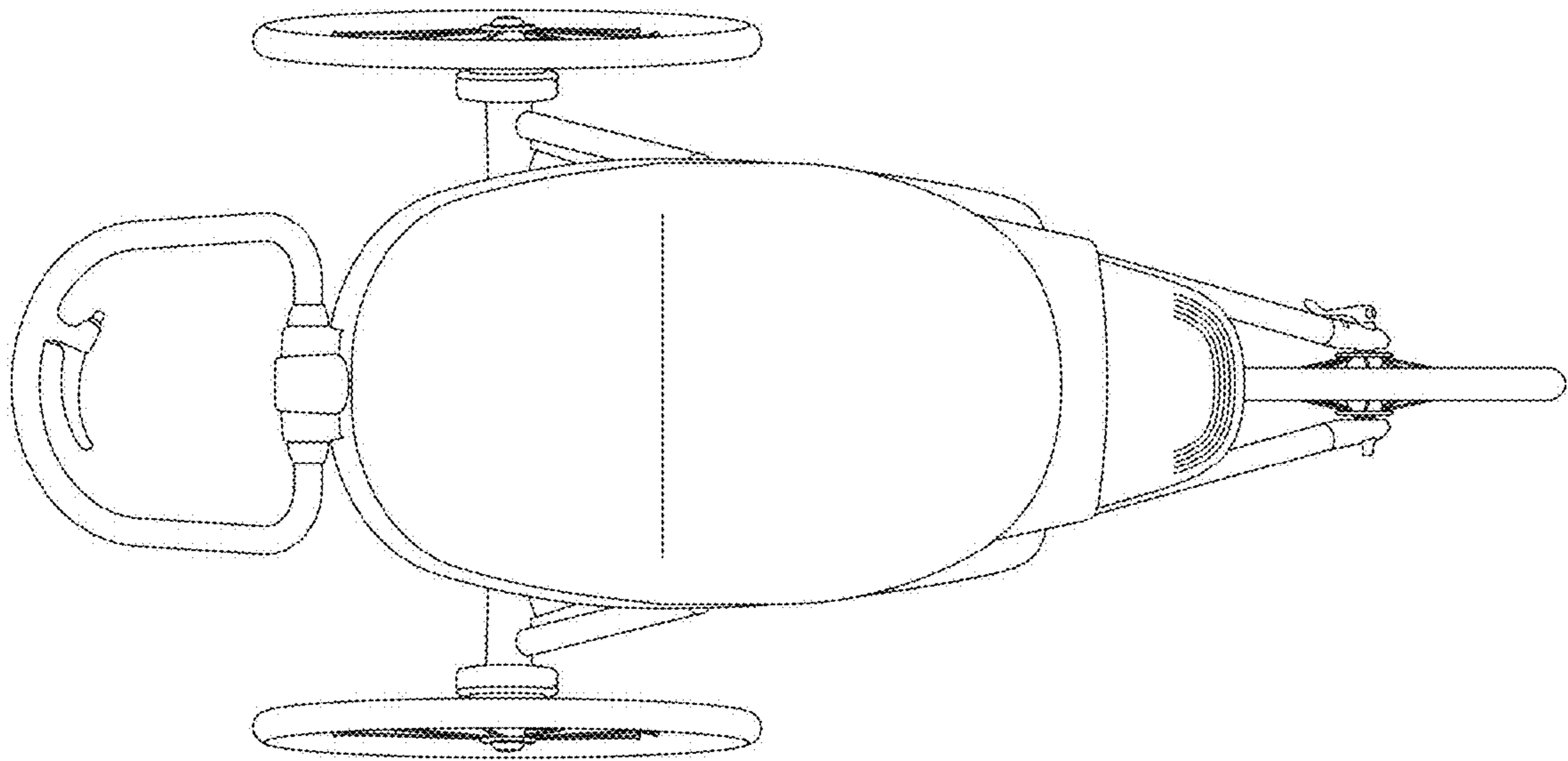
1.4



1.5



1.6



1.7

