



US00D931146S

(12) **United States Design Patent** (10) **Patent No.:** **US D931,146 S**
Huang et al. (45) **Date of Patent:** **** Sep. 21, 2021**

(54) **BICYCLE**

(71) Applicant: **BEIJING QISHENG SCIENCE AND TECHNOLOGY CO., LTD.**, Beijing (CN)

(72) Inventors: **Zhenan Huang**, Beijing (CN); **Jingnan Zheng**, Beijing (CN)

(73) Assignee: **BEIJING QISHENG SCIENCE AND TECHNOLOGY CO., LTD.**, Beijing (CN)

(**) Term: **15 Years**

(21) Appl. No.: **29/672,221**

(22) Filed: **Dec. 4, 2018**

(30) **Foreign Application Priority Data**

Jun. 4, 2018 (CN) 201830275773.X

(51) **LOC (13) Cl.** **12-11**

(52) **U.S. Cl.**
USPC **D12/111**

(58) **Field of Classification Search**
USPC D12/111, 107, 114, 117, 118, 119;
D21/419, 424, 697, 662, 663, 664
CPC . B62K 3/00; B62K 3/005; B62K 3/02; B62K 3/04; B62K 11/00; B62K 11/02; B62K 11/10; B62K 11/14; B62K 21/12; B62K 21/16; B62K 21/26; B62K 21/02; B62K 21/04; B62K 21/06; B62K 15/006; B62K 19/02; B62K 19/04; B62K 19/42; B62K 19/08; B62K 25/04; B62K 25/08; B62K 25/16; B62K 25/30

See application file for complete search history.

(56) **References Cited**

U.S. PATENT DOCUMENTS

D218,659 S * 9/1970 Takashima D12/111
D614,084 S * 4/2010 Tanaka D12/111

D727,214 S * 4/2015 Yang D12/111
D730,779 S 6/2015 Arbour
D730,780 S * 6/2015 Arbour D12/111
D797,003 S * 9/2017 Qiu D12/111
2012/0239248 A1* 9/2012 Bobbitt G08G 1/127
701/36
2013/0255336 A1* 10/2013 Desai B62H 5/003
70/431

FOREIGN PATENT DOCUMENTS

CN 304340282 S 11/2017
CN 304529373 S 3/2018
CN 201830088383 * 3/2018
CN 201830154053 * 4/2018
JP 1575170 S 5/2017

OTHER PUBLICATIONS

Amazon, Nakto Cargo Electric Bicycle, posted Nov. 18, 2016, [online]. [visited Sep. 12, 2020], Internet, <URL: <https://www.amazon.com/NAKTO-Electric-Brushless-Removable-Waterproof/dp/B01N1GN306>> (Year: 2016).*

* cited by examiner

Primary Examiner — Sheryl Lane

Assistant Examiner — Samantha N Wood

(74) *Attorney, Agent, or Firm* — Metis IP LLC

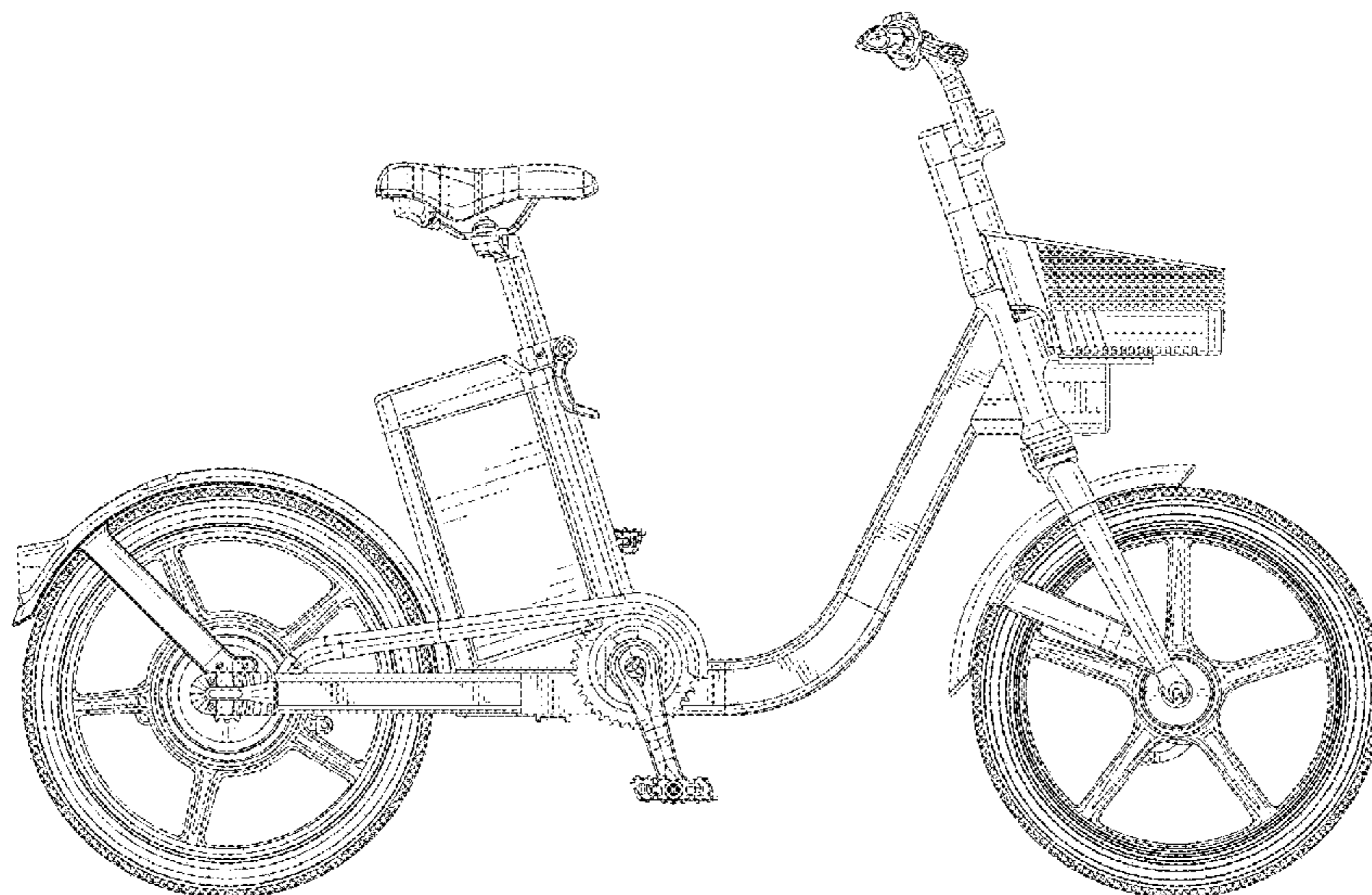
(57) **CLAIM**

The ornamental design for a bicycle, as shown and described.

DESCRIPTION

FIG. 1 is a front view of a bicycle showing our new design; FIG. 2 is a rear view thereof; FIG. 3 is a left view thereof; FIG. 4 is a right view thereof; FIG. 5 is a top view thereof; and, FIG. 6 is a bottom view thereof.

1 Claim, 6 Drawing Sheets



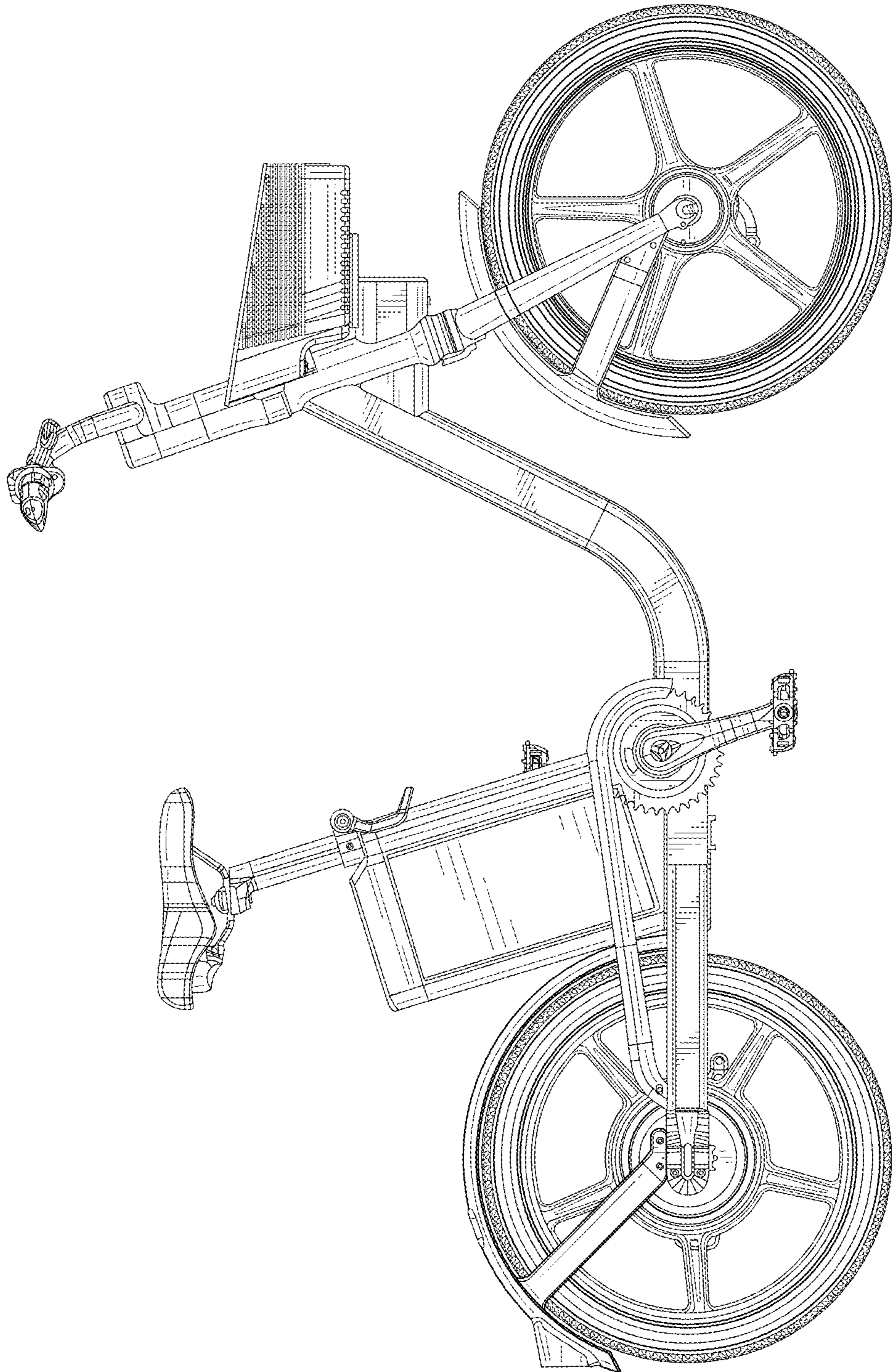


FIG. 1

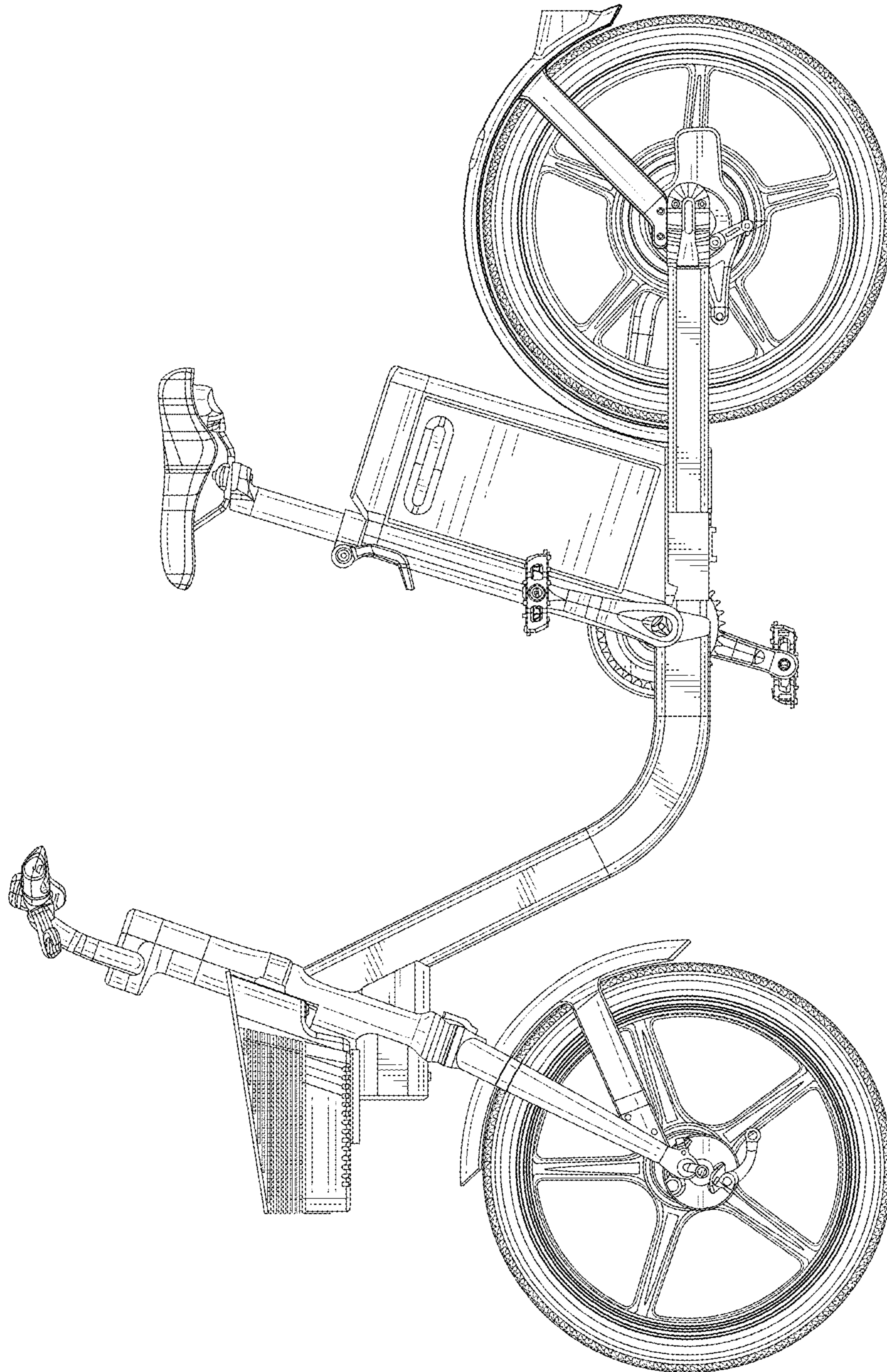


FIG. 2

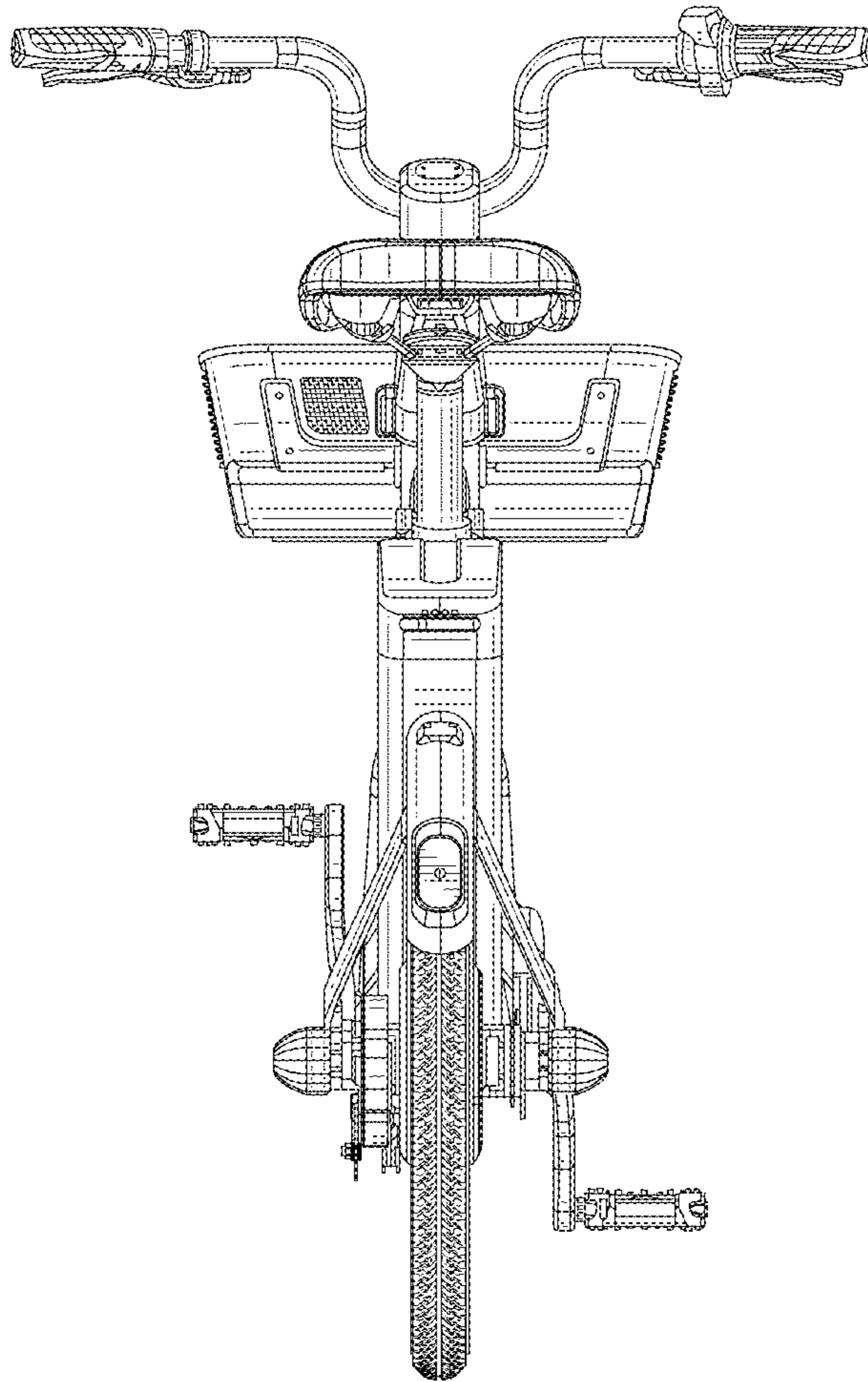


FIG. 3

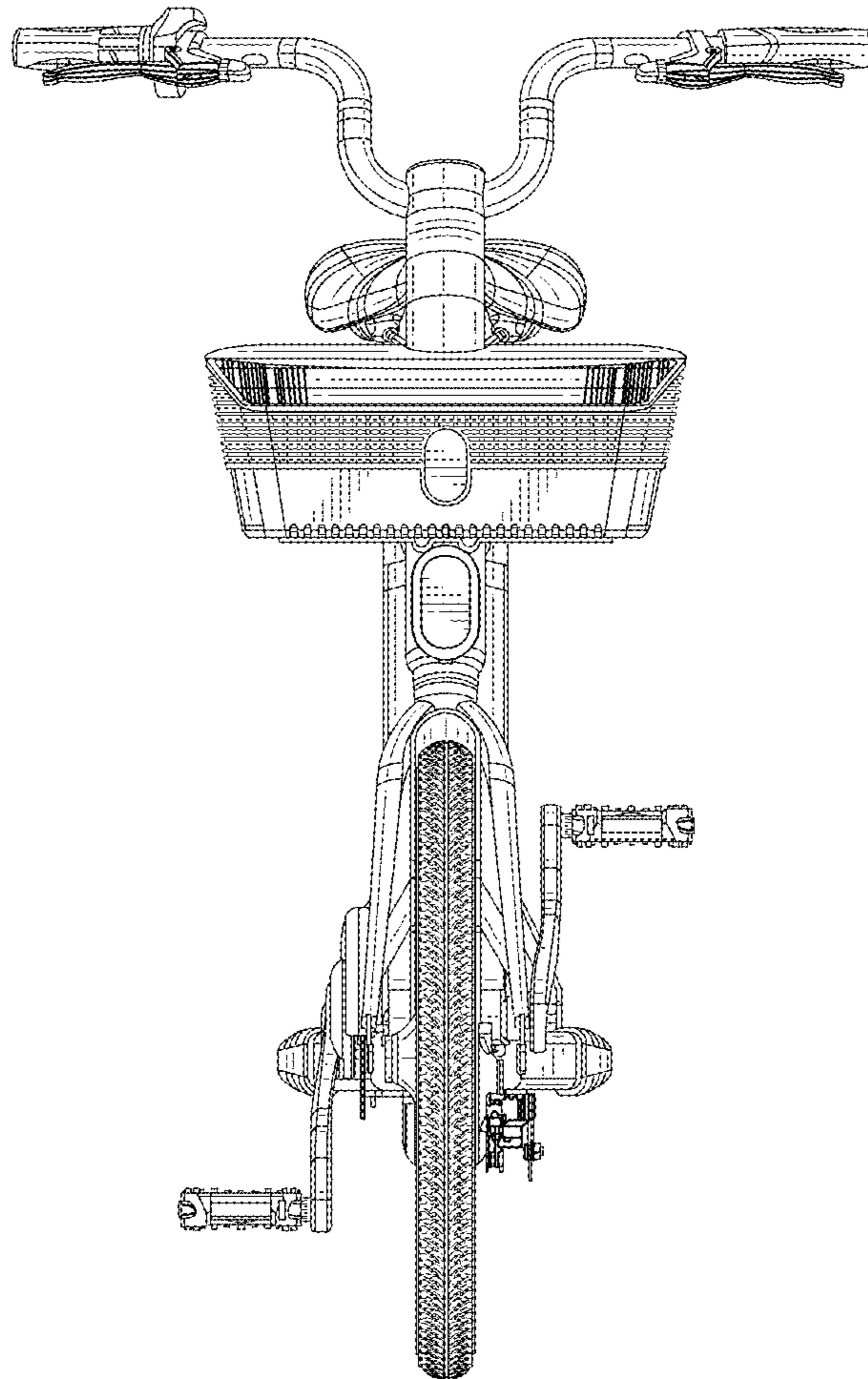


FIG. 4

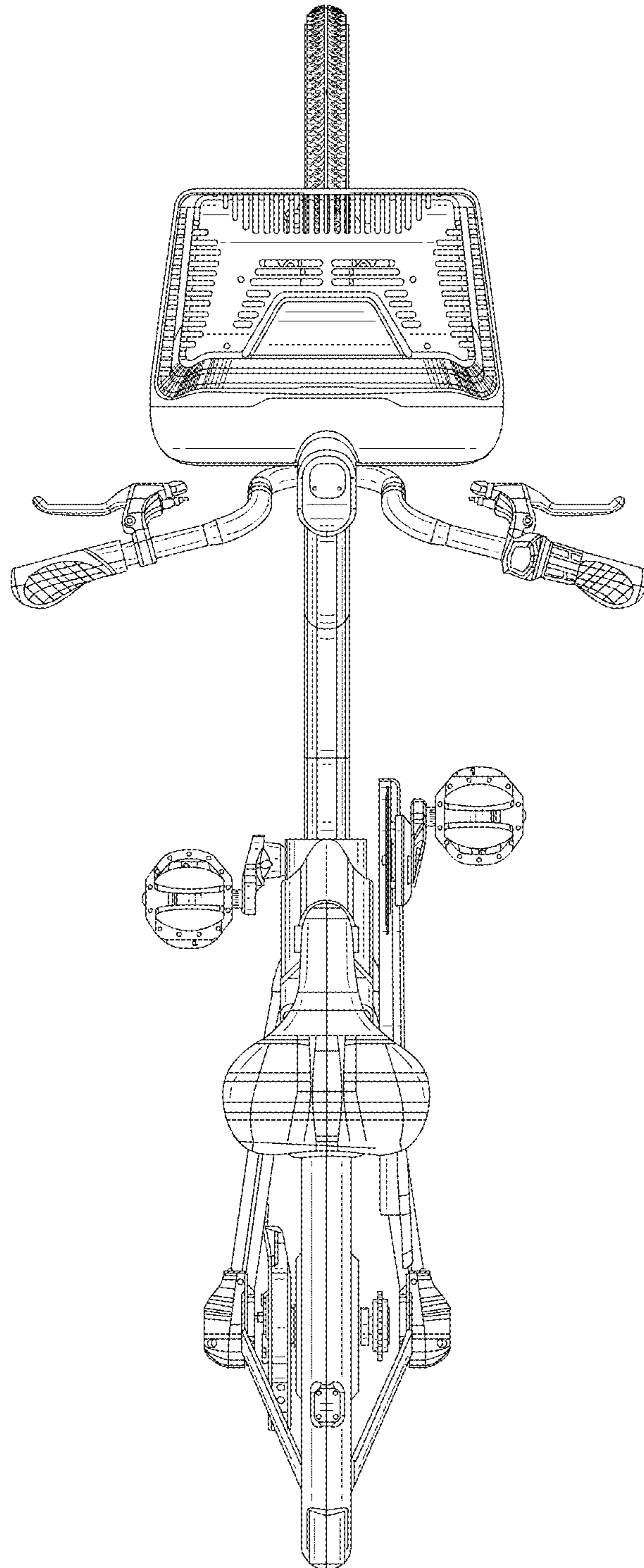


FIG. 5

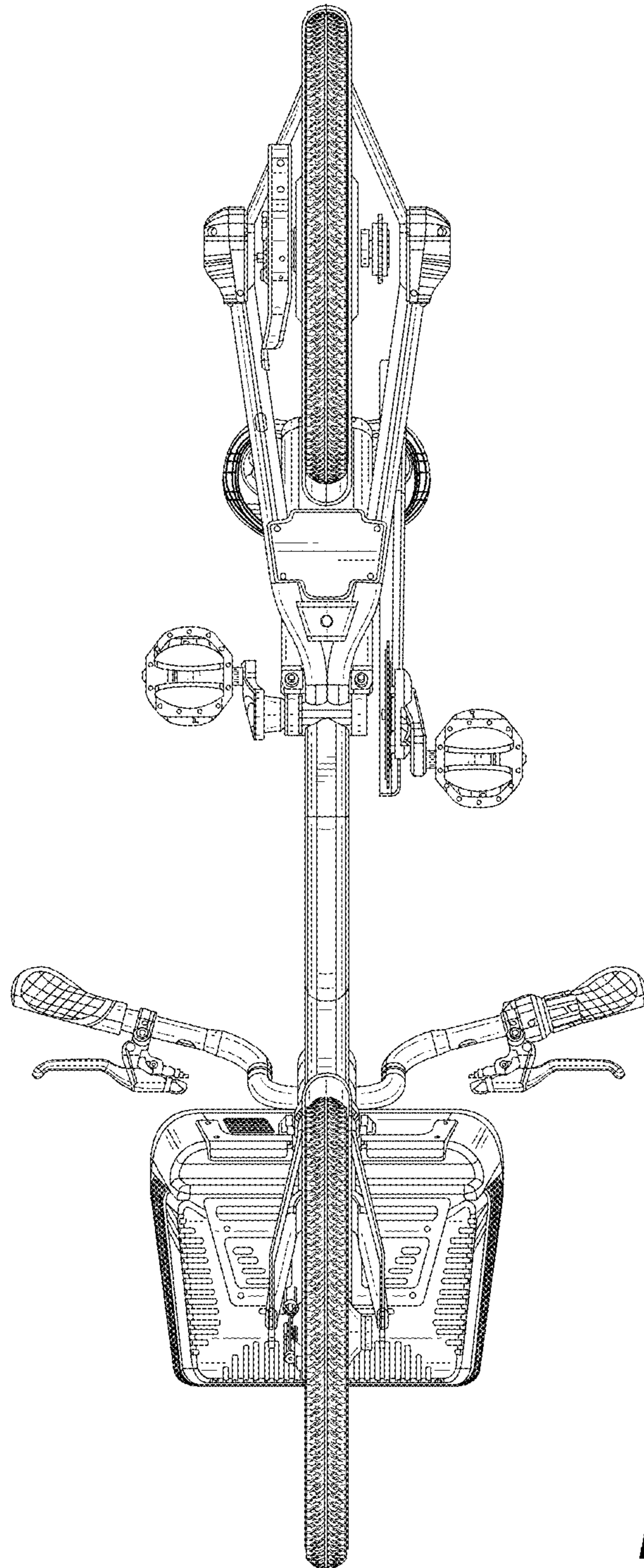


FIG. 6