



US00D931143S

(12) **United States Design Patent** (10) **Patent No.:** **US D931,143 S**
Zeng (45) **Date of Patent:** **** Sep. 21, 2021**

(54) **AUTOMOBILE EXTERIOR**
(71) Applicant: **VOLVO CAR CORPORATION,**
Gothenburg (SE)
(72) Inventor: **Ding Zeng,** Camarillo, CA (US)
(73) Assignee: **VOLVO CAR CORPORATION,**
Gothenburg (SE)
(**) Term: **15 Years**

3,850,472 A * 11/1974 Greppi B62D 31/00
296/26.11
D236,607 S * 9/1975 Delaplaine D12/107
D242,700 S * 12/1976 Viniegra D12/91
D242,701 S * 12/1976 Viniegra D12/91
D246,299 S * 11/1977 Haggard D12/90
4,058,182 A * 11/1977 Huber B60L 50/66
180/274
D246,849 S * 1/1978 Hart D12/90
D251,587 S * 4/1979 Marson D12/90
4,313,517 A * 2/1982 Pivar B60J 5/0487
180/216
D268,829 S * 5/1983 Dassel D12/91

(21) Appl. No.: **29/738,277**

(22) Filed: **Jun. 16, 2020**

(30) **Foreign Application Priority Data**

Jun. 12, 2020 (EM) 007994140-0001

(51) **LOC (13) Cl.** **12-08**

(52) **U.S. Cl.**
USPC **D12/86**

(58) **Field of Classification Search**

USPC ... D12/1, 14, 82, 83, 84, 85, 86, 87, 88, 89,
D12/90, 91, 92, 93, 96, 97, 98, 99, 106,
D12/163, 164, 165, 166, 167, 169, 170,
D12/171, 172, 181, 190, 196, 216, 400,
D12/401, 402, 403, 404, 405, 406, 412,
D12/414, 418; D21/533, 548, 552, 561
CPC B62D 31/00; B62D 31/003; B62D 25/00;
B62D 25/06; B62D 25/08; B62D 35/00;
B62D 33/00; B60J 7/0084; B60J 7/022;
B60J 7/02; B60J 7/04; B60J 7/047; B60J
7/061; B60J 7/062; B60J 7/067; B60J
7/08; B60J 7/10; B60J 7/11; B60J 7/12;
B60J 7/16; B60J 7/106; B60J 7/1642;
B60J 11/04; B60J 11/06; B60P 7/00;
B60P 7/06

See application file for complete search history.

(56) **References Cited**

U.S. PATENT DOCUMENTS

D99,831 S * 5/1936 Sharp D12/91
D200,703 S * 3/1965 Thomas D12/85

FOREIGN PATENT DOCUMENTS

DE 20304979 U1 * 8/2004 B62D 29/043
DE 202018005916 U1 * 3/2019 B62J 17/083

(Continued)

Primary Examiner — Christian P. McLean

Assistant Examiner — Adam C Mager

(74) *Attorney, Agent, or Firm* — Berenato & White, LLC

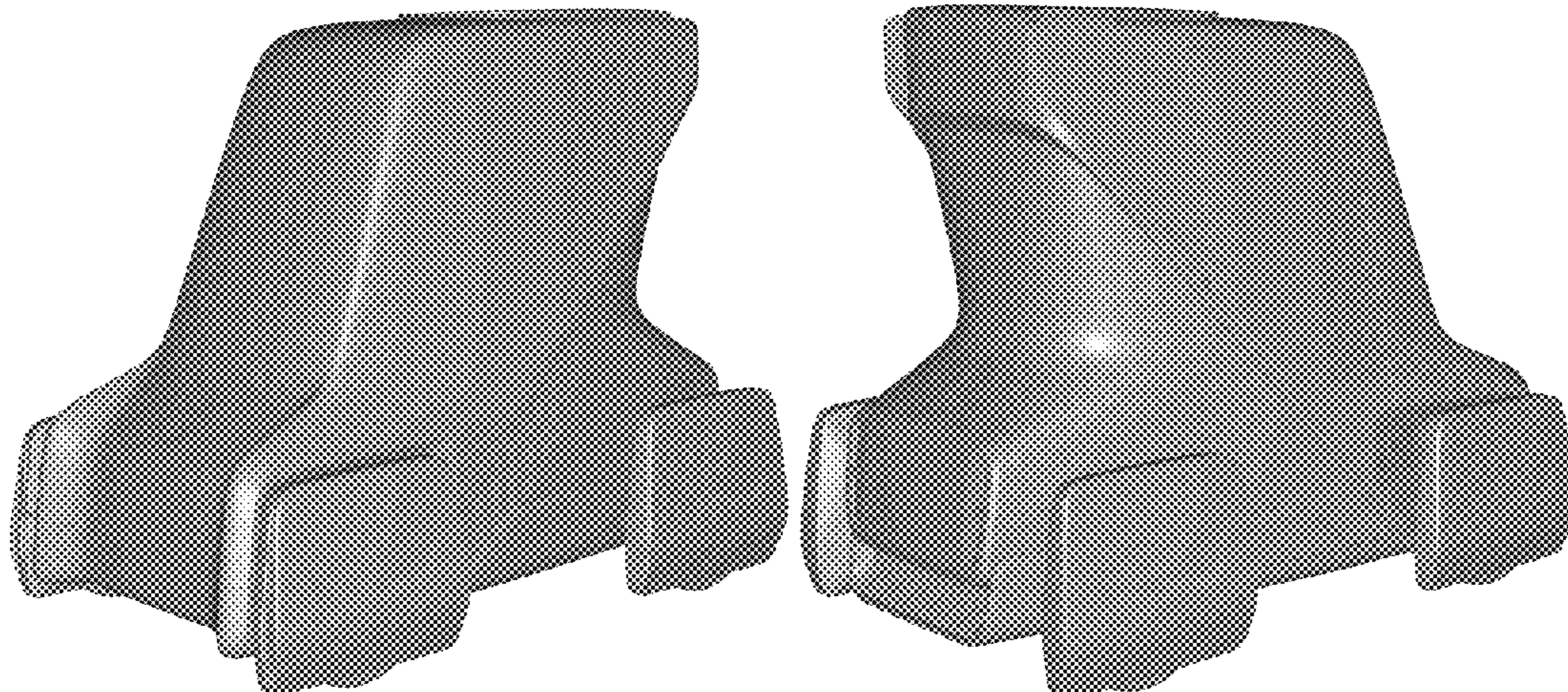
(57) **CLAIM**

The ornamental design for an automobile exterior, as shown and described.

DESCRIPTION

FIG. 1 is a front view of an automobile exterior showing our new design;
FIG. 2 is a front and left side perspective view thereof;
FIG. 3 is a rear and right side perspective view thereof;
FIG. 4 is a left side view thereof;
FIG. 5 is a right side view thereof;
FIG. 6 is a rear view thereof;
FIG. 7 is a top view thereof; and,
FIG. 8 is a bottom view thereof.

1 Claim, 8 Drawing Sheets



(56)

References Cited

U.S. PATENT DOCUMENTS

D282,675 S * 2/1986 Arigaya D21/548
 D287,477 S * 12/1986 Takasu D12/85
 D307,247 S * 4/1990 Clenet D12/90
 D378,994 S * 4/1997 Picard D12/90
 D389,783 S * 1/1998 Tomforde D12/91
 D391,899 S * 3/1998 Chibuka D12/91
 D404,690 S * 1/1999 Garand D12/91
 D447,191 S * 8/2001 Hoelzel D21/433
 D459,764 S * 7/2002 Hoelzel D21/433
 D466,054 S * 11/2002 Hsu D12/92
 D528,042 S * 9/2006 Suga D12/91
 D578,436 S * 10/2008 Tsuchiya D12/90
 D599,703 S * 9/2009 Tamiya D12/91
 D601,923 S * 10/2009 Suga D12/90
 D608,248 S * 1/2010 Hirai D12/90
 D610,039 S * 2/2010 Koide D12/90
 D619,047 S * 7/2010 Foster D12/91
 D619,929 S * 7/2010 Tyler D12/1
 D621,749 S * 8/2010 Suga D12/92
 D629,717 S * 12/2010 Artioli D12/91
 D639,208 S * 6/2011 Li D12/86
 D651,132 S * 12/2011 Lambri D12/86
 D671,453 S * 11/2012 Fernandez Isoird D12/86
 D678,819 S * 3/2013 Akamine D12/90
 D684,091 S * 6/2013 Frenzel D12/90
 D691,921 S * 10/2013 Kasamatsu D12/86
 D693,271 S * 11/2013 Burki D12/90
 D695,644 S * 12/2013 Timonen D12/85
 D696,606 S * 12/2013 Dong D12/90
 D705,702 S * 5/2014 Auerbach D12/92
 D706,681 S * 6/2014 Auerbach D12/92
 D719,062 S * 12/2014 Wada D12/90

8,944,456 B2 * 2/2015 Tsukerman B62D 31/003
 280/638
 D724,999 S * 3/2015 Murray D12/91
 D729,121 S * 5/2015 Engler D12/86
 D731,361 S * 6/2015 Burki D12/91
 D754,564 S * 4/2016 Bouzige D12/91
 D762,143 S * 7/2016 Tu D12/91
 D763,735 S * 8/2016 Tu D12/91
 9,415,813 B2 * 8/2016 Ahn B60J 7/143
 D772,757 S * 11/2016 Tu D12/91
 D778,785 S * 2/2017 Hirokawa D12/86
 D788,641 S * 6/2017 Arnold D12/86
 D789,250 S * 6/2017 Arnold D12/86
 D794,508 S * 8/2017 Watanuki D12/86
 D804,353 S * 12/2017 Tsuji D12/86
 D805,443 S * 12/2017 Coates D12/169
 D807,786 S * 1/2018 Beiling D12/86
 D811,270 S * 2/2018 Zhang D12/91
 D817,228 S * 5/2018 Kroll D12/85
 D819,494 S * 6/2018 Zhou D12/91
 D826,779 S * 8/2018 Benedini D12/86
 D826,782 S * 8/2018 Goeppel D12/91
 D830,900 S * 10/2018 Suzuki D12/86
 D834,999 S * 12/2018 Ma D12/90
 D859,211 S * 9/2019 Nightingale D12/86
 D874,975 S * 2/2020 Okonsky D12/85
 D874,976 S * 2/2020 Okonsky D12/85
 D911,221 S * 2/2021 Pishevar D12/90

FOREIGN PATENT DOCUMENTS

DE 102019215284 A1 * 10/2020 B60S 1/0438
 FR 3065194 A3 * 10/2018 B62D 61/065

* cited by examiner

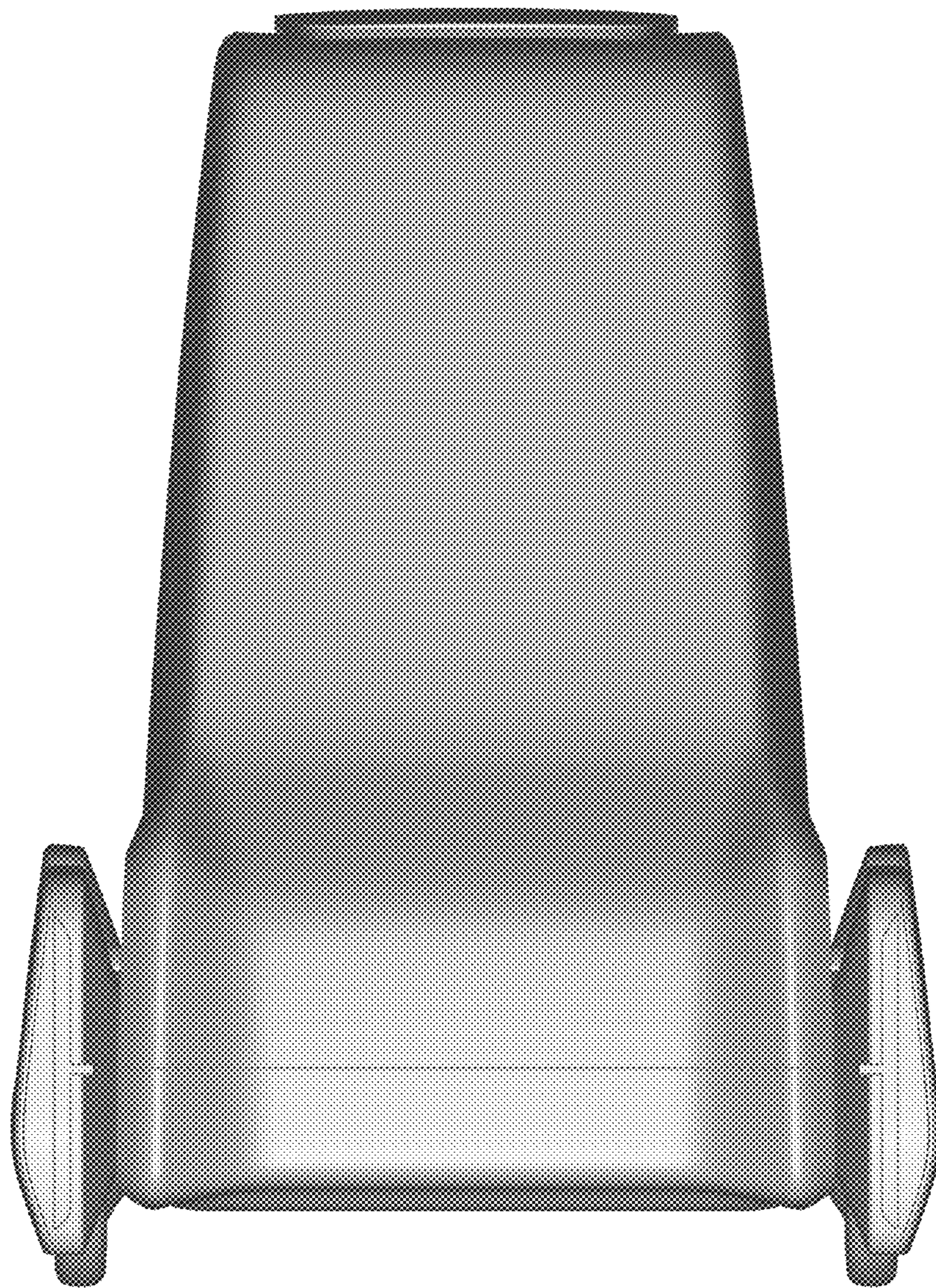


FIG. 1

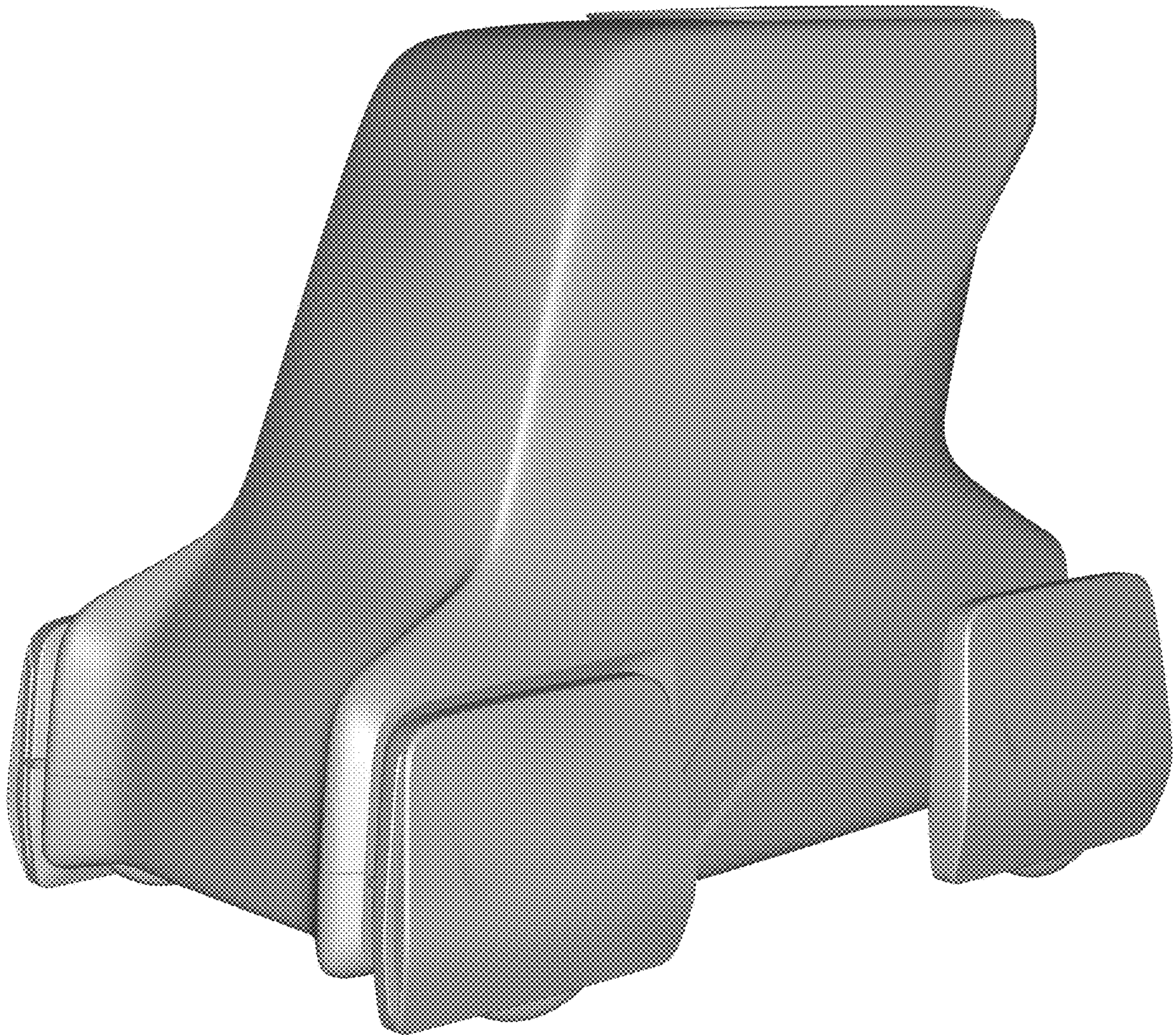


FIG. 2

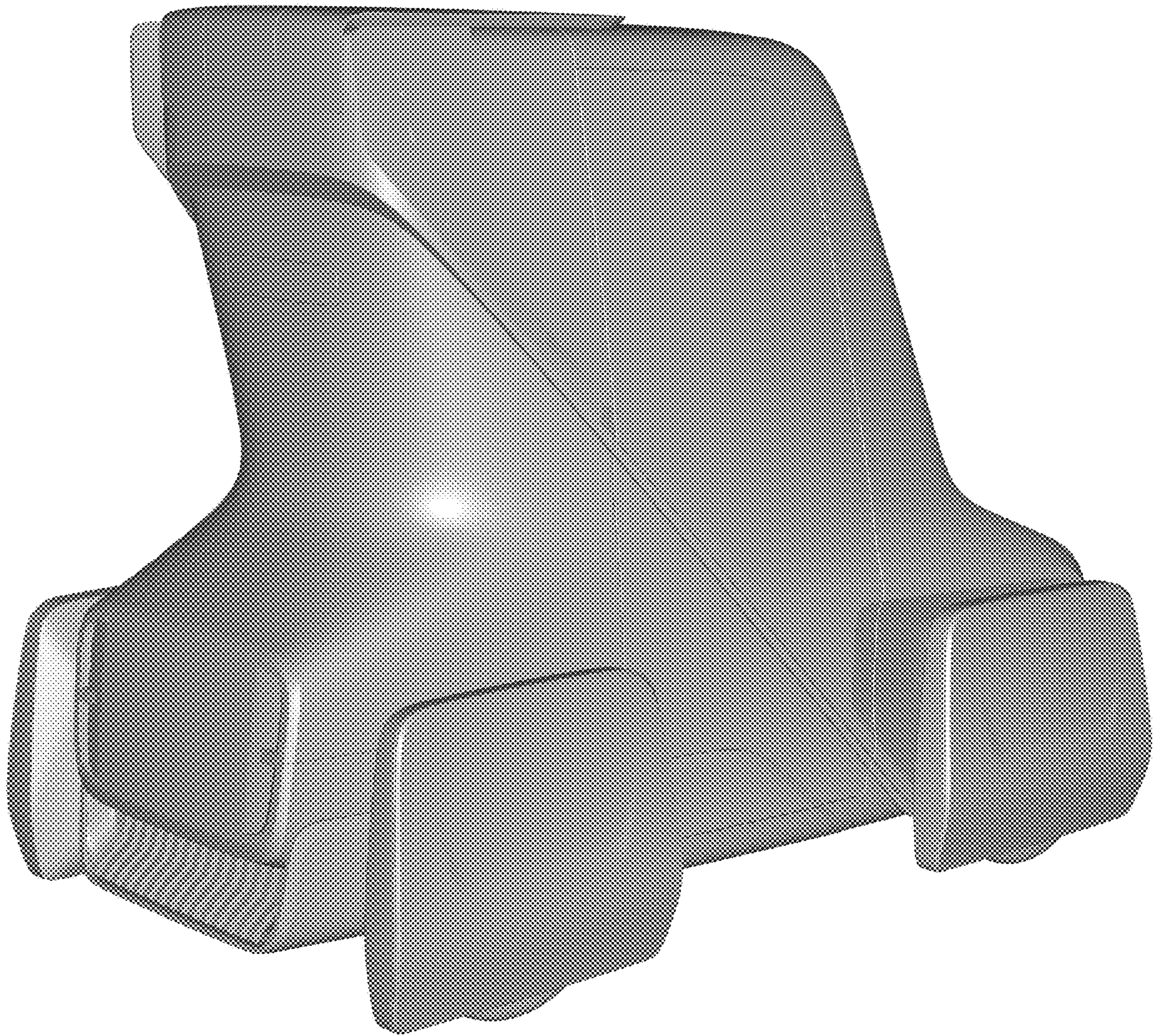


FIG. 3

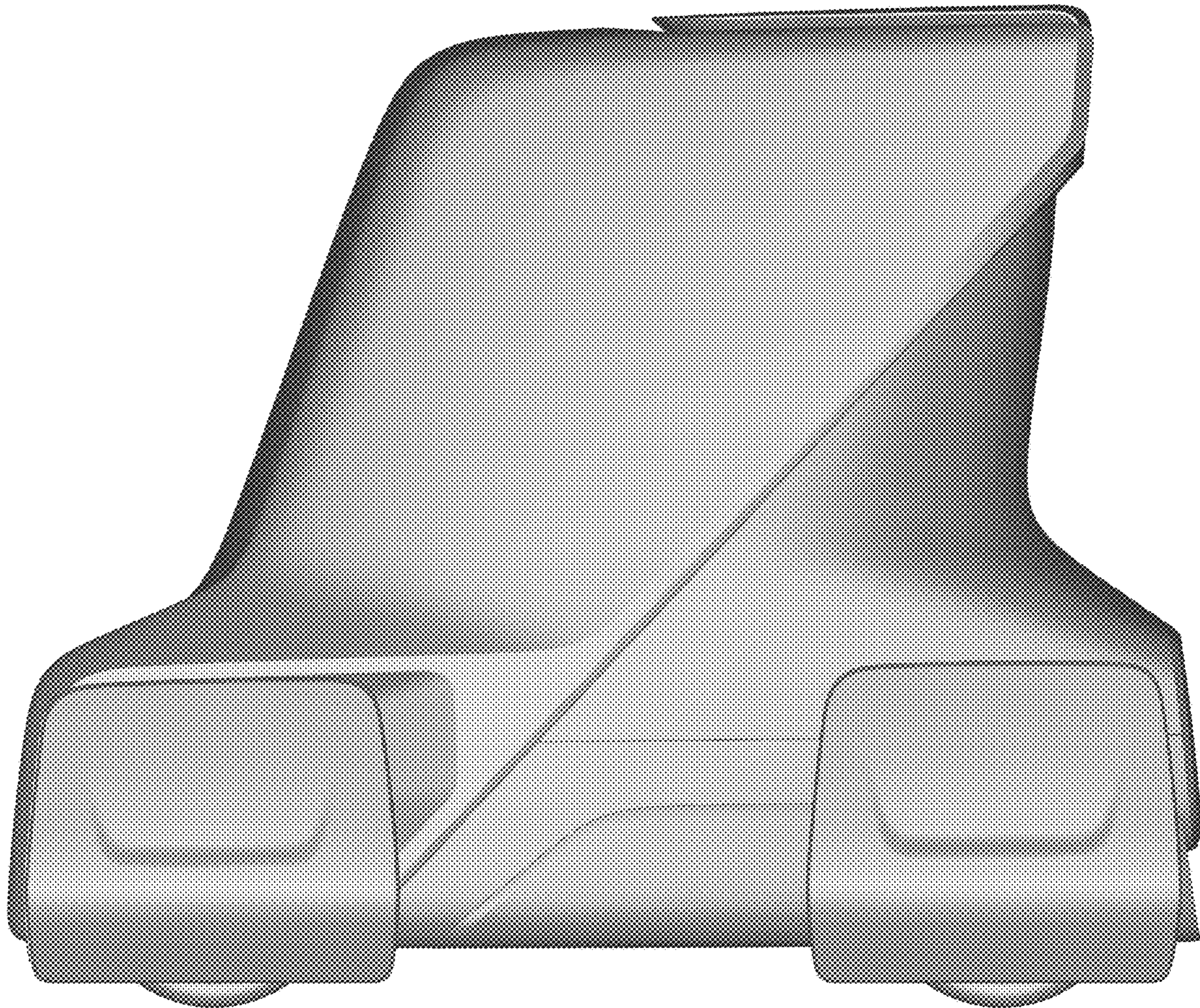


FIG. 4

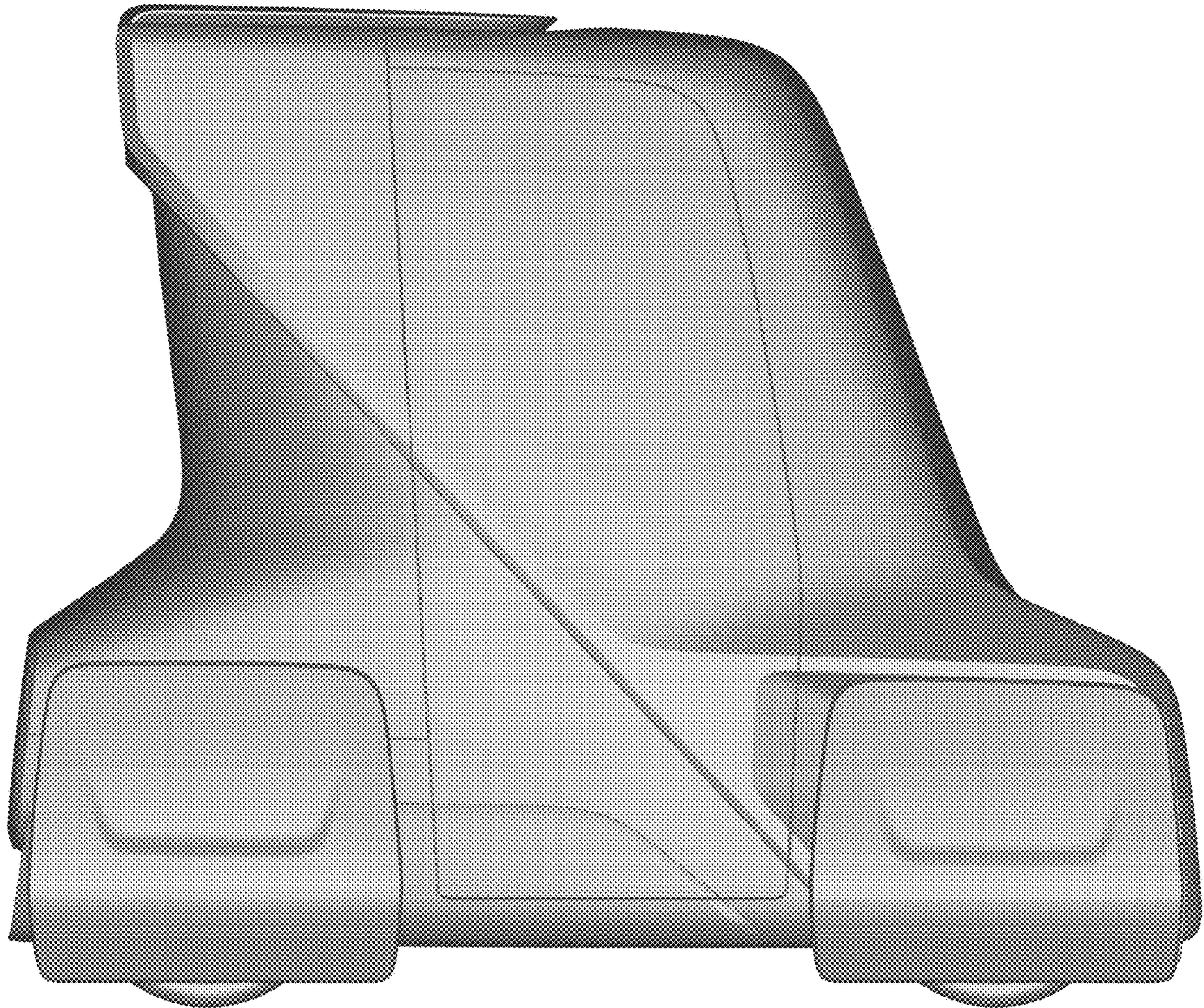


FIG. 5

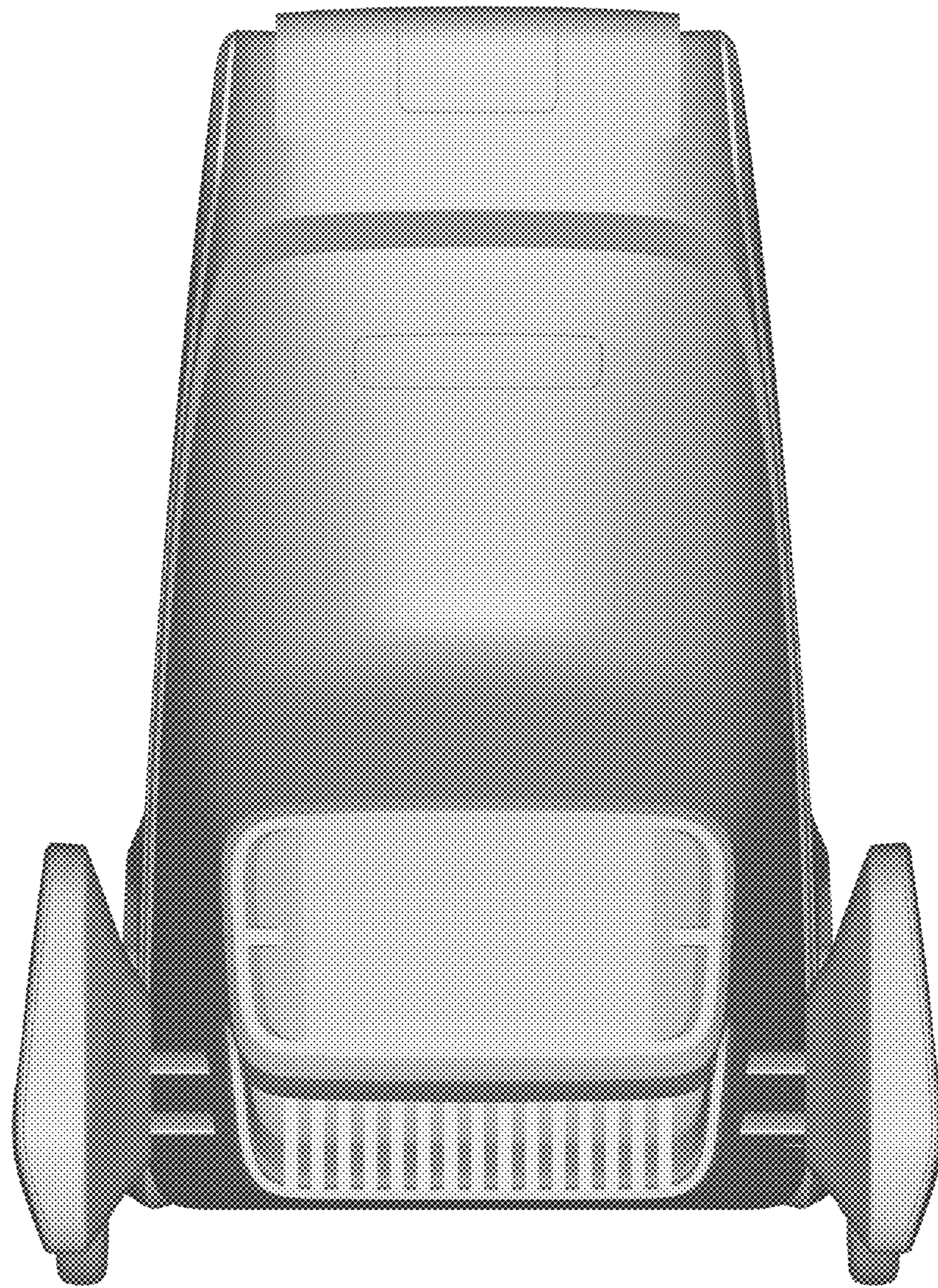


FIG. 6

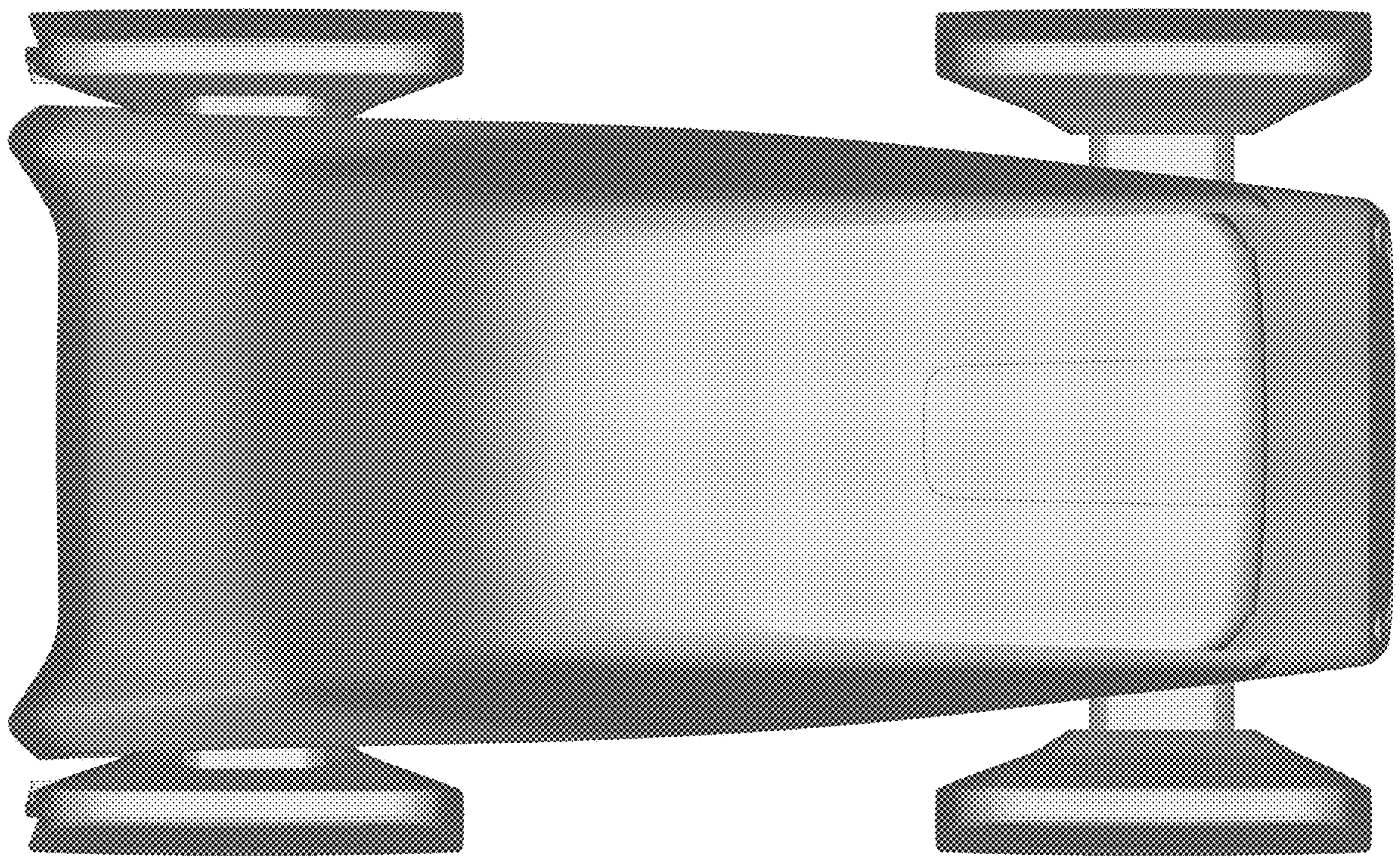


FIG. 7

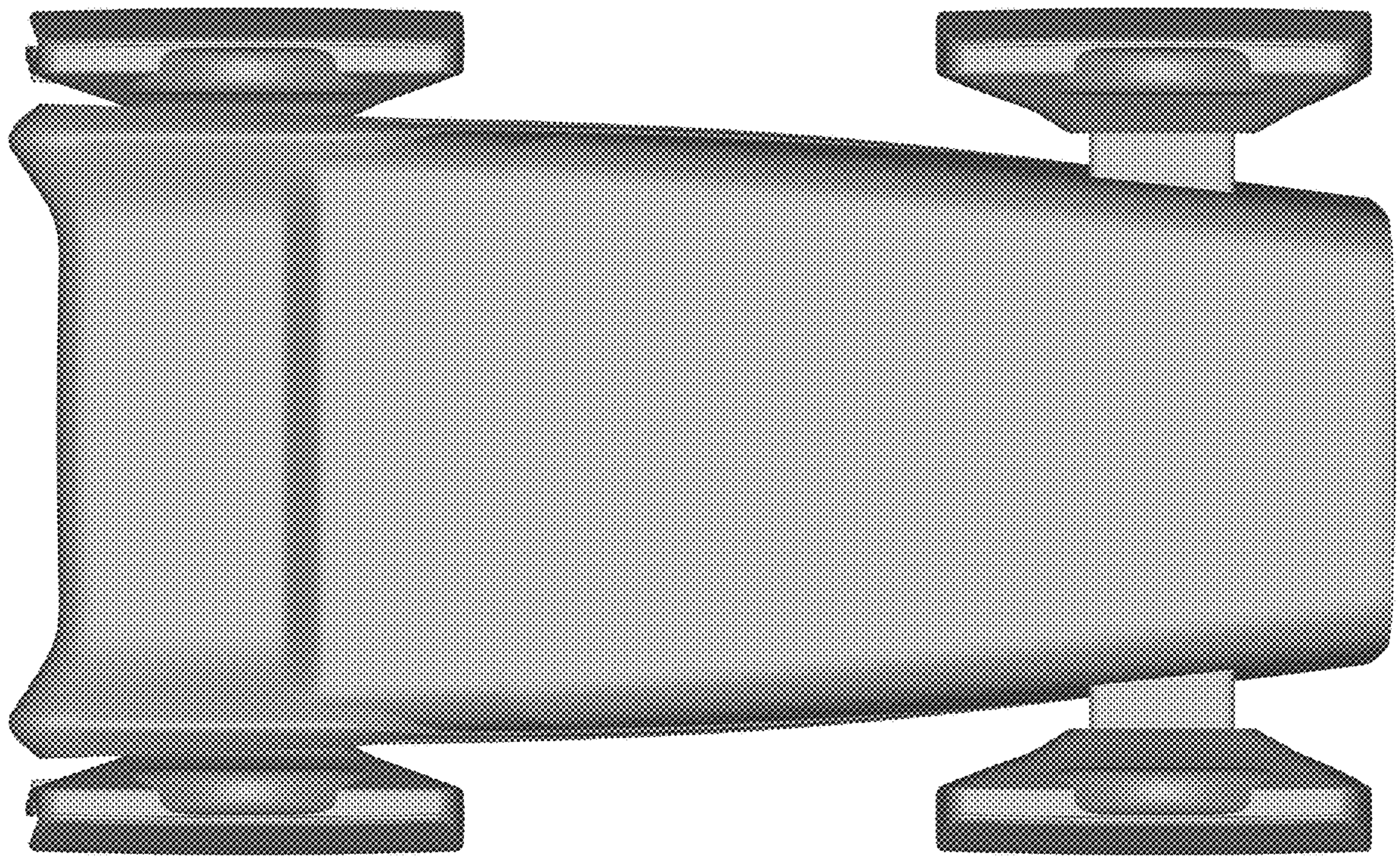


FIG. 8