



US00D931142S

(12) **United States Design Patent**
Lin

(10) **Patent No.:** **US D931,142 S**

(45) **Date of Patent:** **** Sep. 21, 2021**

(54) **ZIPPER**

(71) Applicant: **Yung-Hsiung Lin**, Taipei (TW)

(72) Inventor: **Yung-Hsiung Lin**, Taipei (TW)

(**) Term: **15 Years**

(21) Appl. No.: **29/651,424**

(22) Filed: **Aug. 14, 2018**

Related U.S. Application Data

(63) Continuation-in-part of application No. 15/666,586, filed on Aug. 2, 2017, now abandoned.

(30) **Foreign Application Priority Data**

Aug. 4, 2016 (TW) 105211795

(51) **LOC (13) Cl.** **02-07**

(52) **U.S. Cl.**
USPC **D11/221**

(58) **Field of Classification Search**

USPC D2/639, 705, 742-744, 747, 828, 830,
D2/836, 839, 848, 853, 857, 863, 864,
D2/911, 946; D8/354, 356; D11/200,
D11/201, 213, 214, 220-222, 228
CPC . A41D 1/06; A41D 1/062; A41D 1/08; A41D
1/082; A41D 13/02; A41D 27/201; A41D
27/202; A41D 27/205; A41B 2300/322;
A44B 19/00; A44B 19/02; A44B 19/04;
A44B 19/06; A44B 19/08; A44B 19/10;
A44B 19/24; A44B 19/26; A44B 19/28;
A44B 19/30; A44B 19/262; A44B
19/308; A44B 19/386; A44B 19/388;
Y10T 24/2568; Y10T 24/2575; Y10T
24/579; Y10T 24/2582
See application file for complete search history.

(56) **References Cited**

U.S. PATENT DOCUMENTS

3,038,227 A * 6/1962 Godfrey A44B 19/308
24/422

4,679,281 A * 7/1987 Ishii A44B 19/308
24/422
4,980,954 A * 1/1991 Takabatake A44B 19/306
24/421
5,603,144 A * 2/1997 Akashi A44B 19/308
24/421

(Continued)

FOREIGN PATENT DOCUMENTS

EM RGN * 8/2017
004131340-0001

Primary Examiner — Kevin K Rudzinski

Assistant Examiner — Richard Kearney

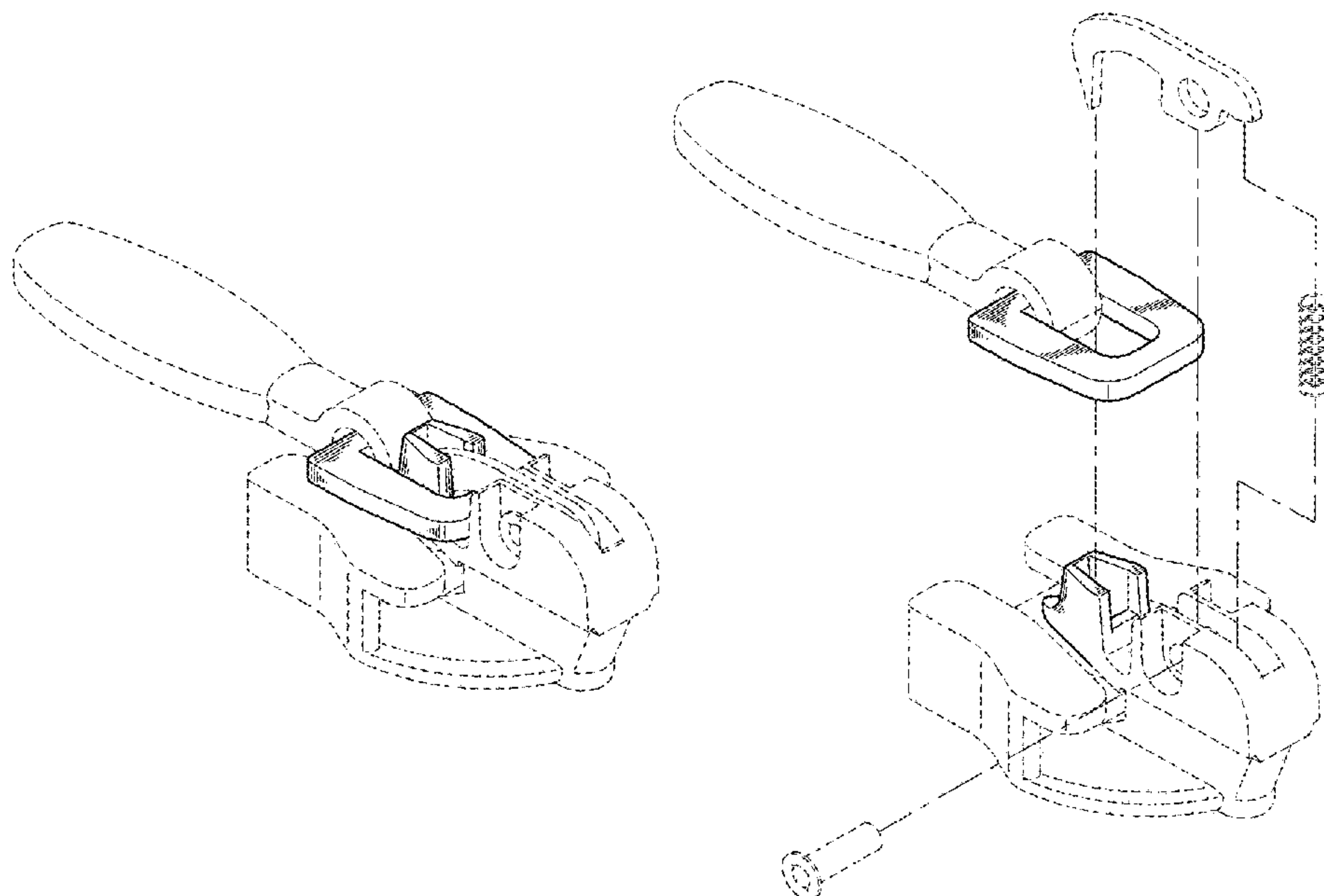
(57) **CLAIM**

The ornamental design for a zipper, as shown and described.

DESCRIPTION

FIG. 1 is a perspective view of a zipper showing the new design;
FIG. 2 is a front elevation view thereof;
FIG. 3 is a rear elevation view thereof;
FIG. 4 is a left side elevation view thereof;
FIG. 5 is a right side elevation view thereof;
FIG. 6 is a top plan view thereof;
FIG. 7 is a bottom plan view thereof;
FIG. 8 is a cross sectional view thereof, taking along line 8-8 of FIG. 2;
FIG. 9 is a perspective view thereof, showing the zipper in a condition of use;
FIG. 10 is a perspective view thereof, showing the zipper in an alternate condition of use; and,
FIG. 11 is an exploded view of the zipper.
The dash-dot-dash broken lines illustrate the bounds of the claims. All broken lines form no part of the claimed design.

1 Claim, 10 Drawing Sheets



(56)

References Cited

U.S. PATENT DOCUMENTS

5,621,954 A * 4/1997 Mizuno A44B 19/26
24/429
D390,811 S * 2/1998 Yaguramaki D11/221
D527,311 S * 8/2006 Yamagishi D11/221
D555,538 S * 11/2007 Lin D11/221
D556,087 S * 11/2007 Lin D11/221
D780,625 S * 3/2017 Hung D11/221
10,070,705 B2 * 9/2018 Lin A44B 19/262
10,092,066 B2 * 10/2018 Lin A44B 19/308
10,561,207 B2 * 2/2020 Lin A44B 19/262
D904,928 S * 12/2020 Hung D11/221
D905,593 S * 12/2020 Hung D11/221
D905,594 S * 12/2020 Hung D11/221
2017/0224061 A1 * 8/2017 Yamagishi A44B 19/26
2019/0208870 A1 * 7/2019 Lin A44B 19/306

* cited by examiner

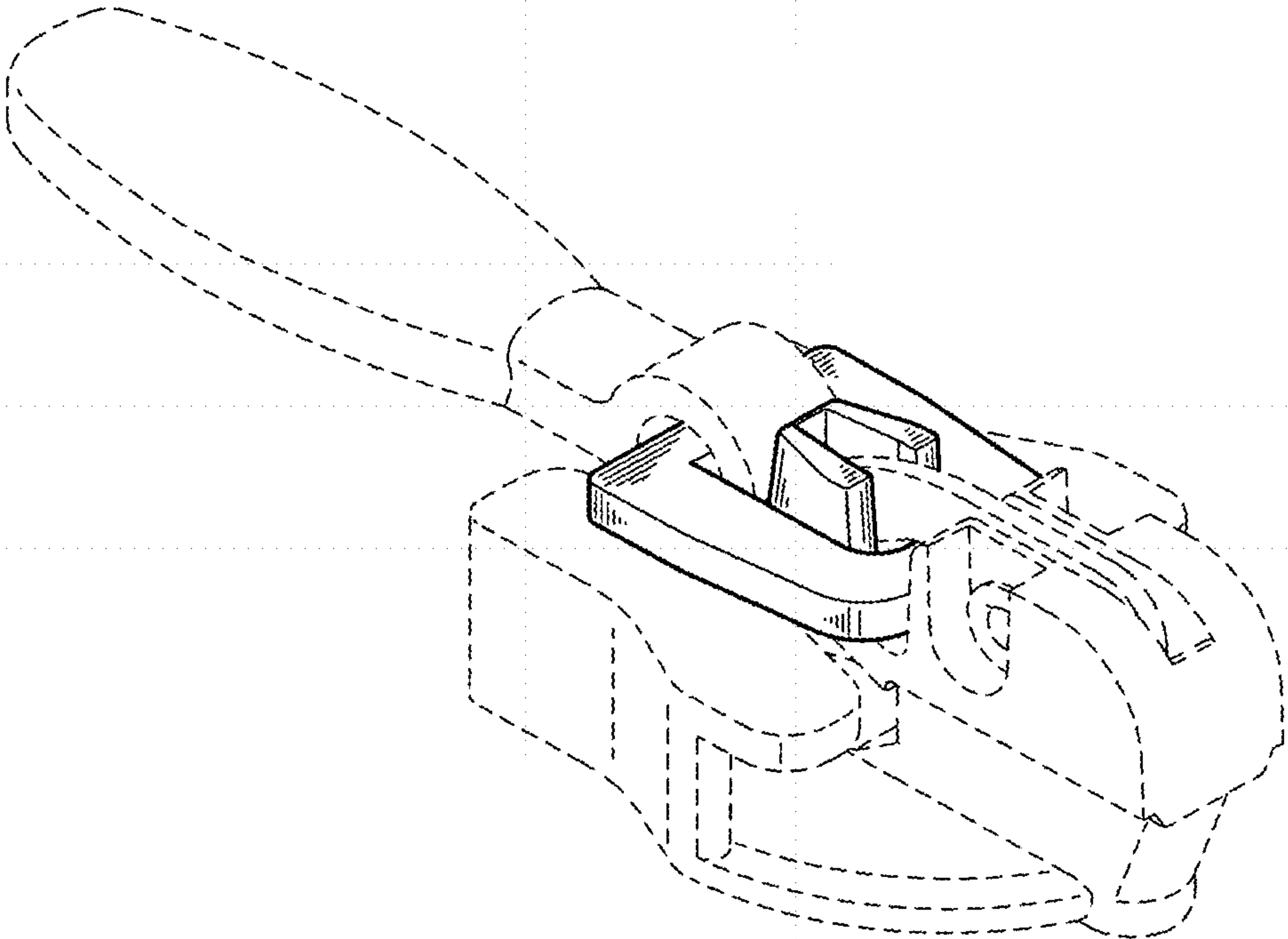


FIG.1

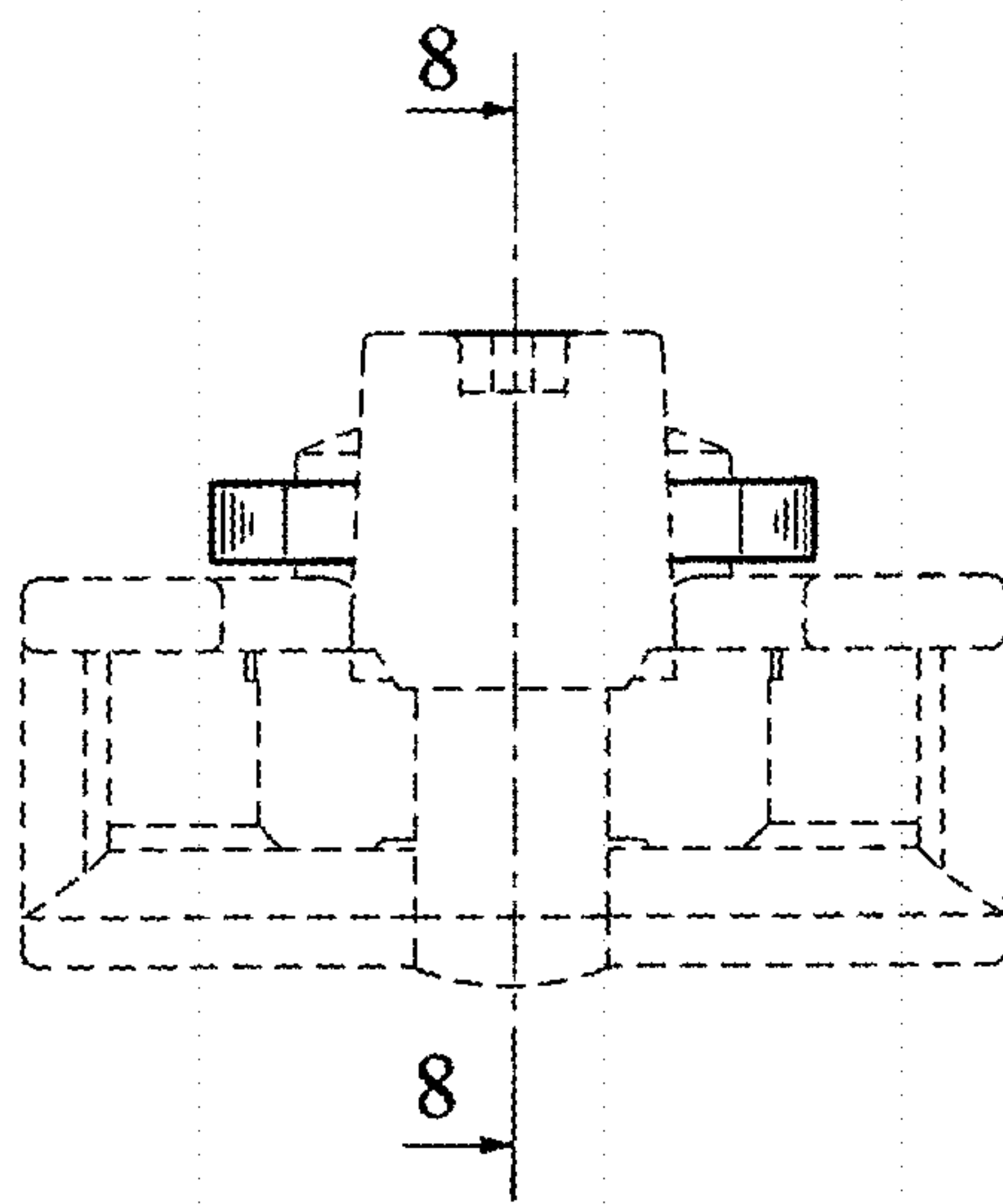


FIG.2

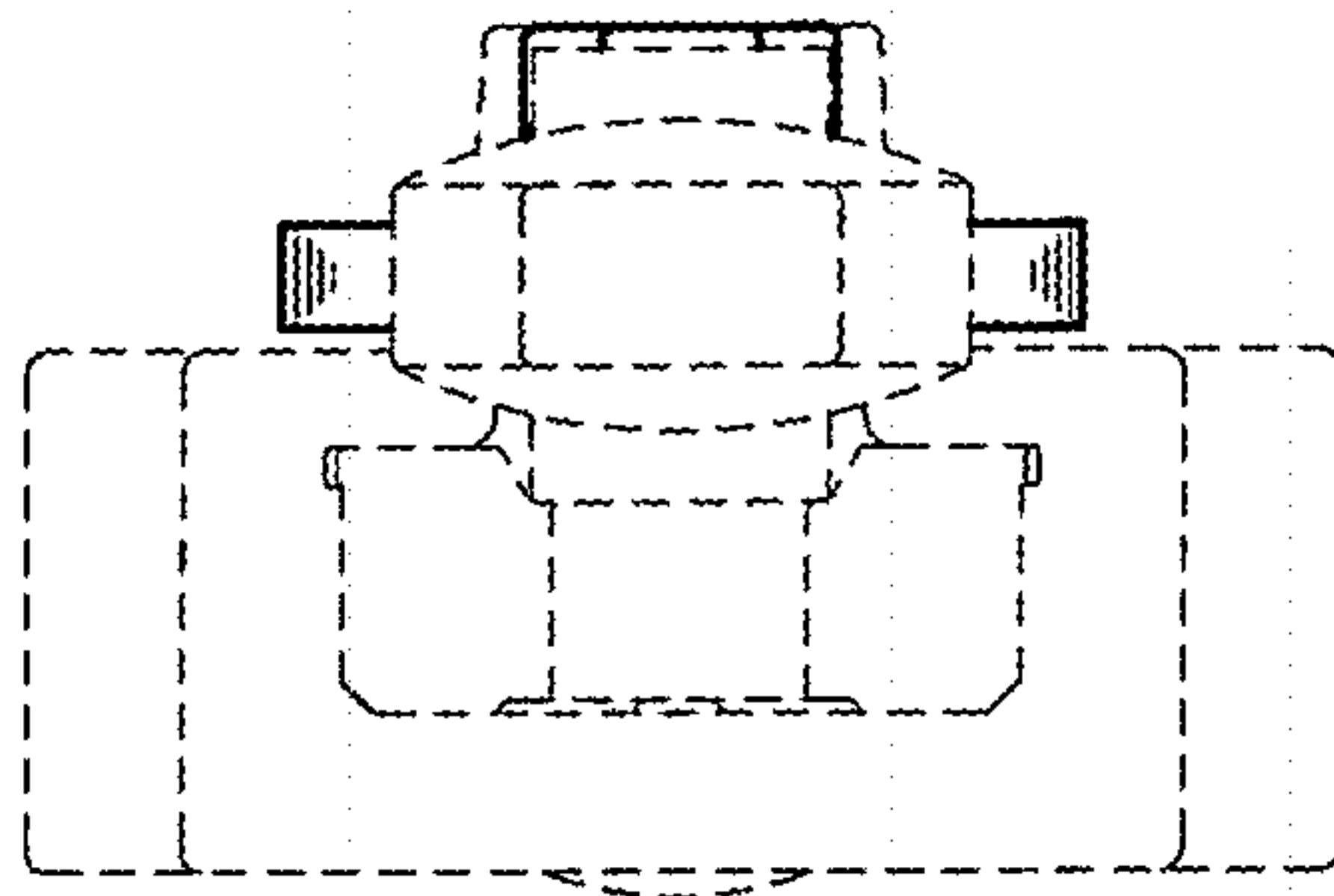


FIG.3

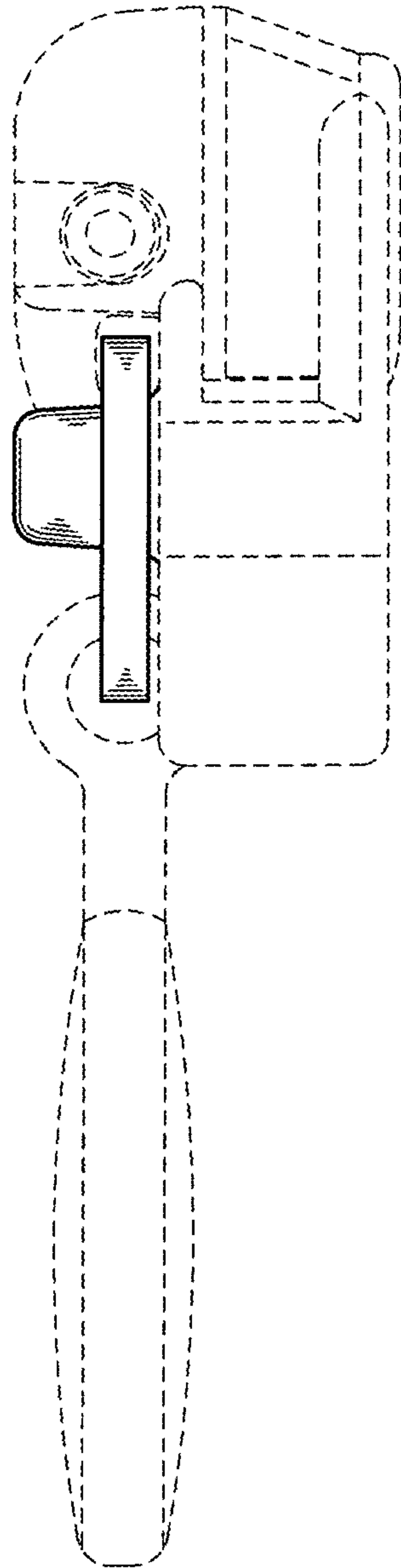


FIG.4

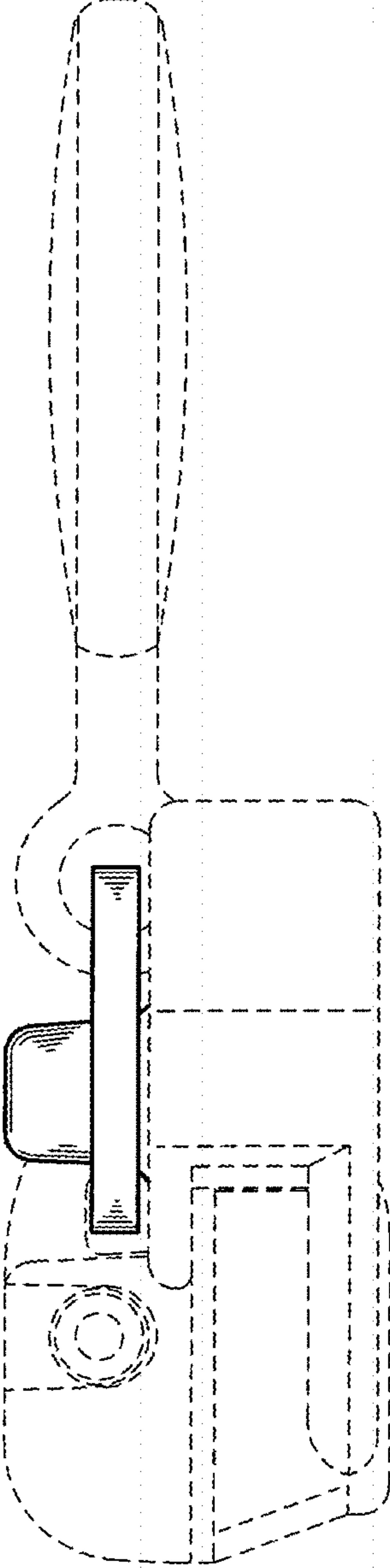


FIG. 5

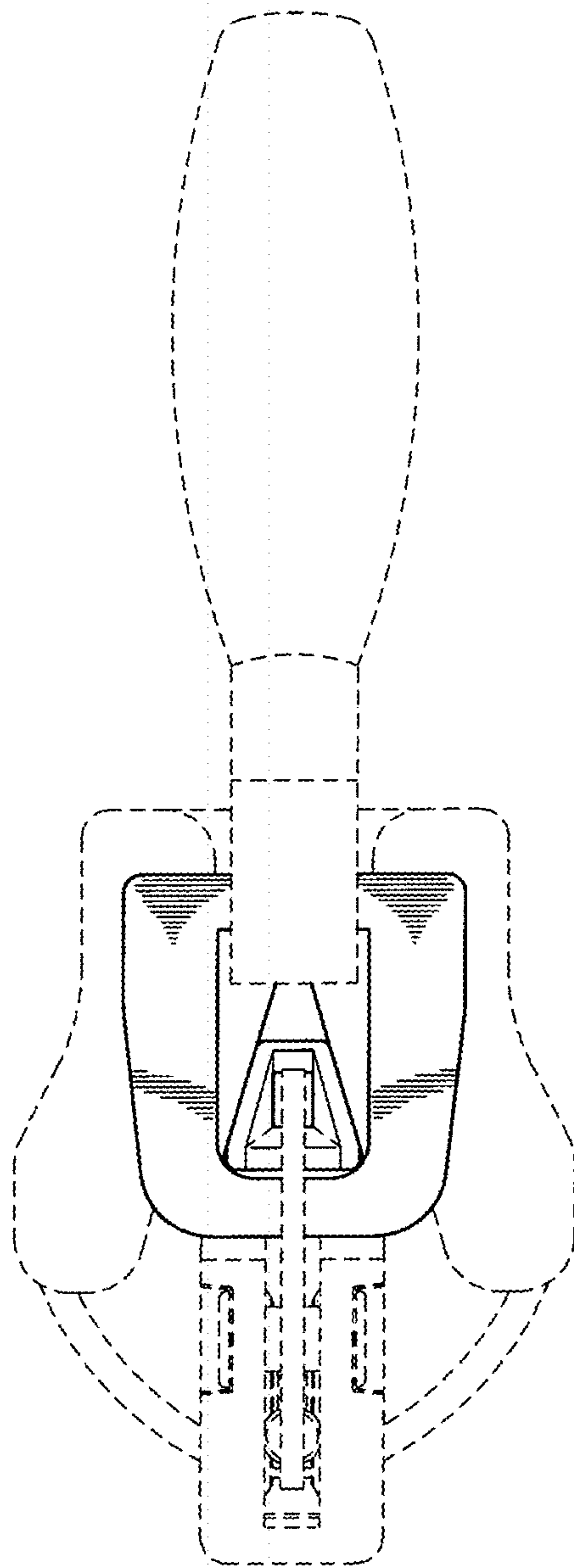


FIG. 6

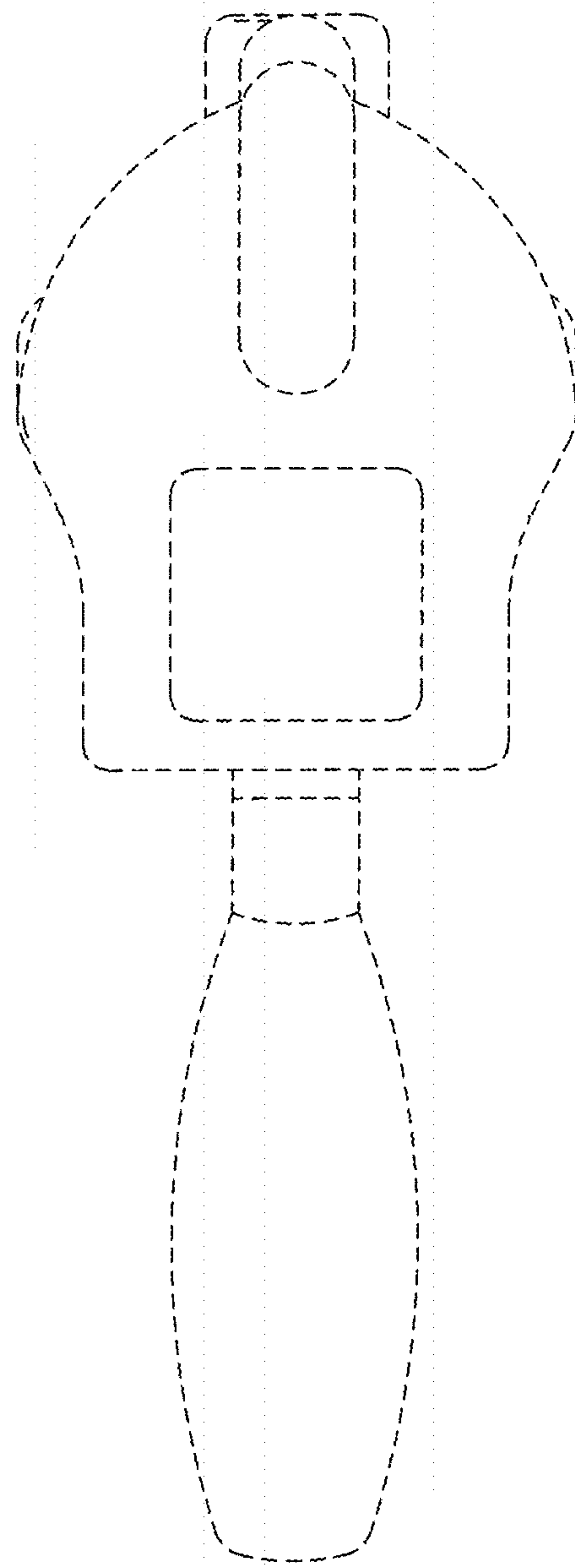


FIG. 7

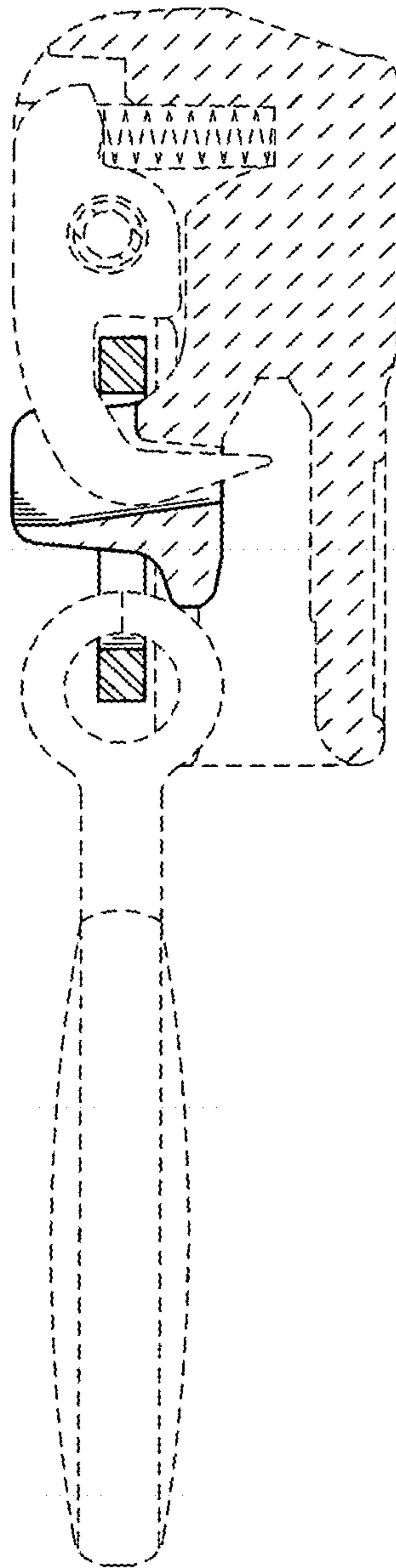


FIG.8(SEC.8-8)

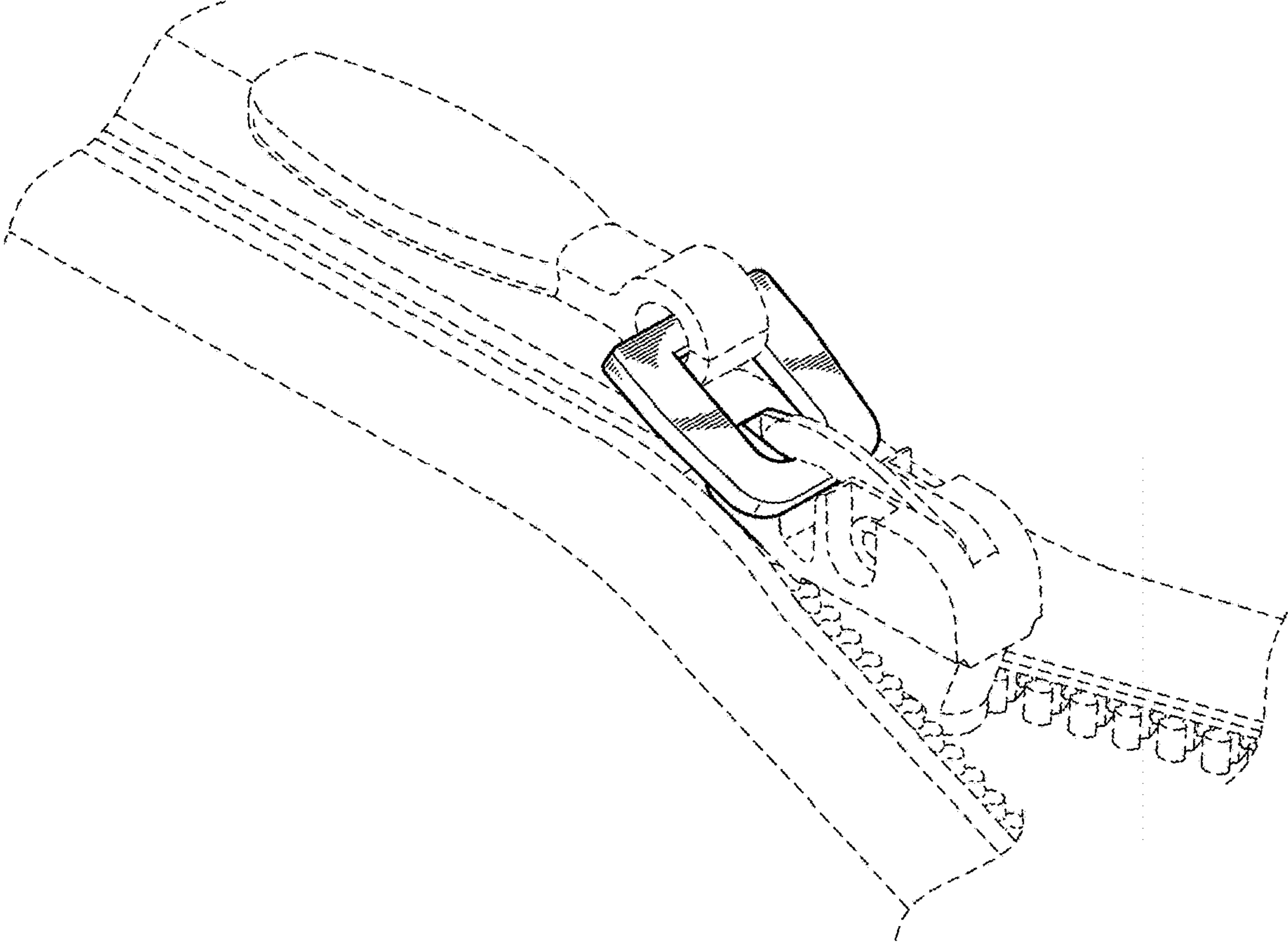


FIG.9

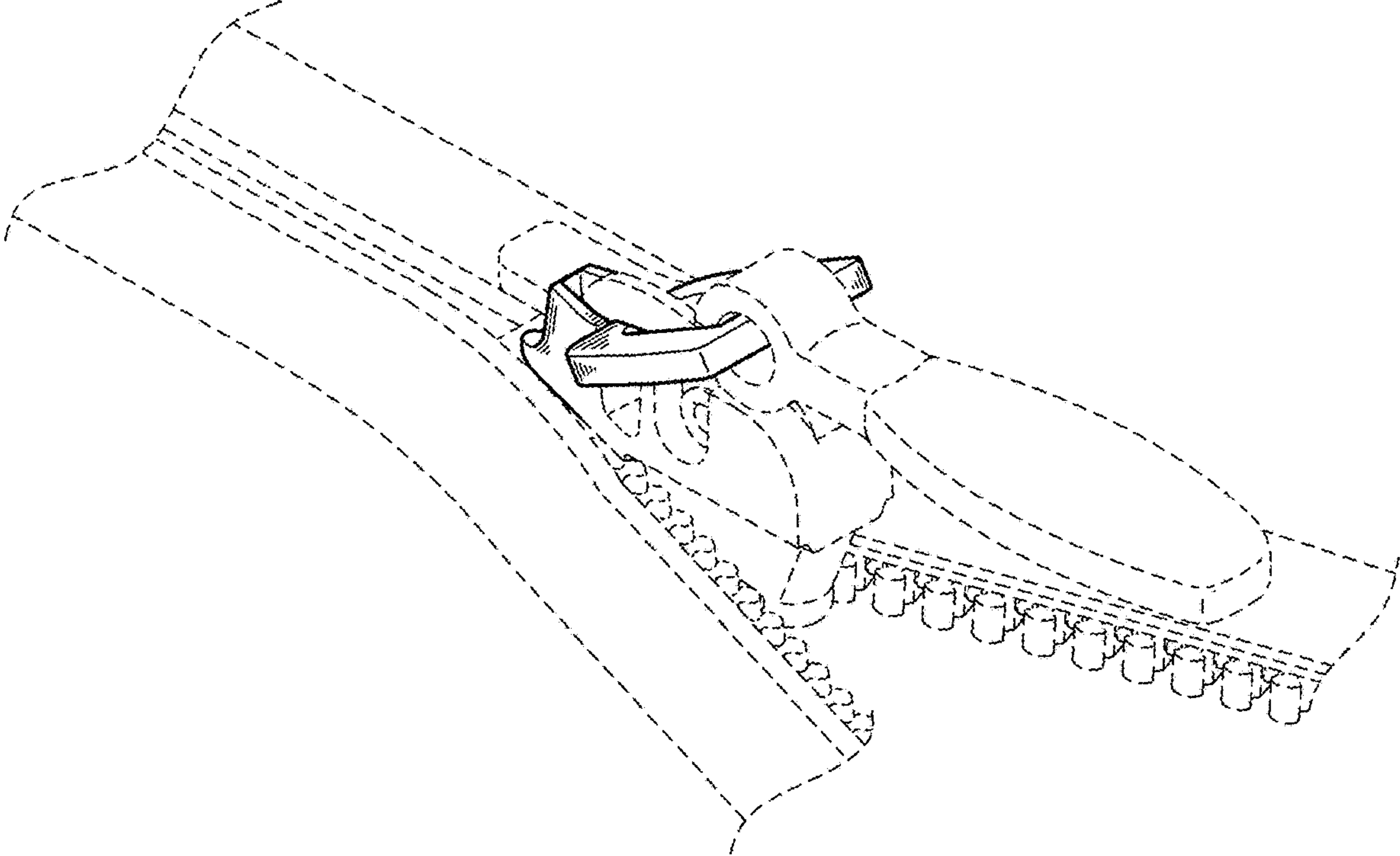


FIG.10

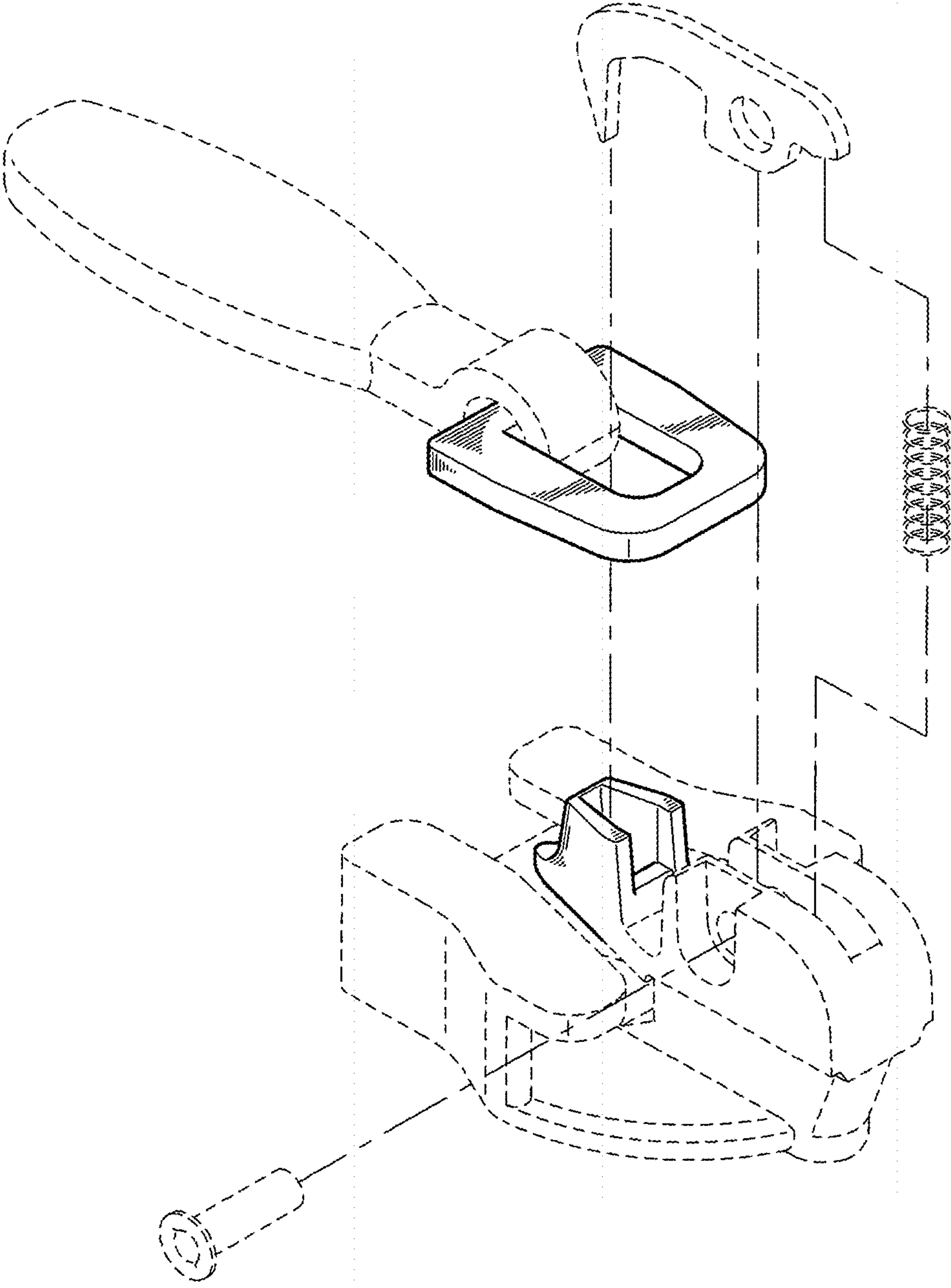


FIG.11