



US00D931141S

(12) **United States Design Patent** (10) **Patent No.:** **US D931,141 S**
Kosh (45) **Date of Patent:** **** Sep. 21, 2021**

(54) **DEVICE FOR SEWING ON STRAP END**
(71) Applicant: **Bodypoint, Inc.**, Seattle, WA (US)
(72) Inventor: **Matthew Kosh**, Seattle, WA (US)
(73) Assignee: **BODYPOINT, INC.**, Seattle, WA (US)
(**) Term: **15 Years**
(21) Appl. No.: **29/683,856**

D763,124 S * 8/2016 Akana D11/94
D763,724 S * 8/2016 Akana D11/94
D798,189 S * 9/2017 Nielsen D11/94
D868,624 S * 12/2019 Paik D11/218
D907,524 S * 1/2021 Devaney D11/94
2006/0168768 A1* 8/2006 Gosis B65D 63/06
24/20 W

FOREIGN PATENT DOCUMENTS

EMRGN-006688529-0001 * 8/2019

OTHER PUBLICATIONS

Oval Minimalist Ring Strap Connectors (available online) Retrieved from the internet May 4, 2021 from URL: <https://bringberry.com/products/round-minimalist-ring-strap-connectors-4-pack>.*

(Continued)

Primary Examiner — Kevin K Rudzinski
Assistant Examiner — Richard Kearney
(74) *Attorney, Agent, or Firm* — Kilpatrick Townsend & Stockton LLP

(57) **CLAIM**

The ornamental design for a device for sewing on strap end, as shown and described.

DESCRIPTION

FIG. 1 is a perspective view of device for sewing on strap end showing my new design;
FIG. 2 is a front elevational view thereof;
FIG. 3 is a rear elevational view thereof;
FIG. 4 is a right side elevational view thereof;
FIG. 5 is a left side elevational view thereof;
FIG. 6 is a top plan view thereof; and,
FIG. 7 is a bottom plan view thereof.

The broken lines shown in the drawings illustrate portions of the article or environment and form no part of the claimed design.

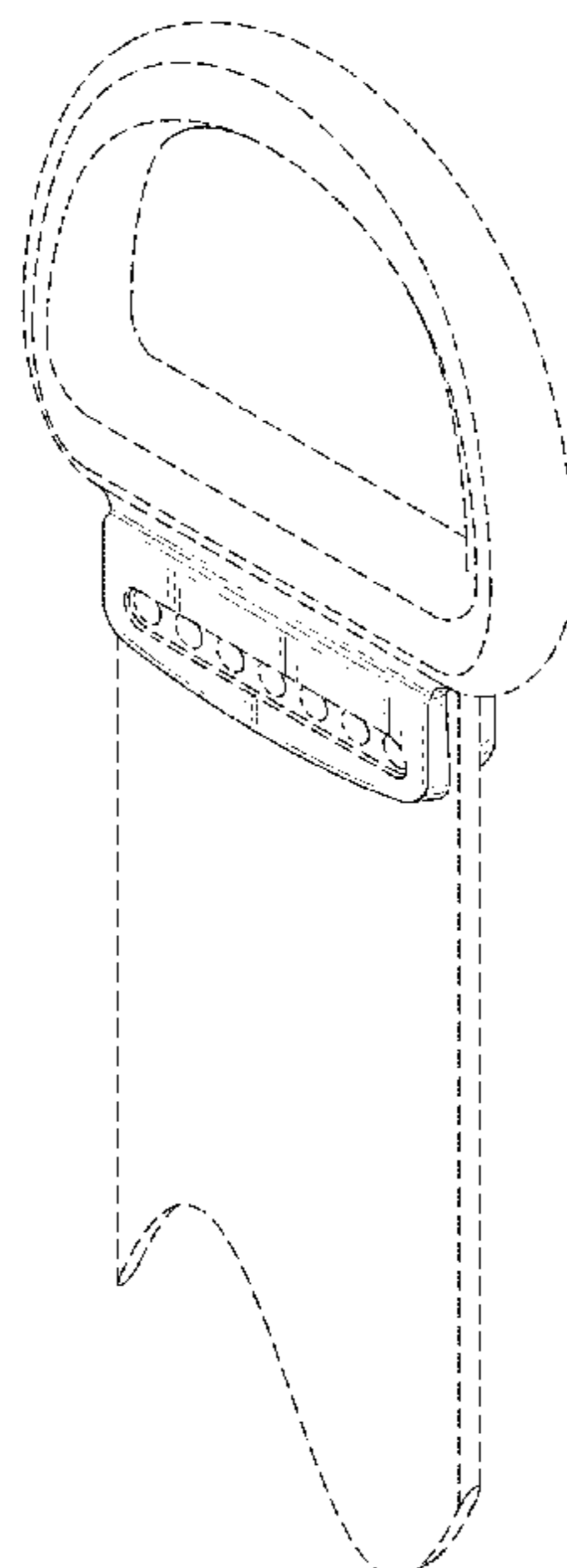
1 Claim, 3 Drawing Sheets

(22) Filed: **Mar. 15, 2019**
(51) **LOC (13) Cl.** **02-07**
(52) **U.S. Cl.**
USPC **D11/218**
(58) **Field of Classification Search**
USPC D3/201, 215, 226, 323, 324; D11/87, 94,
D11/200, 201, 208–210, 212, 214, 215,
D11/216, 218, 220, 221, 228; D15/72,
D15/78; D24/184; D29/100, 122;
D30/139, 152, 153
CPC A44B 11/00; A44B 11/001; A44B 11/006;
A44B 11/04; A44B 11/06; A44B 11/065;
A44B 11/18; A44B 11/20; A44B 11/2538;
A44B 13/0047; A44B 19/00; A44B
19/26; Y10T 24/498; Y10T 24/1467;
Y10T 24/1488; B65D 65/06
See application file for complete search history.

(56) **References Cited**

U.S. PATENT DOCUMENTS

1,890,320 A * 12/1932 Field G09F 7/02
40/662
D471,678 S * 3/2003 Hanna D11/218
D680,902 S * 4/2013 Chan D11/218
D683,262 S * 5/2013 Fitzpatrick D11/218
D738,255 S * 9/2015 Hortnagl D11/218
D739,303 S * 9/2015 Kinskey D11/218



(56)

References Cited

OTHER PUBLICATIONS

Edge wallet clutch bag purse chain strap Connectors (available online) Retrieved from the internet May 4, 2021 from URL: https://www.etsy.com/listing/774233462/4pcs-of-edge-wallet-clutch-bag-purse?gpla=1&gao=1&&utm_source=google&utm_medium=cpc&utm_campaign=shopping_us_c-craft_supplies_and_tools-fabric_and_notions-.*

Open Metal Strap Ends (available online) Retrieved from the internet May 4, 2021 from URL: <https://bringberry.com/products/open-metal-strap-ends-18mm-3-4-package-of-four>.*

Rectangular Strap End Caps (available online) Retrieved from the internet May 4, 2021 from URL: https://emmalinebags.com/products/rectangular-strap-end-caps-1-wide-in-5-finishes-4-pack?_pos=1&_sid=a56fb21d9&_ss=r.*

* cited by examiner

FIG. 1

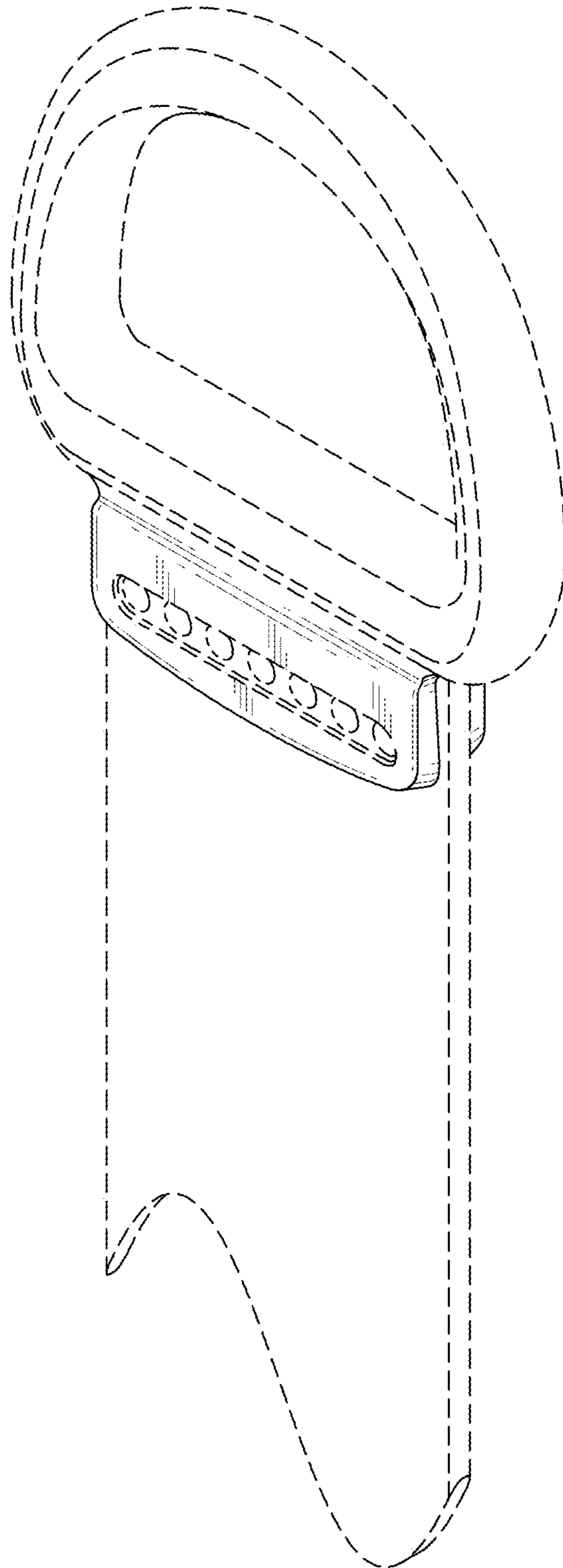


FIG. 2

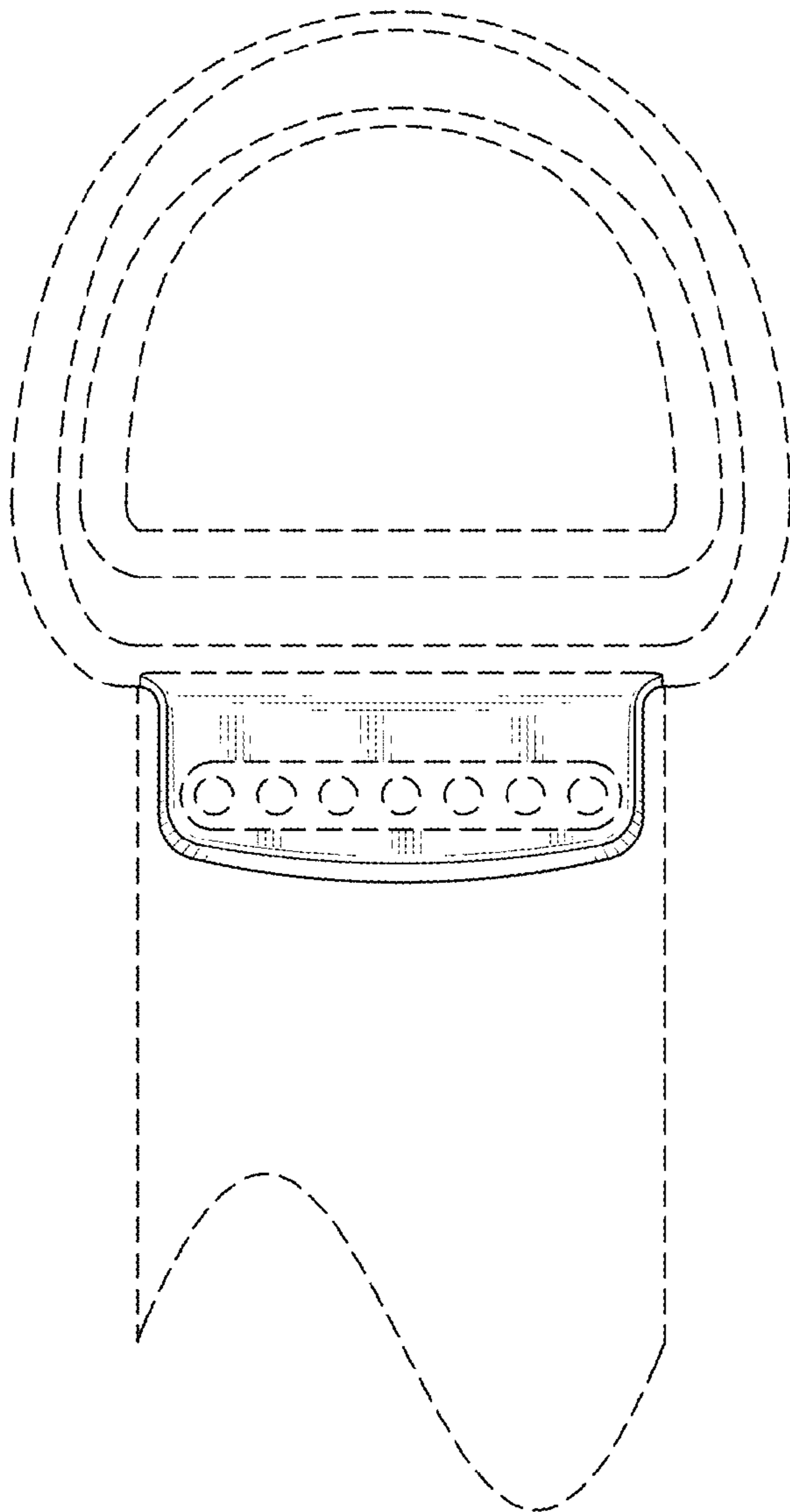


FIG. 3

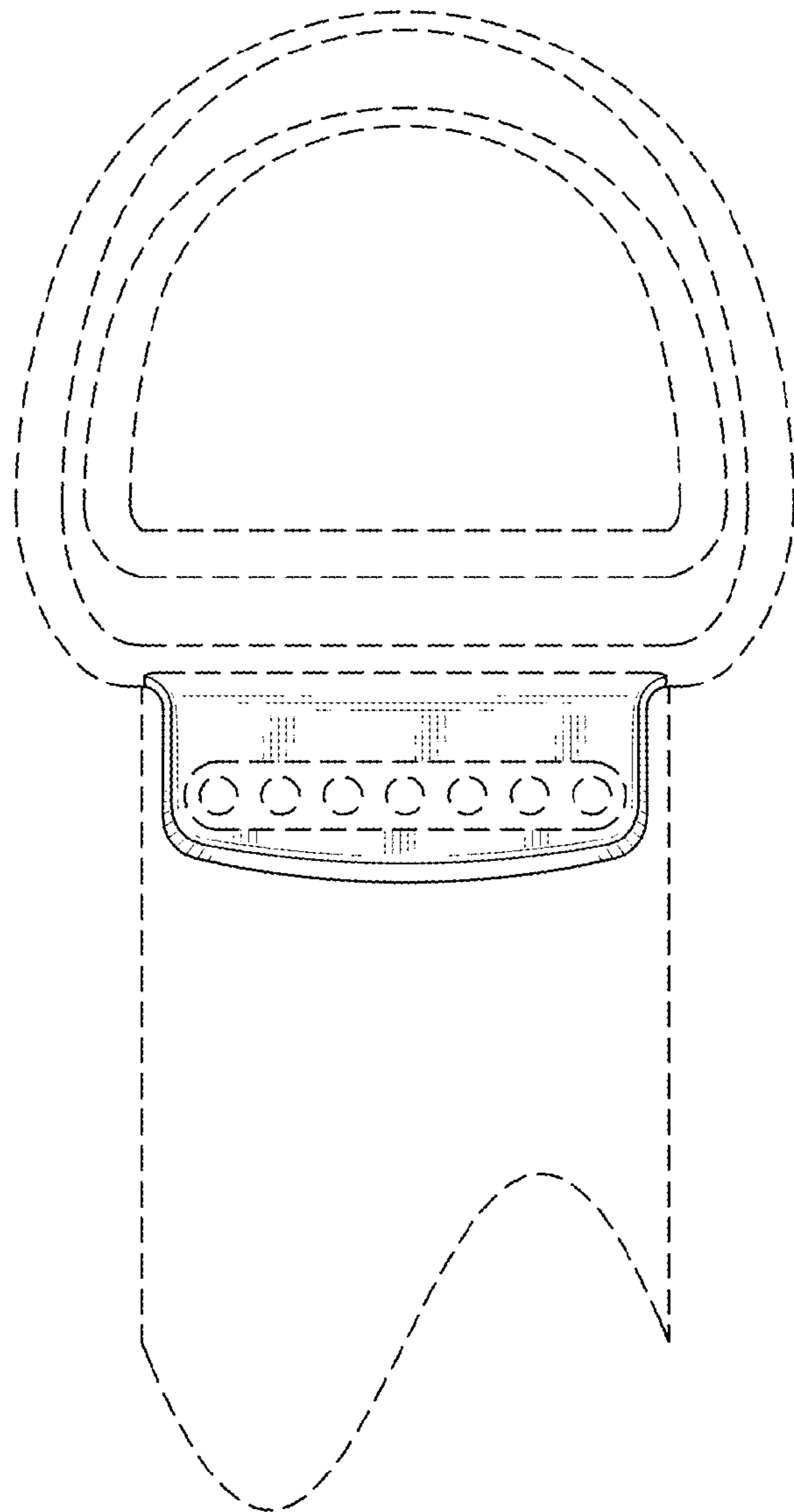


FIG. 4

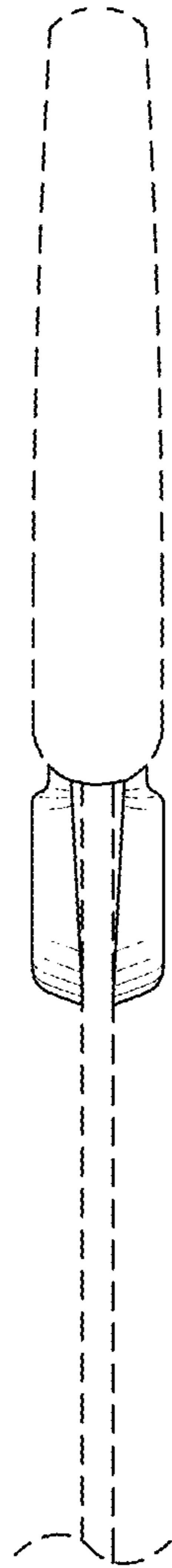


FIG. 5

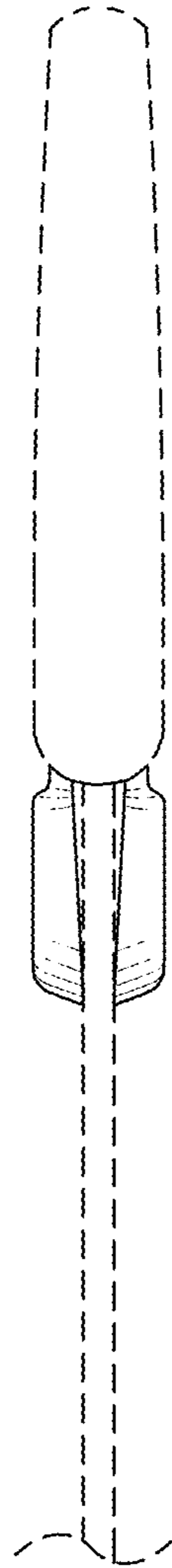


FIG. 6

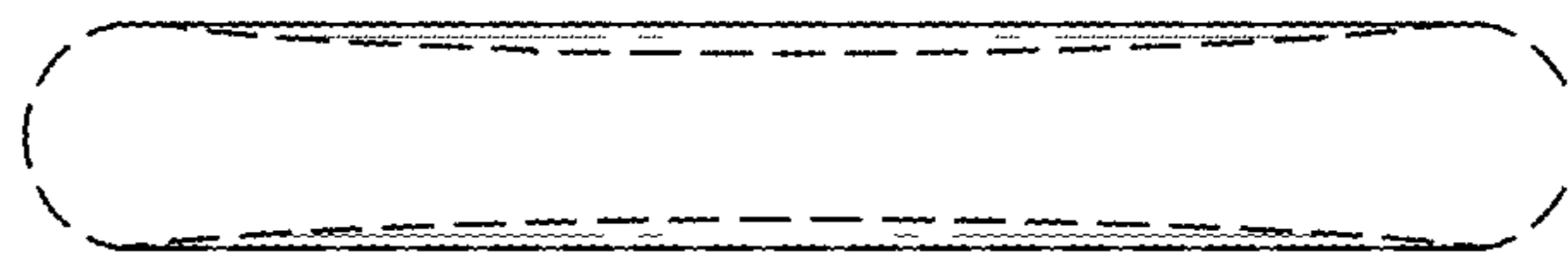


FIG. 7

