



US00D931140S

(12) **United States Design Patent** (10) **Patent No.:** **US D931,140 S**
Paik et al. (45) **Date of Patent:** **** Sep. 21, 2021**

(54) **BUCKLE MEMBER FOR BAGS**

(71) Applicant: **WOJIN PLASTIC CO., LTD.**,
Guri-si (KR)
(72) Inventors: **Jisook Paik**, Seoul (KR); **Nan Hee Paik**, Seoul (KR); **Ji Hye Paik**, Seoul (KR); **Ji Won Son**, Seoul (KR)

(73) Assignee: **WOJIN PLASTIC CO., LTD.**,
Guri-si (KR)

(**) Term: **15 Years**

(21) Appl. No.: **29/673,929**

(22) Filed: **Dec. 18, 2018**

(30) **Foreign Application Priority Data**

Jun. 21, 2018 (KR) 30-2018-0028603

(51) **LOC (13) Cl.** **02-07**

(52) **U.S. Cl.**
USPC **D11/216**

(58) **Field of Classification Search**

USPC D11/200, 201, 208, 212, 215, 216, 218,
D11/219, 220, 221, 86, 87, 93, 94, 231;
D8/383, 382, 499

CPC A44C 23/00; A44C 5/18; A44C 5/185;
A44C 5/2066; A44C 5/2042; A44C
5/2057; A44C 5/2071; A44D 2200/10;
A44D 2201/02; A44D 2201/10; A44D
2201/12; A44D 2201/14; A44D 2201/16;
A44D 2201/30; A44D 2201/32; A44D
2201/34; A44D 2201/36; A44D 2203/00;
A44D 2205/00; A44B 11/00; A44B
11/25; A44B 11/2553; A44B 11/2549;
A44B 11/04

See application file for complete search history.

(56) **References Cited**

U.S. PATENT DOCUMENTS

D484,400 S * 12/2003 Blake D8/356
D531,085 S * 10/2006 Ector-Posey D11/200
D752,480 S * 3/2016 Chan D11/218
D770,939 S * 11/2016 Kolasa D11/216

(Continued)

OTHER PUBLICATIONS

Amazon, ITW Nexus QASM Attach Buckle, posted Sep. 1, 2018, [online], [visited Apr. 23, 2020]. Internet, <URL: <https://www.amazon.co.uk/25mm-ITW-Quick-Attach-Buckle/dp/B07H1P87HZ/ref>> (Year: 2018).*

(Continued)

Primary Examiner — Sheryl Lane

Assistant Examiner — Samantha N Wood

(74) *Attorney, Agent, or Firm* — Novick, Kim & Lee, PLLC; Jae Youn Kim

(57) **CLAIM**

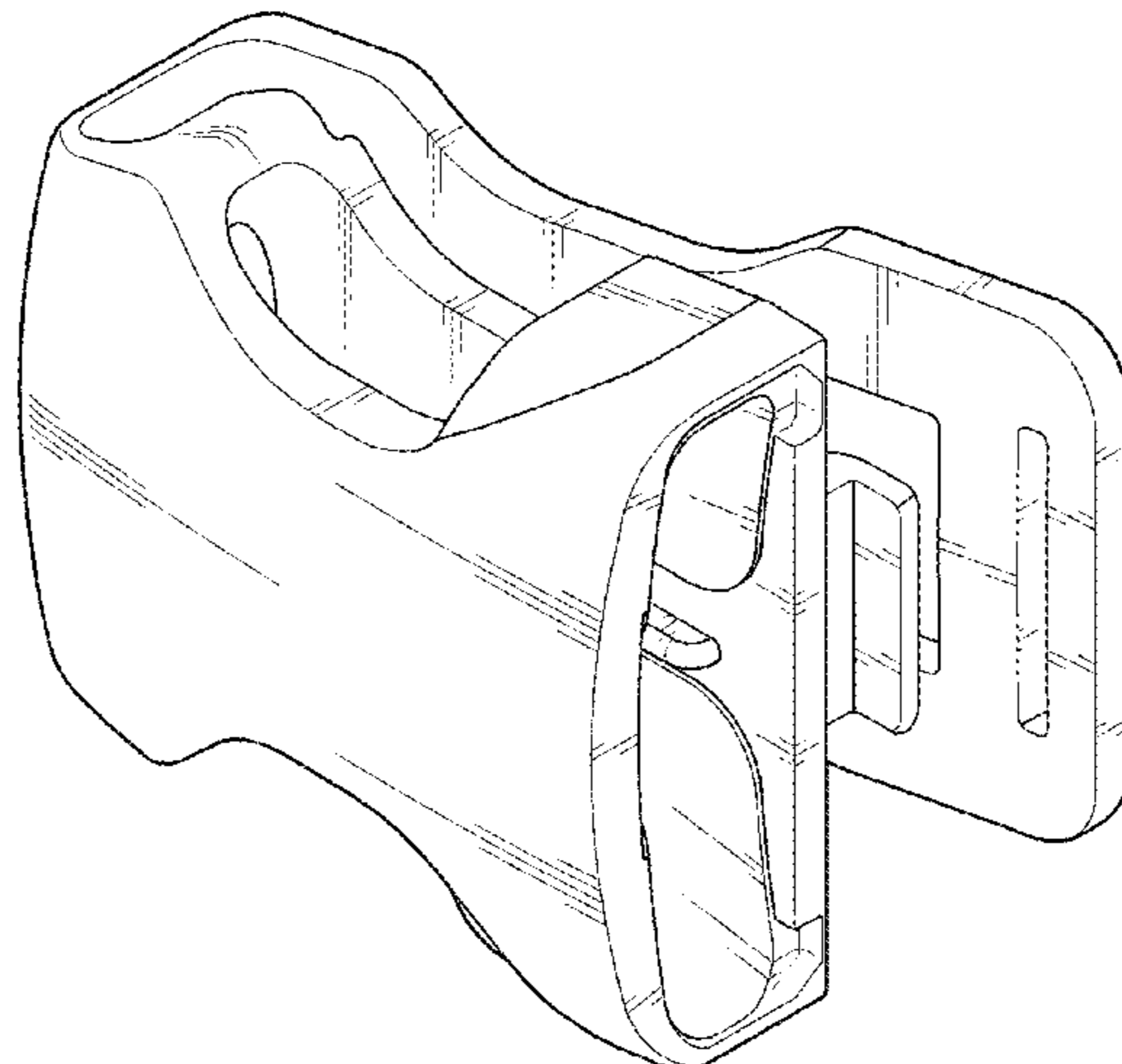
The ornamental design for a buckle member for bags, as shown and described.

DESCRIPTION

FIG. 1 is a perspective view of a buckle member for bags, showing our new design;
FIG. 2 is a front view thereof;
FIG. 3 is a rear view thereof;
FIG. 4 is a left-side view thereof;
FIG. 5 is a right-side view thereof;
FIG. 6 is a top view thereof;
FIG. 7 is a bottom view thereof;
FIG. 8 is a cross-sectional view taken along line 8-8 in FIG. 2; and
FIG. 9 is a perspective view of the buckle member for bags shown in an exemplary environment; and,
FIG. 10 is a perspective view of the buckle member of FIG. 9 shown in use.

The broken lines in the drawings are directed to environmental matter and form no part of the claimed design.

1 Claim, 6 Drawing Sheets



(56)

References Cited

U.S. PATENT DOCUMENTS

D799,370 S * 10/2017 Paik D11/216
D859,208 S * 9/2019 Ishii D11/218
D862,283 S * 10/2019 Paik D11/216

OTHER PUBLICATIONS

Youtube, Molle, posted Aug. 9, 2016, [online], [visited Apr. 25, 2020]. Internet, <URL: <https://www.youtube.com/watch?v=P9Bm13IWcAM>> (Year: 2016).*

Youtube, ITW Nexus new GTSR 2 A.S. Anti-slip Buckle, posted Sep. 9, 2013, [online], [visited Apr. 25, 2020]. Internet, <URL: <https://www.youtube.com/watch?v=QXHa3grwTco>> (Year: 2013).*

* cited by examiner

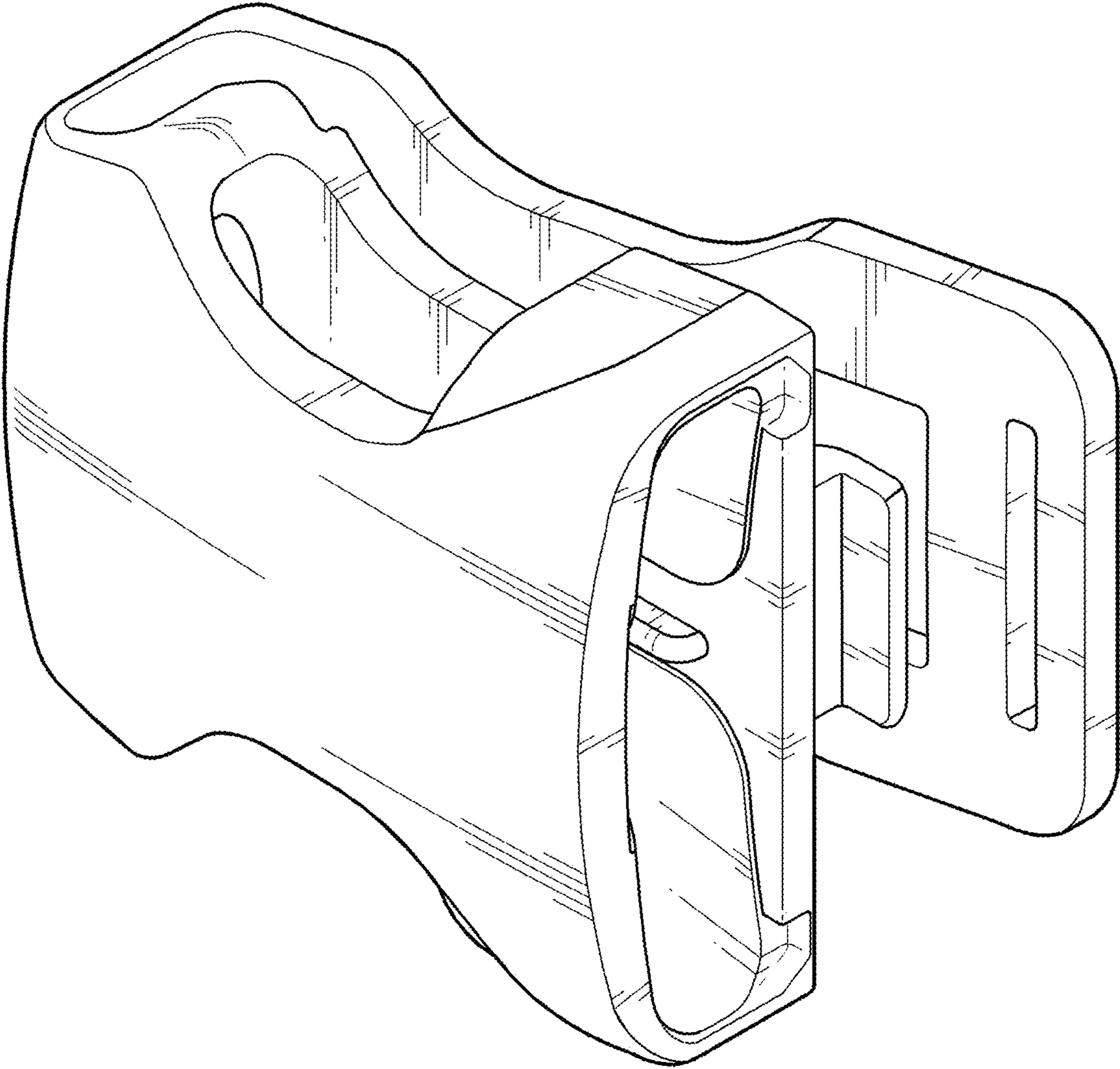


FIG. 1

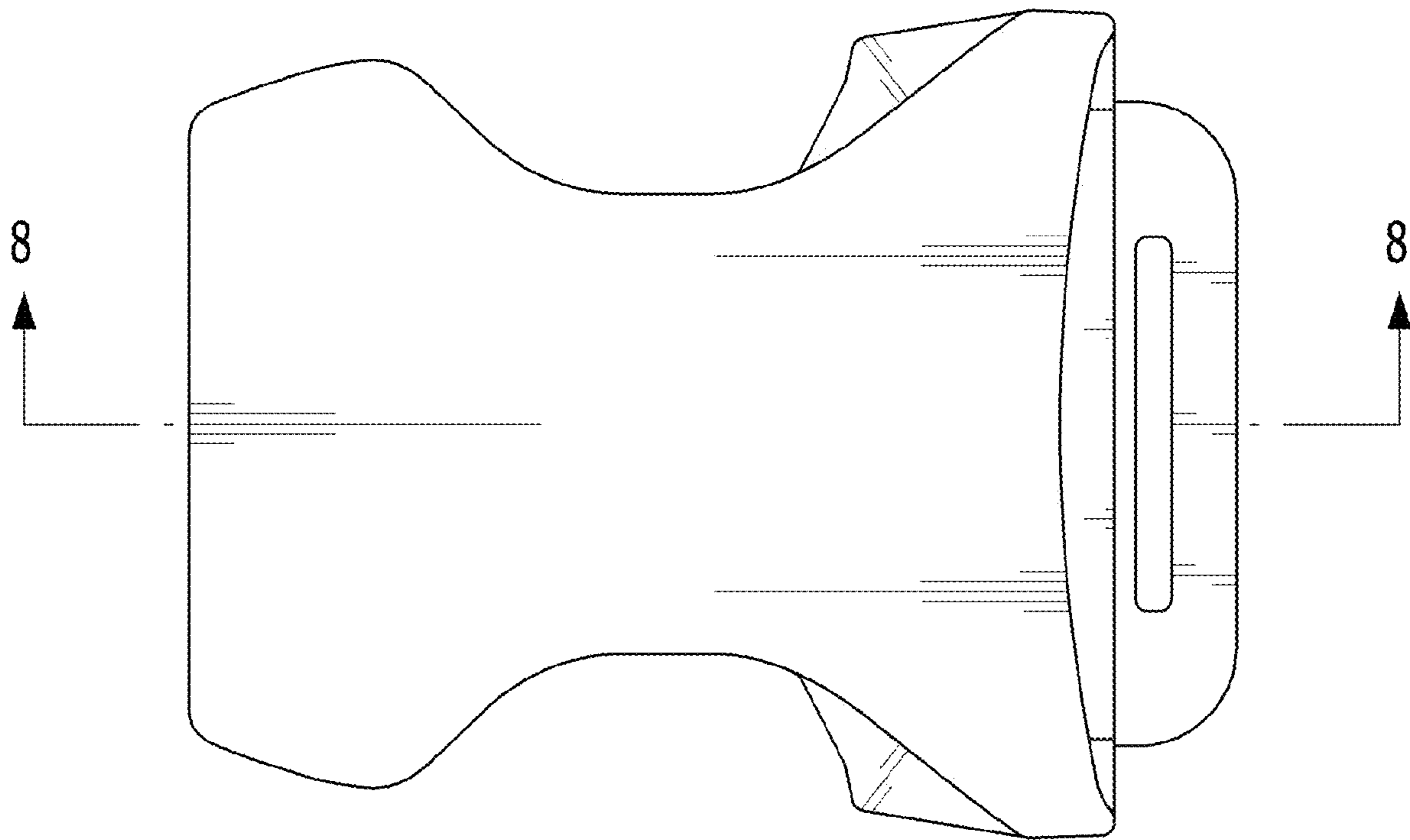


FIG. 2

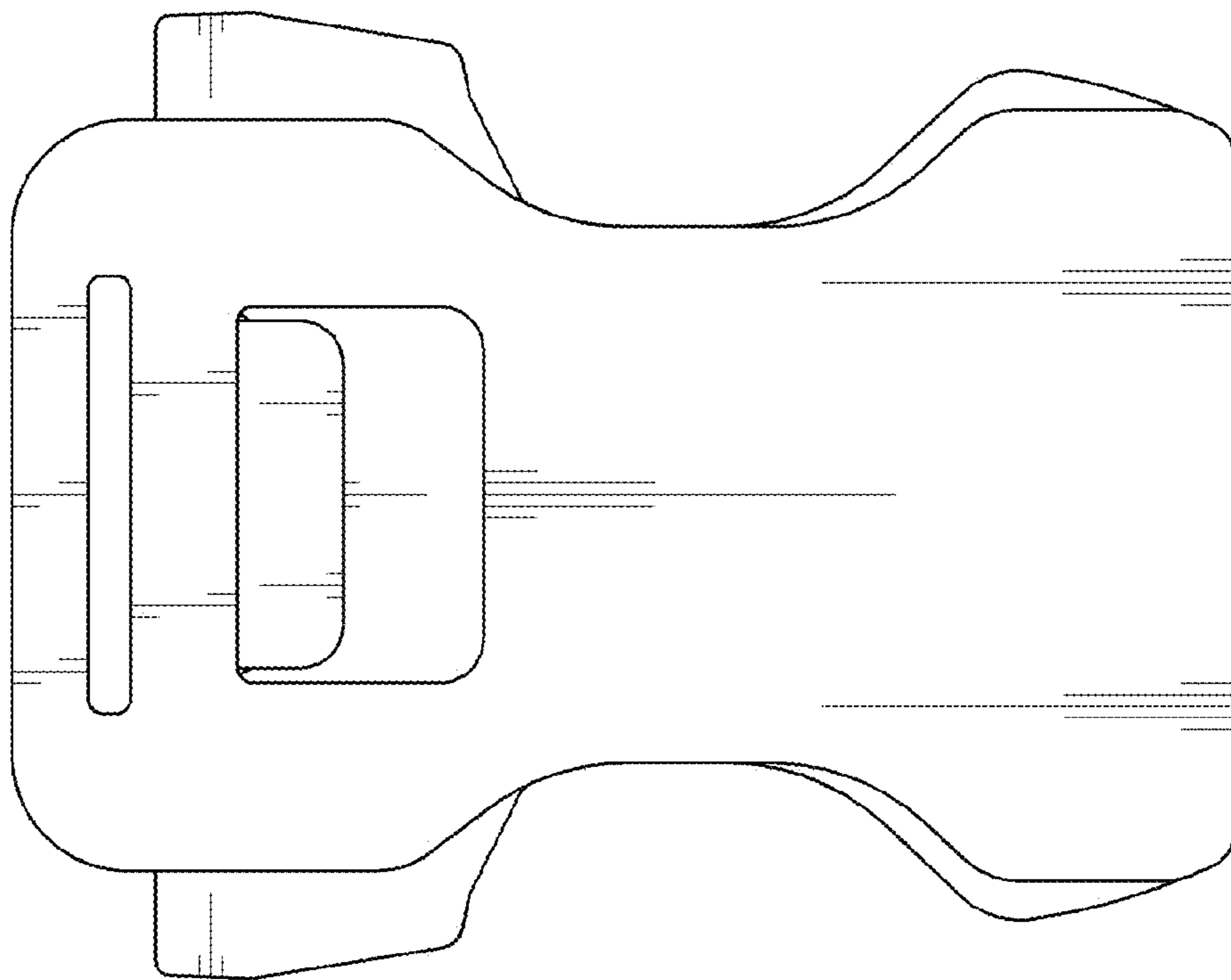


FIG. 3

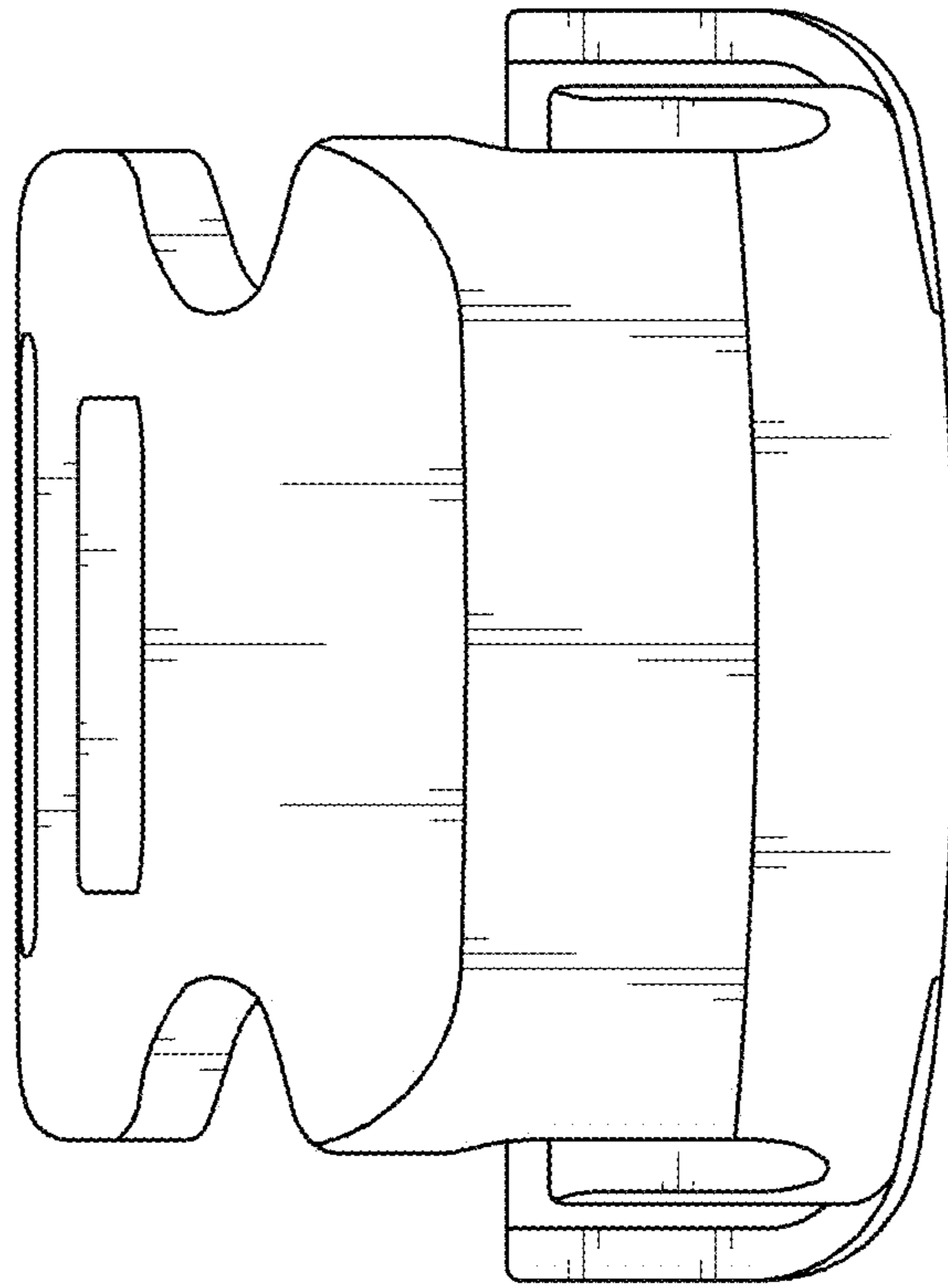


FIG. 4

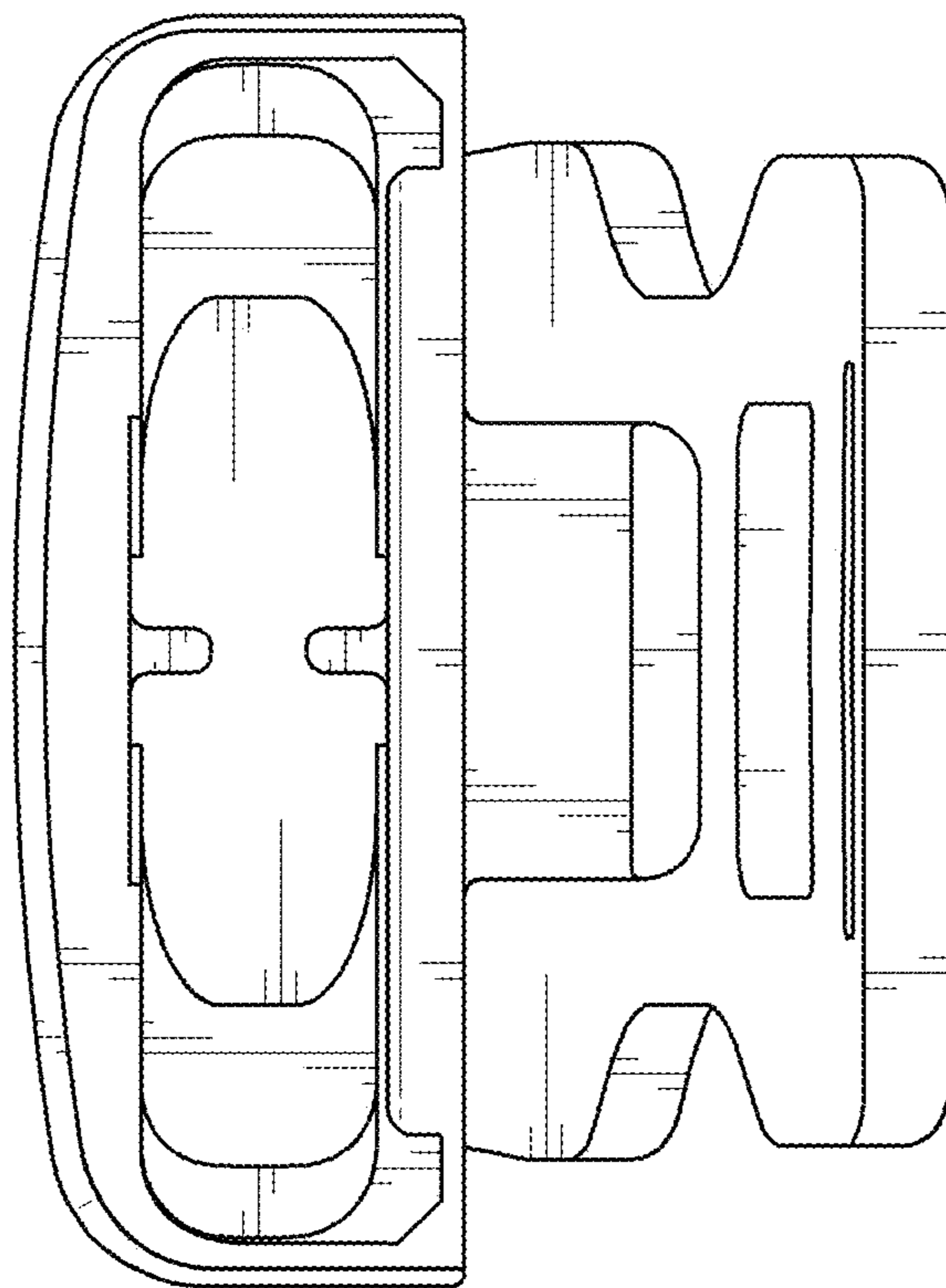


FIG. 5

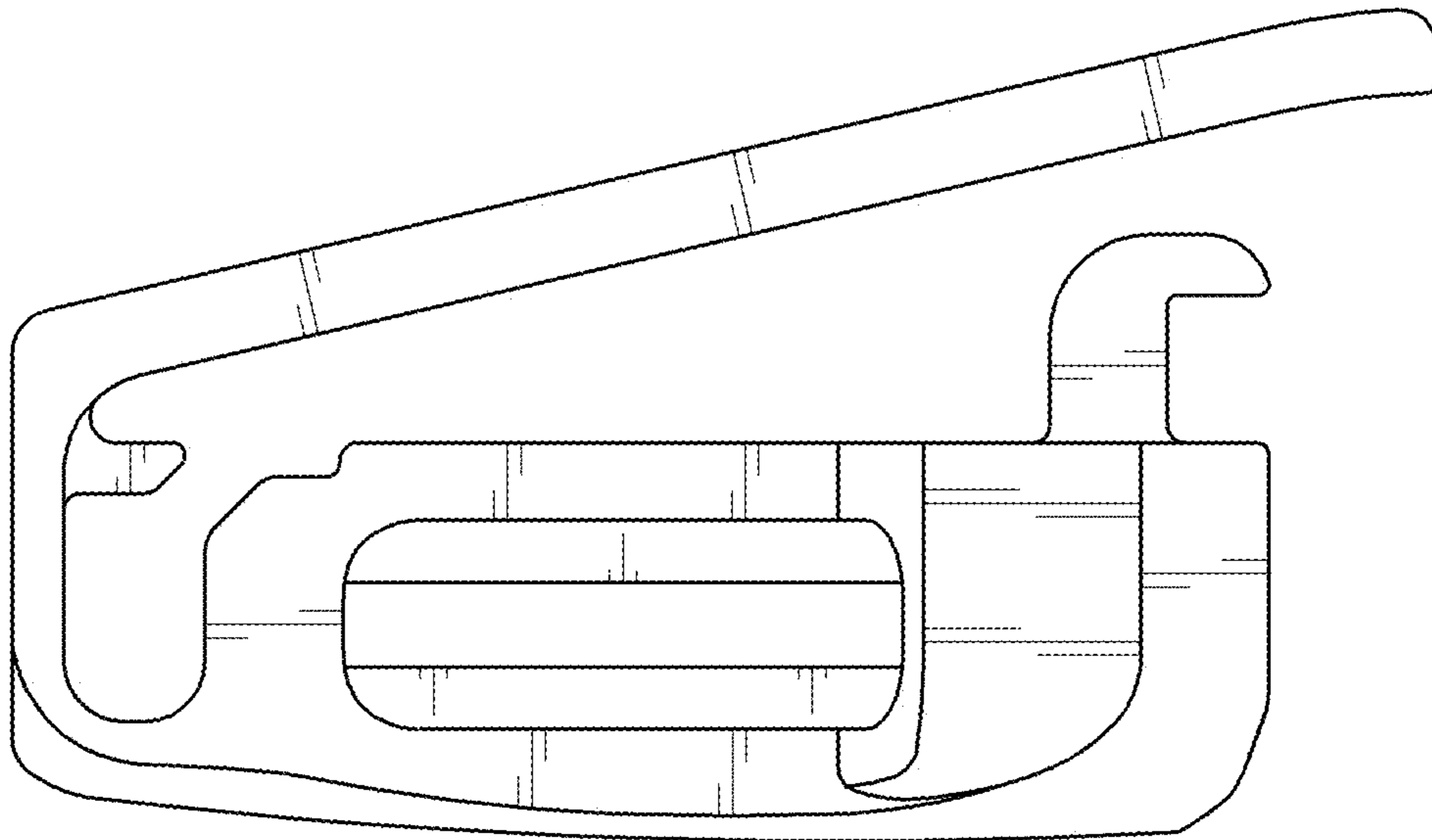


FIG. 6

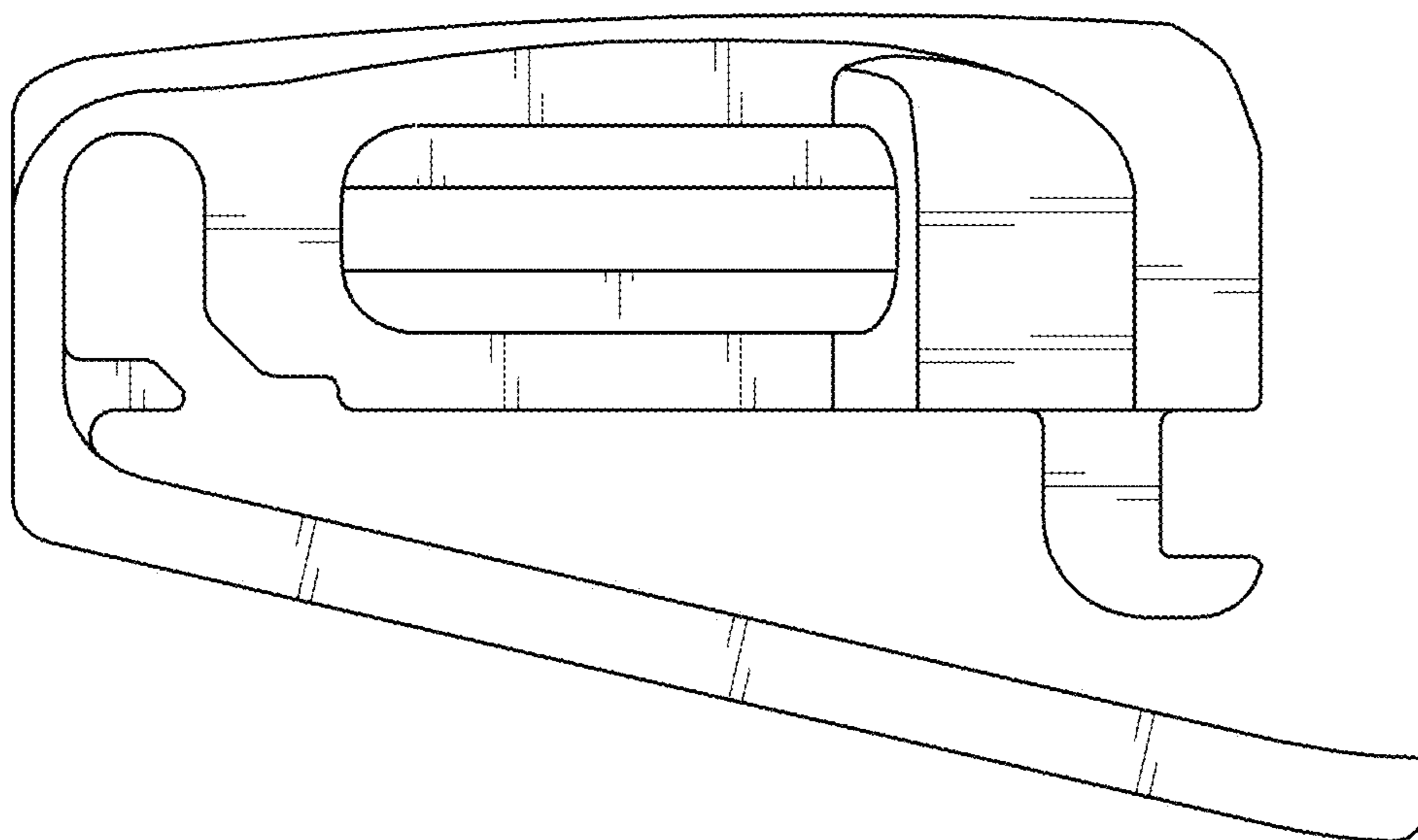


FIG. 7

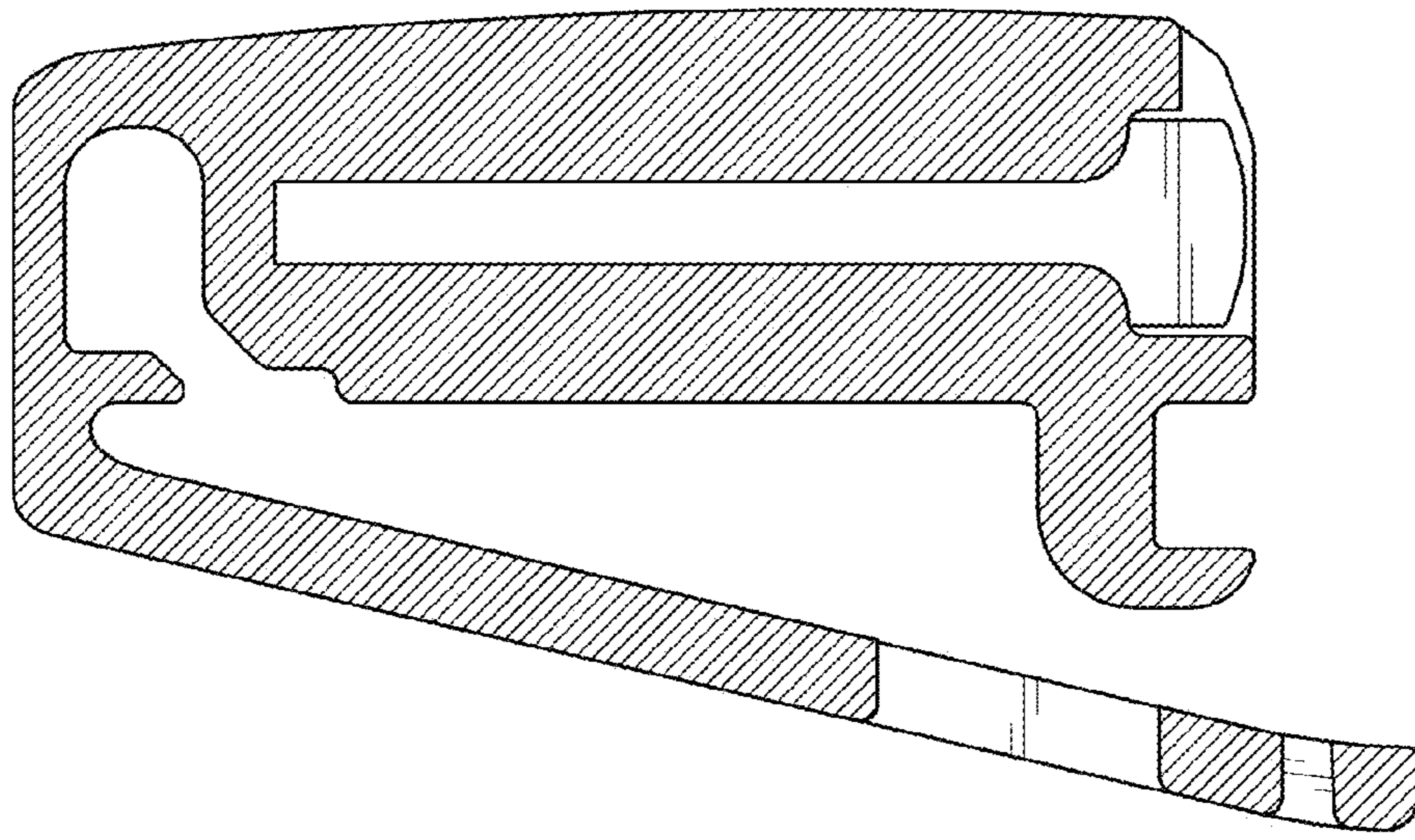


FIG. 8

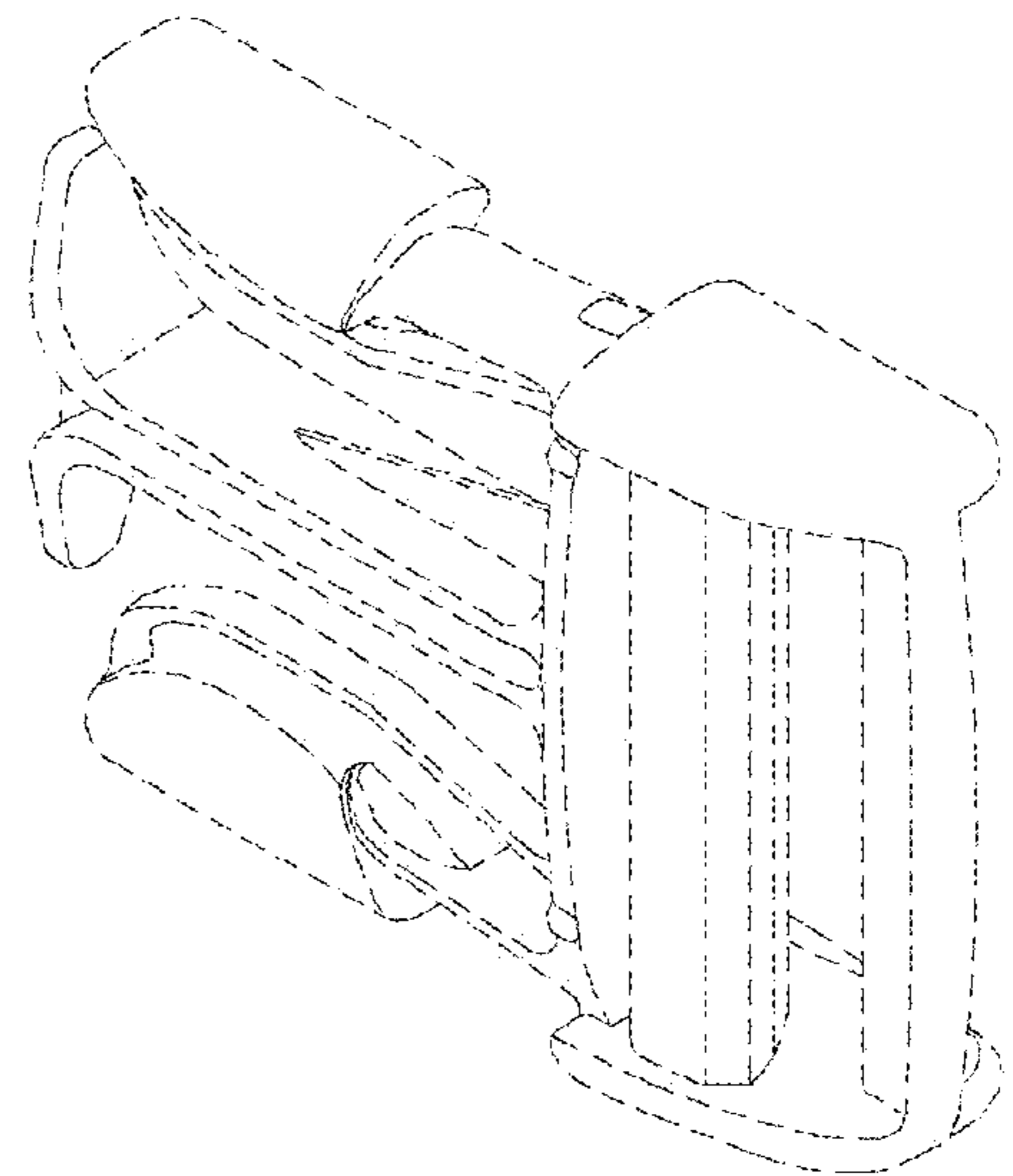
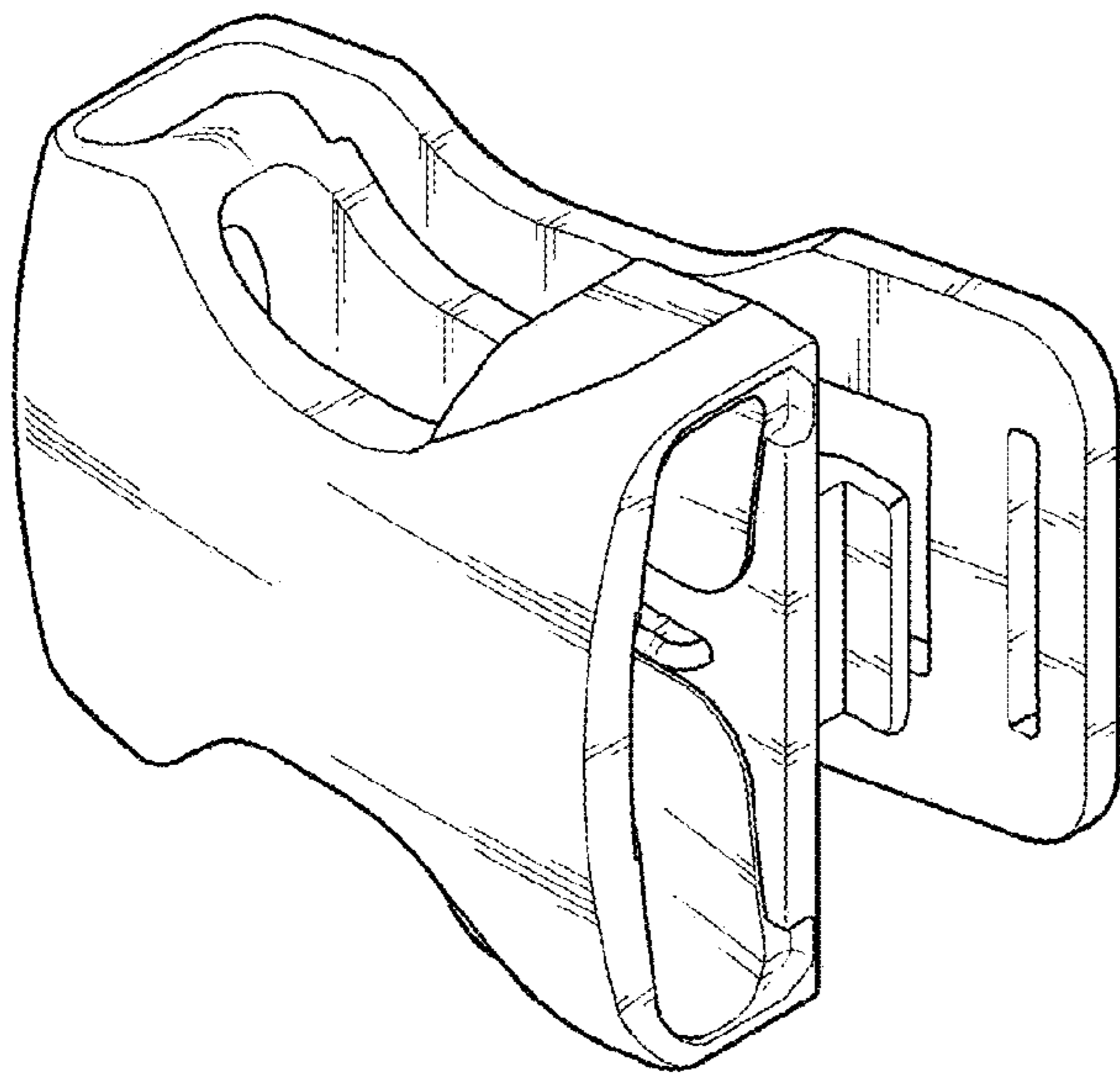


FIG. 9

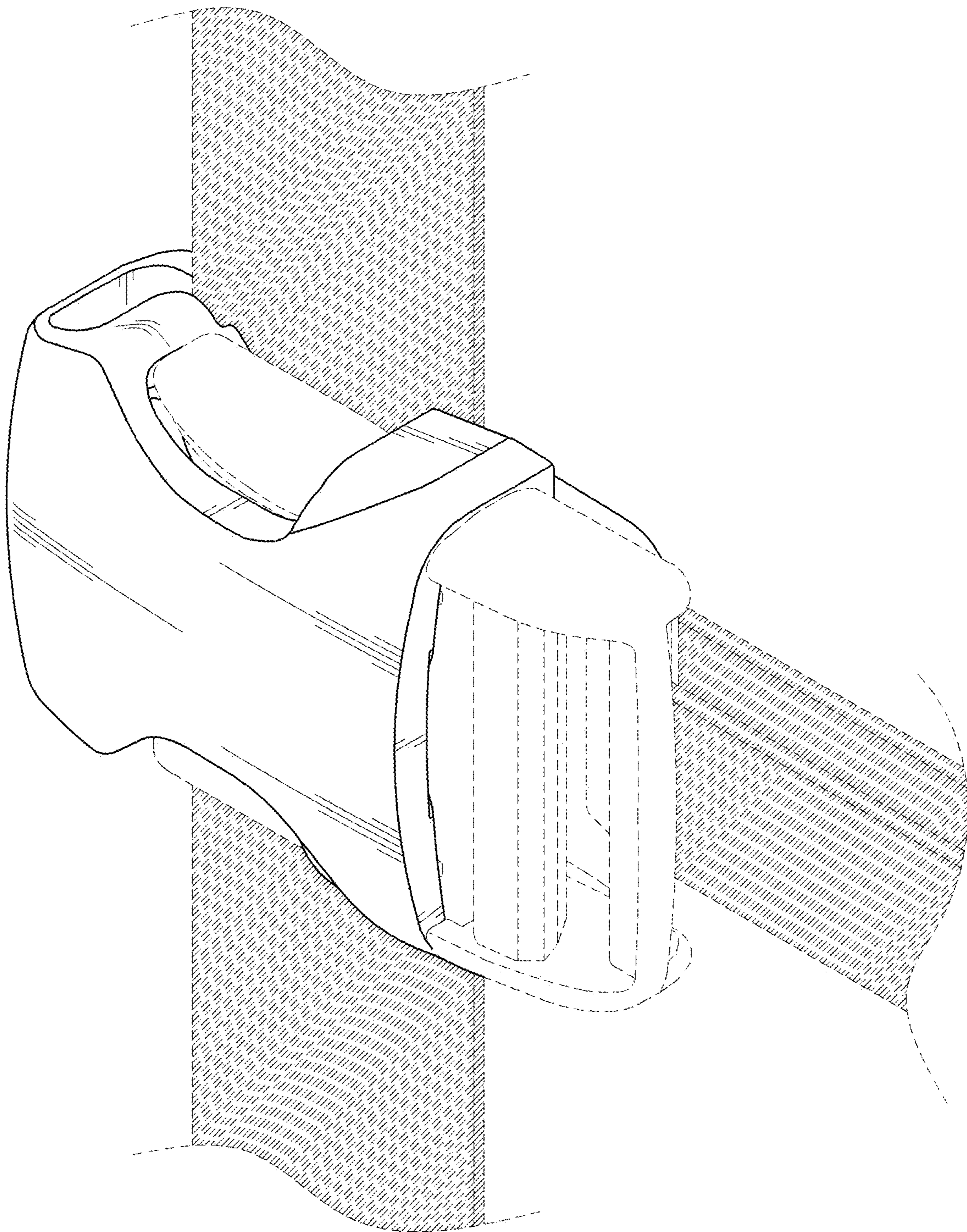


FIG. 10