

US00D931138S

(12) **United States Design Patent**
Barness et al.

(10) **Patent No.:** **US D931,138 S**

(45) **Date of Patent:** **** Sep. 21, 2021**

(54) **PLANTER**
(71) Applicant: **Vertical Field Ltd**, Hod Hasharon (IL)
(72) Inventors: **Guy Barness**, Hod Hasharon (IL);
Enrique Mindal, Rishon Le-Zion (IL)
(73) Assignee: **VERTICAL FIELD LTD.**, Hod Hasharon (IL)
(**) Term: **15 Years**
(21) Appl. No.: **29/719,735**
(22) Filed: **Jan. 7, 2020**

D415,656 S * 10/1999 Henry D7/354
6,209,260 B1 * 4/2001 Surette A01G 9/02
47/65.5
6,837,002 B2 * 1/2005 Costa A01G 9/047
47/60
D547,570 S * 7/2007 Belokin D6/705.7
D614,992 S * 5/2010 DiPaolo D11/156
D663,525 S * 7/2012 Rhoades D3/314
D762,387 S * 8/2016 Green D3/304
D769,642 S * 10/2016 Holton D6/552
D769,643 S * 10/2016 Holton D6/553
D794,958 S * 8/2017 Reinhart D3/307
D832,577 S * 11/2018 Ogilvie D3/304
D834,315 S * 11/2018 Reinhart D3/312

(Continued)

(30) **Foreign Application Priority Data**
Jul. 10, 2019 (IL) 63911
(51) **LOC (13) Cl.** **11-02**
(52) **U.S. Cl.**
USPC **D11/156**
(58) **Field of Classification Search**
USPC D11/143-156, 164; D3/304; D7/560,
D7/561, 562, 586, 587
CPC A01G 9/02; A01G 9/021; A01G 9/022;
A01G 9/04; A01G 27/003; A01G 27/005;
A01G 27/008; A01G 31/02; A01G 9/047;
A47G 7/00; A47G 7/02; A47G 7/06;
A47G 7/08
See application file for complete search history.

FOREIGN PATENT DOCUMENTS

GB 8207770000 * 1/2020

Primary Examiner — Elizabeth A. Albert
(74) *Attorney, Agent, or Firm* — Roach Brown McCarthy & Gruber; Kevin D. McCarthy

(57) **CLAIM**

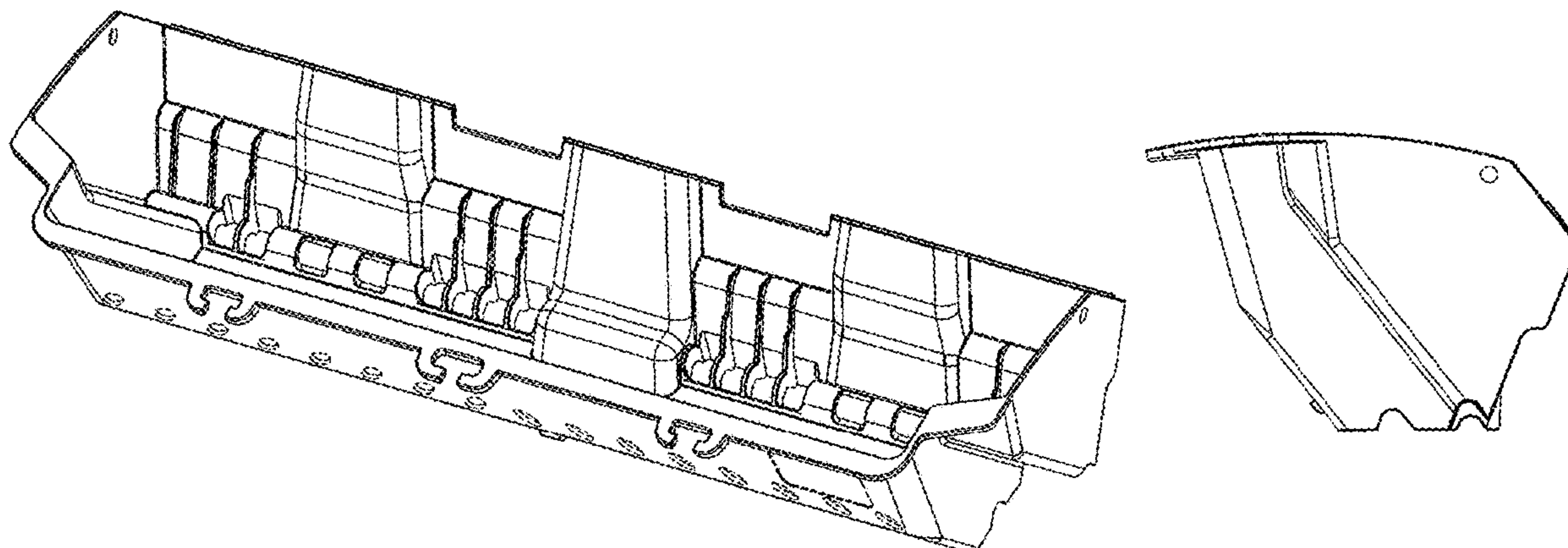
The ornamental design for a planter, as shown and described.

DESCRIPTION

FIG. 1 shows a front, top, right-side perspective view of the planter of the applicant's design.
FIG. 2 is a rear, top, left-side perspective view of the planter.
FIG. 3 shows a front view thereof.
FIG. 4 shows a rear view thereof.
FIG. 5 shows a right view thereof.
FIG. 6 shows a left view thereof.
FIG. 7 shows a top view thereof; and,
FIG. 8 shows a bottom view thereof.
The broken lines in FIGS. 1-4 and 7-8 represent portions of the planter for the purpose of illustrating environment and form no part of the claimed design.

1 Claim, 8 Drawing Sheets

(56) **References Cited**
U.S. PATENT DOCUMENTS
D262,443 S * 12/1981 Ham, Jr. D11/156
D274,967 S * 8/1984 Taylor D3/304
D305,841 S * 2/1990 MacQueen D3/304
D359,013 S * 6/1995 Carlson D11/156
D385,507 S * 10/1997 Hulsebus D11/156
D393,605 S * 4/1998 Dallaire D11/156
D403,268 S * 12/1998 Dignam D11/156



(56)

References Cited

U.S. PATENT DOCUMENTS

D875,397 S * 2/2020 Kovach D3/304
D904,030 S * 12/2020 Piccininni D3/304
2011/0290803 A1* 12/2011 Kehres E04G 21/005
220/475
2018/0009101 A1* 1/2018 Piccininni B62B 3/16

* cited by examiner

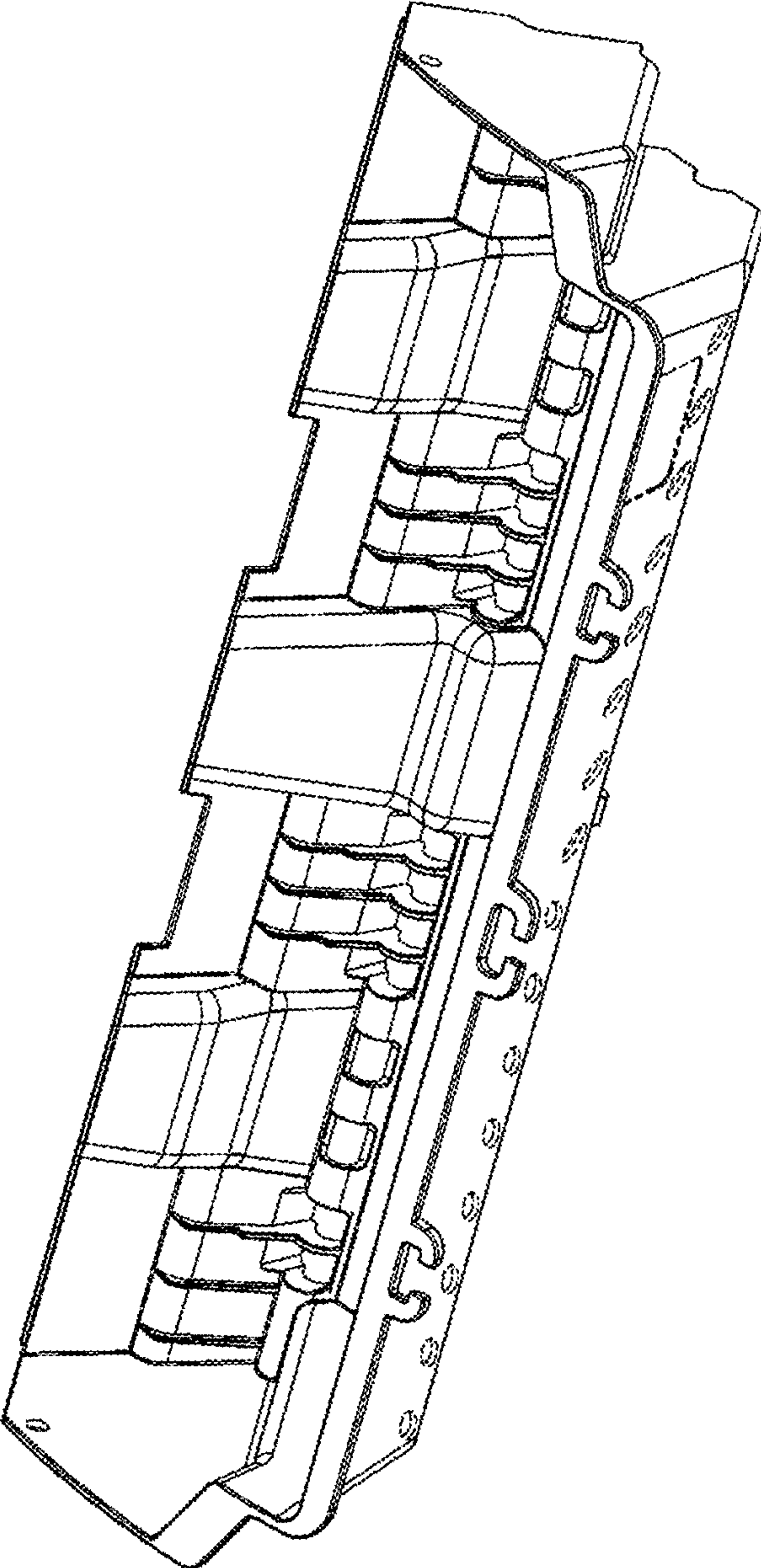


Fig. 1

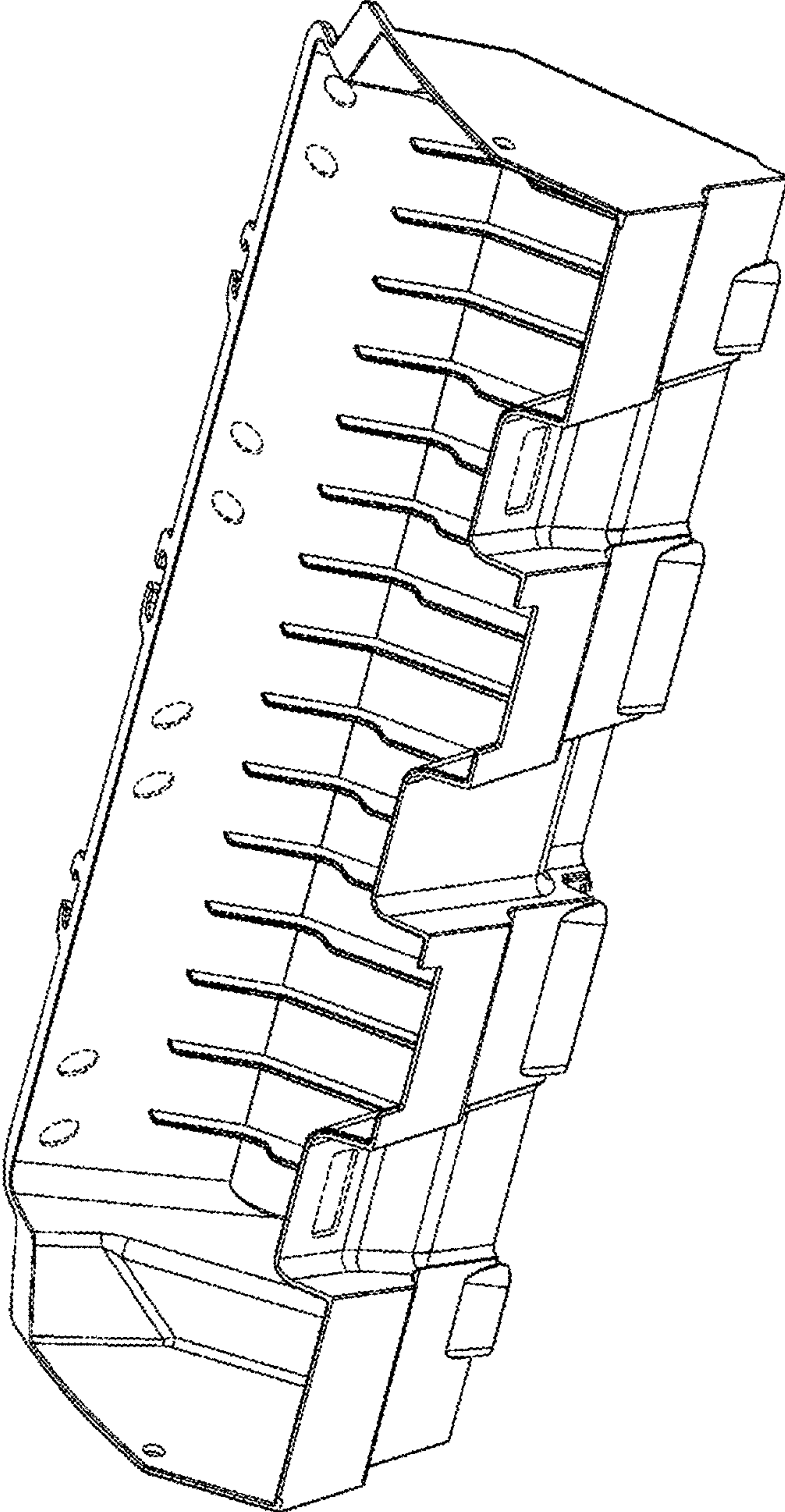


Fig. 2

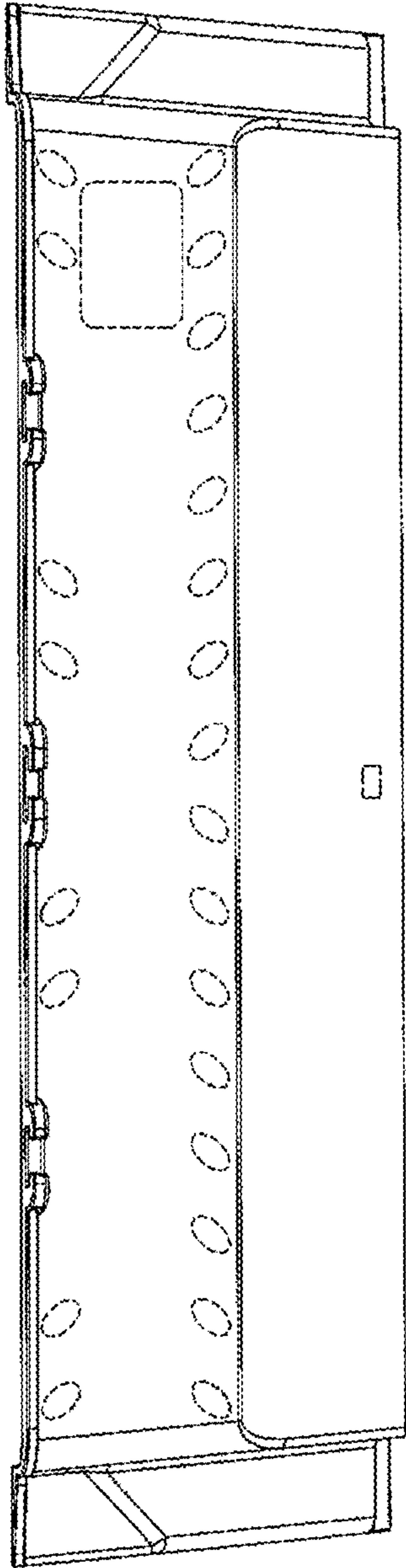


Fig. 3

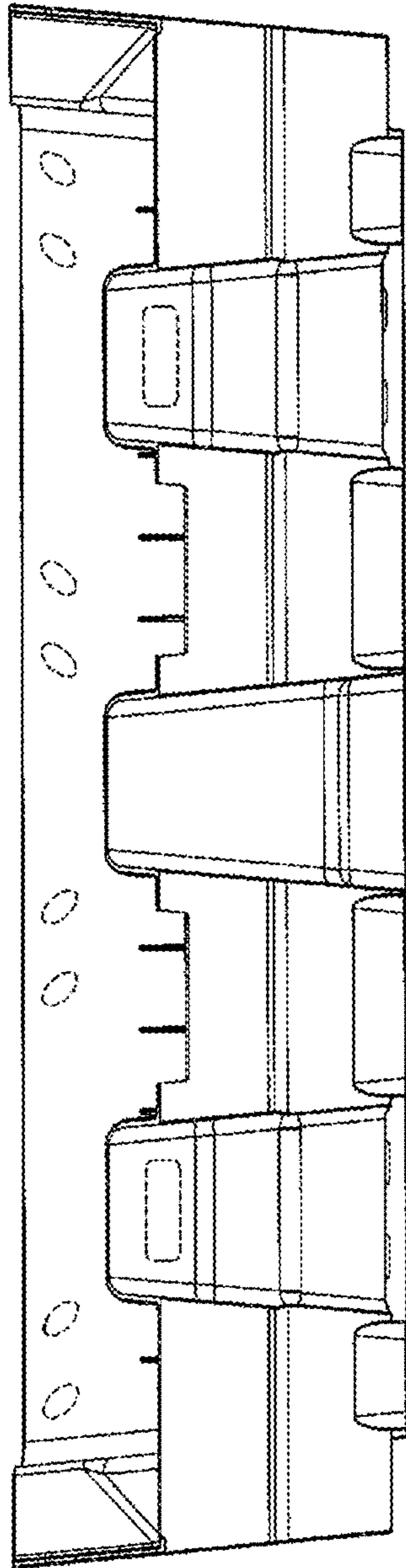


Fig. 4

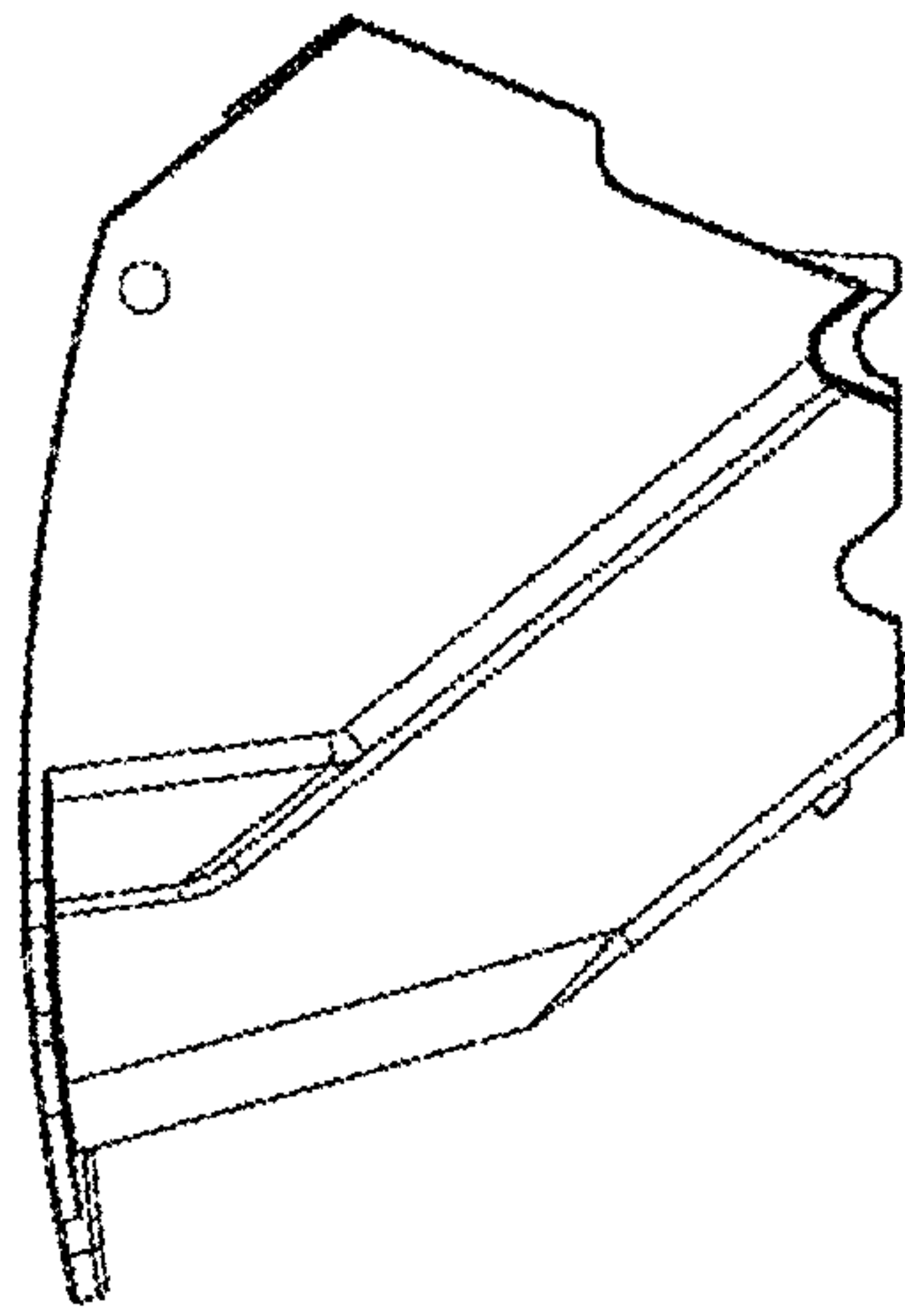


Fig. 5

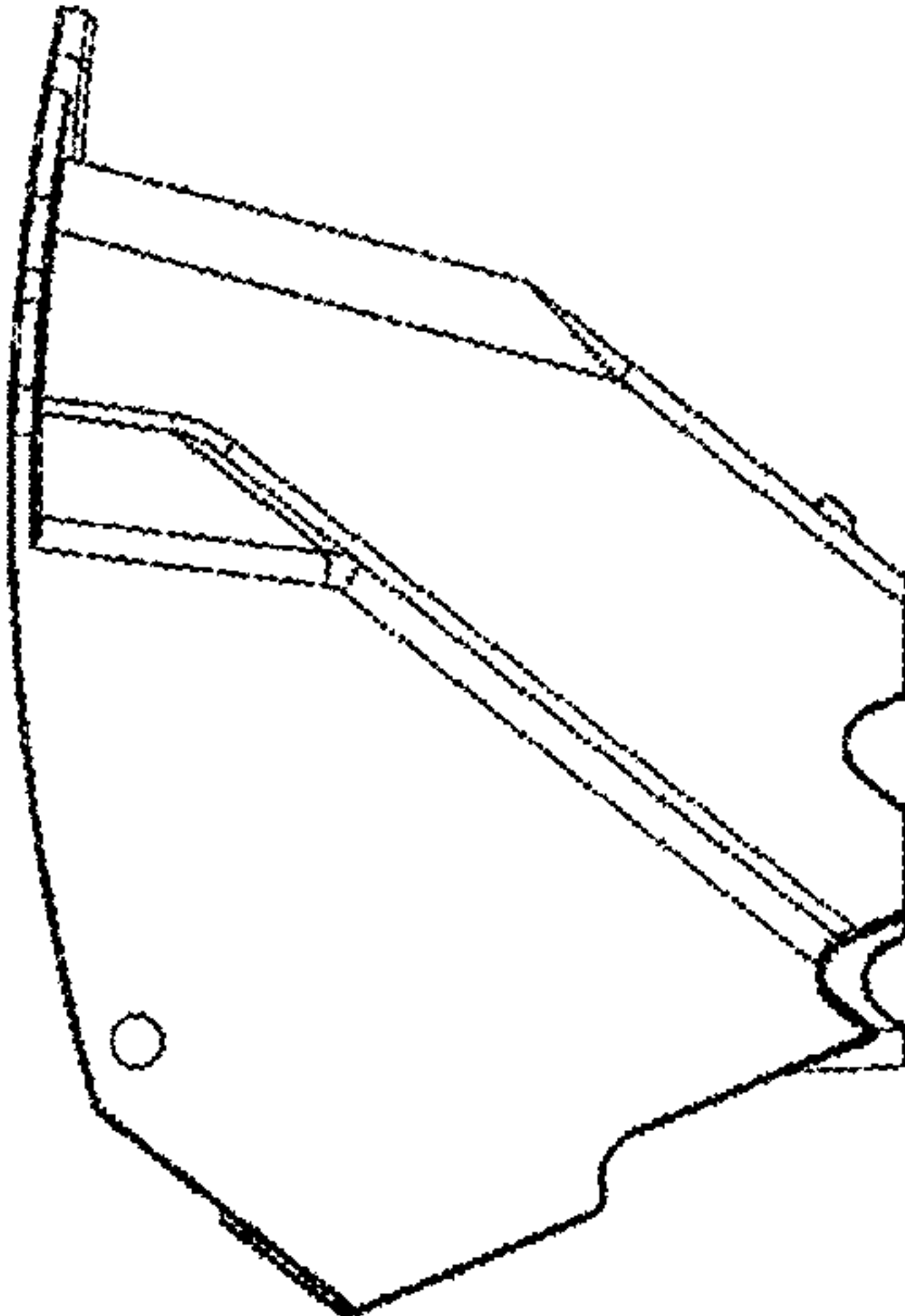


Fig. 6

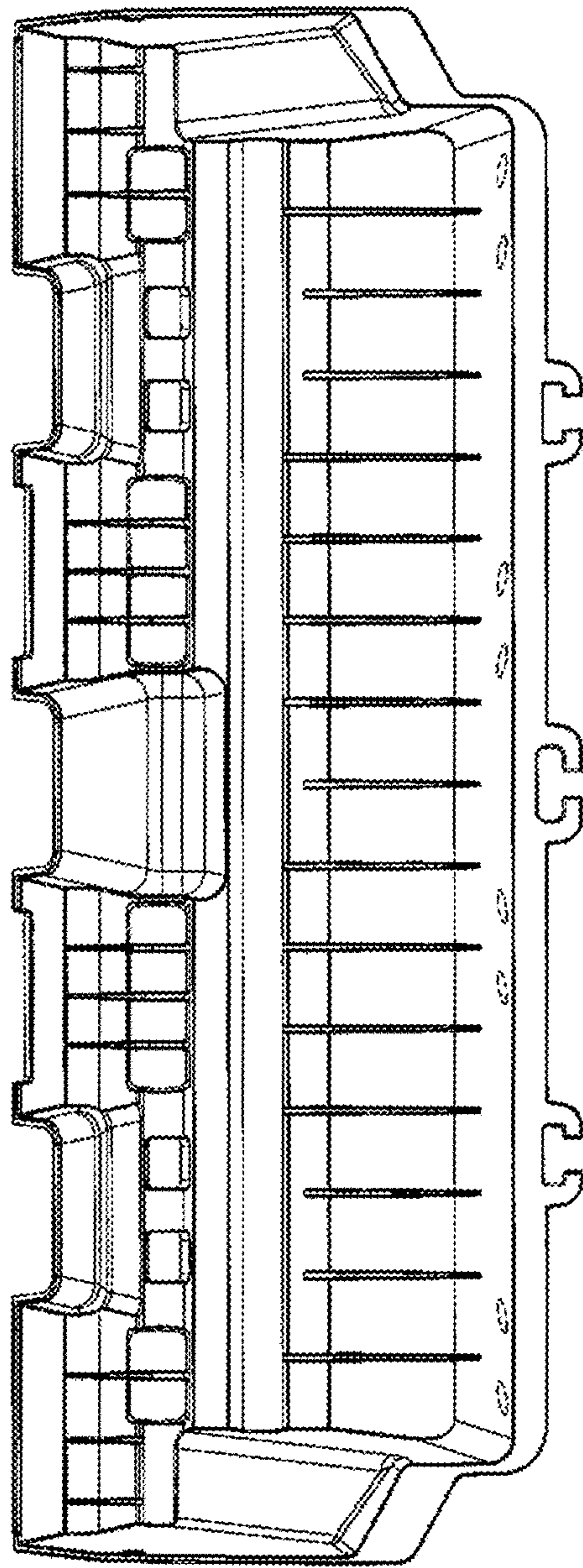


Fig. 7

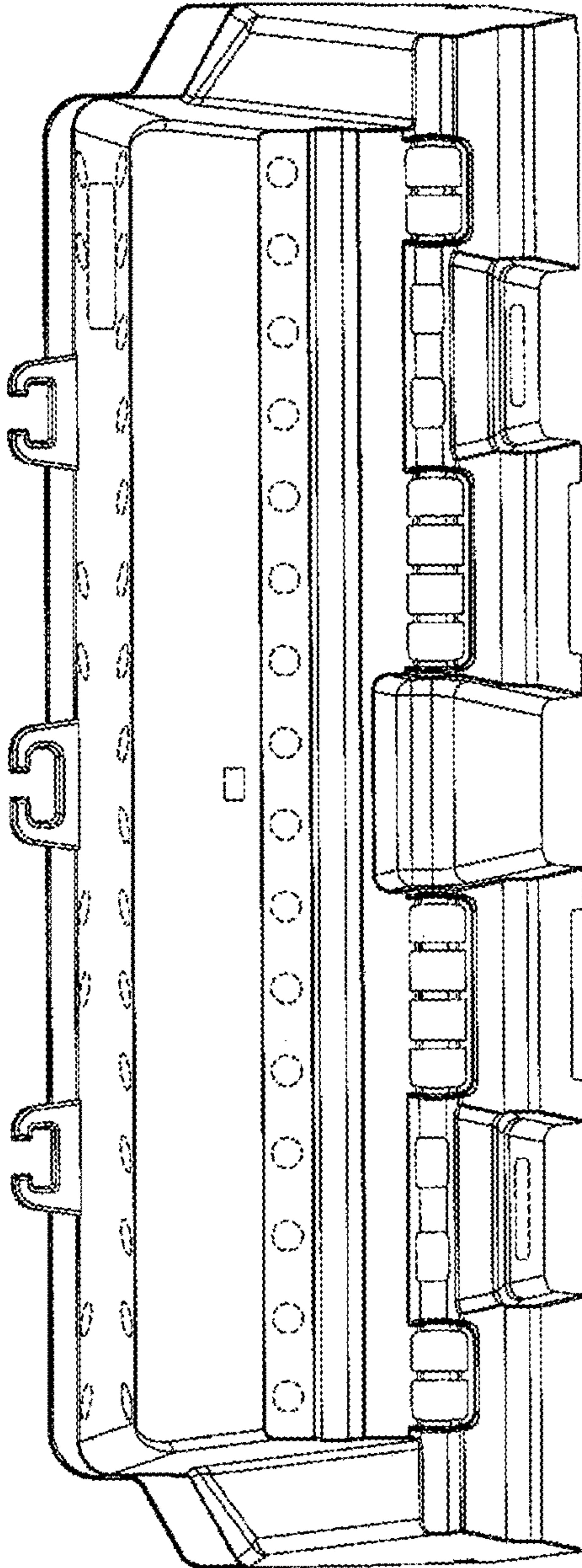


Fig. 8