



US00D931129S

(12) **United States Design Patent**
Ganzha

(10) **Patent No.:** **US D931,129 S**

(45) **Date of Patent:** **** Sep. 21, 2021**

(54) **WARNING SIGN**

(71) Applicant: **Dmitry Ganzha**, Vienna (AT)

(72) Inventor: **Dmitry Ganzha**, Vienna (AT)

(**) Term: **15 Years**

(21) Appl. No.: **35/509,015**

(22) Filed: **Feb. 12, 2020**

(80) **Hague Agreement Data**

Int. Filing Date: **Feb. 12, 2020**

Int. Reg. No.: **DM/206890**

Int. Reg. Date: **Feb. 12, 2020**

Int. Reg. Pub. Date: **Apr. 10, 2020**

(30) **Foreign Application Priority Data**

Sep. 26, 2019 (EM) 006929030

(51) **LOC (13) Cl.** **10-05**

(52) **U.S. Cl.**
USPC **D10/113.4**

(58) **Field of Classification Search**

USPC D10/113.4, 109.1, 111

See application file for complete search history.

(56) **References Cited**

U.S. PATENT DOCUMENTS

D323,303 S * 1/1992 Johansson D10/111
D409,515 S * 5/1999 Chen D10/113.4
D446,465 S * 8/2001 Slood D10/113.4

D507,502 S * 7/2005 Willnow D10/113.4
D544,804 S * 6/2007 Chen D10/113.4
D557,625 S * 12/2007 Yu D10/113.4
D558,627 S * 1/2008 Bowers D10/113.4
D793,890 S * 8/2017 Hong D10/113.4

* cited by examiner

Primary Examiner — George D. Kirschbaum

(74) *Attorney, Agent, or Firm* — Cesari and McKenna, LLP

(57) **CLAIM**

The ornamental design for warning sign, as shown and described.

DESCRIPTION

1. Warning sign

Figure 1.1 is a top view of a warning sign in an open configuration;

Figure 1.2. is a bottom view of a warning sign in an open configuration;

Figure 1.3. is a side view of a warning sign in an open configuration;

Figure 1.4. is a top view of a warning sign in a closed configuration;

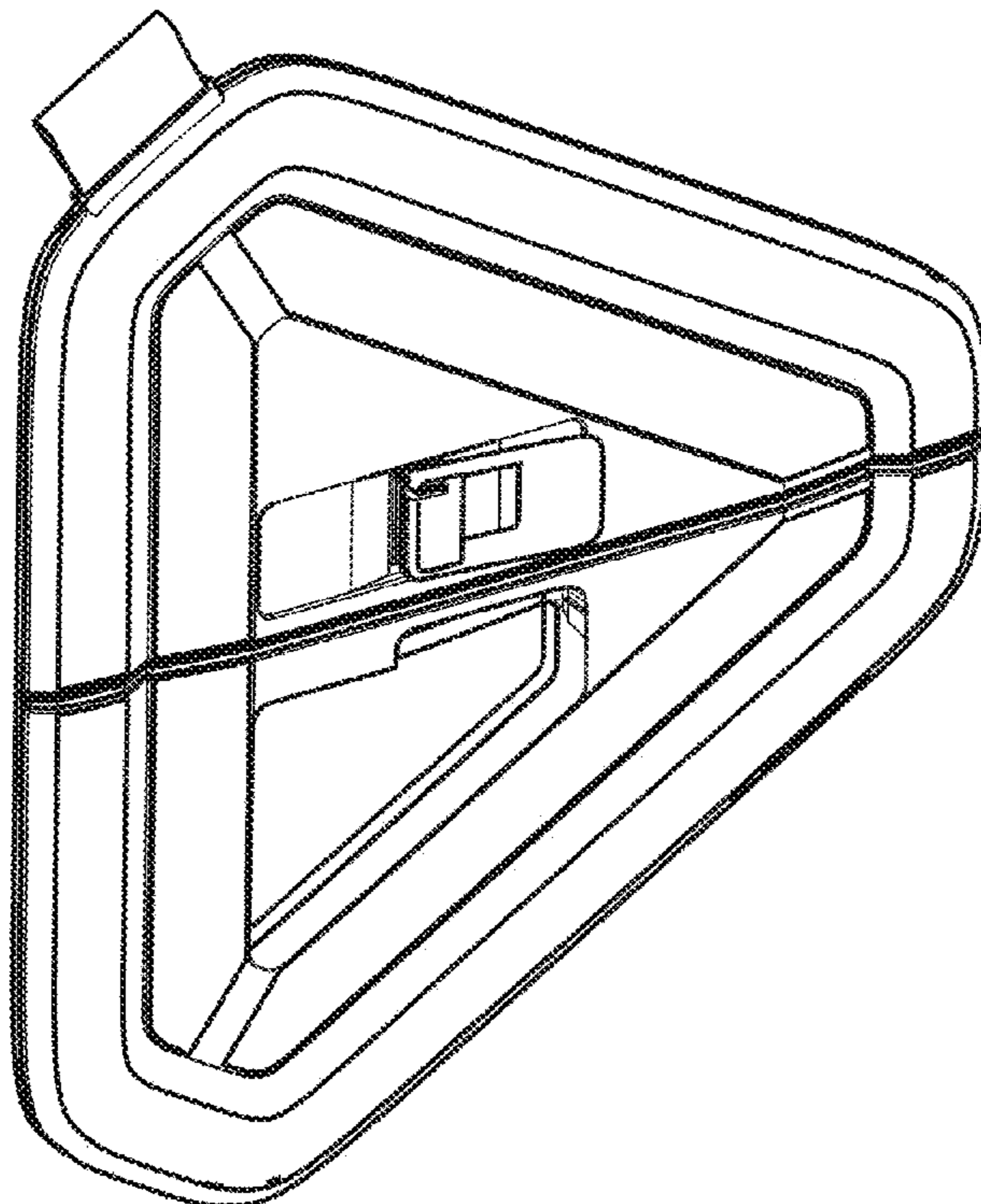
Figure 1.5. is a bottom view of a warning sign in a closed configuration;

Figure 1.6. is a side view of a warning sign in a closed configuration;

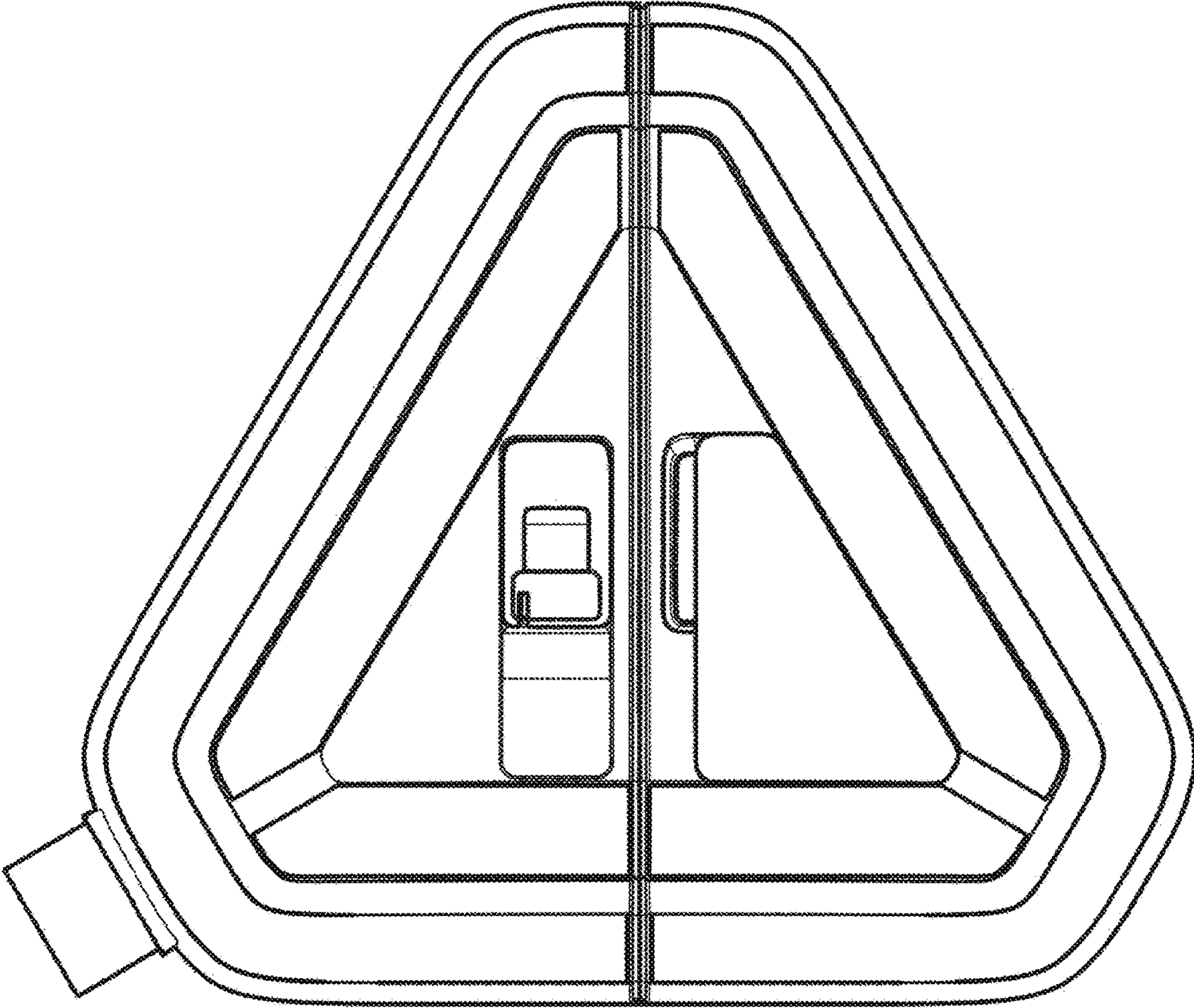
Figure 1.7. is a side view of a warning sign in a closed configuration; and

Figure 3.0 is a perspective view of a warning sign in an open configuration.

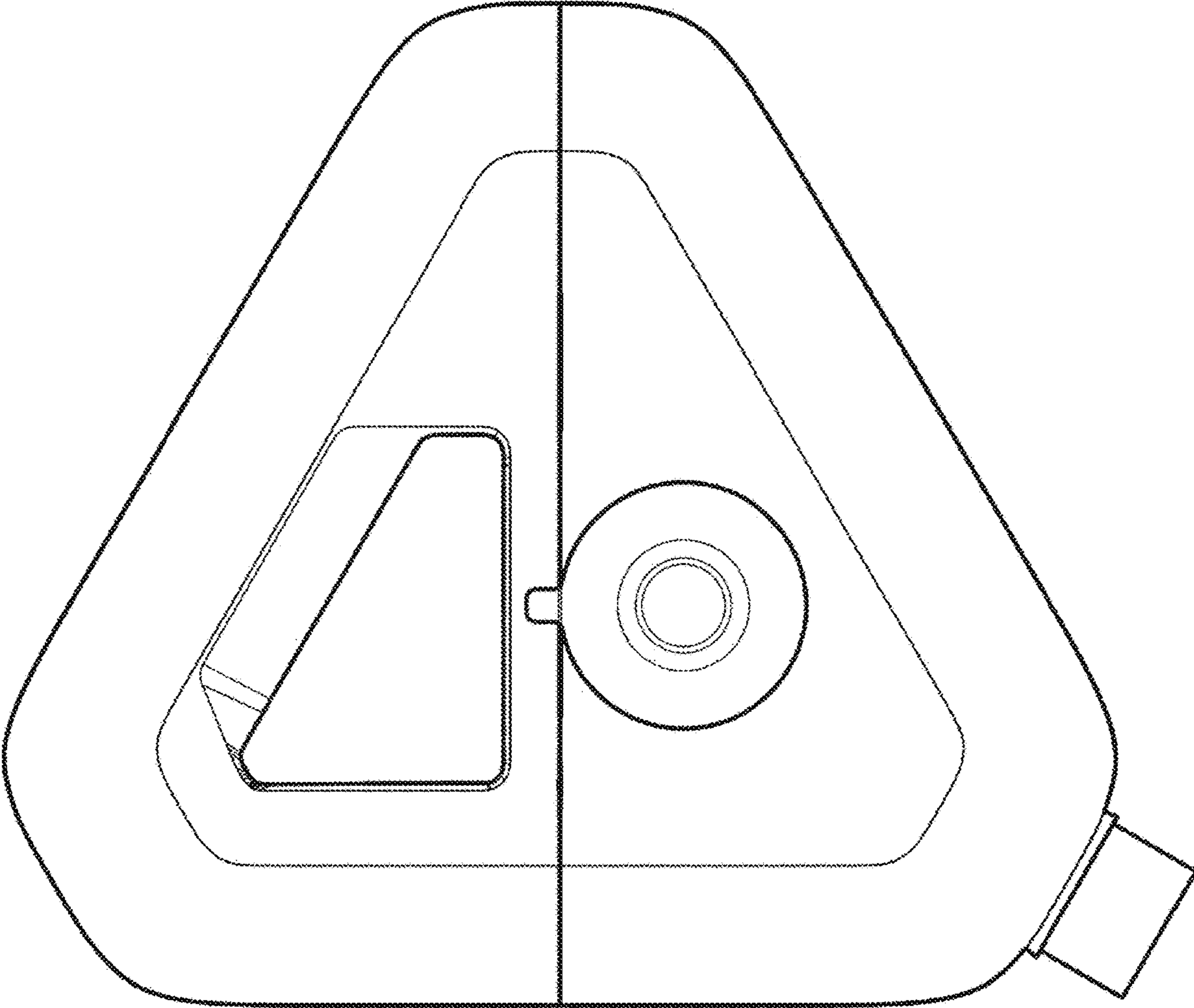
1 Claim, 8 Drawing Sheets



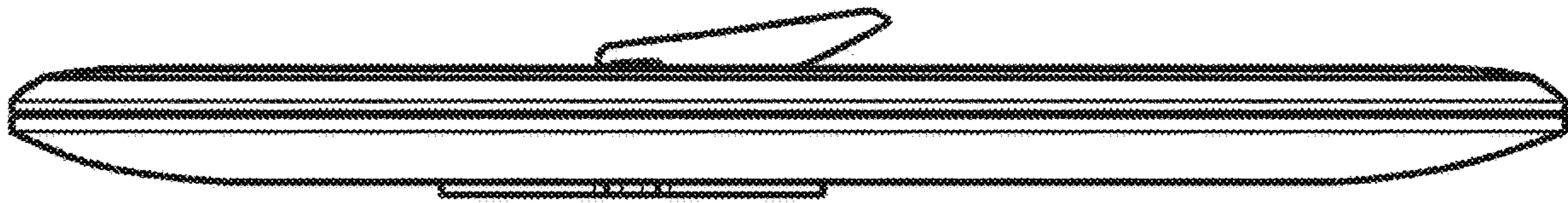
1.1



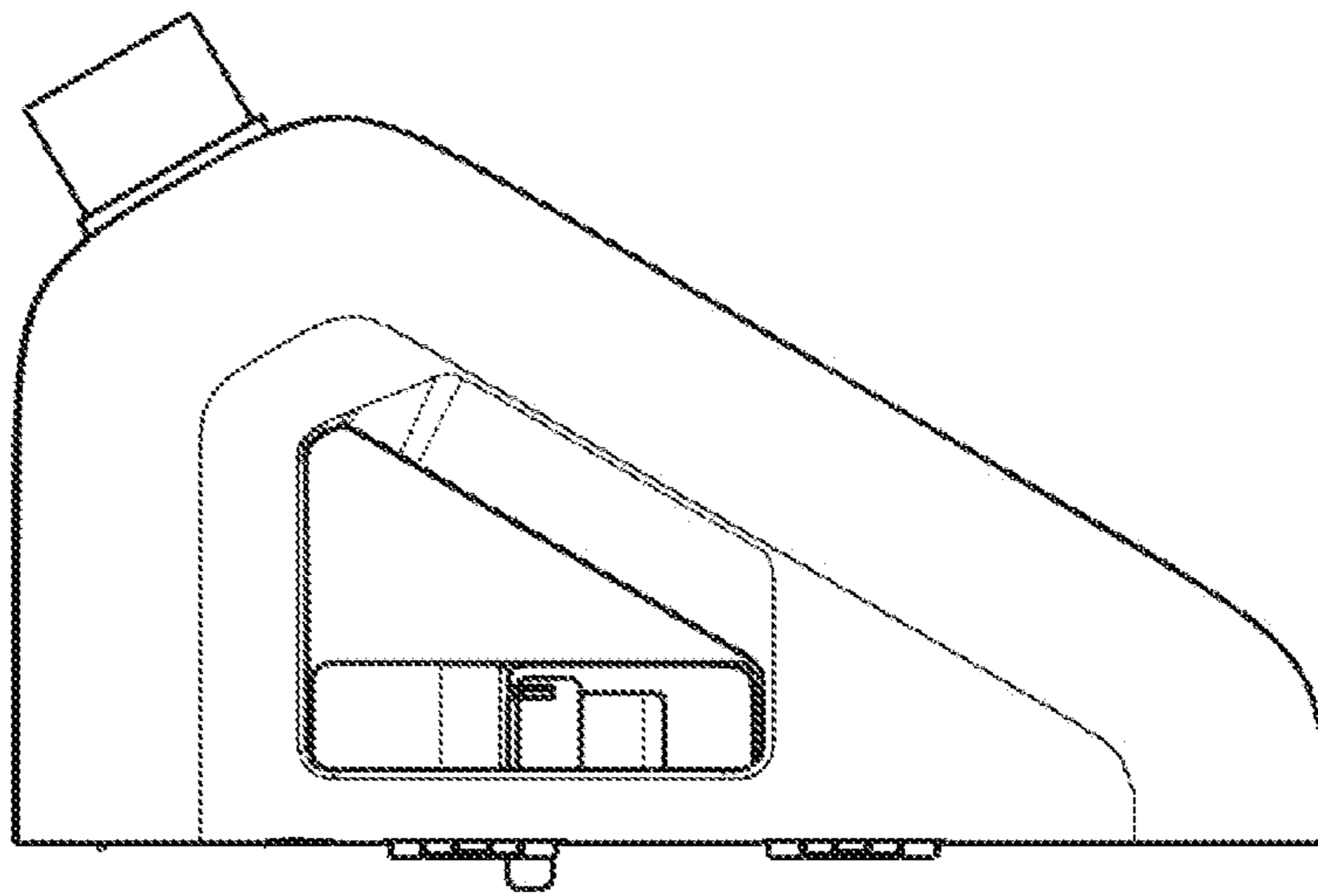
1.2



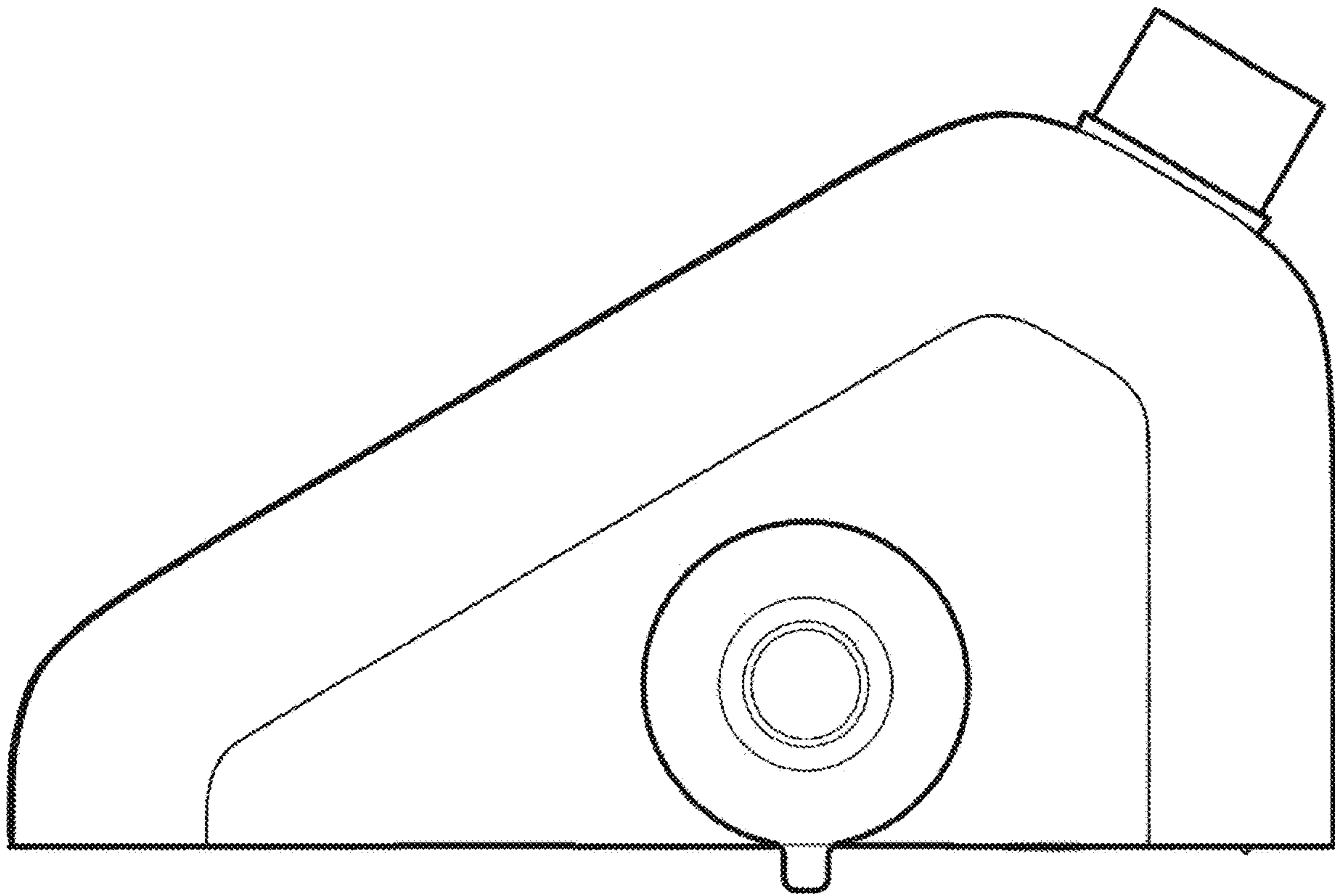
1.3



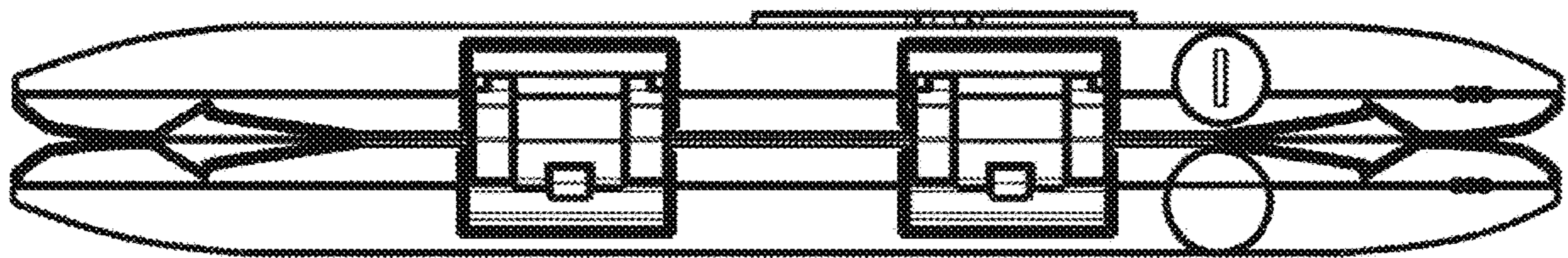
1.4



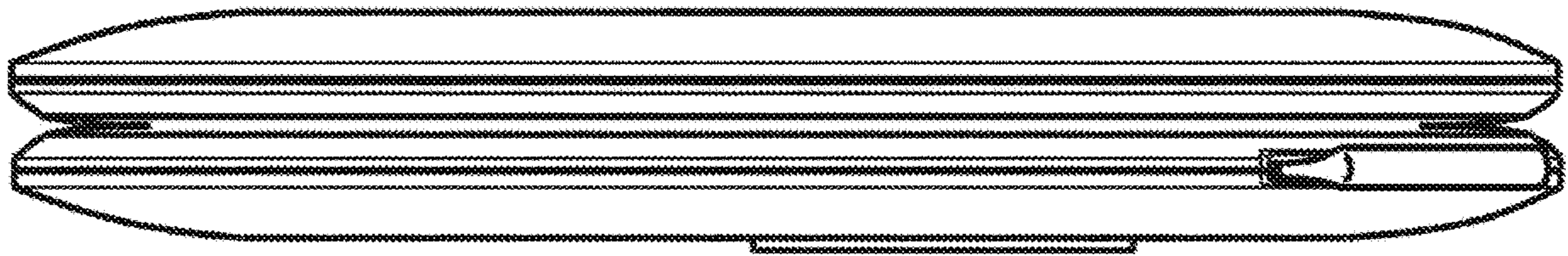
1.5



1.6



1.7



3.0

