



US00D931126S

(12) **United States Design Patent** (10) **Patent No.:** **US D931,126 S**  
**Jones, II et al.** (45) **Date of Patent:** **\*\* Sep. 21, 2021**

(54) **SENSOR ARRAY ENCLOSURE**

(56) **References Cited**

(71) Applicant: **Woven Planet North America, Inc.**,  
Los Altos, CA (US)  
(72) Inventors: **Alfred Charles Jones, II**, San Jose, CA  
(US); **Eric Daniel Fields**, Oakland, CA  
(US); **Steve Chen**, Milpitas, CA (US);  
**David Bearl DeVore**, Daly City, CA  
(US); **Steven Son Khau**, Belmont, CA  
(US); **David Timothy Milton**, San  
Jose, CA (US)  
(73) Assignee: **Woven Planet North America, Inc.**,  
Los Altos, CA (US)

U.S. PATENT DOCUMENTS

D866,368 S	*	11/2019	Ahn	.....	D10/70
D874,956 S	*	2/2020	Ahn	.....	D10/70
D882,430 S	*	4/2020	Haban	.....	D10/70
D902,750 S	*	11/2020	Torres	.....	D10/39
D915,913 S	*	4/2021	Ahn	.....	D10/70

\* cited by examiner

*Primary Examiner* — Antoine Duval Davis

(74) *Attorney, Agent, or Firm* — Christopher G. Darrow;  
Darrow Mustafa PC

(\*\*) Term: **15 Years**

(57) **CLAIM**

The ornamental design for a sensor array enclosure, as shown and described.

(21) Appl. No.: **29/696,683**

**DESCRIPTION**

(22) Filed: **Jun. 28, 2019**

(51) **LOC (13) Cl.** ..... **10-04**

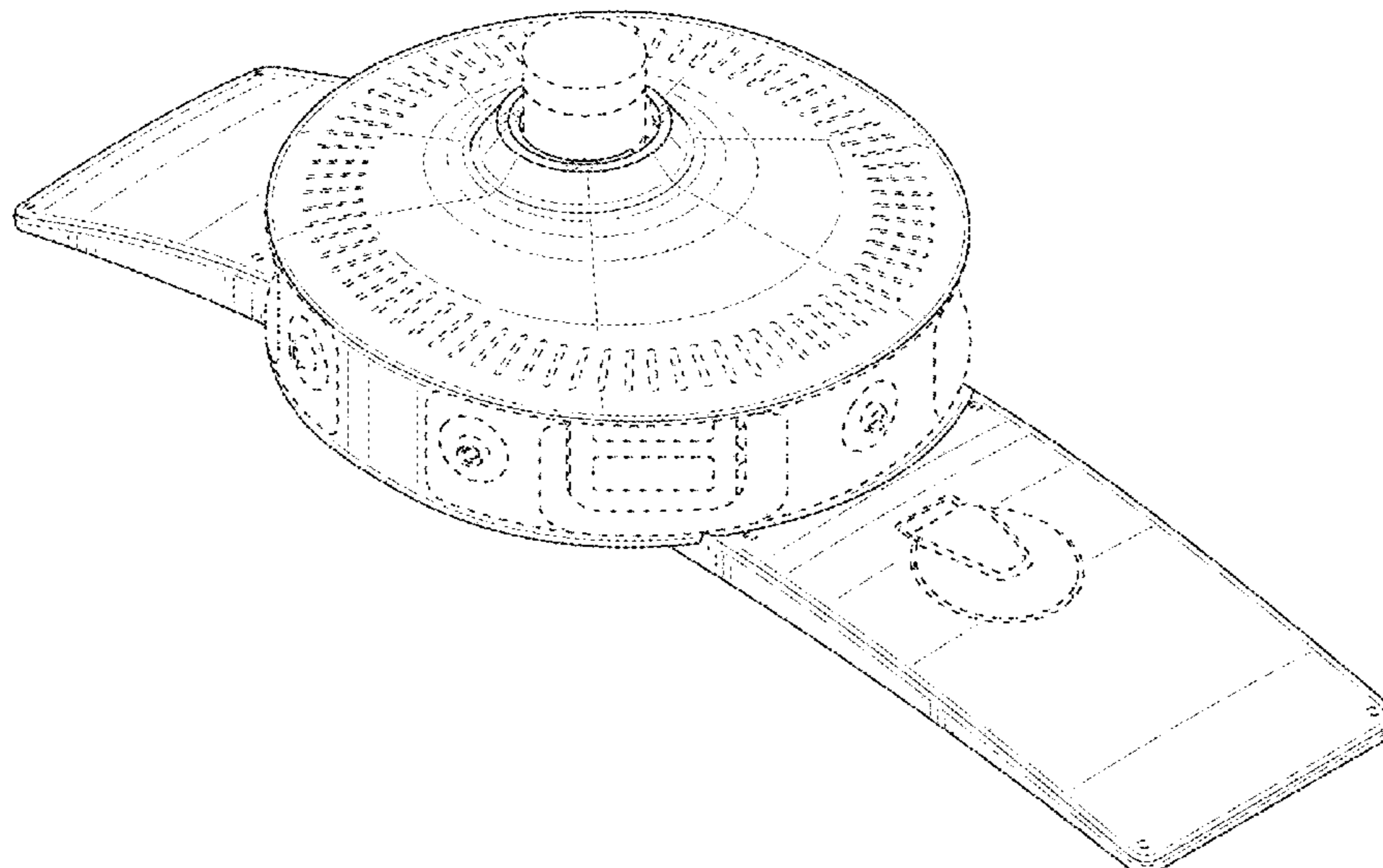
(52) **U.S. Cl.**  
USPC ..... **D10/70; D12/190**

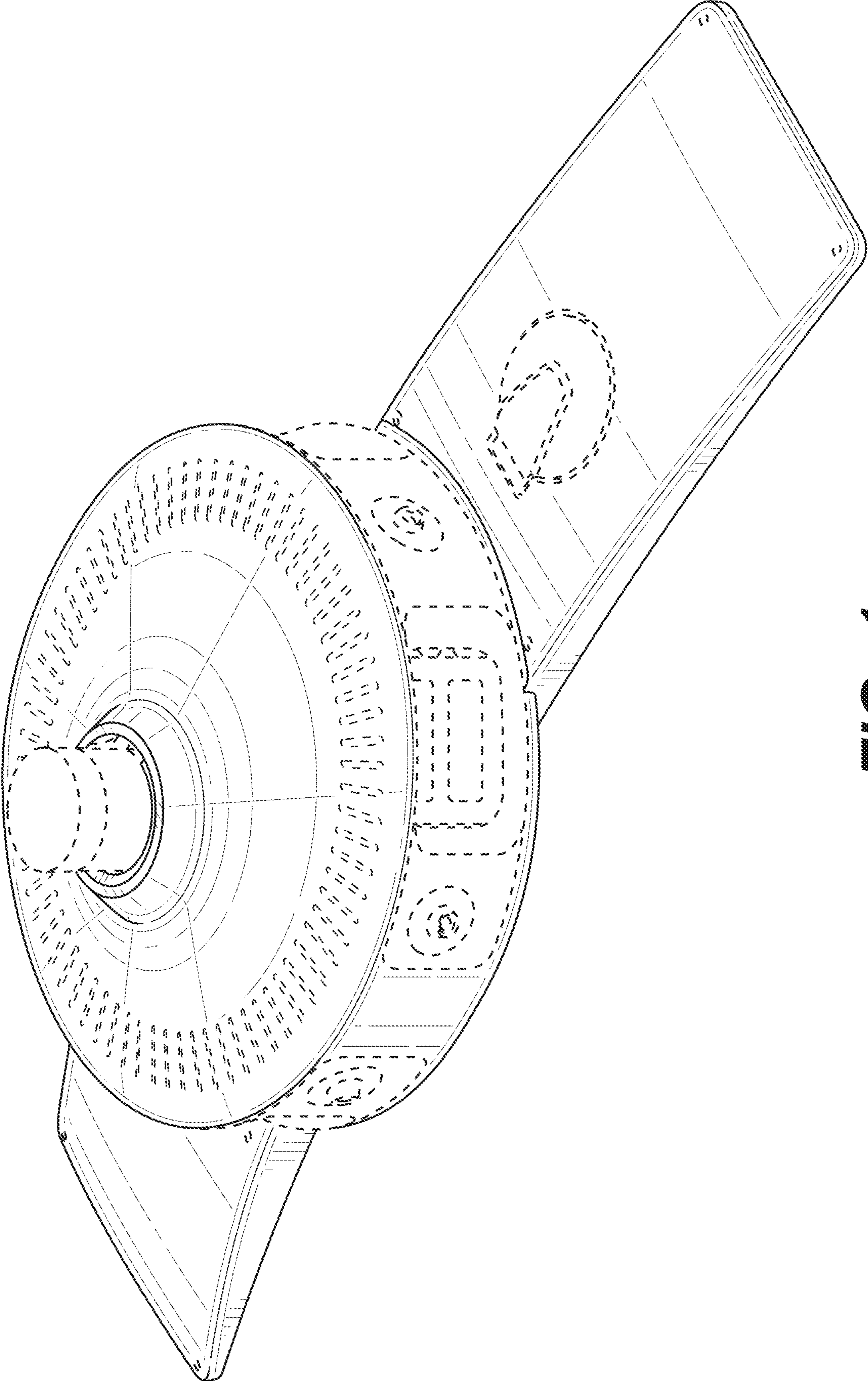
(58) **Field of Classification Search**  
USPC ..... D10/70, 65; D12/190, 197  
CPC .. B60Q 1/0017; B60Q 1/0023; B60Q 1/0029;  
B60Q 1/0035; B60Q 1/0041; B60Q 1/26;  
B60Q 1/2603; B60Q 1/2607; B60Q  
1/2611; B60Q 9/002; B60Q 9/003; B60Q  
9/004; B60Q 9/006; B60Q 9/007; B60Q  
9/008; B60R 1/10; B60R 1/12; B60R  
2001/1284; G05D 1/0055; G05D 1/021;  
G05D 1/0212; G05D 2201/0212; G05D  
1/0016; G05D 1/0088; G05D 1/02; B60K  
37/06; B60K 2370/128; B60K 2370/682;  
B60K 2370/175; B60K 2370/12; B60K  
2370/122; B60K 2370/143; B60K 35/00;  
B60K 28/02; B60W 50/082; B60W  
30/06; B60W 2540/215; B62D 15/0285;  
B60Y 2302/05; G08B 25/016

FIG. 1 is a perspective view of a sensor array enclosure.  
FIG. 2 is a rear view thereof.  
FIG. 3 is a front view thereof.  
FIG. 4 is a left view thereof.  
FIG. 5 is a right view thereof.  
FIG. 6 is a top view thereof.  
FIG. 7 is a bottom view thereof.  
FIG. 8 is a top perspective view of a vehicle with a sensor array enclosure.  
FIG. 9 is a side view of a vehicle with a sensor array enclosure.  
FIG. 10 is a top view of a vehicle with a sensor array enclosure; and,  
FIG. 11 is a front view of a vehicle with a sensor array enclosure.  
The sensor array enclosure is not limited to the scale shown in the figures. Illustrations in broken line form no part of the claimed design. The shade lines in the figures, if any, show contour and not surface ornamentation.

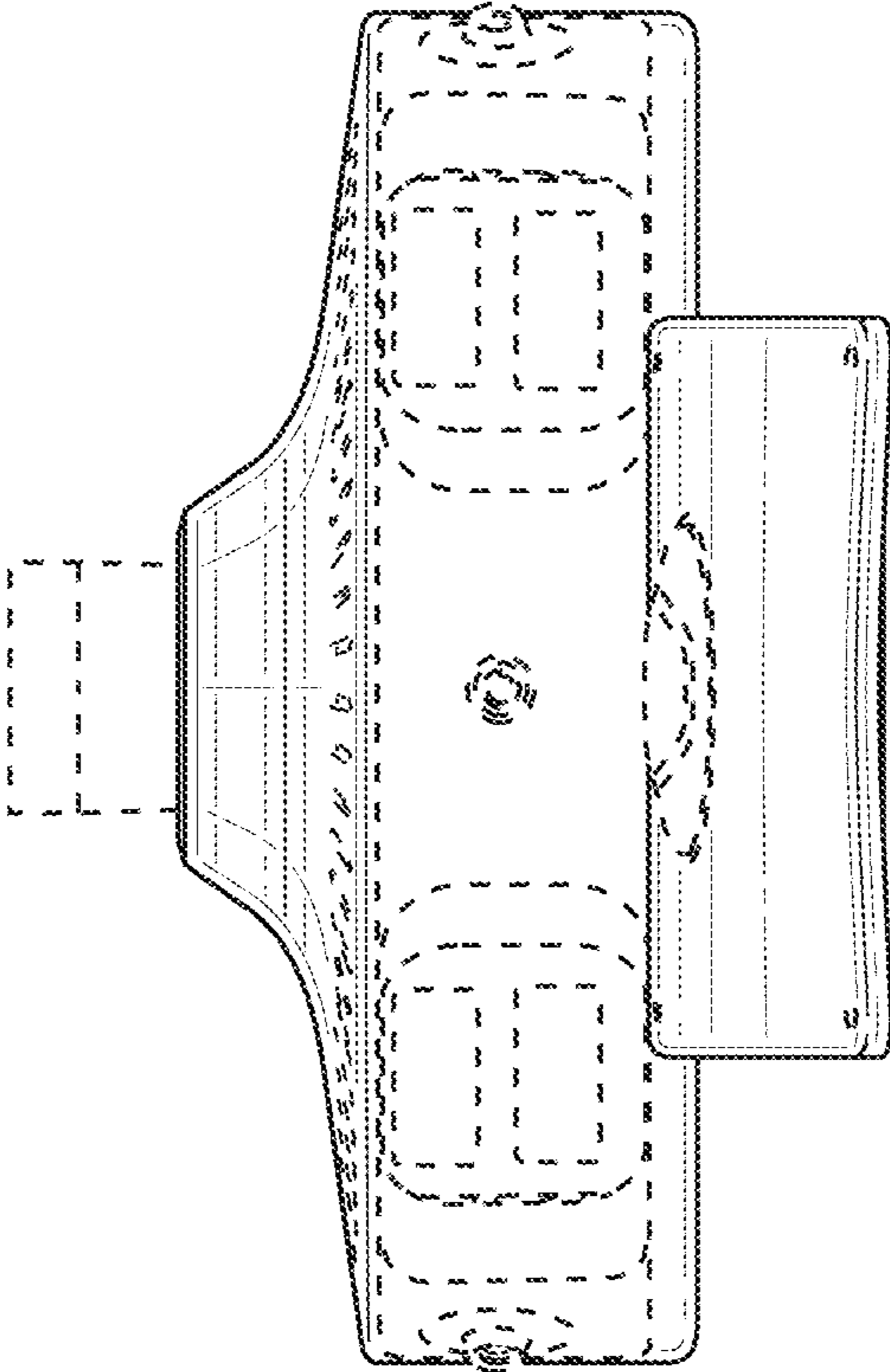
See application file for complete search history.

**1 Claim, 11 Drawing Sheets**

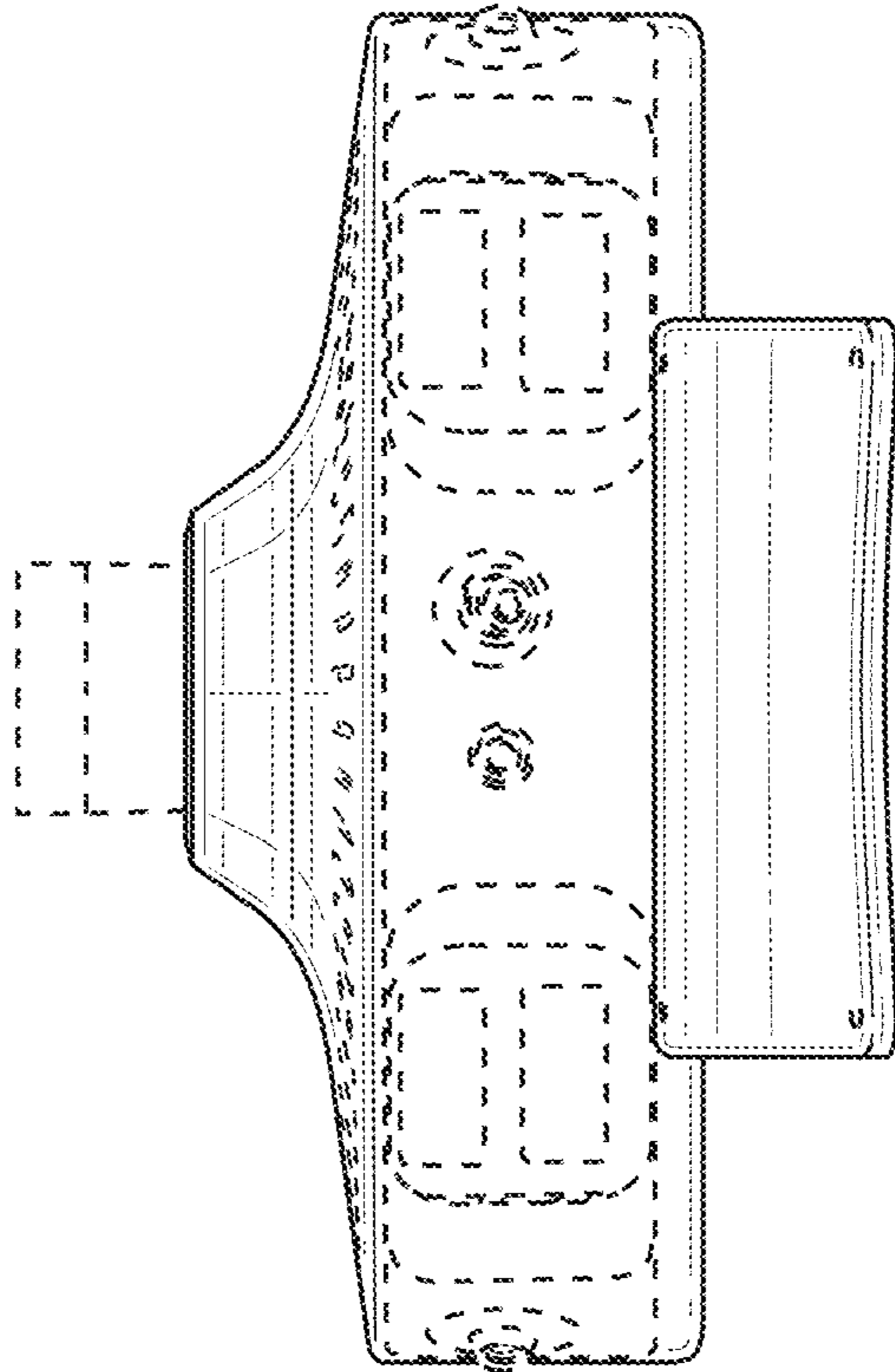




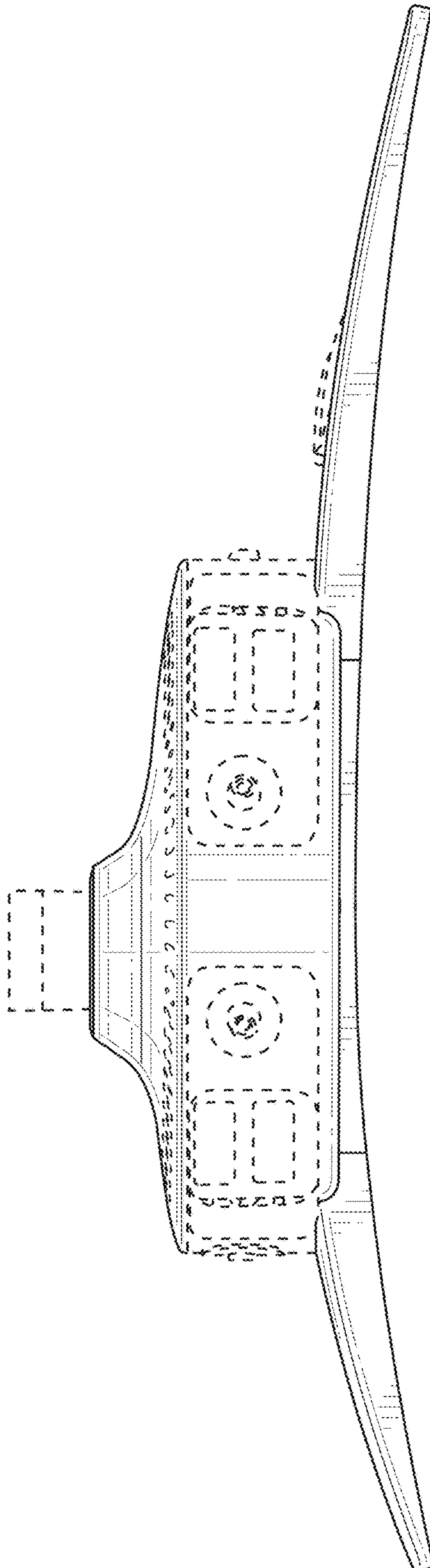
**FIG. 1**



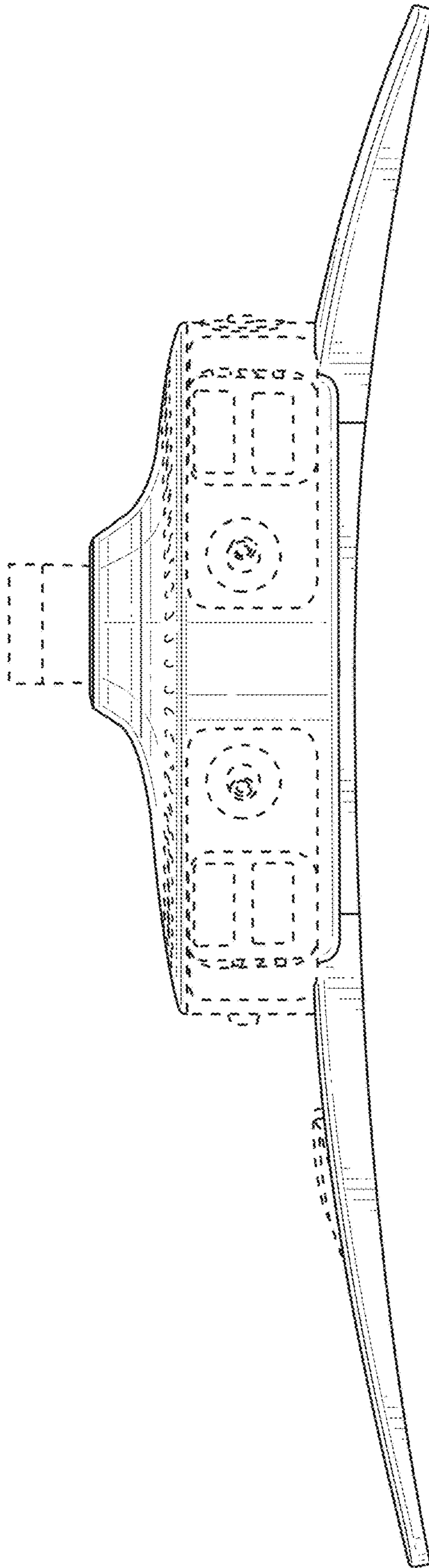
**FIG. 2**



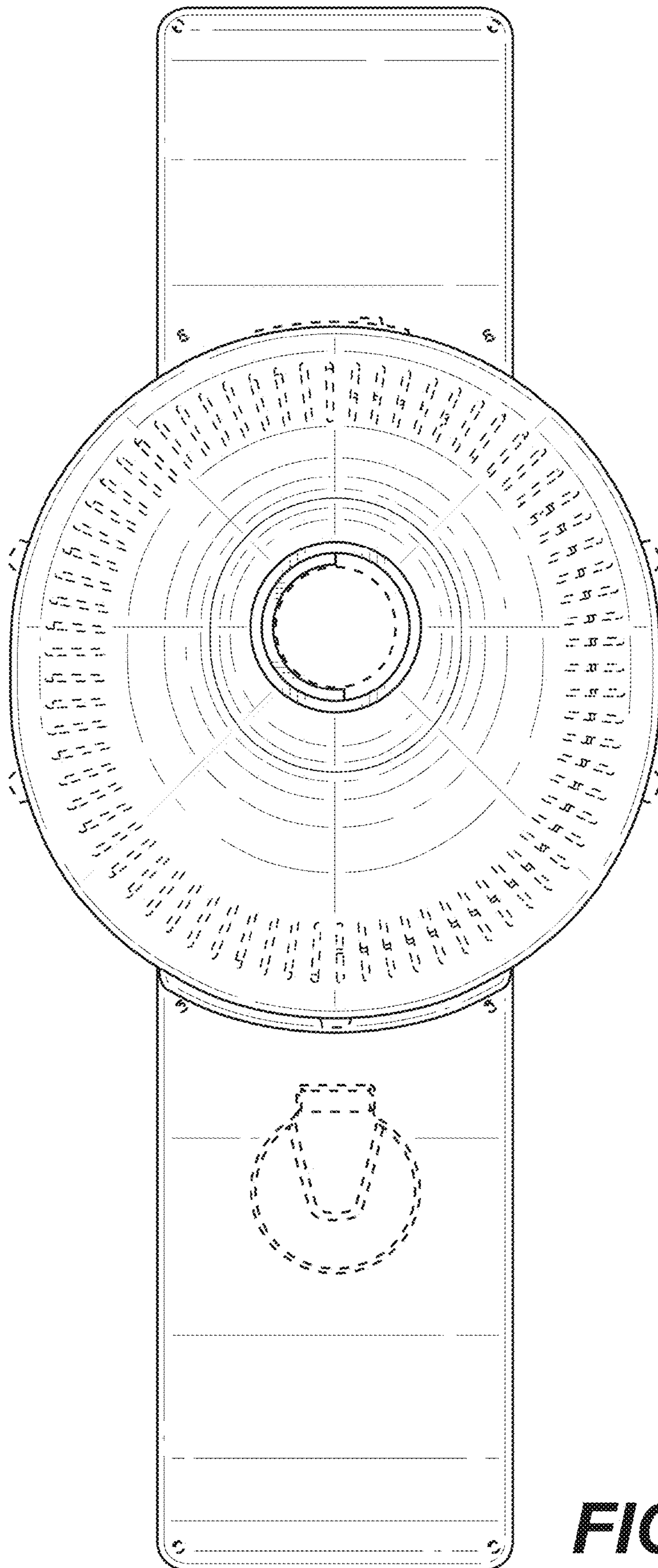
**FIG. 3**



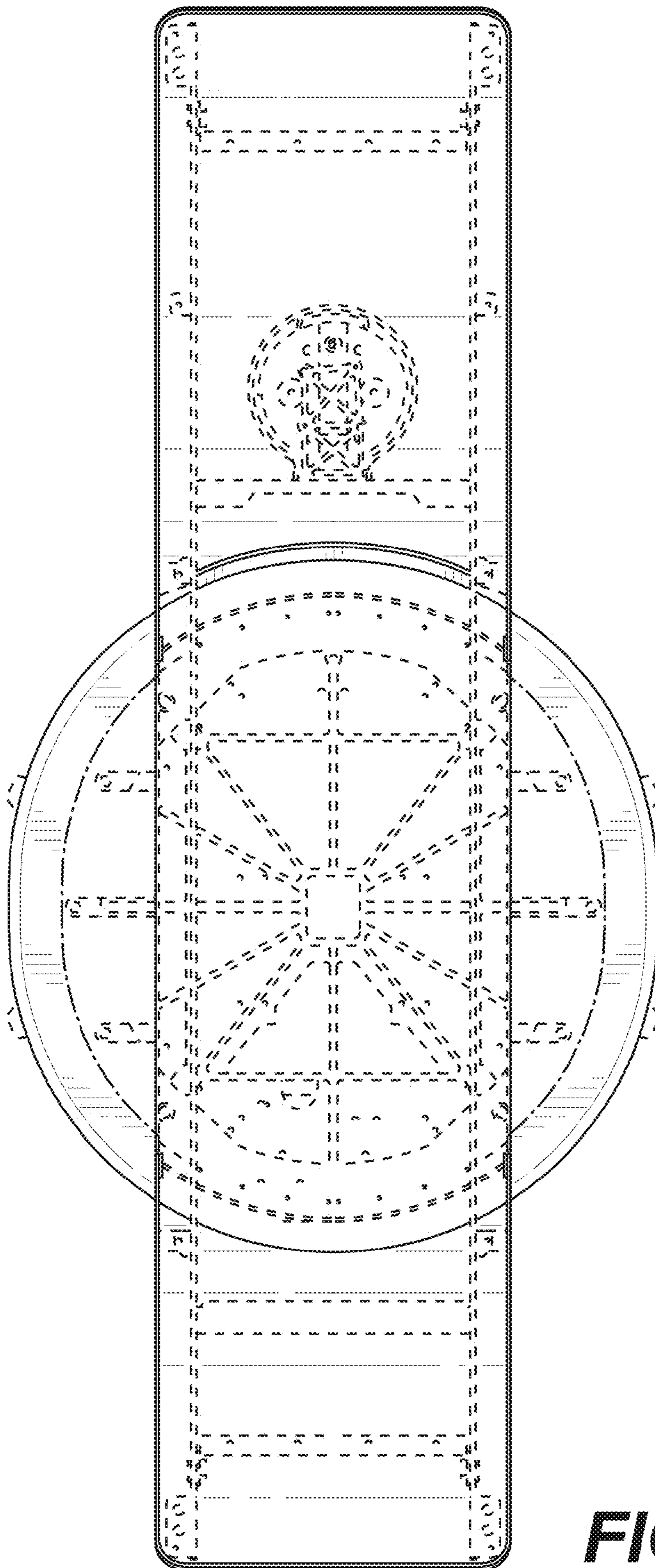
**FIG. 4**



**FIG. 5**

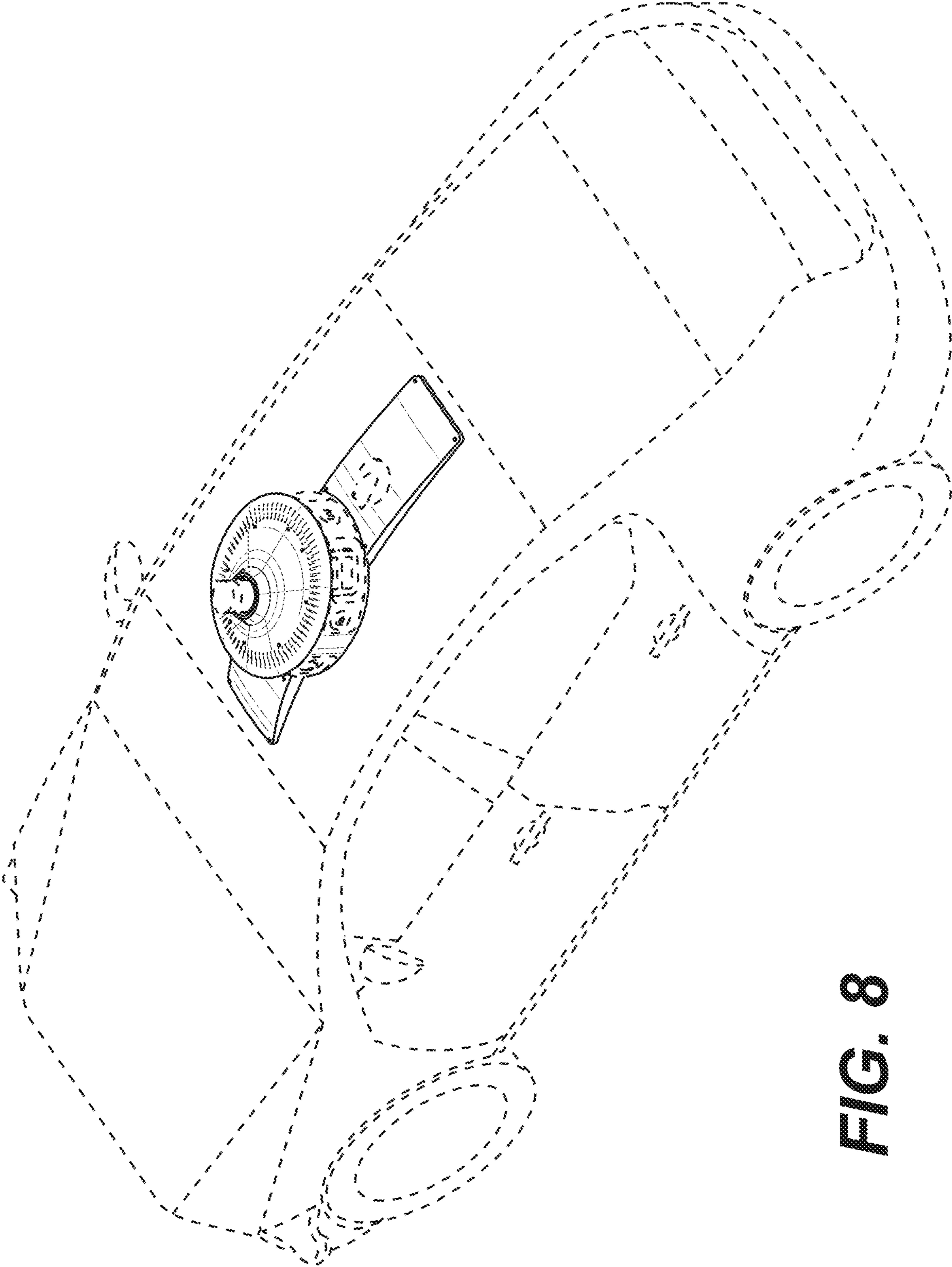


**FIG. 6**

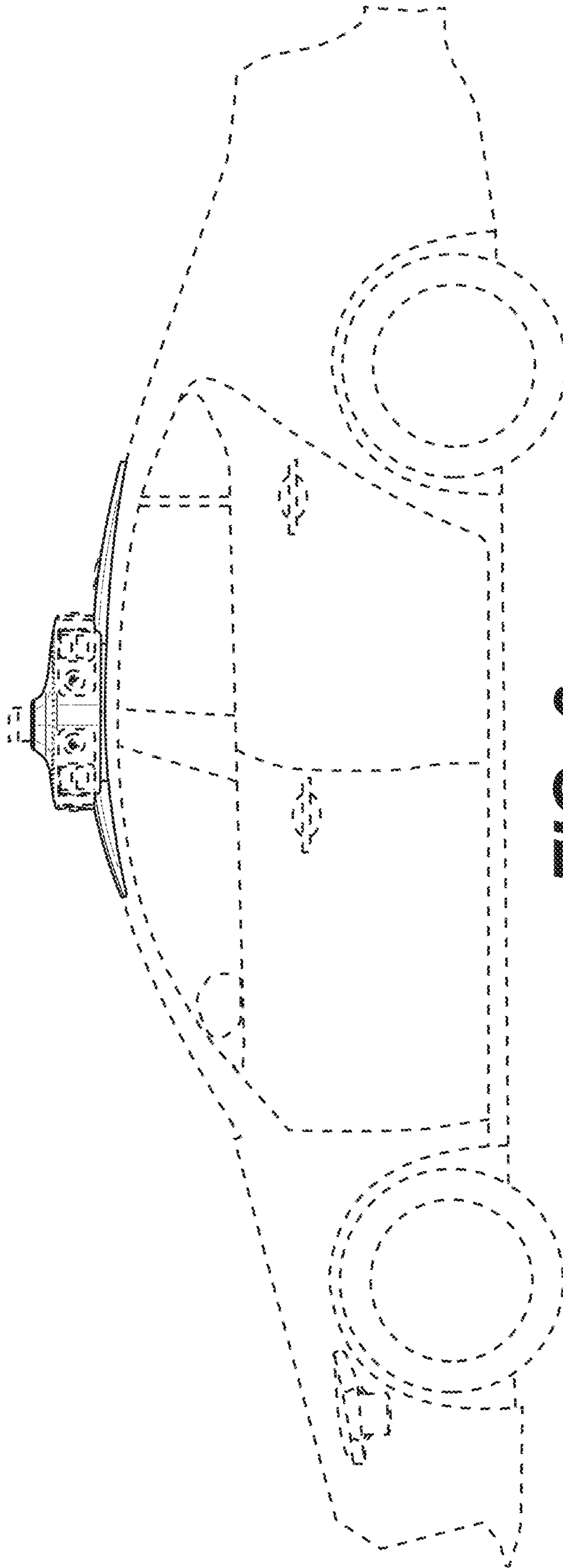


**FIG. 7**

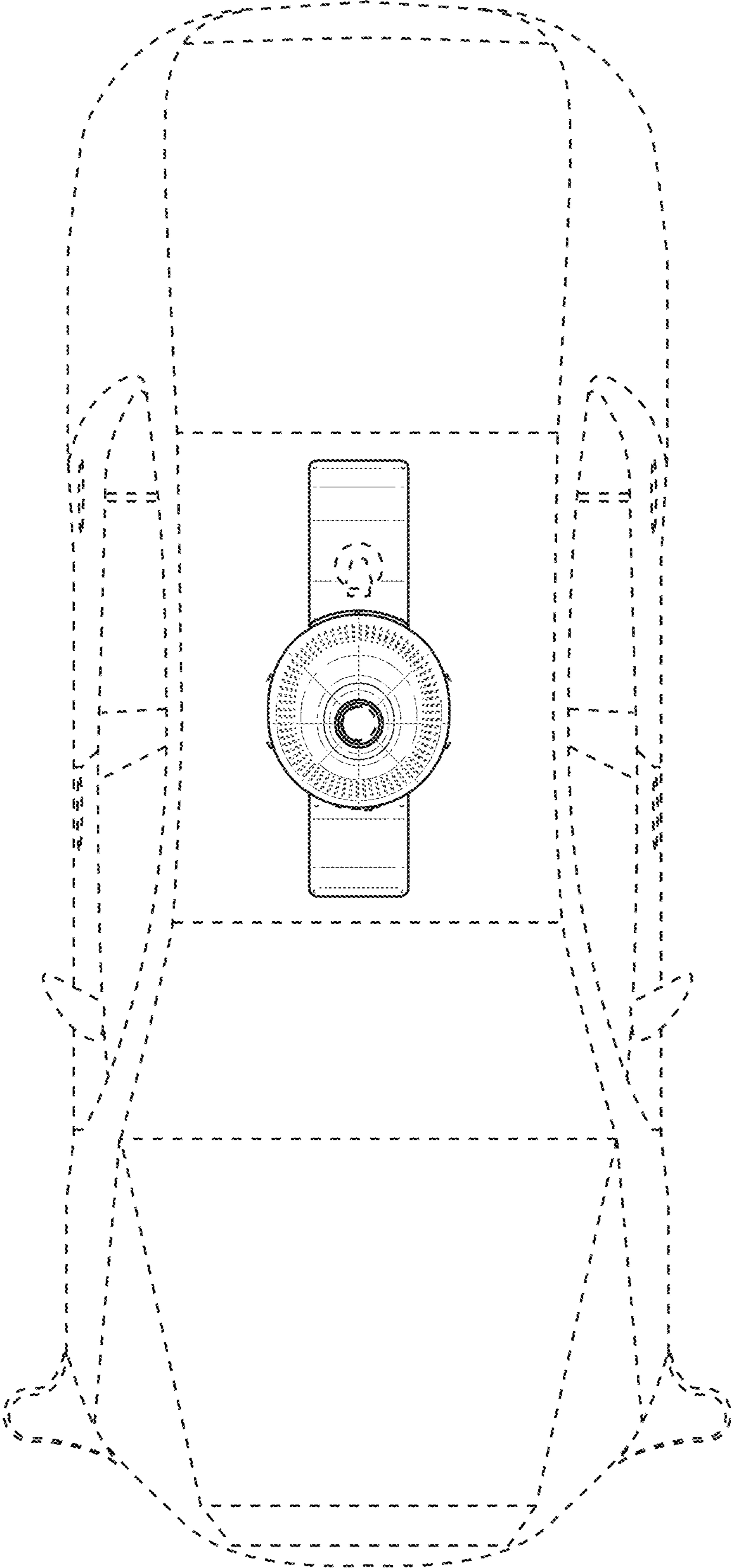




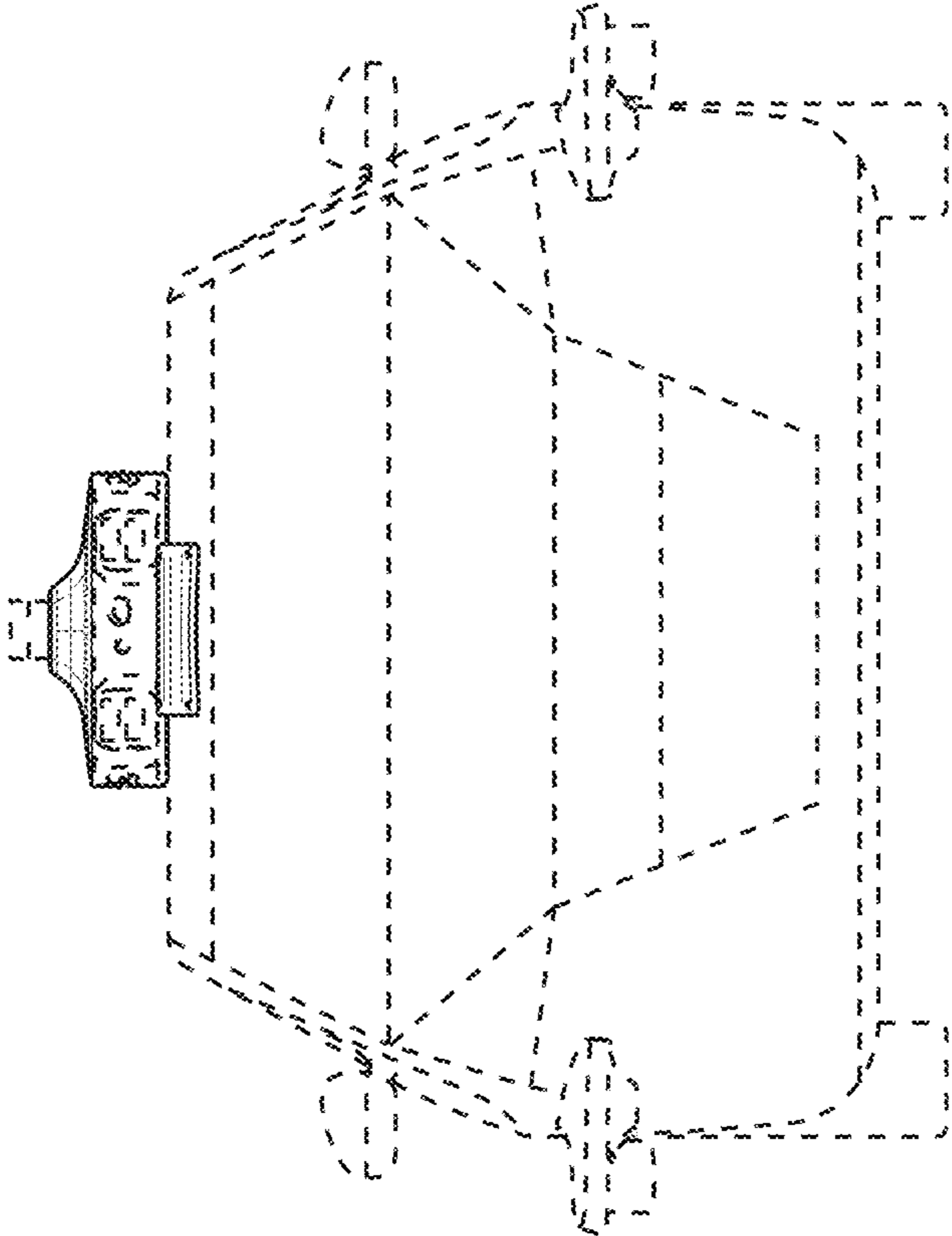
**FIG. 8**



**FIG. 9**



**FIG. 10**



**FIG. 11**