



US00D931125S

(12) **United States Design Patent** (10) **Patent No.:** **US D931,125 S**  
**Zheng et al.** (45) **Date of Patent:** **\*\* Sep. 21, 2021**

(54) **LASER LEVEL**

2009/062; G01C 2009/064; G01C  
2009/066; G01C 2009/068; G01C  
2009/102; G01C 2009/105; G01C  
2009/107; G01C 2009/182; G01C  
2009/185; G01C 2009/187

(71) Applicant: **Shenzhen Aukeyhi Technology Co.,  
Ltd., Shenzhen (CN)**

See application file for complete search history.

(72) Inventors: **Huahui Zheng, Shenzhen (CN);  
Huiyue Ze, Shenzhen (CN)**

(56) **References Cited**

(73) Assignee: **SHENZHEN AUKEYHI  
TECHNOLOGY CO., LTD., Shenzhen  
(CN)**

U.S. PATENT DOCUMENTS

(\*\*) Term: **15 Years**

D922,224 S \* 6/2021 Zhuang ..... D10/69

(21) Appl. No.: **29/709,831**

\* cited by examiner

(22) Filed: **Oct. 17, 2019**

*Primary Examiner* — Antoine Duval Davis

(30) **Foreign Application Priority Data**

(57) **CLAIM**

Jul. 24, 2019 (EM) ..... 006643771

The ornamental design for a laser level, as shown and described.

(51) **LOC (13) Cl.** ..... **10-04**

**DESCRIPTION**

(52) **U.S. Cl.**

FIG. 1 is a perspective view of a laser level showing our new design;

USPC ..... **D10/69**

FIG. 2 is a front elevational view thereof;

(58) **Field of Classification Search**

USPC ..... D10/69

FIG. 3 is a rear elevational view thereof;

CPC . G01C 9/00; G01C 9/005; G01C 9/02; G01C

FIG. 4 is a left side view thereof;

9/04; G01C 9/06; G01C 9/08; G01C

FIG. 5 is a right side view thereof;

9/10; G01C 9/12; G01C 9/14; G01C

FIG. 6 is a top plan view thereof; and,

9/16; G01C 9/18; G01C 9/20; G01C

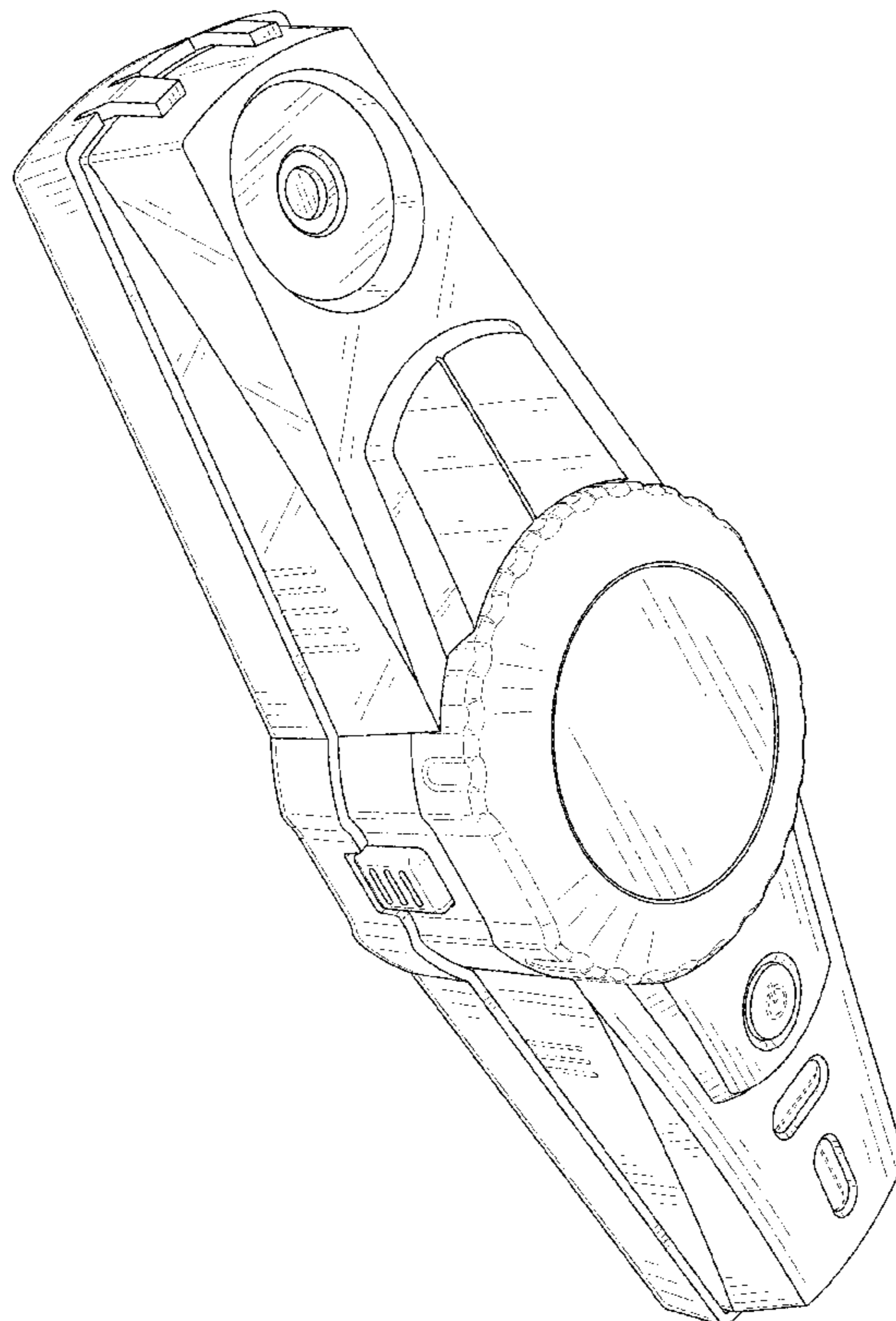
FIG. 7 is a bottom plan view thereof.

9/22; G01C 9/24; G01C 9/26; G01C

The evenly broken lines in the drawings illustrate portions of the laser level that form no part of the claimed design.

9/28; G01C 9/30; G01C 9/32; G01C  
9/34; G01C 9/36; G01C 2009/005; G01C

**1 Claim, 7 Drawing Sheets**



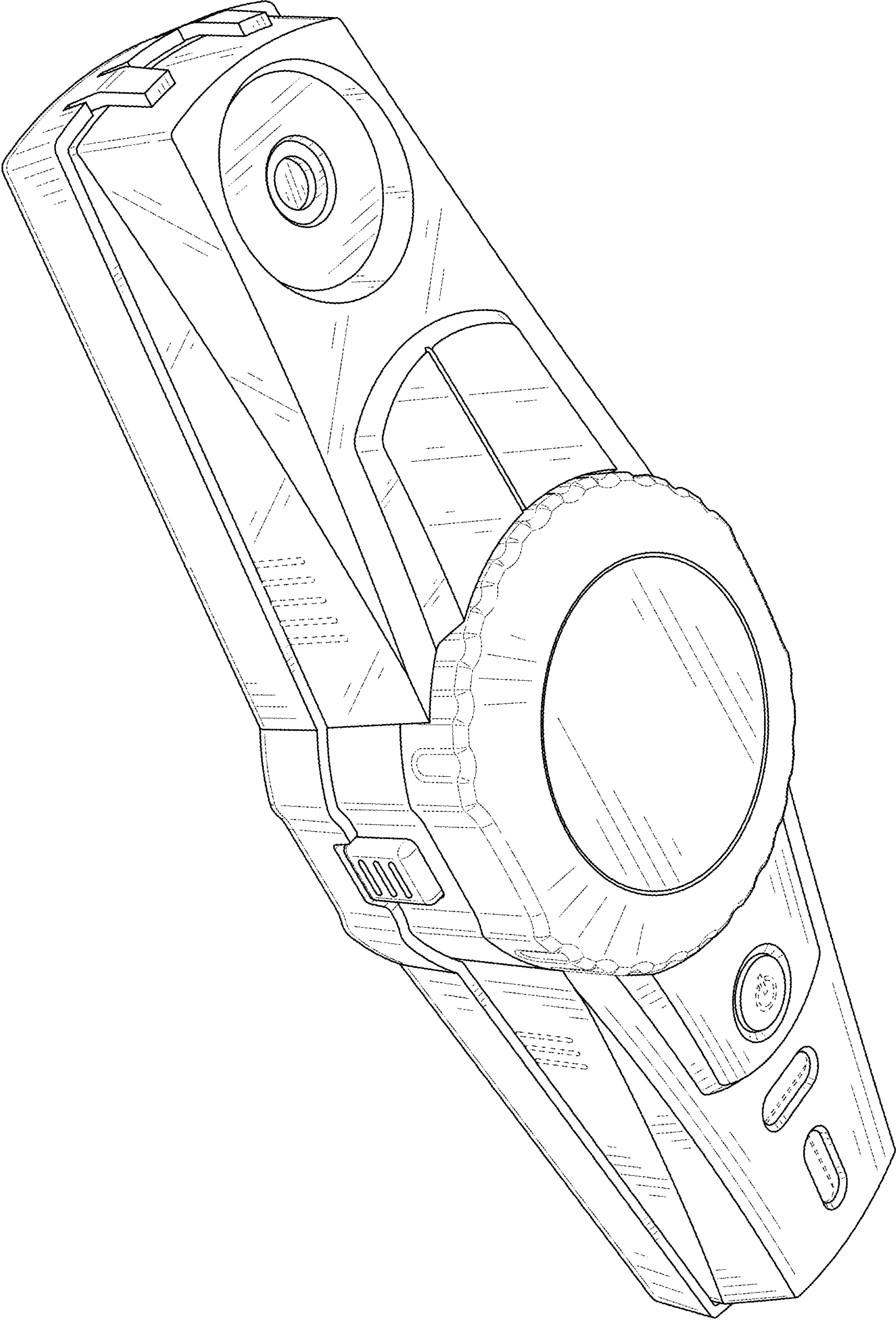


FIG. 1

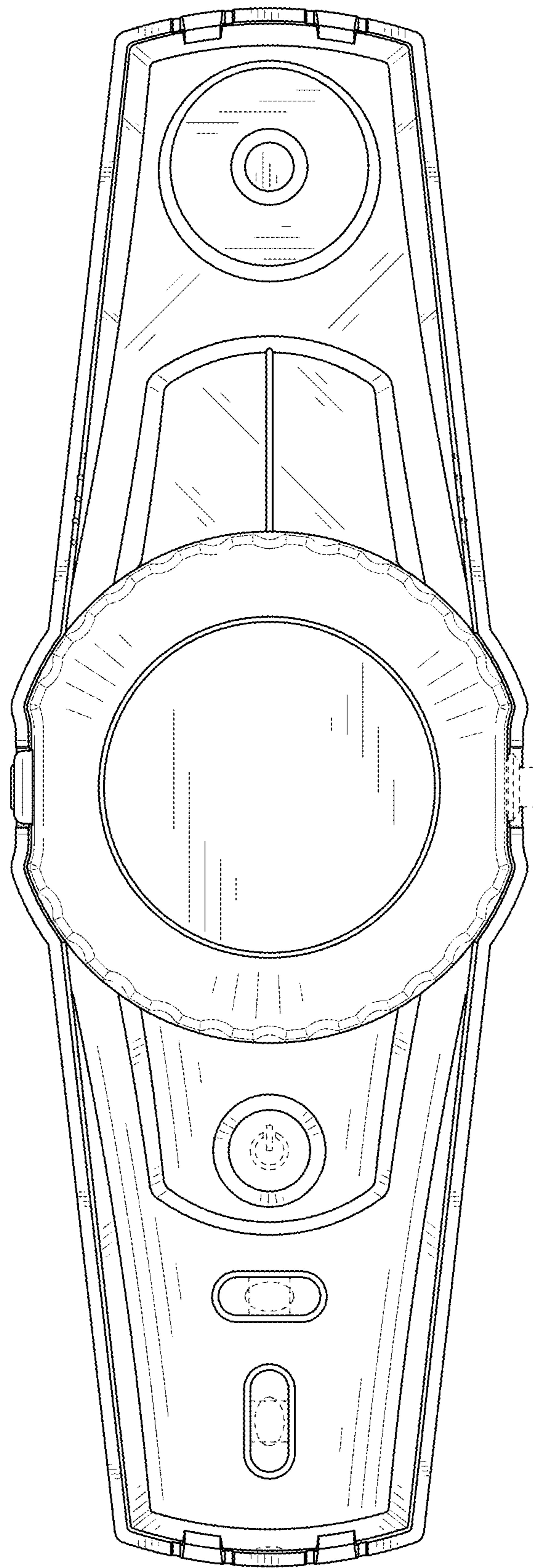


FIG. 2

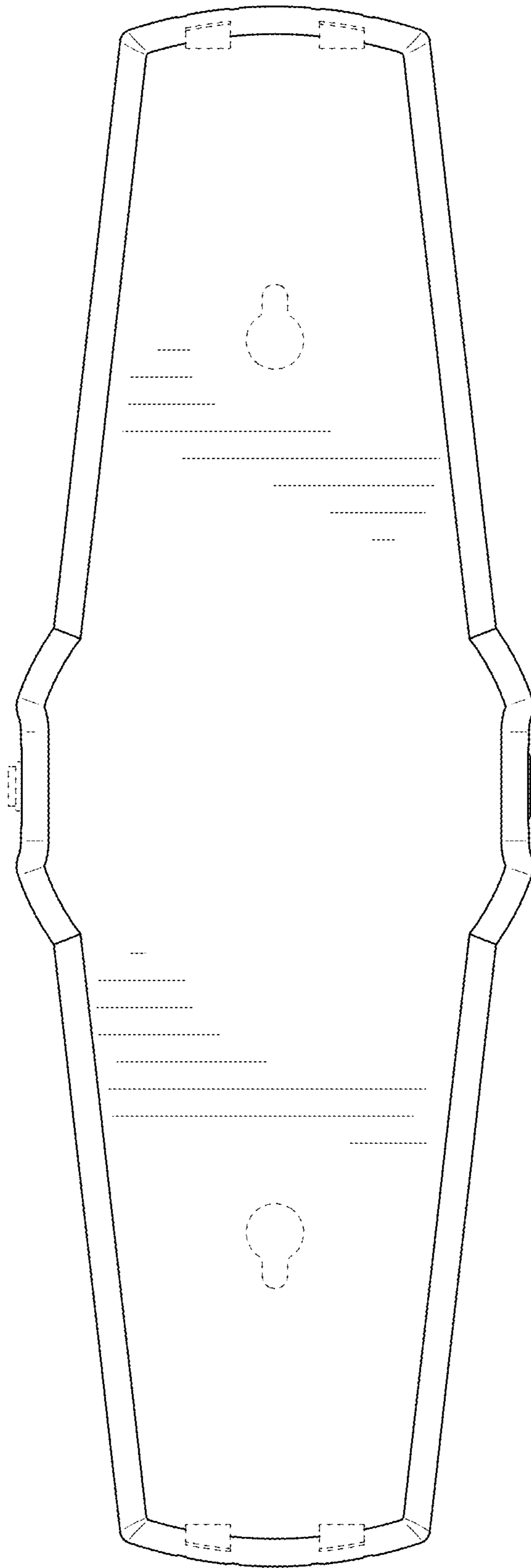


FIG. 3



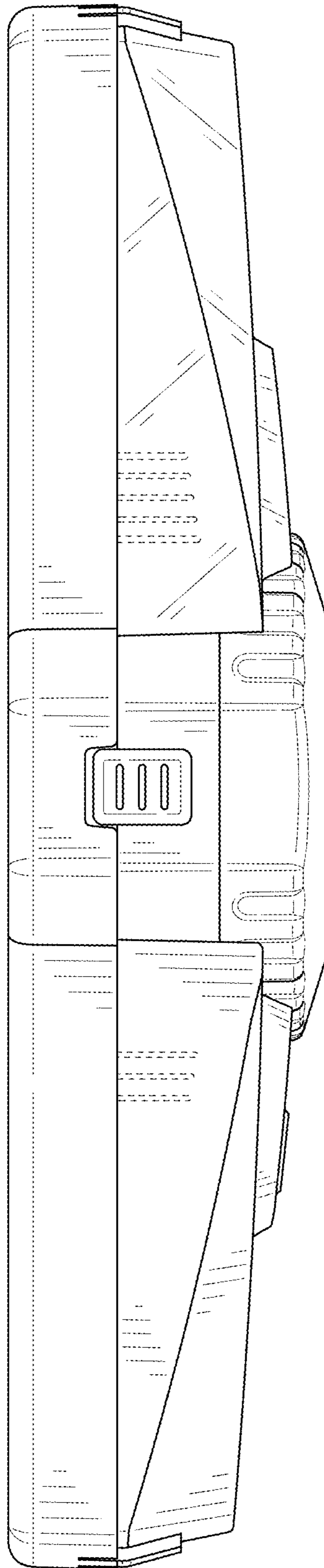


FIG. 4

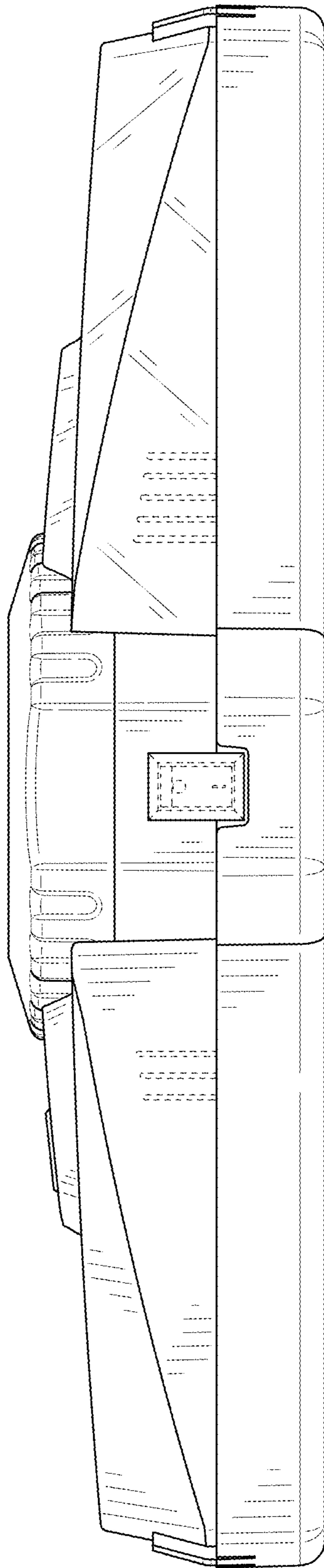


FIG. 5

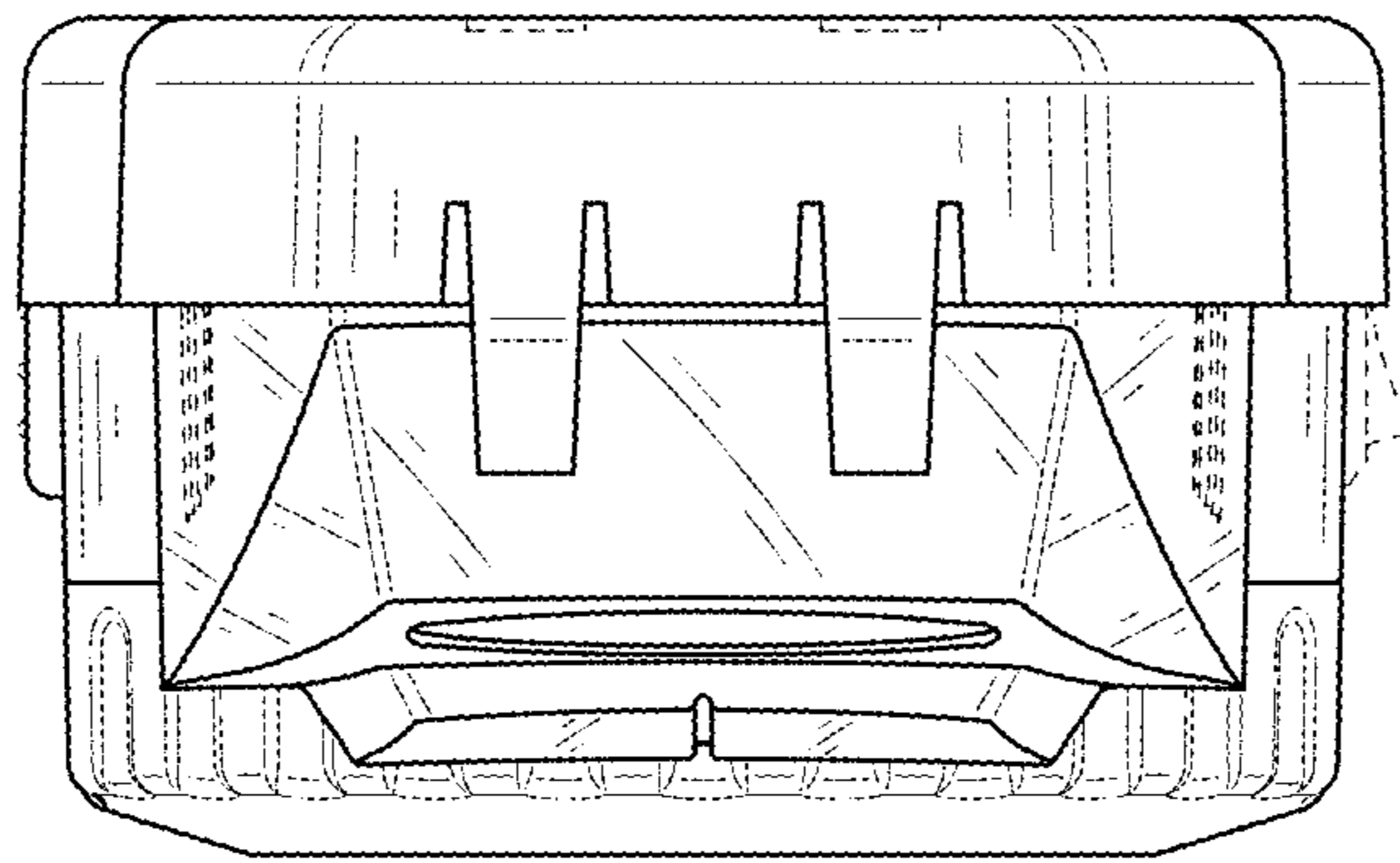


FIG. 6

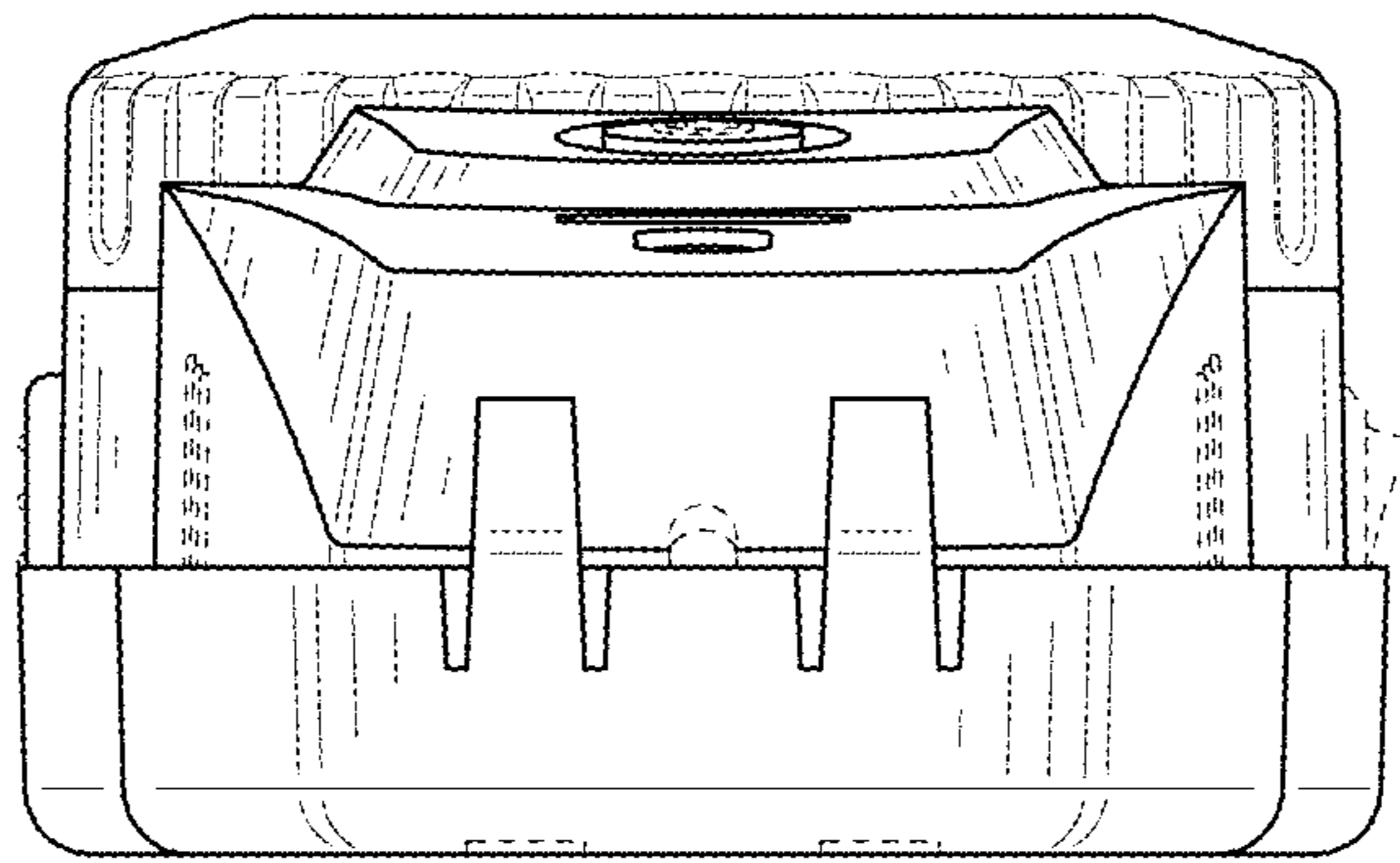


FIG. 7