



US00D931124S

(12) **United States Design Patent**
Martin

(10) **Patent No.:** **US D931,124 S**

(45) **Date of Patent:** **** Sep. 21, 2021**

(54) **HOUSING FOR A DRIVER GUIDANCE SYSTEM**

(71) Applicant: **Modular Mining Systems, Inc.**,
Tucson, AZ (US)

(72) Inventor: **Christopher Martin**, Tucson, AZ (US)

(73) Assignee: **MODULAR MINING SYSTEMS, INC.**, Tucson, AZ (US)

(**) Term: **15 Years**

(21) Appl. No.: **29/693,565**

(22) Filed: **Jun. 3, 2019**

(51) **LOC (13) Cl.** **10-04**

(52) **U.S. Cl.**
USPC **D10/65**

(58) **Field of Classification Search**
USPC D10/65, 70, 78
CPC G06F 17/50; G06F 17/2235; G06F

17/30867; G06F 17/30699; G06F 3/048;
G06F 3/0481; G06F 3/04812; G06F
3/04815; G06F 3/04817; G06F 3/0482;
G06F 3/0483; G06F 3/0484; G06F
3/04842; G06F 3/04845; G06F 3/04897;
G06F 3/0485; G06F 3/04855; G06F
3/0486; G06F 3/0487; G06F 3/0438;
G06F 3/04883; G06F 3/04886; G06F
3/0489; G06F 3/04892; G06F 3/04895;
G01C 21/36; G01C 21/3602; G01C
21/3605; G01C 21/3608; G01C 21/3611;
G01C 21/3614; G01C 21/3617; G01C
21/362; G01C 21/3623; G01C 21/3626;
G01C 21/3629; G01C 21/3632; G01C
21/3635; G01C 21/3638; G01C 21/3641;
G01C 21/3644; G01C 21/3647; G01C
21/365; G01C 21/3652; G01C 21/3655;

G01C 21/3658; G01C 21/3661; G01C
21/3664; G01C 21/3667; G01C 21/367;
G01C 21/3673; G01C 21/3676; G01C
21/3679; G01C 21/3682; G01C 21/3685;
G01C 21/3688; G01C 21/3691; G01C
21/3654; G01C 21/3697; G01S
7/56-7/629; G01S 3/046

See application file for complete search history.

(56) **References Cited**

U.S. PATENT DOCUMENTS

D702,139 S * 4/2014 Emge D10/65
D702,570 S * 4/2014 Emge D10/65
D703,072 S * 4/2014 Emge D10/65
D749,437 S * 2/2016 Crees D10/65

* cited by examiner

Primary Examiner — Antoine Duval Davis

(74) *Attorney, Agent, or Firm* — Quarles & Brady LLP

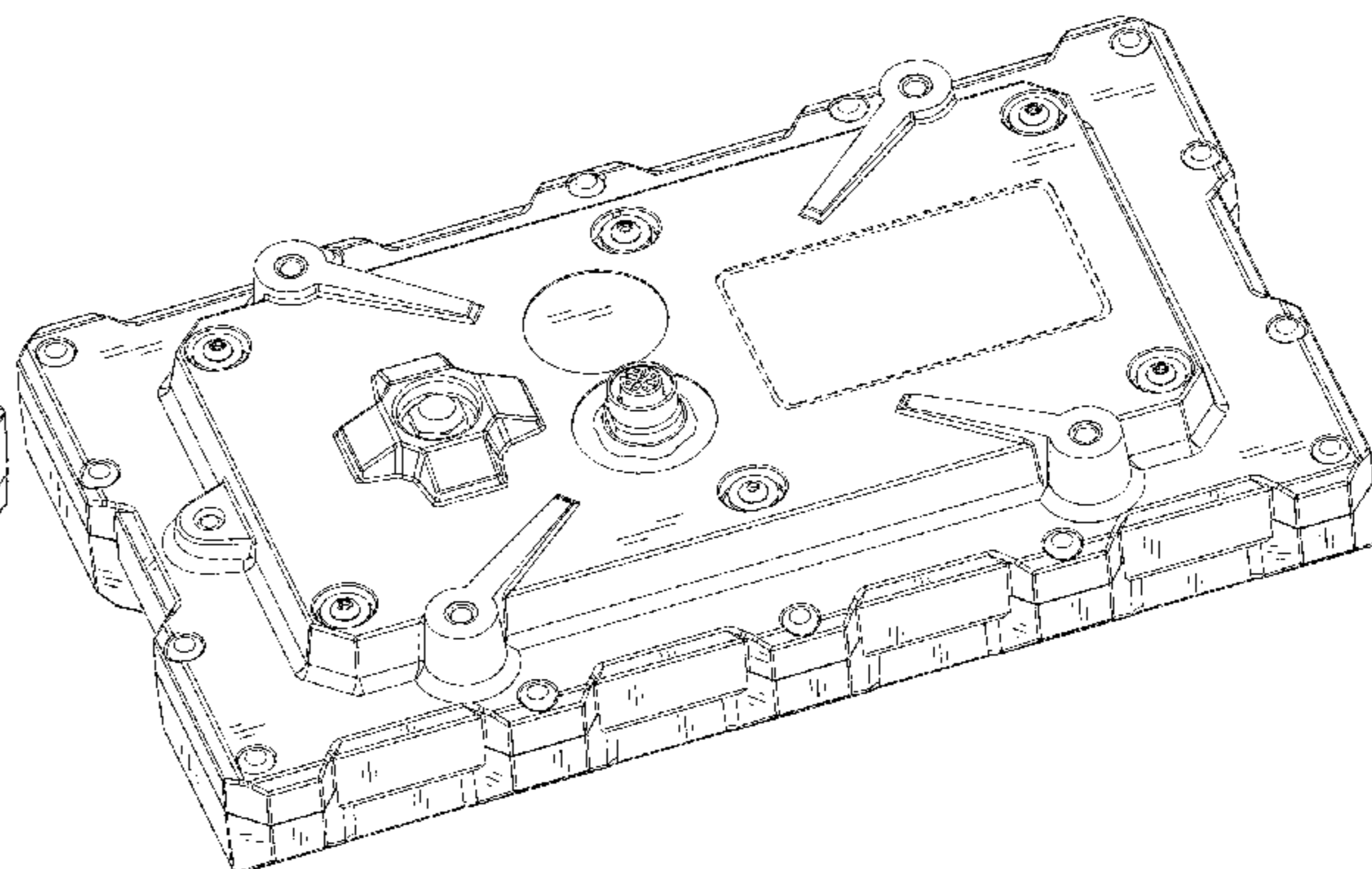
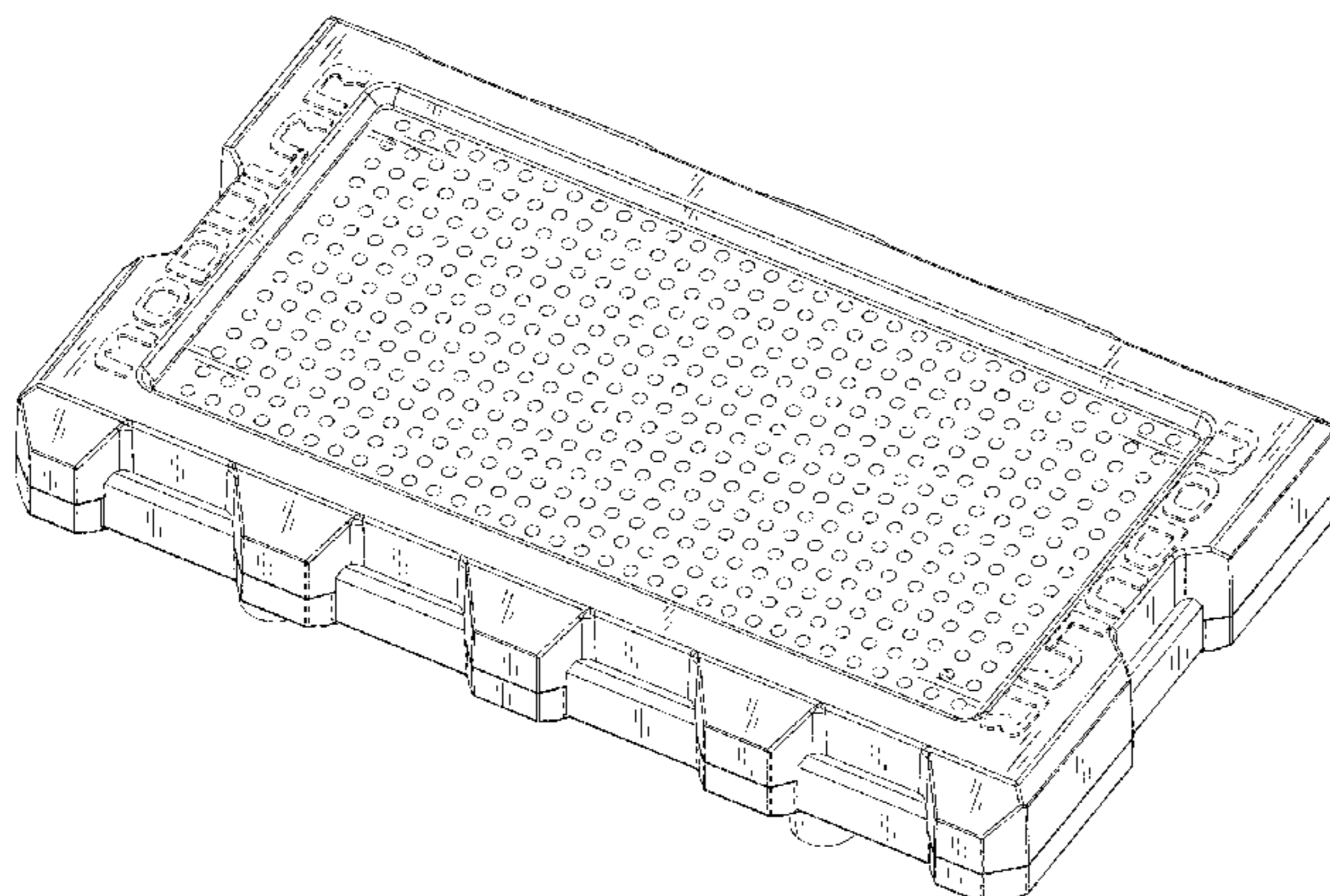
(57) **CLAIM**

The ornamental design for a housing, as shown and described.

DESCRIPTION

FIG. 1 is a top plan view of the housing;
FIG. 2 is a bottom plan view thereof;
FIG. 3 is a top perspective view thereof;
FIG. 4 is a bottom perspective view thereof;
FIG. 5 is a first elevational view thereof;
FIG. 6 is a second elevational view thereof;
FIG. 7 is a third elevational view thereof; and,
FIG. 8 is a fourth elevational view thereof.
The broken lines shown in the drawings depict features that form no part of the claimed design.

1 Claim, 6 Drawing Sheets



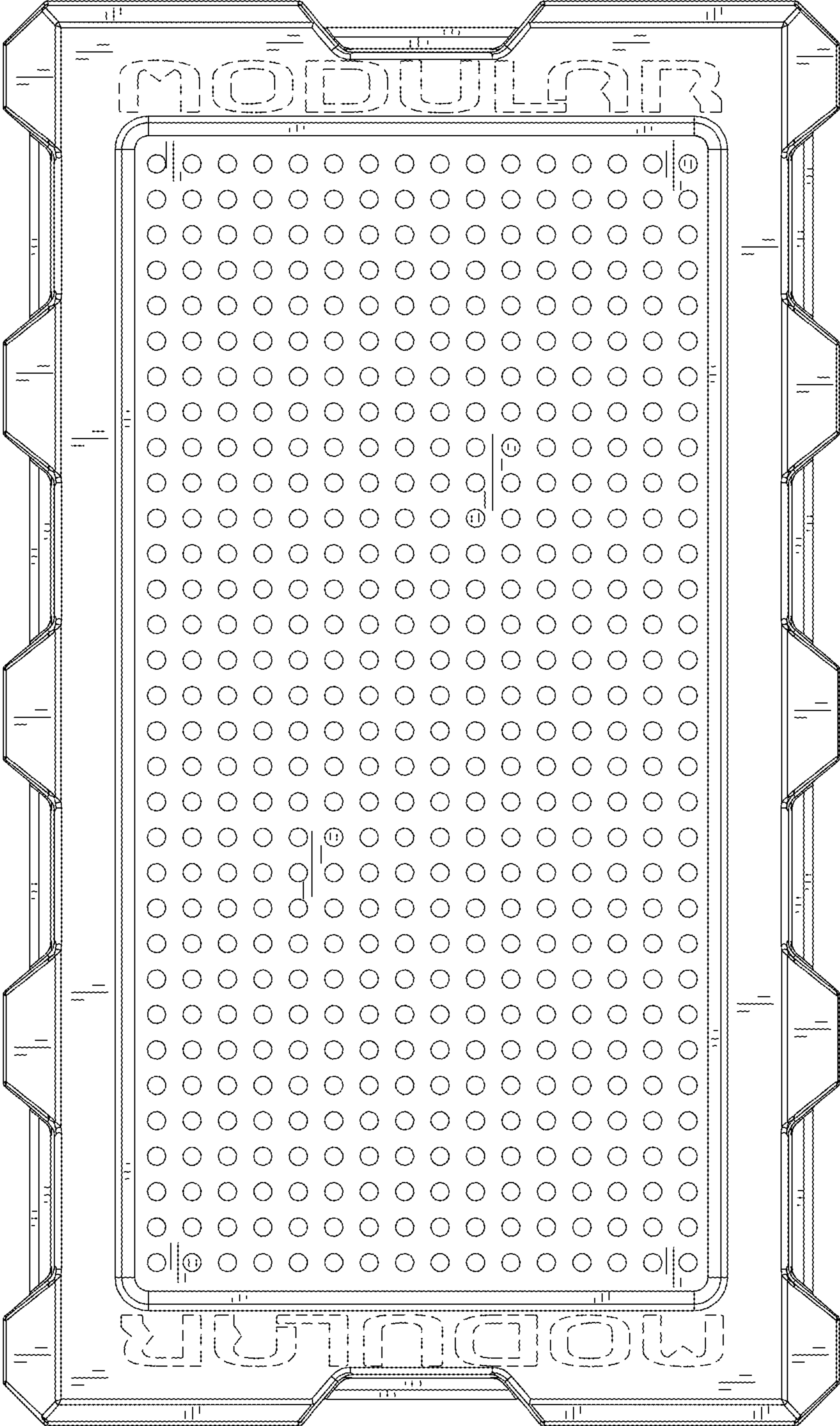


FIG. 1

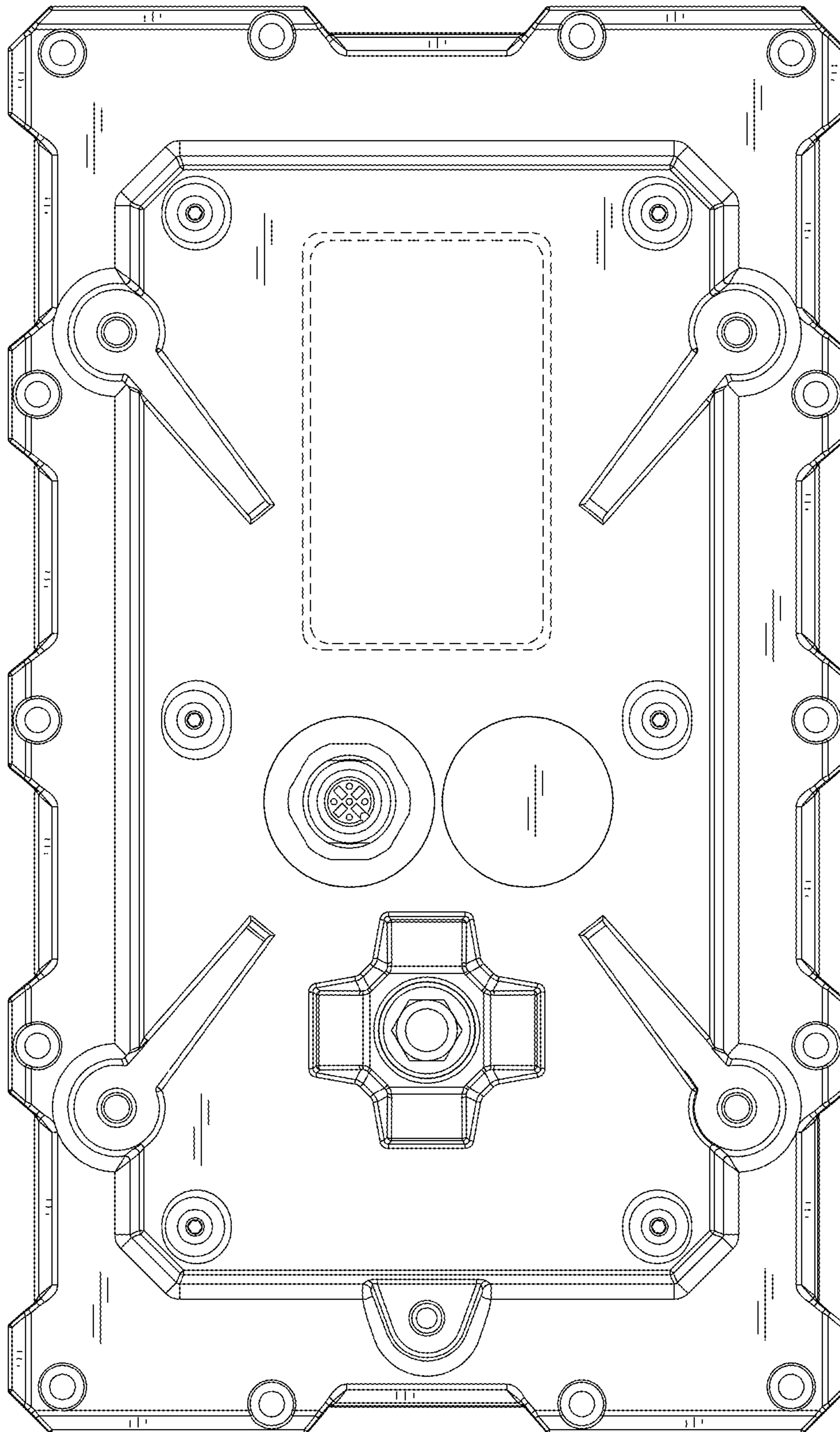


FIG. 2

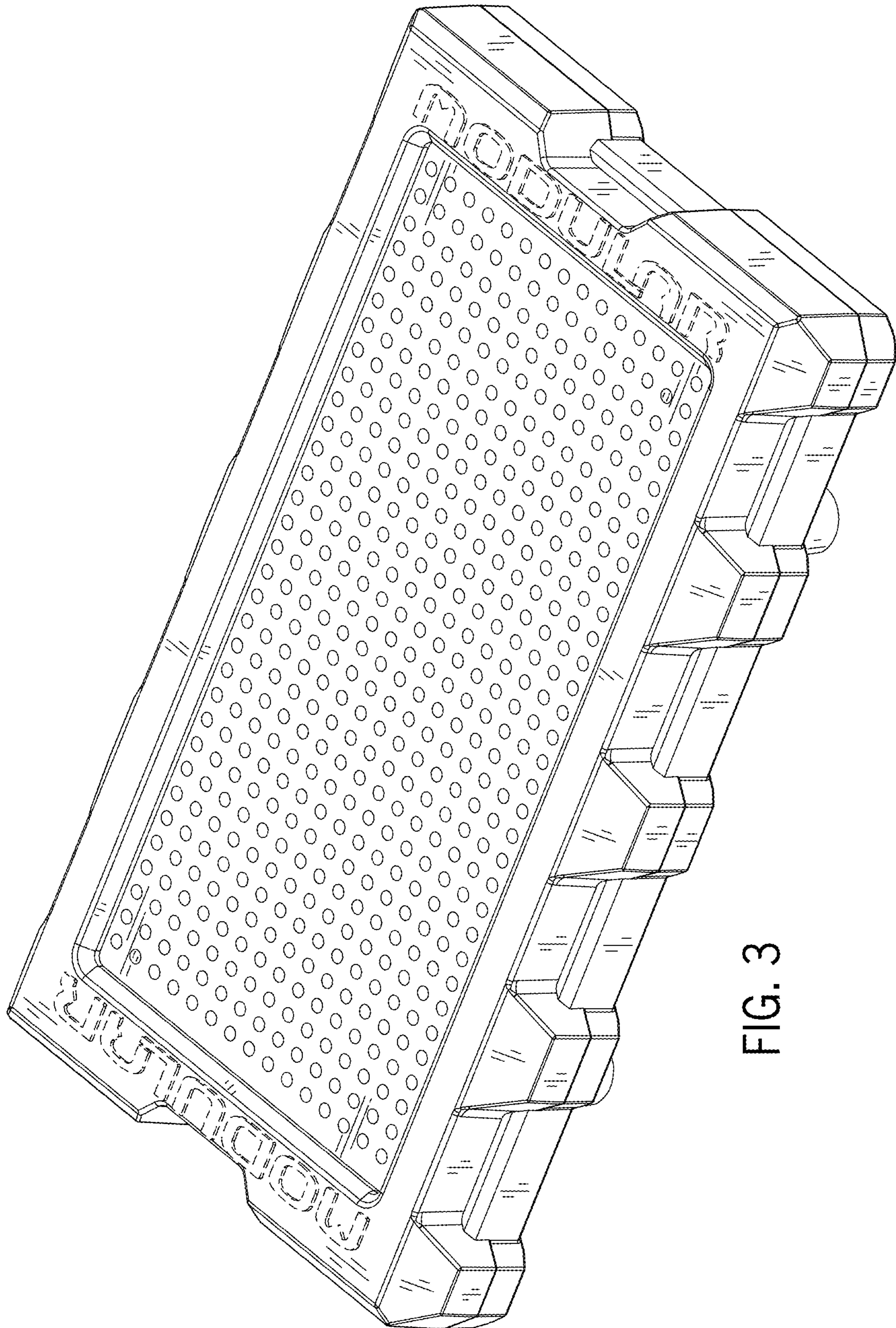


FIG. 3

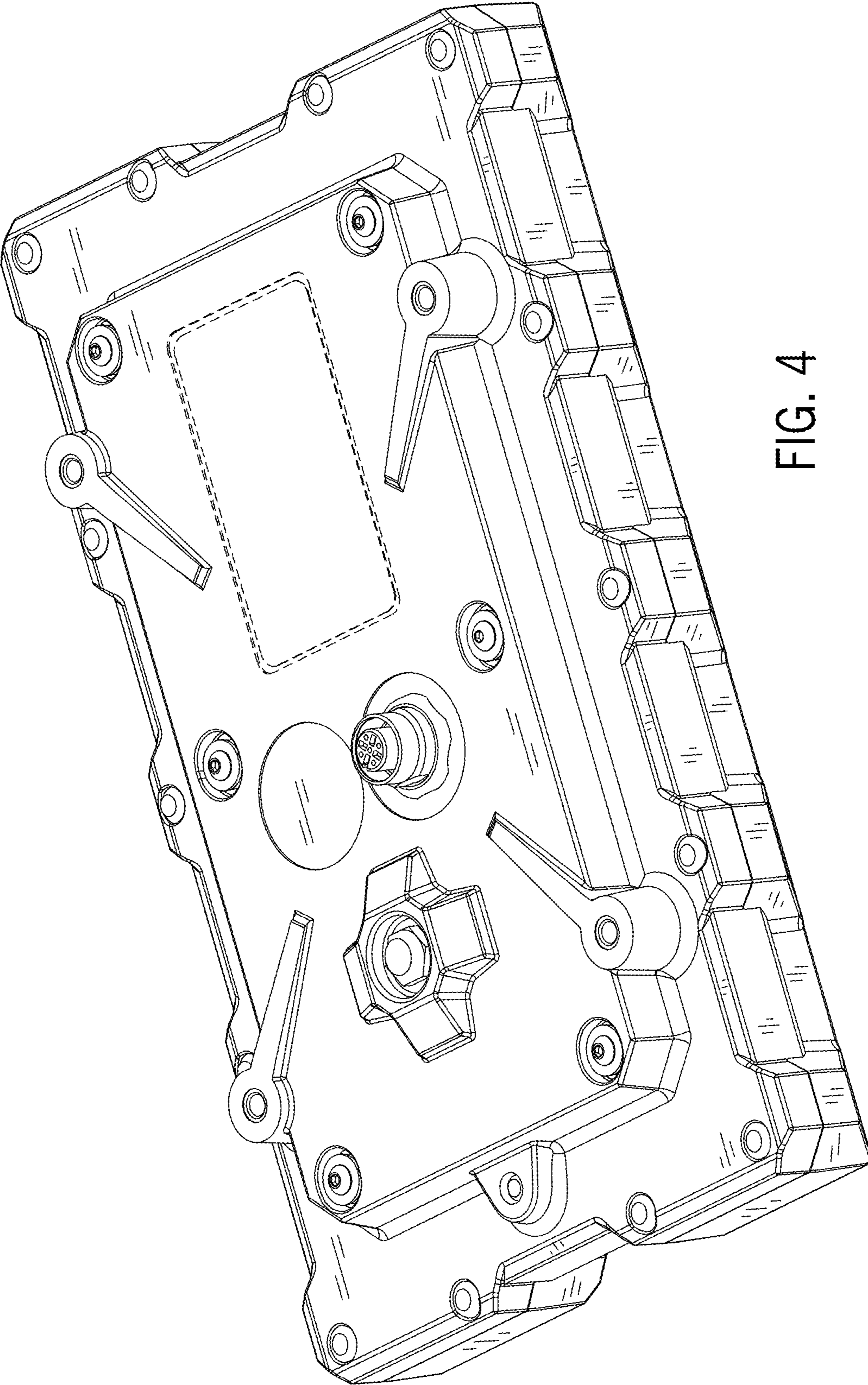


FIG. 4

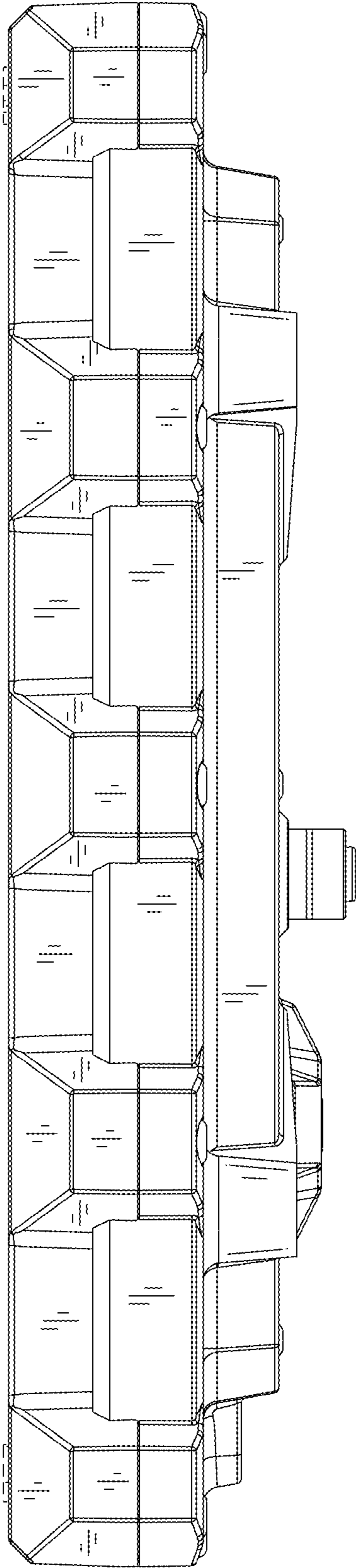


FIG. 5

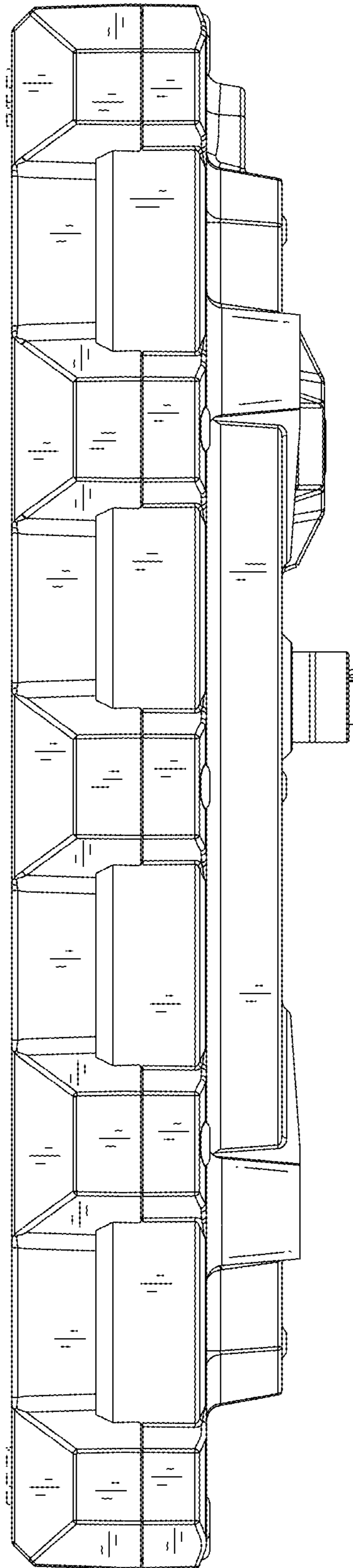


FIG. 6

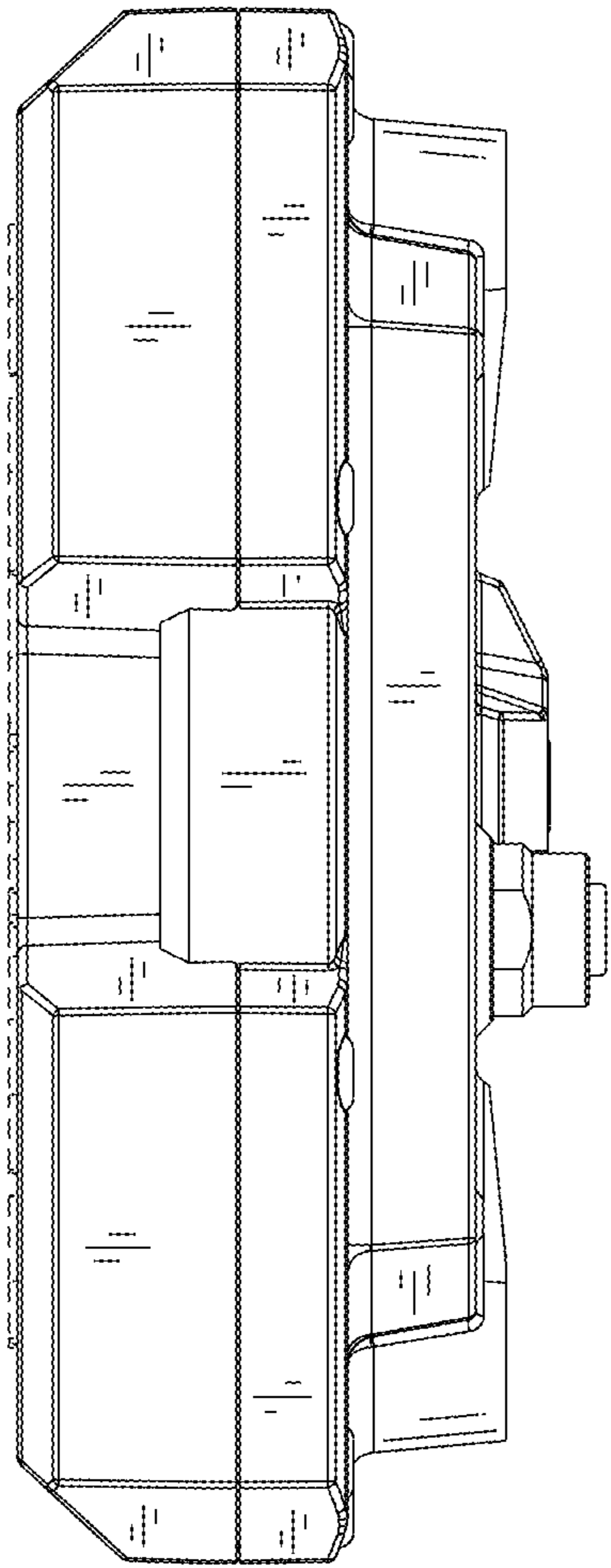


FIG. 7

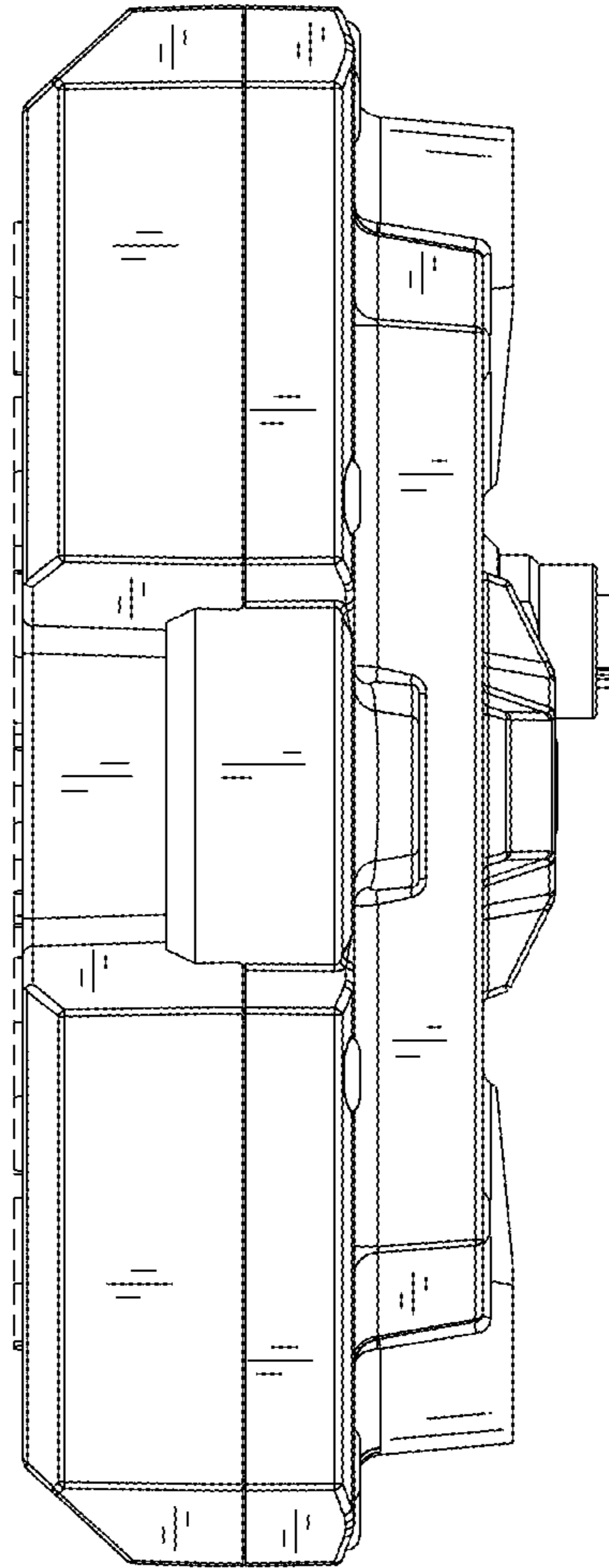


FIG. 8