



US00D931122S

(12) **United States Design Patent** (10) **Patent No.:** **US D931,122 S**
Huang (45) **Date of Patent:** **** Sep. 21, 2021**

(54) **DIGITAL FOOD THERMOMETER**

(71) Applicant: **Qingxiang Huang**, Shaoyang (CN)

(72) Inventor: **Qingxiang Huang**, Shaoyang (CN)

(**) Term: **15 Years**

(21) Appl. No.: **29/748,830**

(22) Filed: **Sep. 1, 2020**

(51) **LOC (13) Cl.** **10-04**

(52) **U.S. Cl.**
USPC **D10/57**

(58) **Field of Classification Search**
USPC D10/57

CPC G01K 2207/02; G01K 2207/04; G01K
2207/06; G01K 2207/08

See application file for complete search history.

(56) **References Cited**

U.S. PATENT DOCUMENTS

D855,482 S * 8/2019 Yu D10/57
D888,590 S 6/2020 Wang
D919,458 S * 5/2021 Dai D10/57

* cited by examiner

Primary Examiner — Antoine Duval Davis

(74) *Attorney, Agent, or Firm* — Justin Lampel

(57) **CLAIM**

The ornamental design for a digital food thermometer, as shown and described.

DESCRIPTION

FIG. 1 is a perspective view of a digital food thermometer showing the claimed design;

FIG. 2 is a top plan view thereof;

FIG. 3 is a rear elevational view thereof;

FIG. 4 is a bottom plan view thereof;

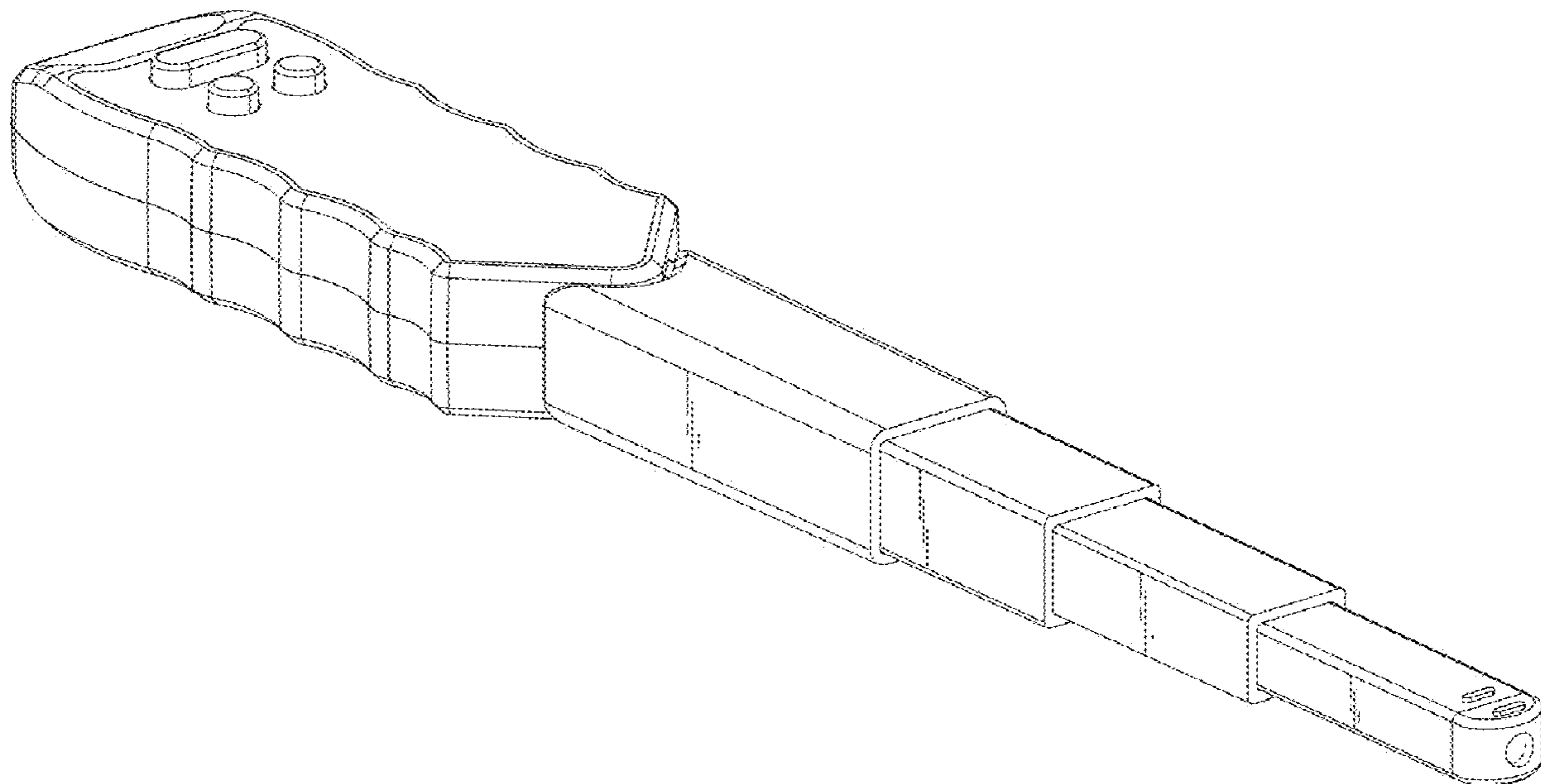
FIG. 5 is a right side view thereof;

FIG. 6 is a front elevational view thereof; and,

FIG. 7 is a left side view thereof.

The broken lines illustrate portions of the digital food thermometer that form no part of the claimed design.

1 Claim, 7 Drawing Sheets



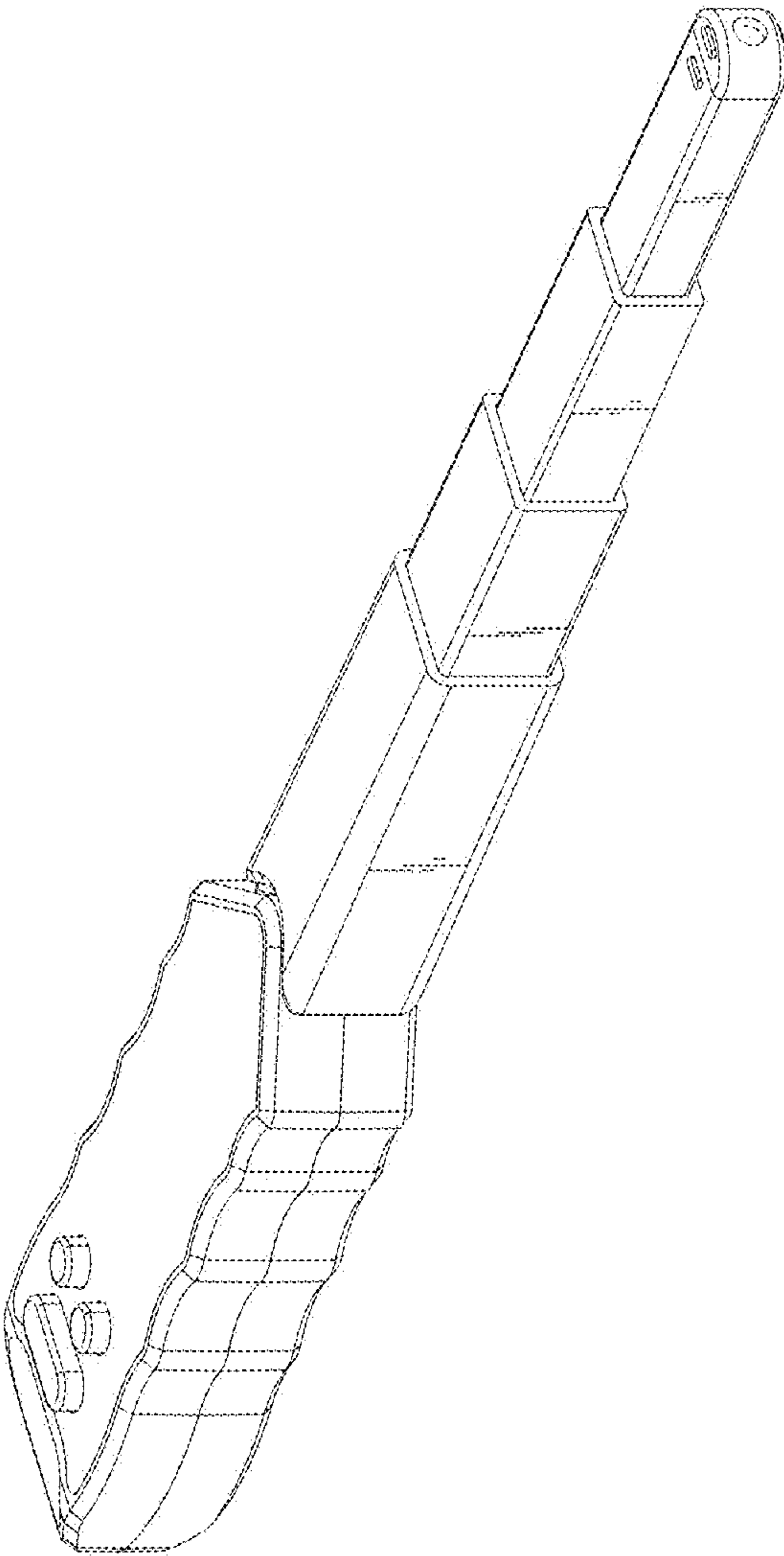


FIG.1

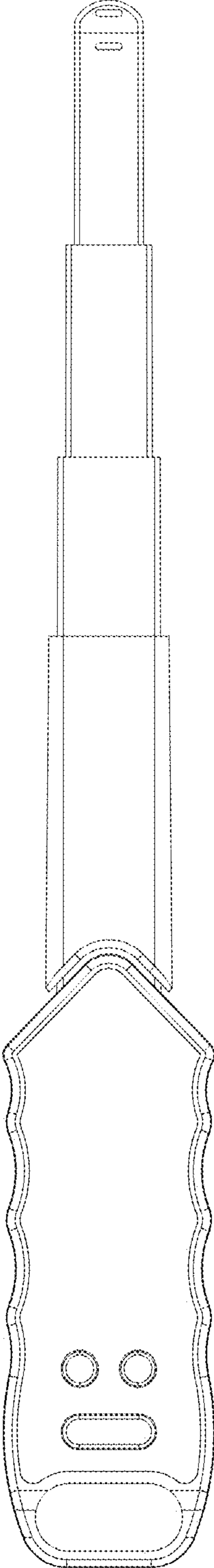


FIG. 2

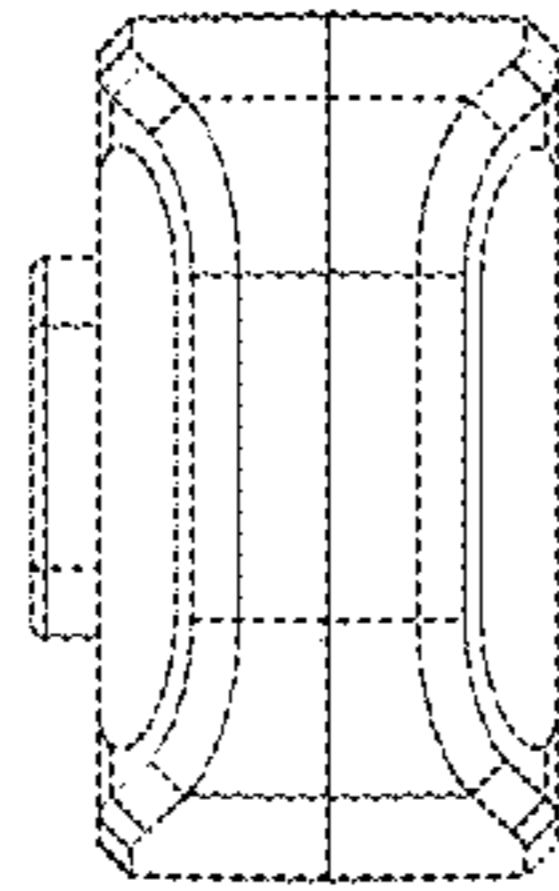


FIG. 3

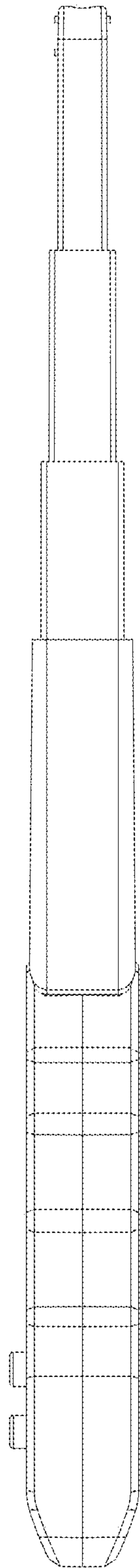


FIG. 4

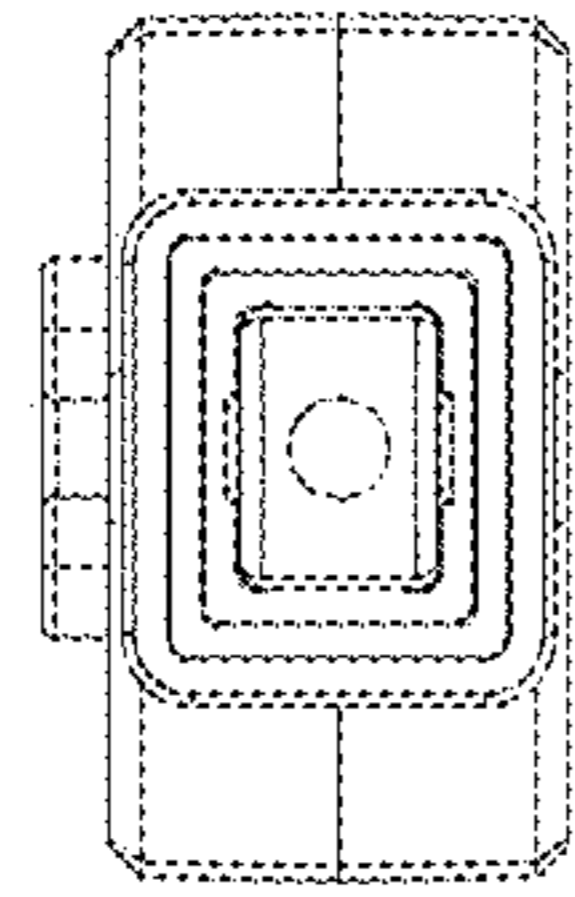


FIG. 5

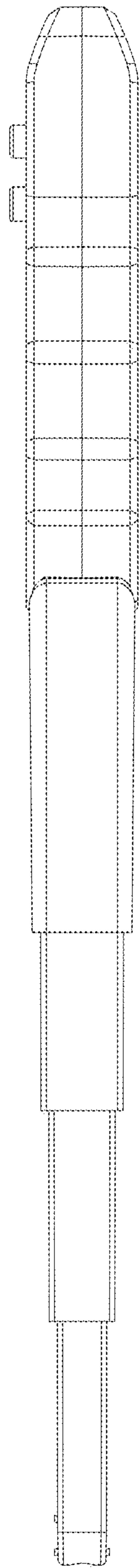


FIG.6

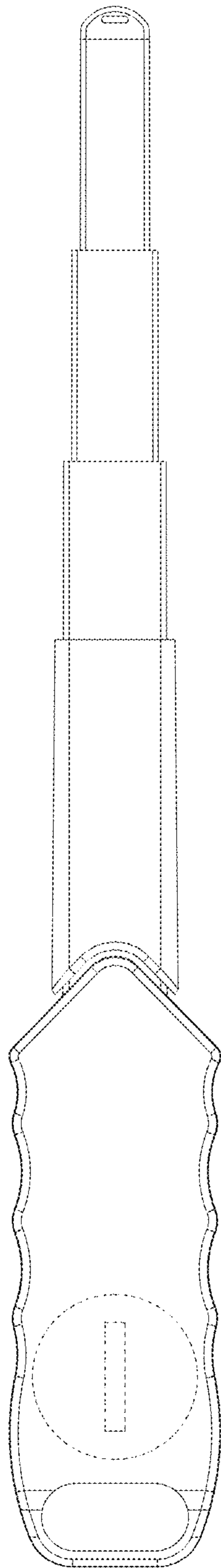


FIG.7