



US00D931120S

(12) **United States Design Patent**
Nie et al.

(10) **Patent No.:** **US D931,120 S**

(45) **Date of Patent:** **** Sep. 21, 2021**

(54) **VIBRATION AND TEMPERATURE
COMPOUND SENSOR**

(71) Applicant: **FATRI (XIAMEN) TECHNOLOGIES
CO., LTD.**, Xiamen (CN)

(72) Inventors: **Yongzhong Nie**, Xiamen (CN);
Tingfang Zeng, Xiamen (CN)

(73) Assignee: **FATRI UNITED TESTING &
CONTROL (QUANZHOU)
TECHNOLOGIES CO., LTD.**,
Quanzhou (CN)

(**) Term: **15 Years**

(21) Appl. No.: **29/712,971**

(22) Filed: **Nov. 13, 2019**

(30) **Foreign Application Priority Data**

May 24, 2019 (CN) 201930260202.3

(51) **LOC (13) Cl.** **10-05**

(52) **U.S. Cl.**
USPC **D10/53**

(58) **Field of Classification Search**
USPC D10/46, 49, 50, 51, 52, 53, 60, 82, 83,
D10/94, 95, 96, 98, 103; D12/42;
D13/103; D14/253; D15/148
CPC ... G01D 11/245; G01H 11/08; H01L 41/1132;
H01L 41/18; F16H 59/72
See application file for complete search history.

(56) **References Cited**

U.S. PATENT DOCUMENTS

6,441,609 B2 * 8/2002 Loibl F16H 59/70
324/207.2
D692,783 S * 11/2013 Yumoto D10/53

D716,672 S * 11/2014 Frivik D10/53
D716,673 S * 11/2014 Frivik D10/53
D882,433 S * 4/2020 Papanagiotou D10/83
2008/0267255 A1 * 10/2008 Fritzer F16H 59/72
374/141
2020/0191647 A1 * 6/2020 Yongzhong G01H 11/08
2020/0326228 A1 * 10/2020 Nie H01L 41/187
2020/0355548 A1 * 11/2020 Yongzhong G01P 15/0915

OTHER PUBLICATIONS

FATRI (Xiamen) Technologies Co Ltd <https://www.fatri.cn/en/sensor0.jsp> May 2019 (Year: 2019).*

* cited by examiner

Primary Examiner — Leanne Was-Englehart

(74) *Attorney, Agent, or Firm* — Schmeiser, Olsen &
Watts, LLP

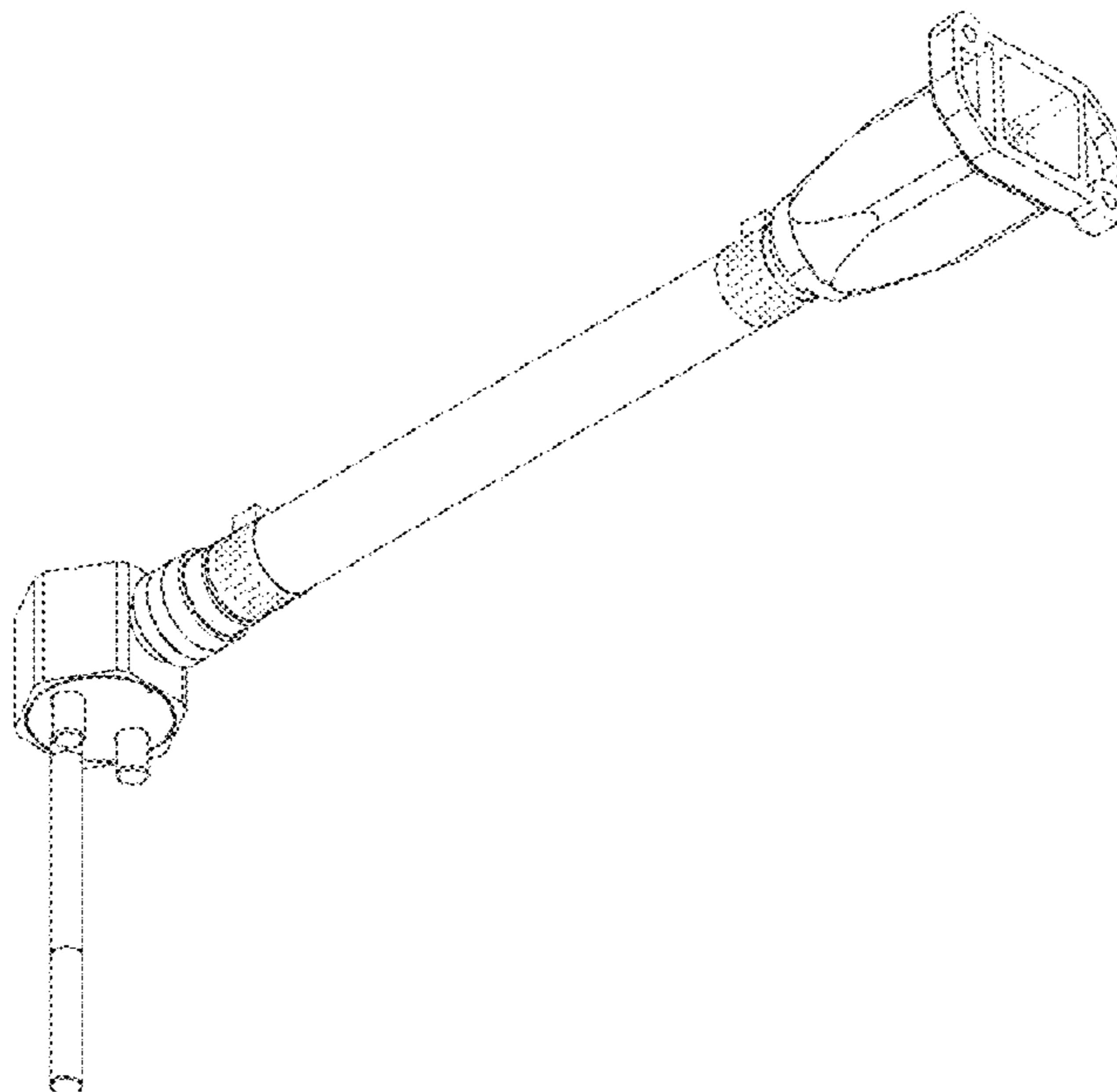
(57) **CLAIM**

The ornamental design for a vibration and temperature compound sensor, as shown and described.

DESCRIPTION

FIG. 1 is a front view of a vibration and temperature compound sensor;
FIG. 2 is a back view thereof;
FIG. 3 is a left view thereof;
FIG. 4 is a right view thereof;
FIG. 5 is a top view thereof;
FIG. 6 is a bottom view thereof; and,
FIG. 7 is a perspective view thereof.
The broken lines depict portions of the vibration and temperature compound sensor that form no part of the claimed design.

1 Claim, 7 Drawing Sheets



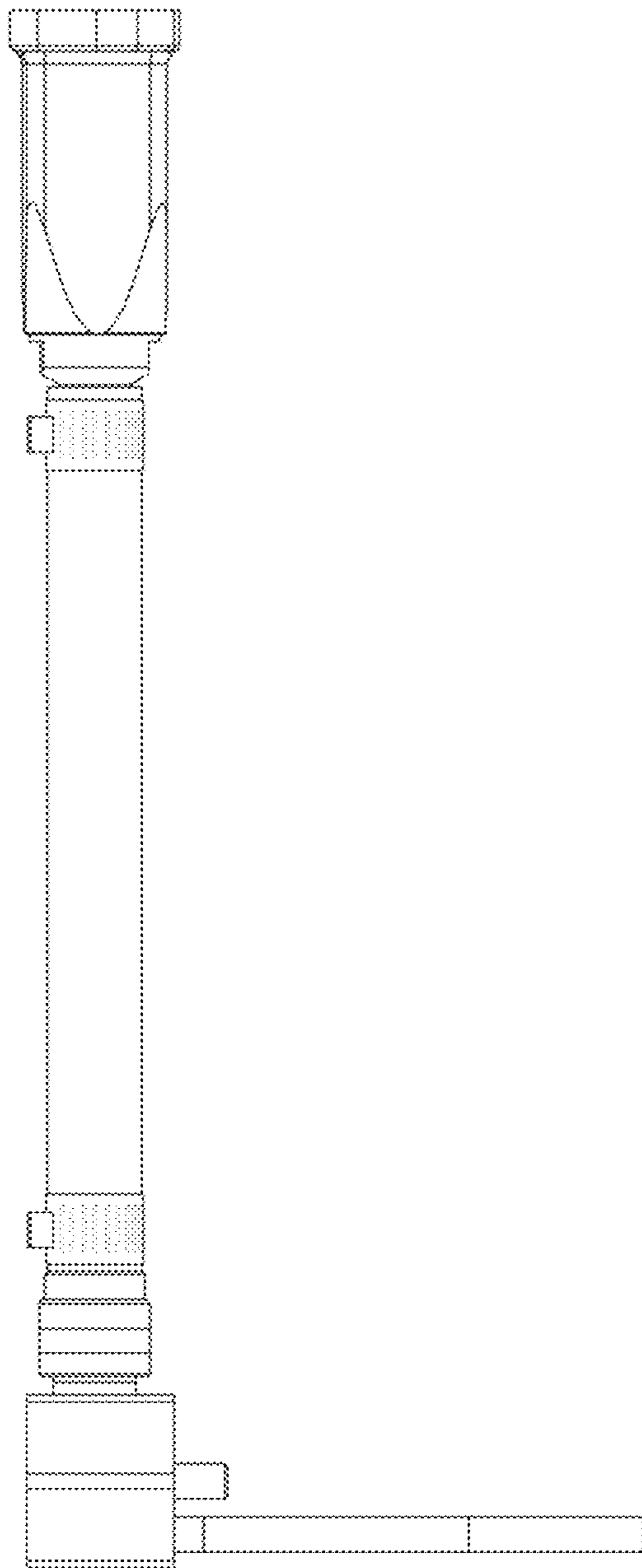


FIG. 1

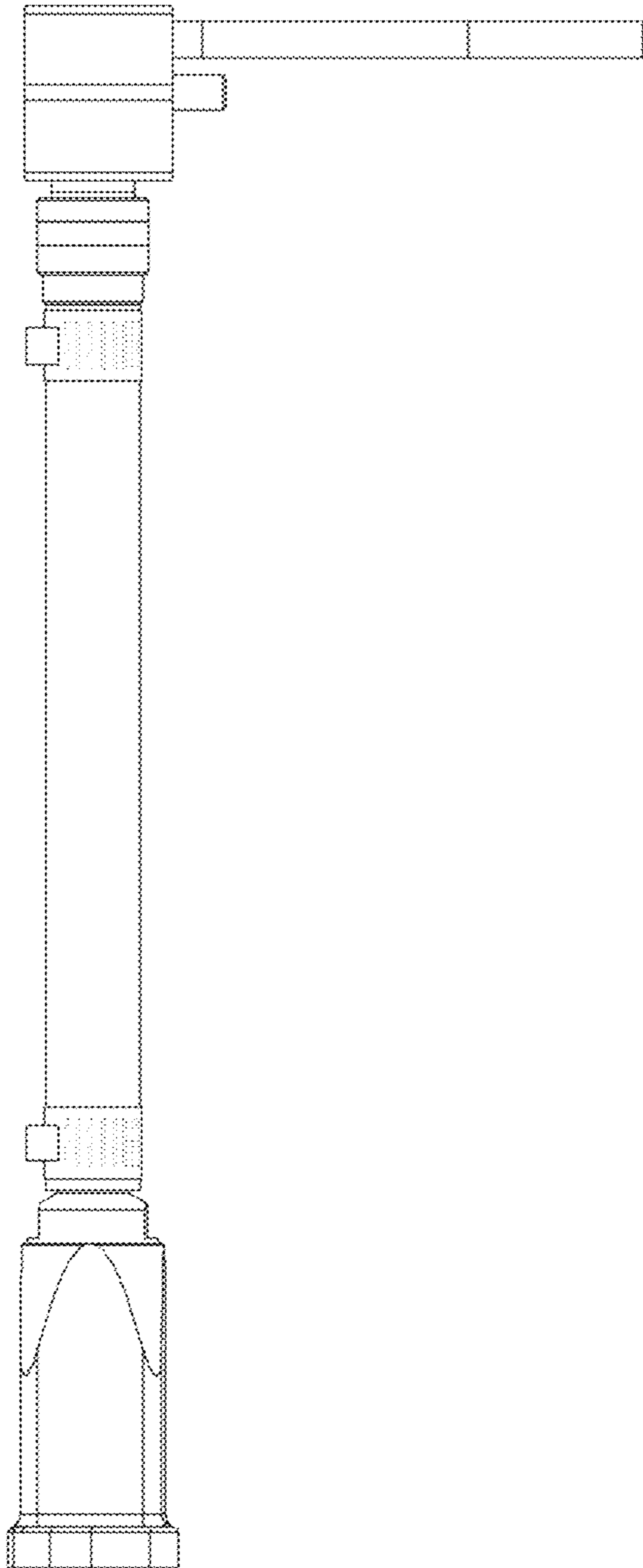


FIG. 2

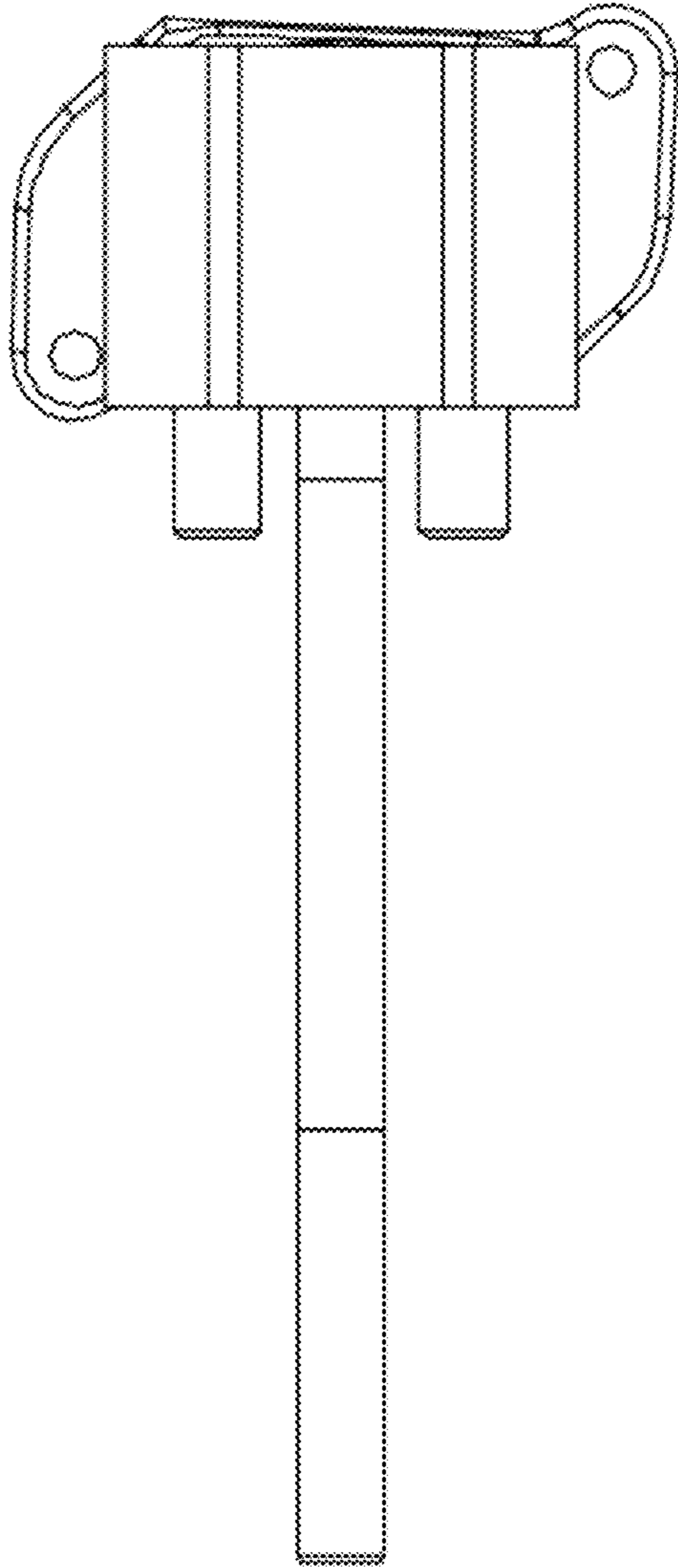


FIG. 3

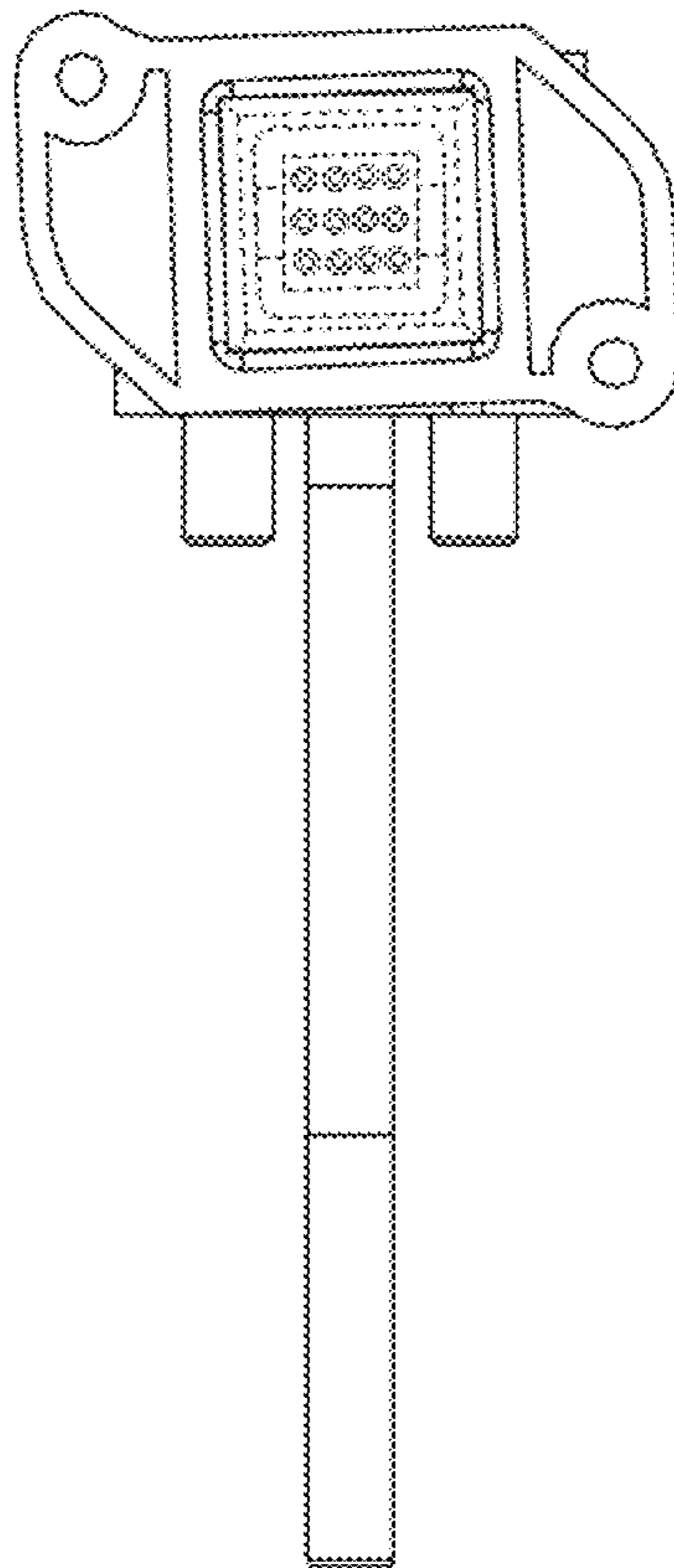


FIG. 4

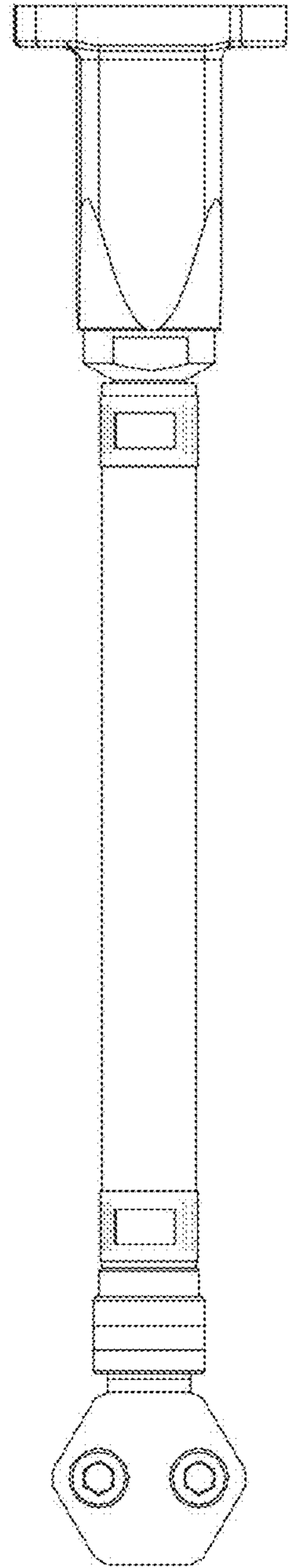


FIG. 5

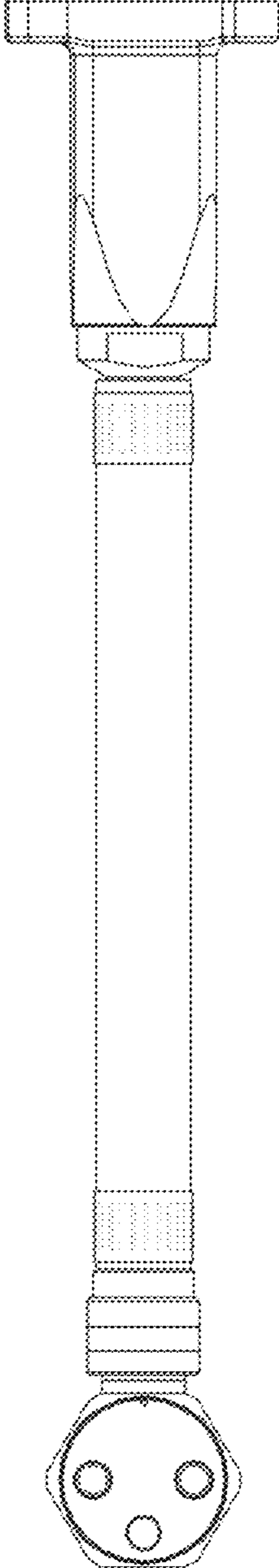


FIG. 6

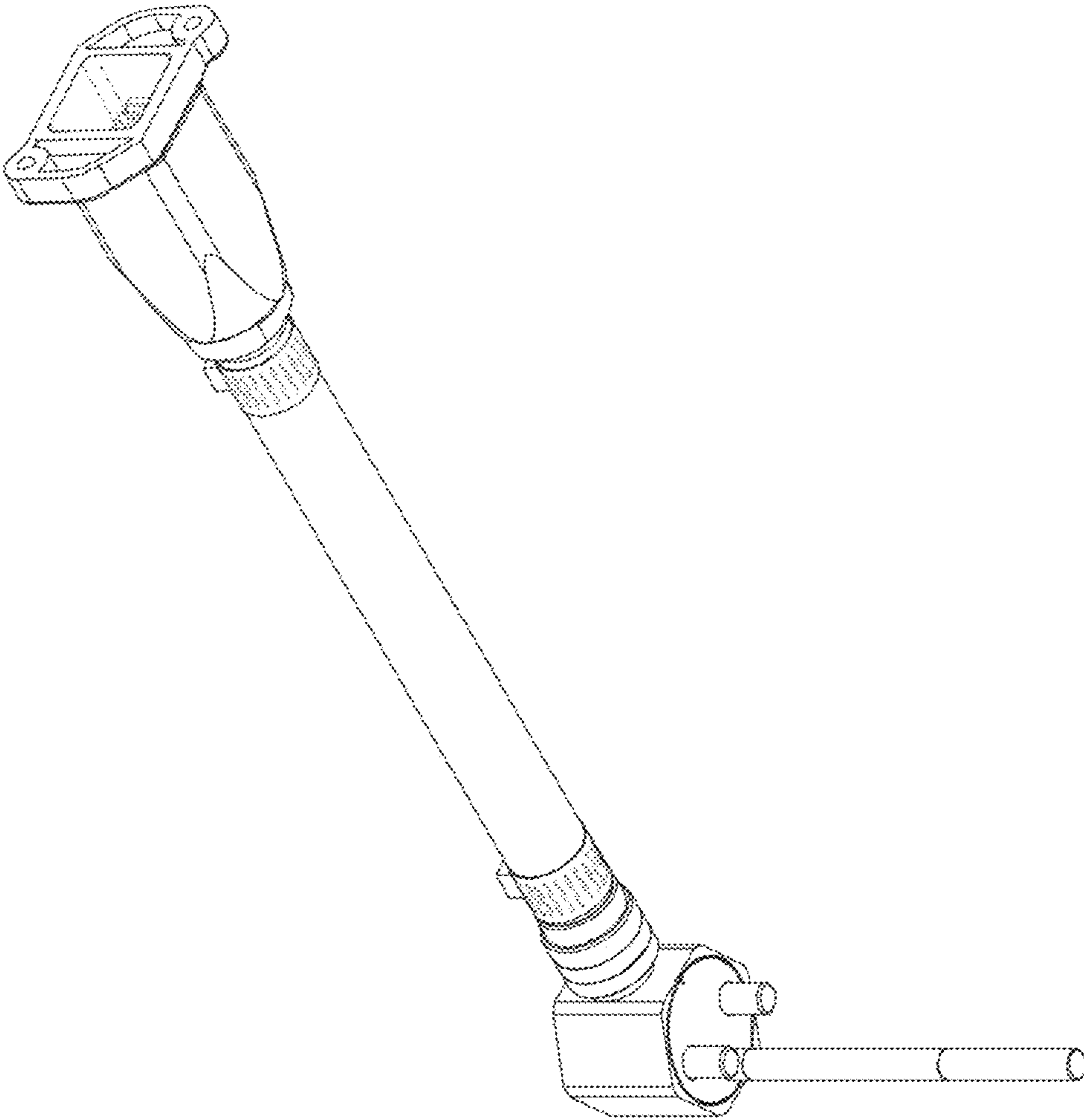


FIG. 7