



US00D931119S

(12) **United States Design Patent** (10) **Patent No.:** **US D931,119 S**  
**Lee et al.** (45) **Date of Patent:** **\*\* Sep. 21, 2021**

(54) **DETECTION APPARATUS**  
(71) Applicant: **Wistron Corporation**, New Taipei (TW)  
(72) Inventors: **Wei-Kuo Lee**, New Taipei (TW); **Chih-Chung Tai**, New Taipei (TW)  
(73) Assignee: **Wistron Corporation**, New Taipei (TW)  
(\*\*) Term: **15 Years**

D775,363 S \* 12/2016 Chang ..... D24/216  
D797,711 S \* 9/2017 Chui ..... D14/240  
D813,230 S \* 3/2018 Koo ..... D14/358  
D818,991 S \* 5/2018 Zhang ..... D14/216  
D819,461 S \* 6/2018 Alla ..... D10/57  
D854,518 S \* 7/2019 Zhang ..... D14/218  
D865,551 S \* 11/2019 Tabata ..... D10/83  
D871,607 S \* 12/2019 Williams ..... D24/224  
D875,571 S \* 2/2020 Hernandez ..... D10/52  
D876,375 S \* 2/2020 Petty ..... D14/125  
D889,634 S \* 7/2020 Tuononen ..... D24/107  
D908,884 S \* 1/2021 Yamakawa ..... D24/169  
D922,603 S \* 6/2021 Fang ..... D24/216  
2018/0369802 A1\* 12/2018 Douglas ..... B01L 1/04

(21) Appl. No.: **29/719,967**

\* cited by examiner

(22) Filed: **Jan. 8, 2020**

*Primary Examiner* — Katherine Glennon

(30) **Foreign Application Priority Data**

(74) *Attorney, Agent, or Firm* — Winston Hsu

Nov. 5, 2019 (TW) ..... 108306820

(51) **LOC (13) Cl.** ..... **10-05**

(57) **CLAIM**

The ornamental design for a detection apparatus, as shown and described.

(52) **U.S. Cl.**

USPC ..... **D10/46; D24/232**

**DESCRIPTION**

(58) **Field of Classification Search**

USPC ..... D10/46, 47, 49, 70, 75, 81, 104.1, D10/106.1–106.6; D24/107, 186, 216, D24/232, 233

CPC ..... C12M 1/34; C12M 23/00; C12M 23/52; C12M 23/54; B01L 1/00

See application file for complete search history.

FIG. 1 is a top, front, and left side perspective view for a detection apparatus showing our new design;  
FIG. 2 is a bottom, rear, and right side perspective view thereof;  
FIG. 3 is a front elevation view thereof;  
FIG. 4 is a rear elevation view thereof;  
FIG. 5 is a left side elevation view thereof;  
FIG. 6 is a right side elevation view thereof;  
FIG. 7 is a top plan view thereof; and,  
FIG. 8 is a bottom plan view thereof.

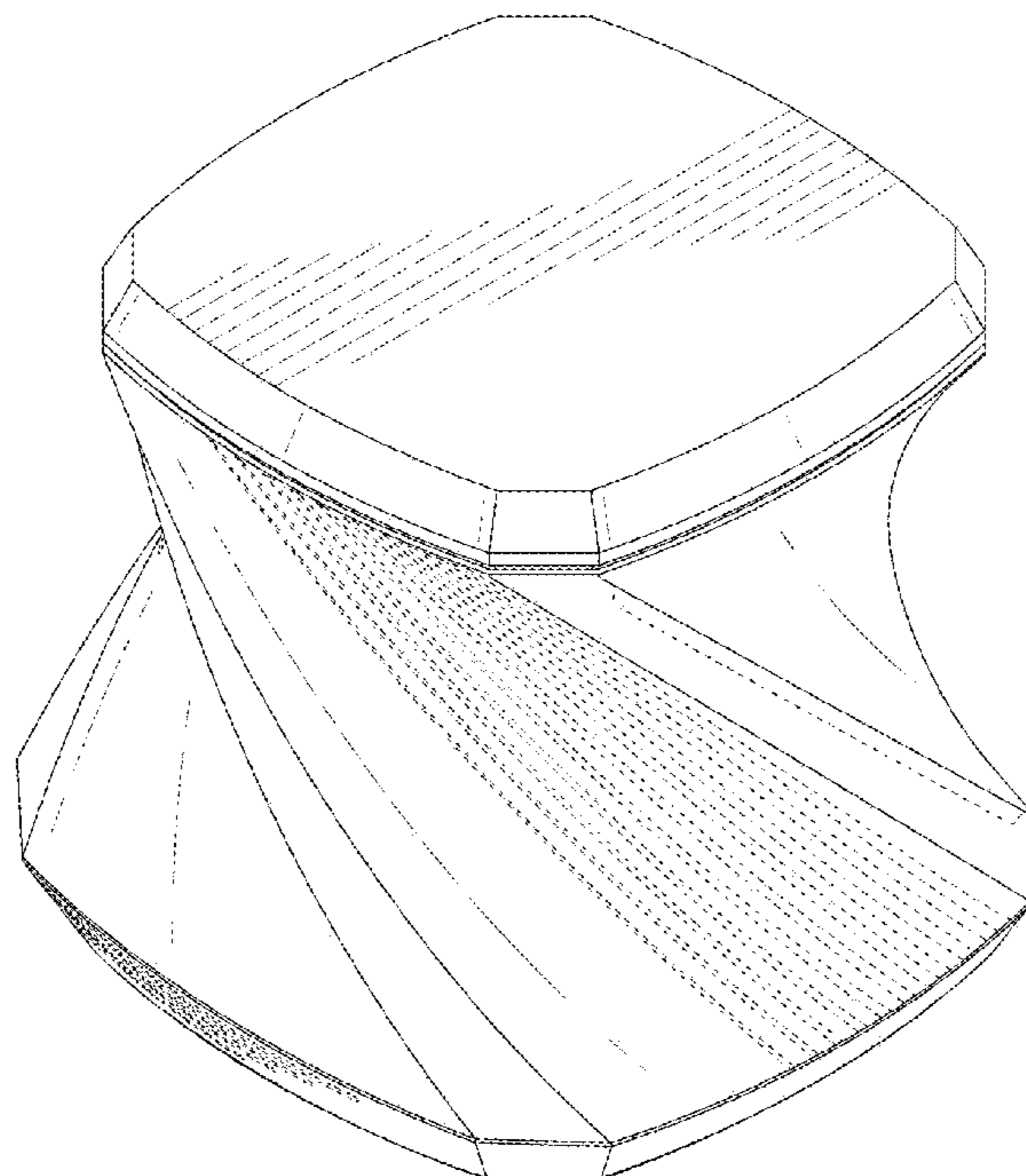
(56) **References Cited**

**U.S. PATENT DOCUMENTS**

D259,786 S \* 7/1981 Leeson ..... D14/242  
D455,166 S \* 4/2002 Raad ..... D10/104.1  
D744,977 S \* 12/2015 Wagner ..... D14/204  
D753,812 S \* 4/2016 Salmon ..... D24/110

The broken lines depict portions of the detection apparatus that form no part of the claimed design.

**1 Claim, 8 Drawing Sheets**



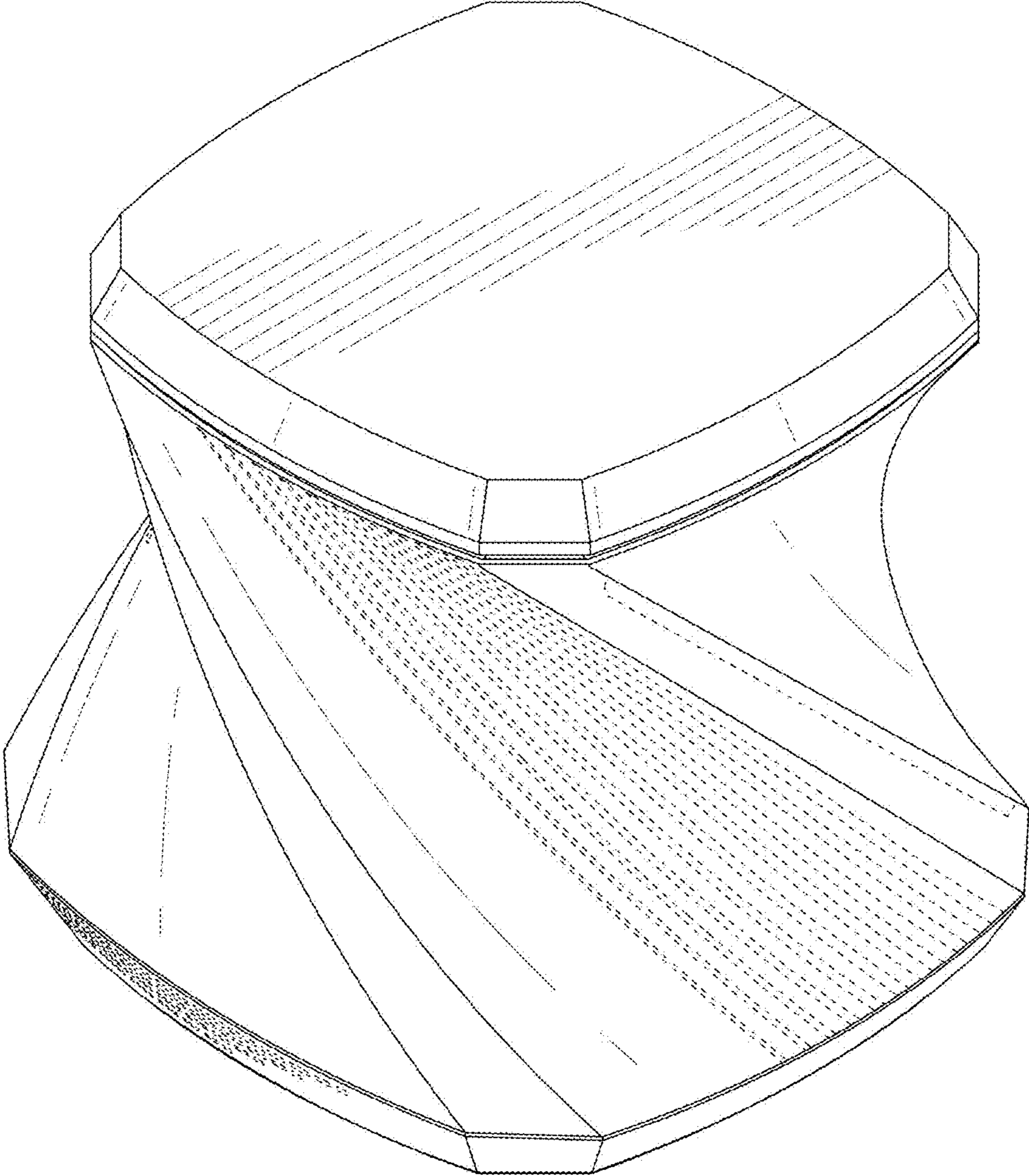


FIG. 1

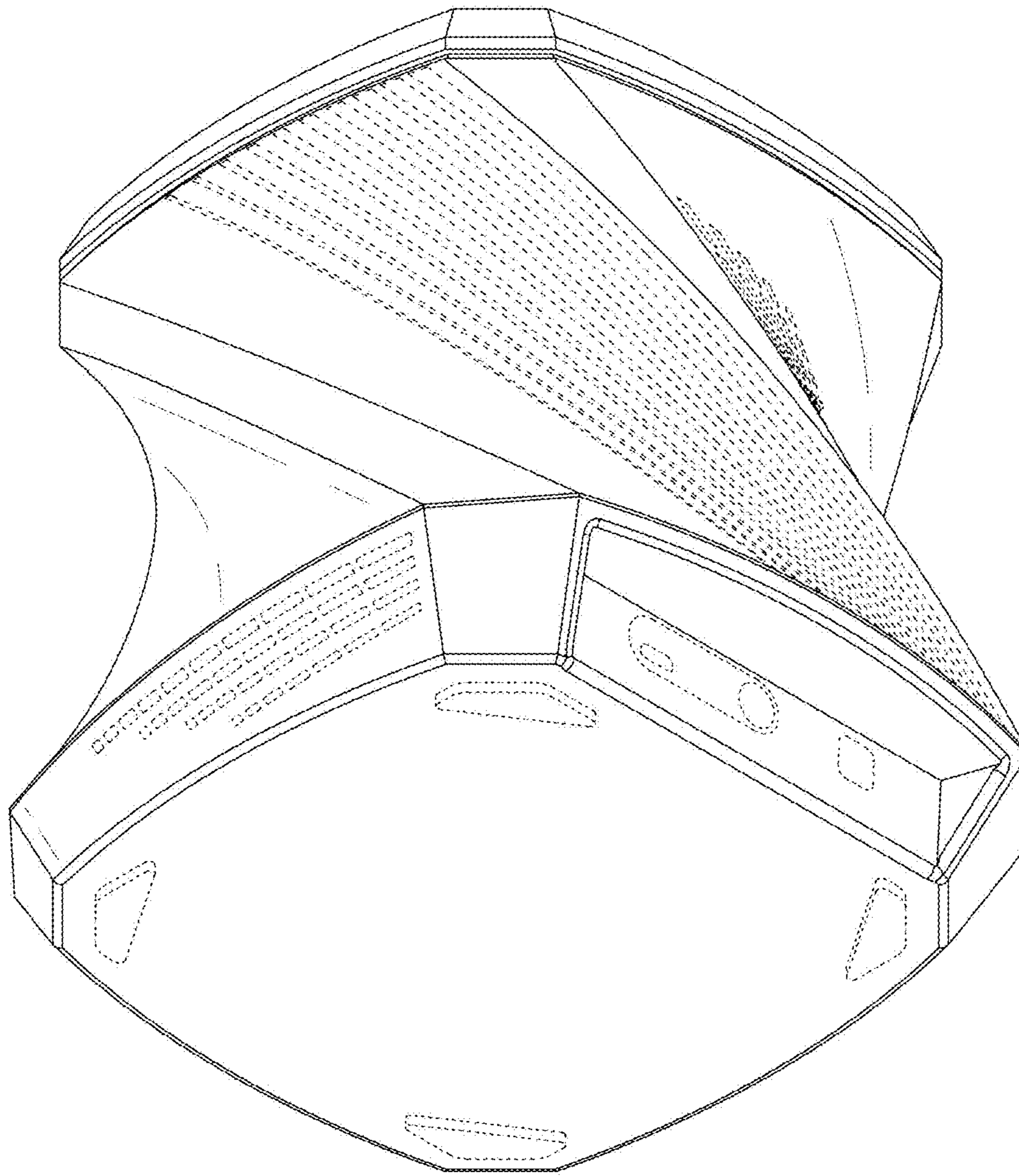


FIG. 2



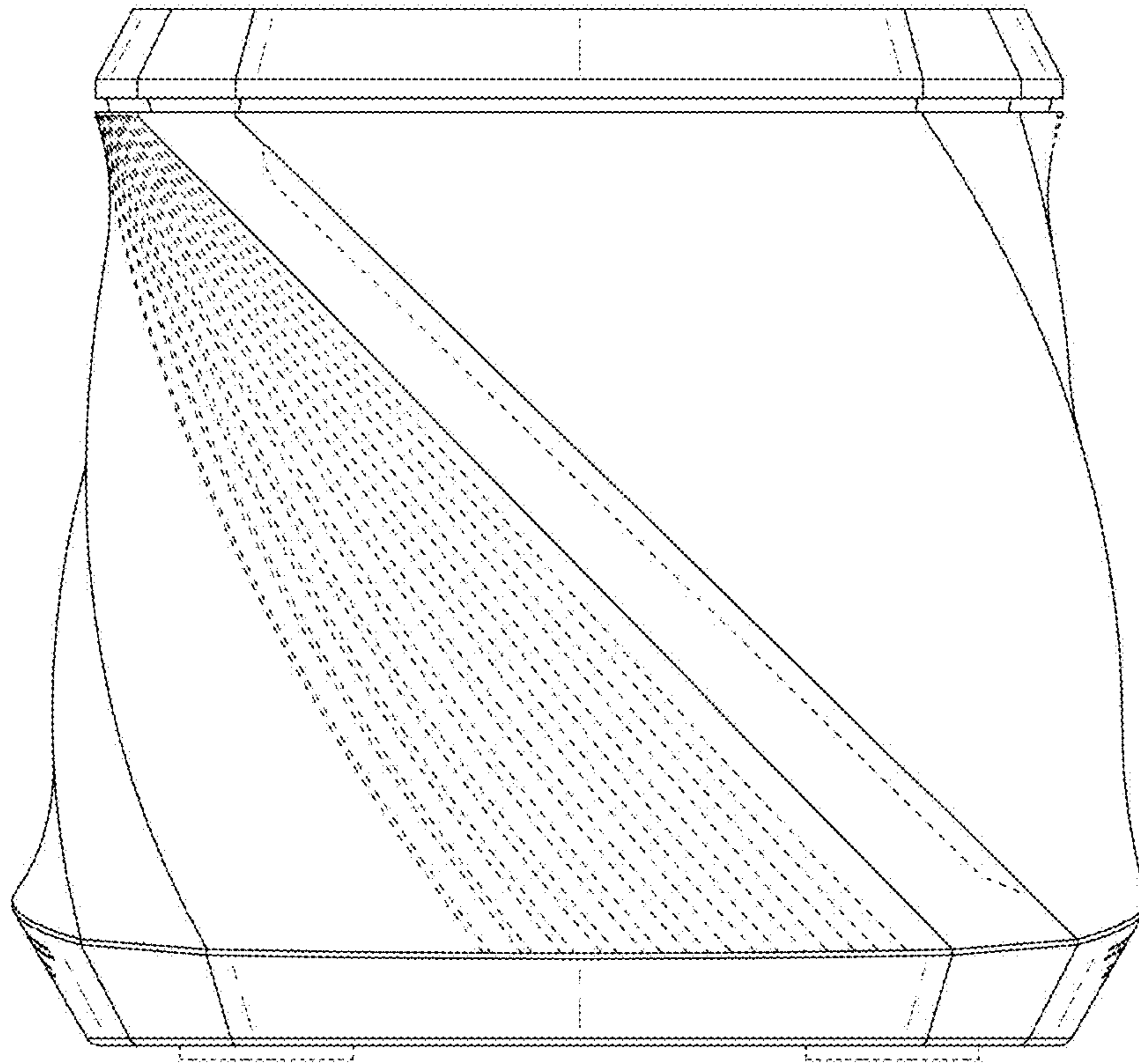


FIG. 3

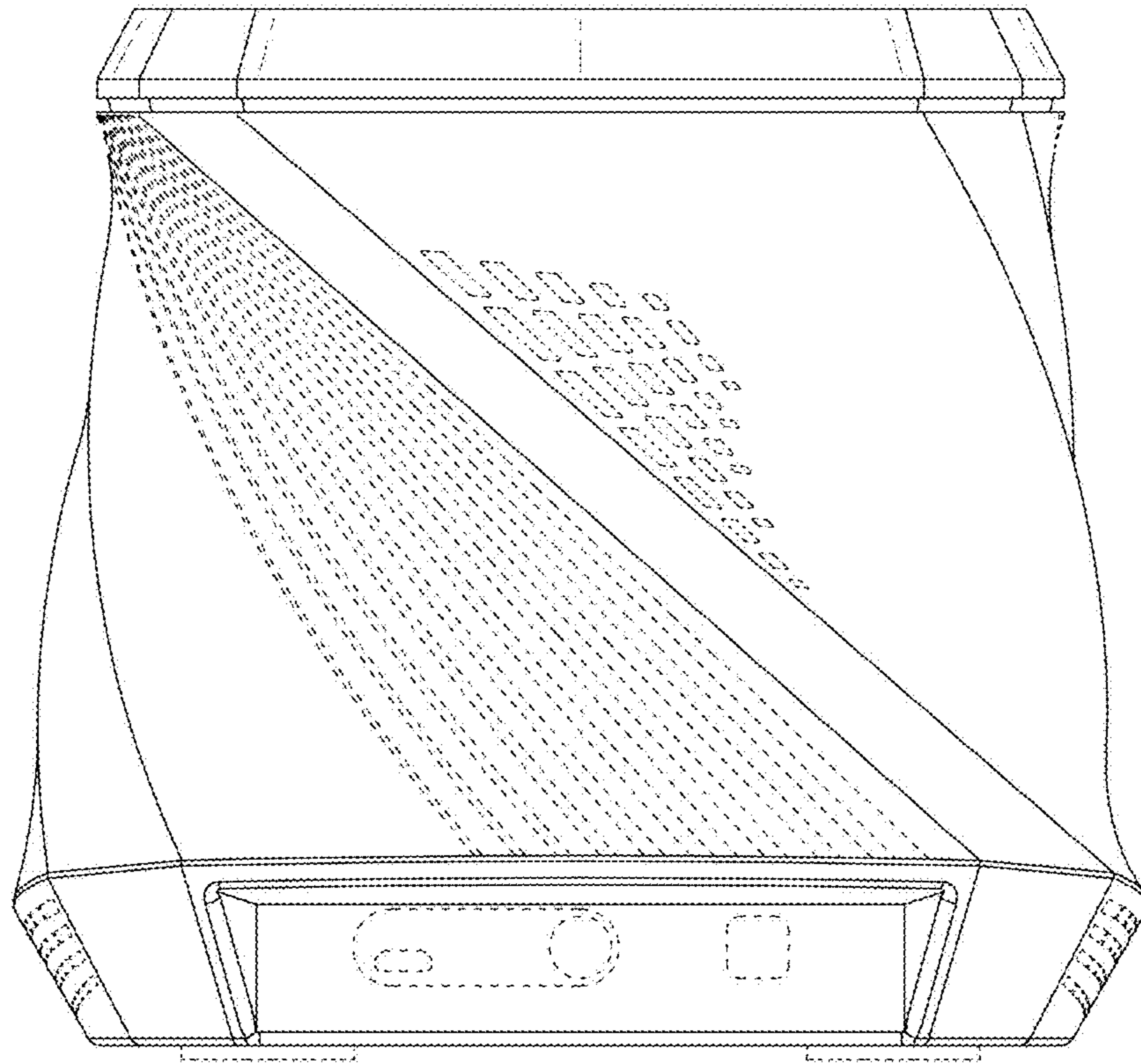


FIG. 4

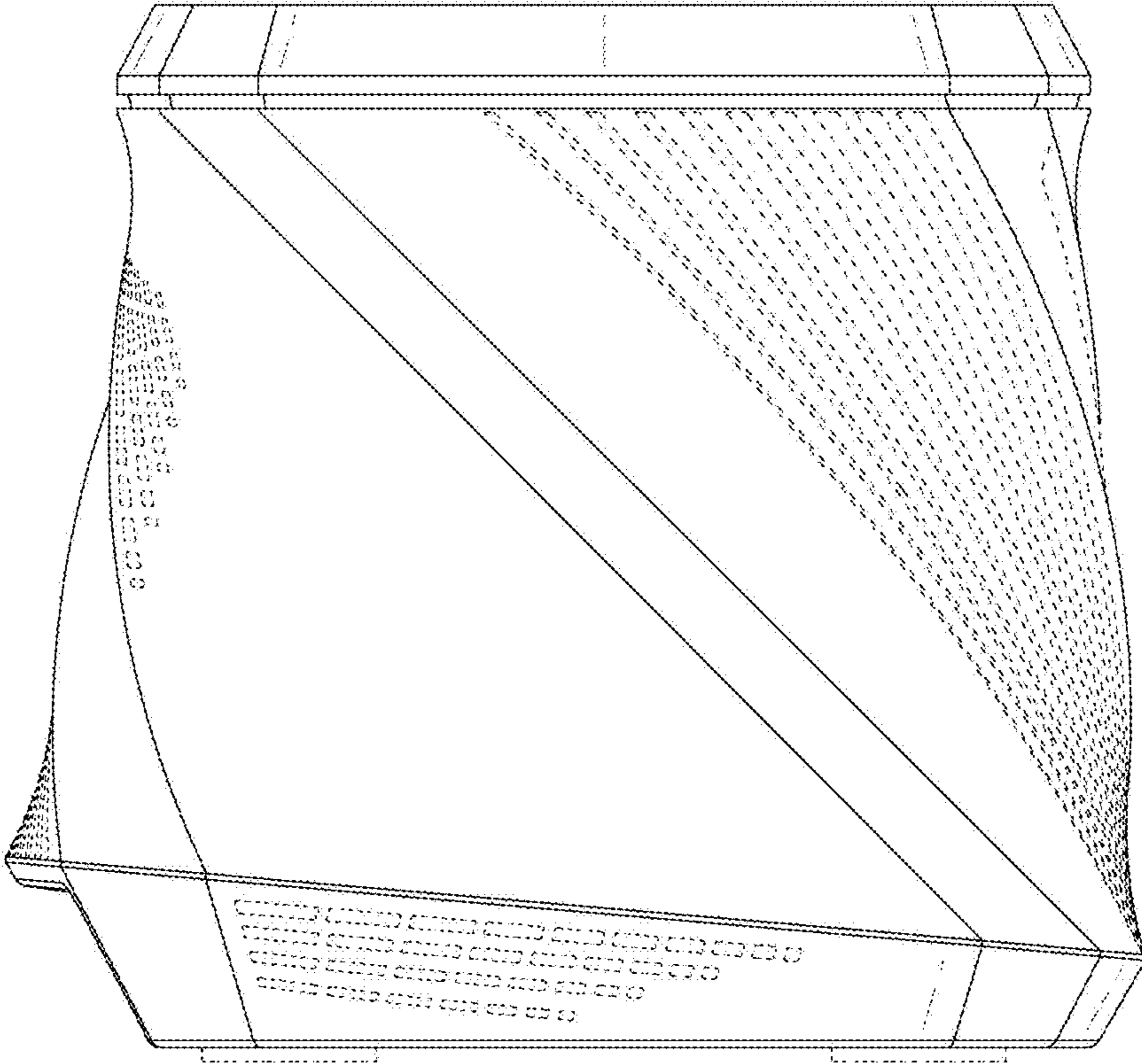


FIG. 5

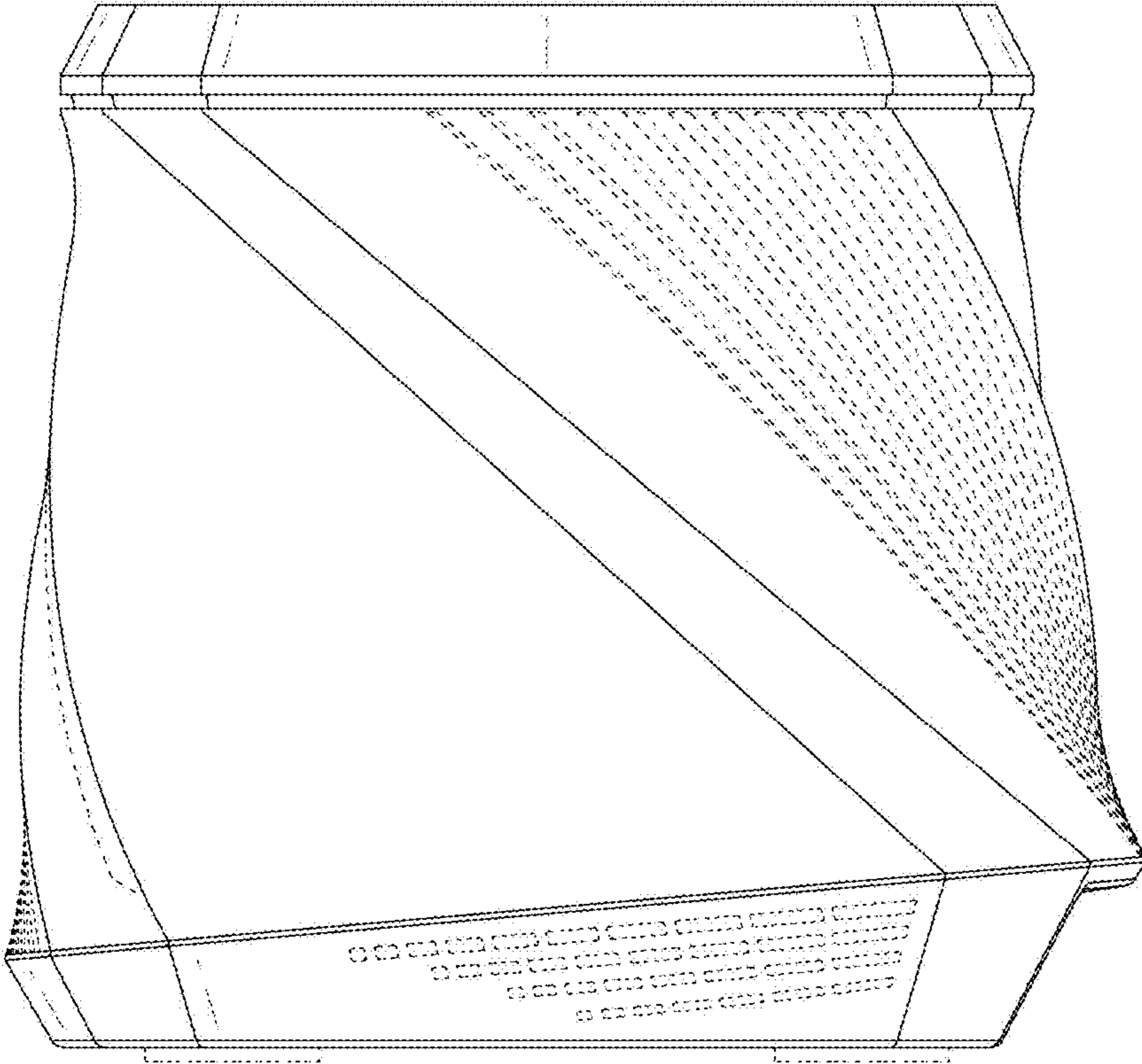


FIG. 6

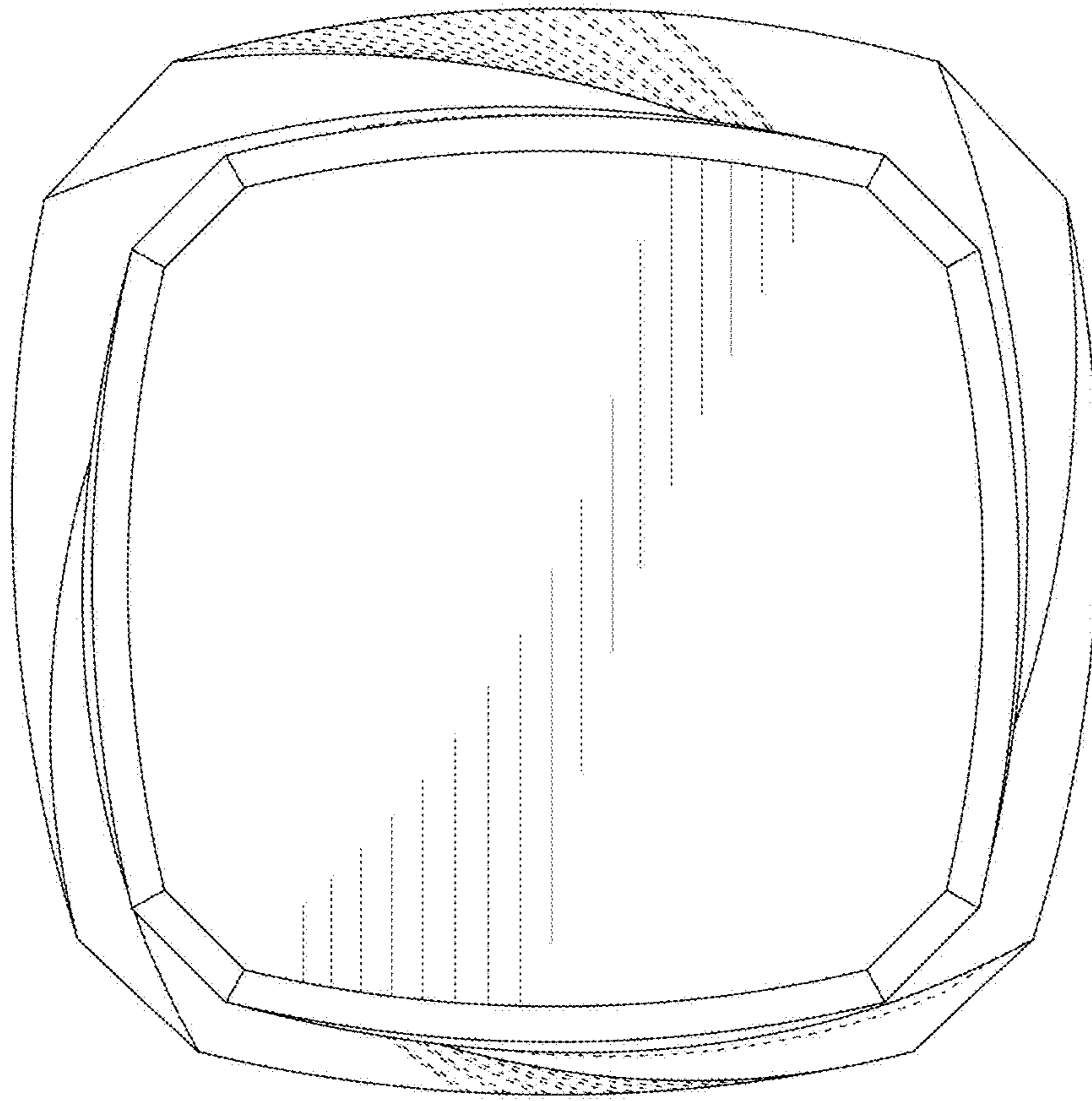


FIG. 7



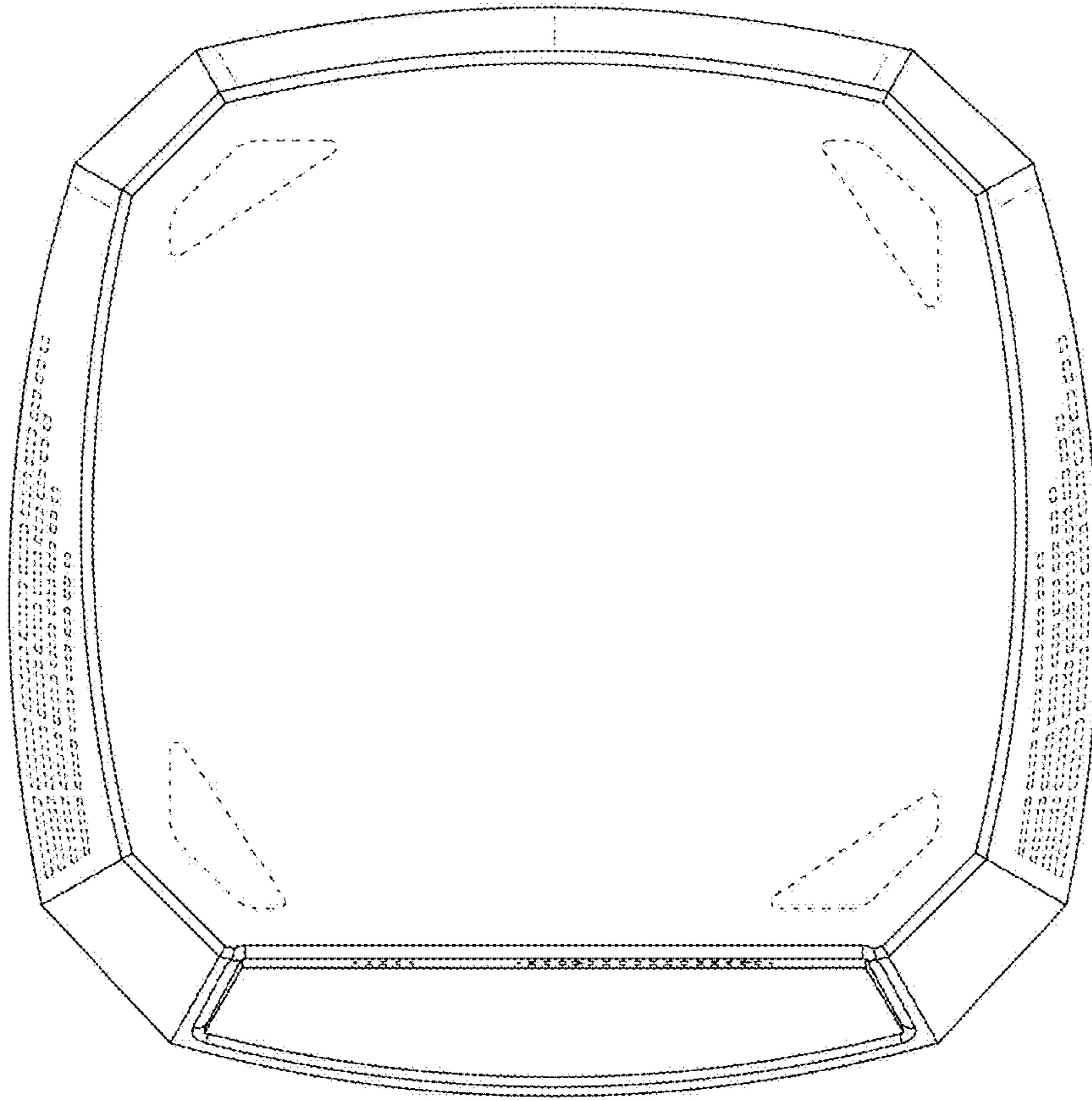


FIG. 8