



US00D931117S

(12) **United States Design Patent** (10) **Patent No.:** **US D931,117 S**
Vallone et al. (45) **Date of Patent:** **** Sep. 21, 2021**

- (54) **WATCH CASE**
- (71) Applicant: **TISSOT LTD**, Le Locle (CH)
- (72) Inventors: **Lorenzo Vallone**, Veyrier (CH); **Laurie Saunders**, Le Locle (CH)
- (73) Assignee: **Tissot LTD**, Le Locle (CH)
- (**) Term: **15 Years**
- (21) Appl. No.: **29/718,401**
- (22) Filed: **Dec. 24, 2019**
- (30) **Foreign Application Priority Data**

- Jun. 28, 2019 (WO) 85027
- (51) **LOC (13) Cl.** **10-02**
- (52) **U.S. Cl.**
USPC **D10/38**
- (58) **Field of Classification Search**
USPC D10/30-39, 65, 70, 97-98, 121-132;
D14/344
CPC G04B 19/00; G04B 19/046; G04B 19/065;
G04B 19/10; G04B 19/12; G04B 19/18;
G04B 19/22; G04B 19/223; G04B
19/243; G04B 19/24306; G04B 19/28;
G04B 19/283; G04B 19/286; G04B
37/00; G04B 37/0008; G04B 37/0058;
G04B 37/005; G04B 37/12; G04B 39/00;
G04B 45/00; G04B 45/0069; G04B
45/0076; G04B 47/06; G04B 47/061;
G04B 47/063; G04B 47/065; G04B
47/066; G04B 47/068; G04B 47/042;
G04B 19/26; G04B 19/262; G04B
19/266; G04B 19/268; G04G 19/06
See application file for complete search history.

(56) **References Cited**
U.S. PATENT DOCUMENTS

- D349,250 S * 8/1994 Moriai D10/30
- D349,251 S * 8/1994 Goto D10/30

- D359,916 S * 7/1995 Iida D10/32
- D363,883 S * 11/1995 Maehara D10/39
- D365,028 S * 12/1995 Tonohori D10/30
- D386,437 S * 11/1997 Sang D10/122
- D398,544 S * 9/1998 Lai D10/31
- D444,717 S * 7/2001 Robert D10/32
- D470,776 S * 2/2003 Blondin D10/30
- D540,698 S * 4/2007 Tomimatsu D10/38
- D705,669 S * 5/2014 Emmenegger D10/32
- D720,240 S * 12/2014 Takahashi D10/39
- 9,483,024 B2 * 11/2016 Goyet G04B 47/046
- D847,662 S * 5/2019 Ciobanu D10/30
- D852,062 S * 6/2019 Kurt D10/39
- D868,598 S * 12/2019 Gurtner D10/39
- D881,724 S * 4/2020 Charrier D10/39
- 2011/0113599 A1 * 5/2011 Ehram A44C 5/14
24/573.11
- 2017/0123377 A1 * 5/2017 Tschumi G04B 27/02

* cited by examiner

Primary Examiner — Katherine Glennon

(74) *Attorney, Agent, or Firm* — Blank Rome LLP

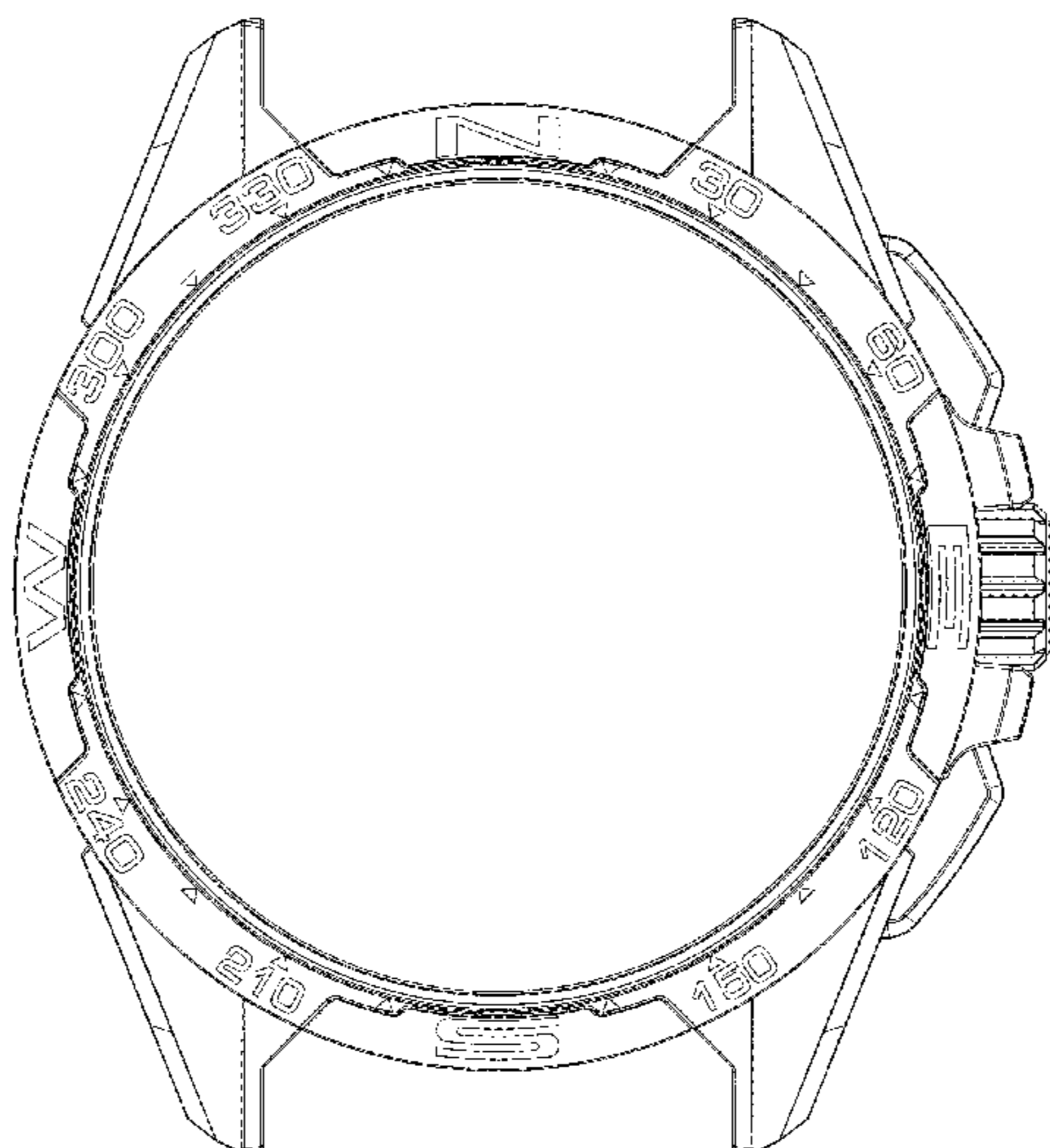
(57) **CLAIM**

The ornamental design for a watch case, as shown and described.

DESCRIPTION

FIG. 1 is a front view of a watch case of the present design;
 FIG. 2 is a rear view thereof;
 FIG. 3 is a bottom view thereof;
 FIG. 4 is a top view thereof;
 FIG. 5 is a right side view thereof;
 FIG. 6 is a left side thereof; and,
 FIG. 7 is a front perspective view thereof.
 Portions of the watch case shown in broken lines form no part of the claimed design.

1 Claim, 7 Drawing Sheets



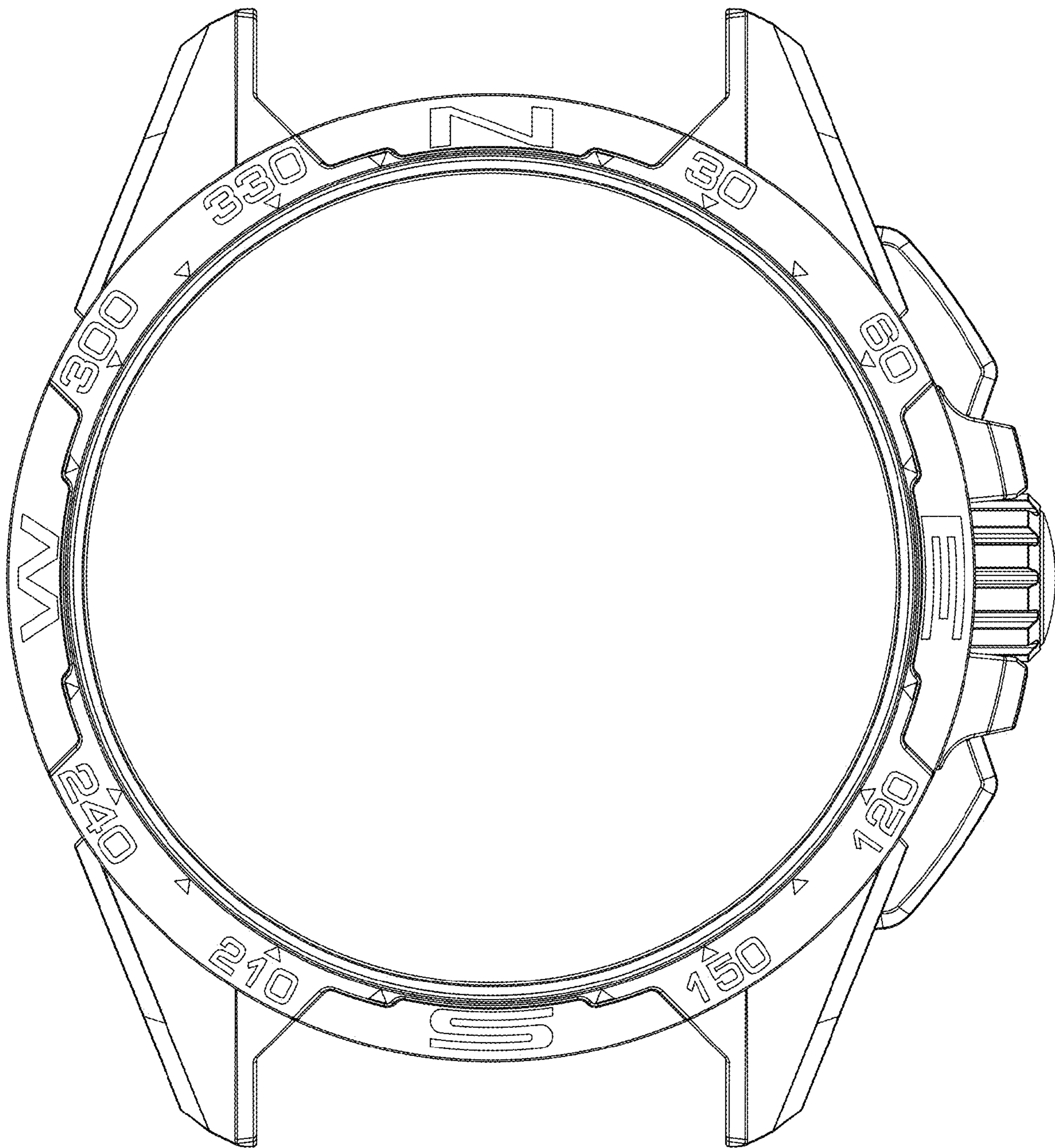


FIG. 1

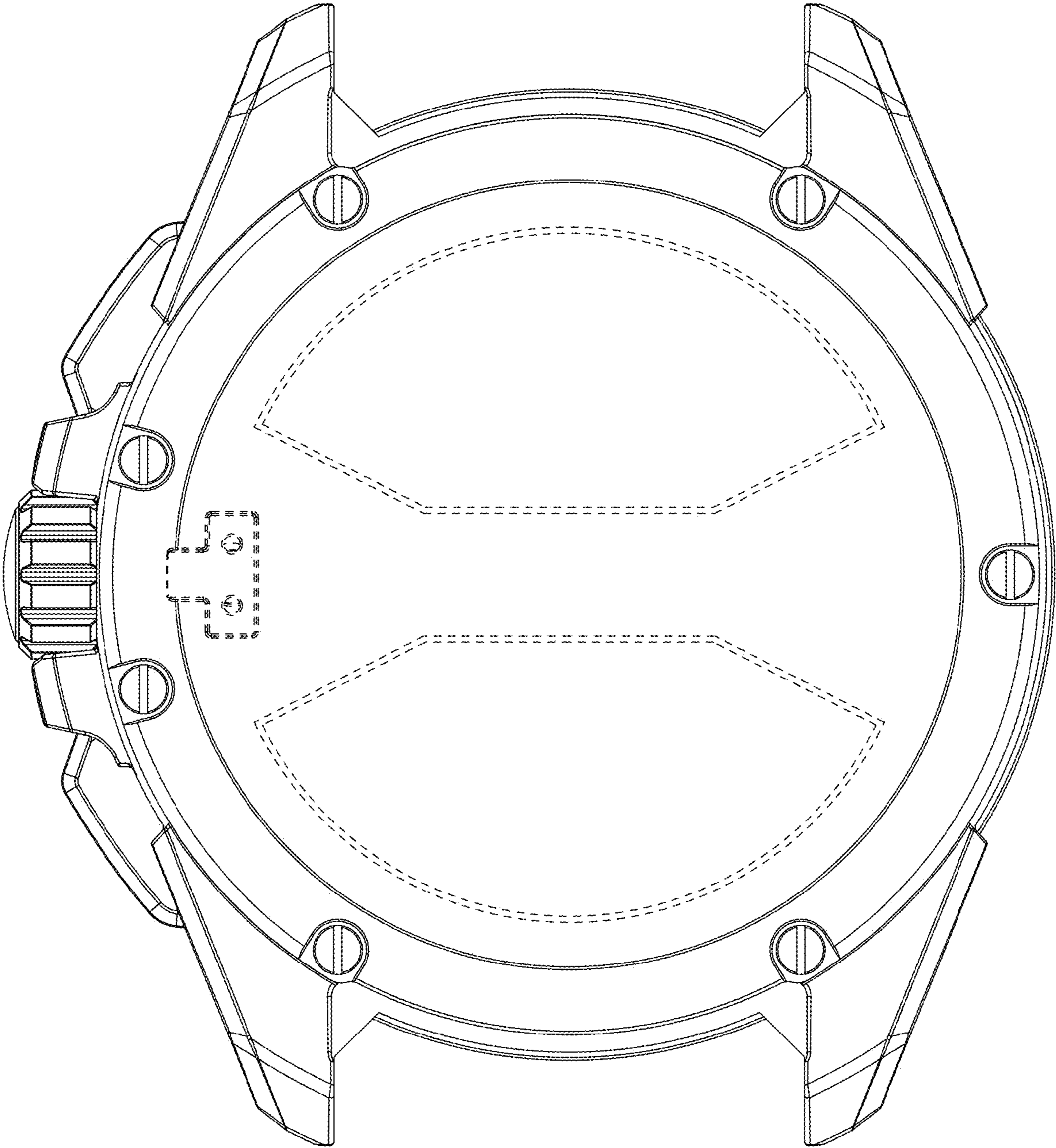


FIG. 2

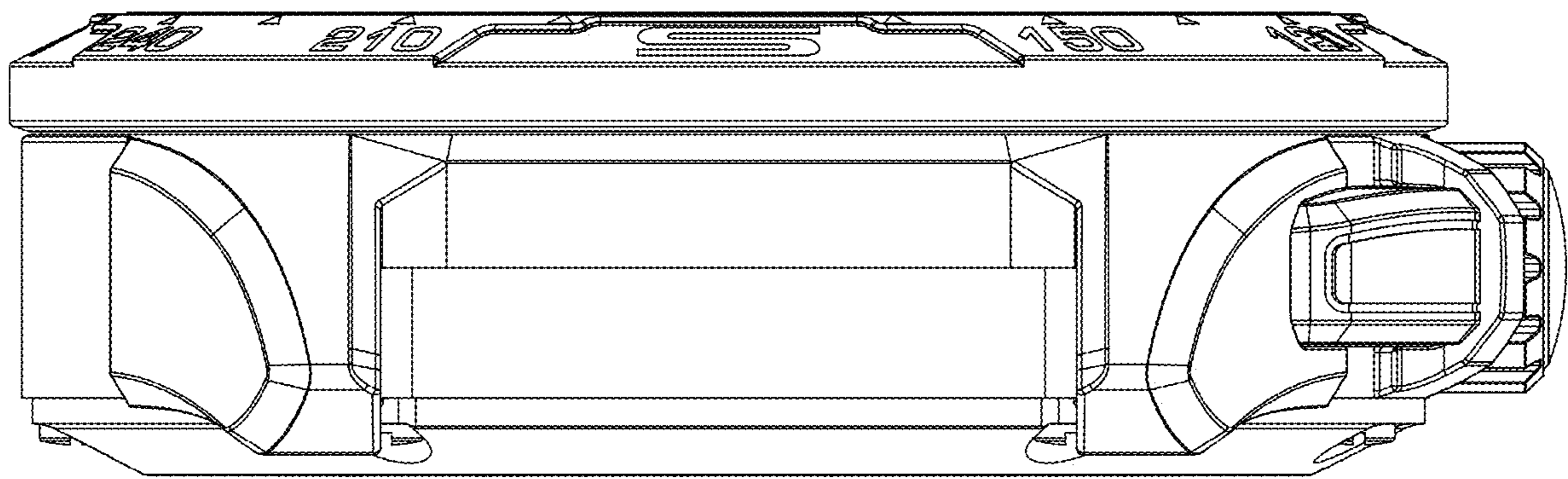


FIG. 3

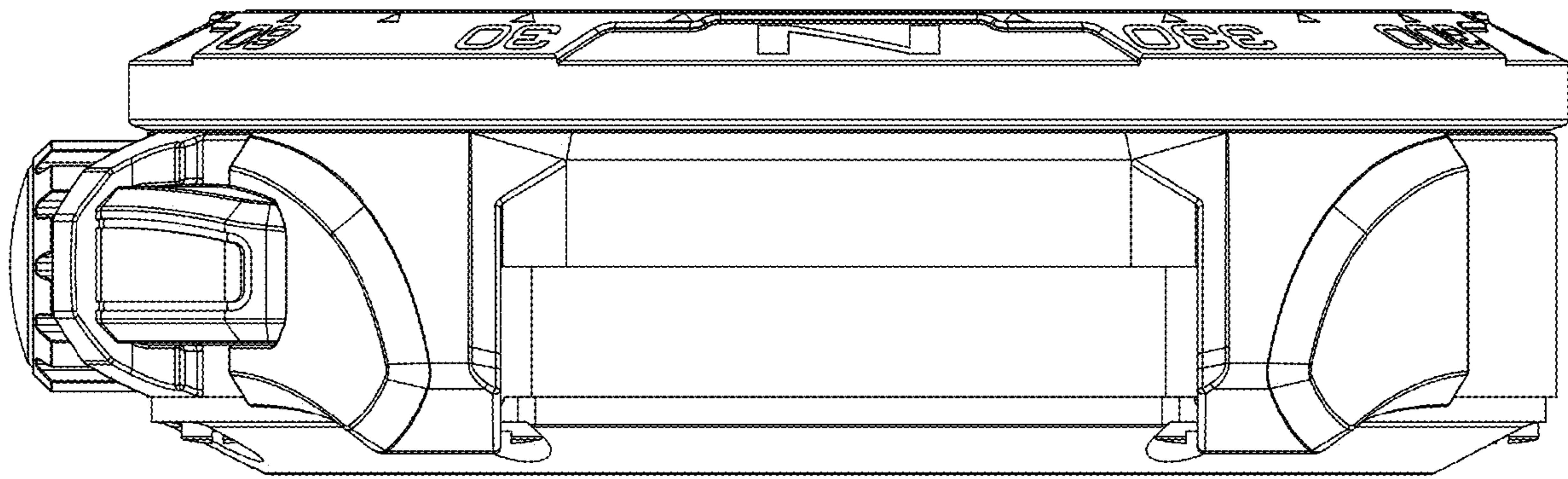


FIG. 4

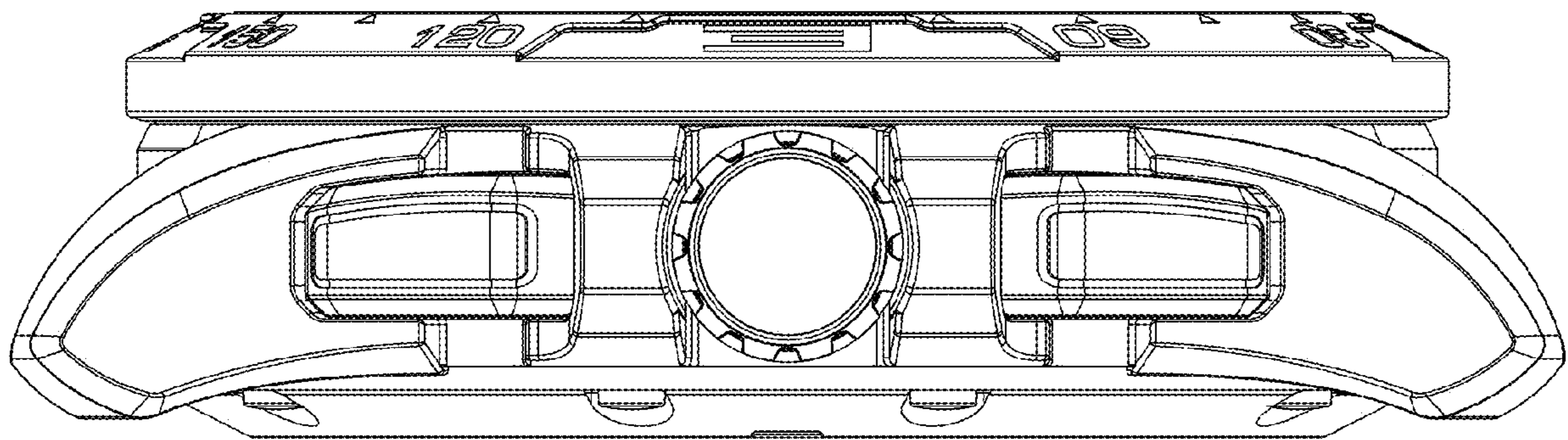


FIG. 5

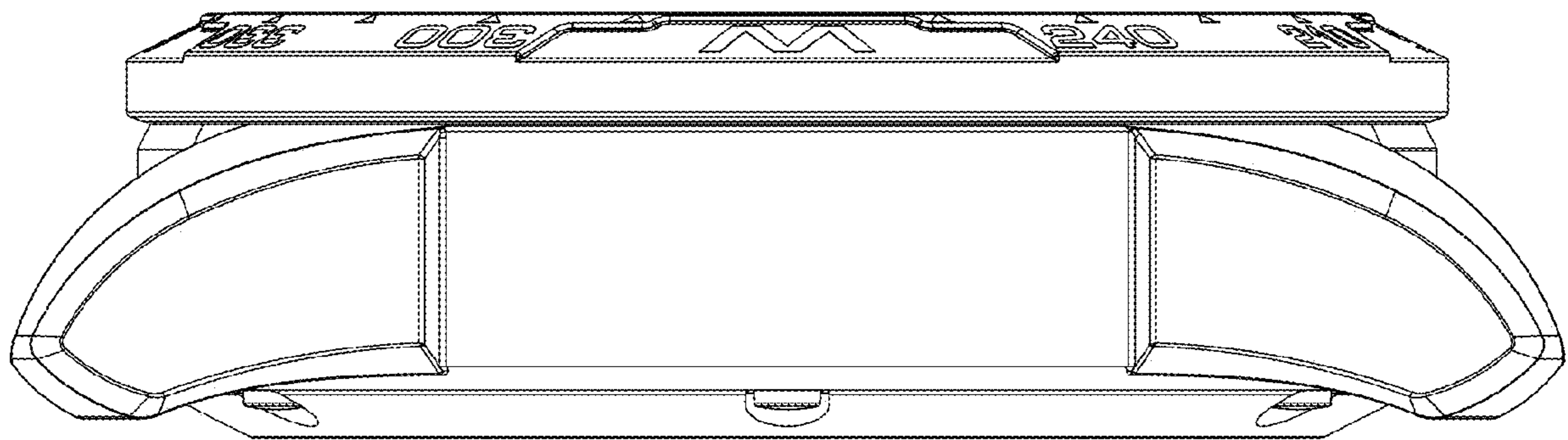


FIG. 6

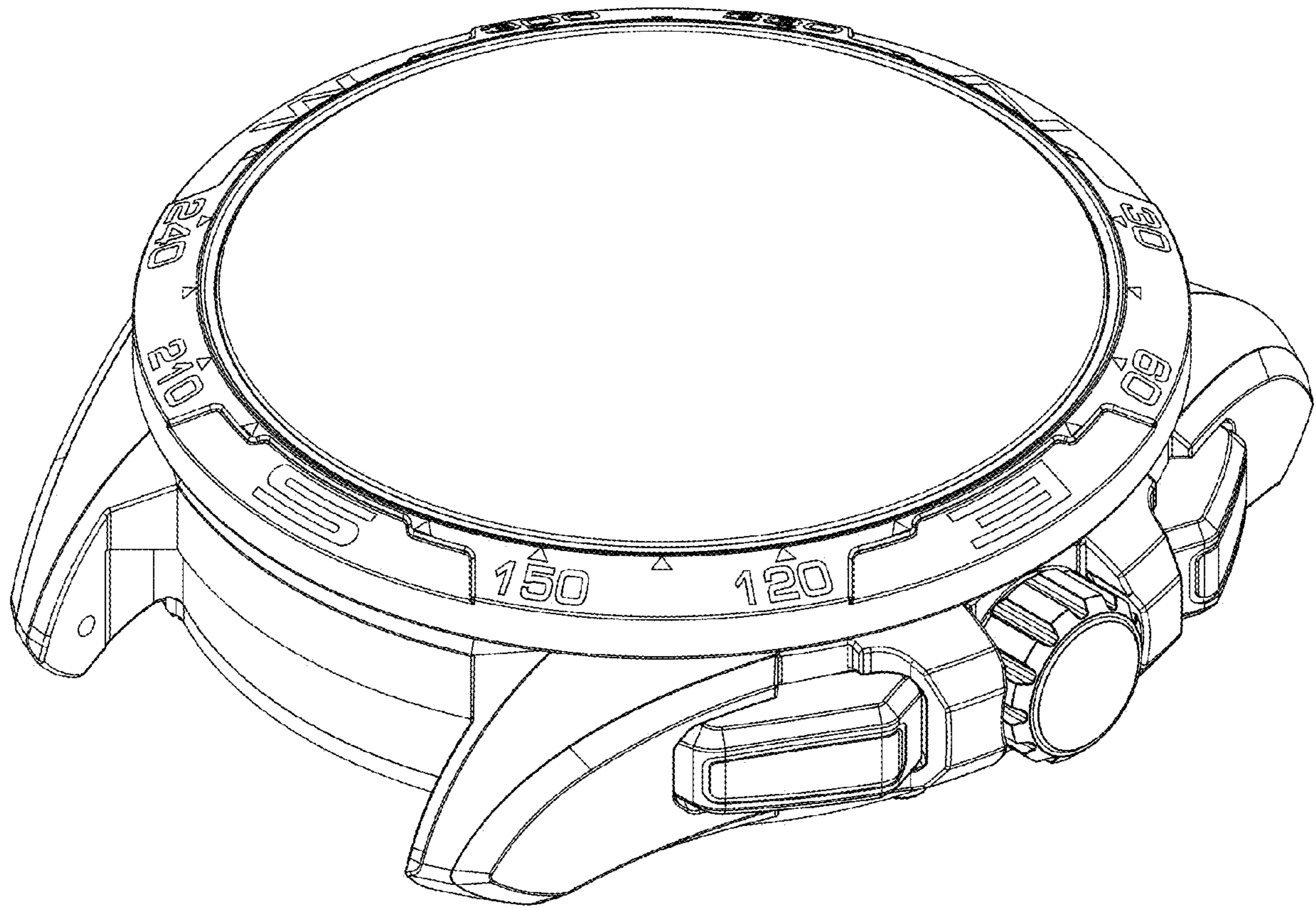


FIG. 7