



US00D931109S

(12) **United States Design Patent**
Breen

(10) **Patent No.:** **US D931,109 S**

(45) **Date of Patent:** **** Sep. 21, 2021**

(54) **BOTTLE**

(71) Applicant: **Conopco, Inc.**, Englewood Cliffs, NJ
(US)

(72) Inventor: **Liam Martin Breen**, Wallasey (GB)

(73) Assignee: **Conopco Inc.**, Englewood Cliffs, NJ
(US)

(**) Term: **15 Years**

(21) Appl. No.: **29/758,864**

(22) Filed: **Nov. 19, 2020**

(30) **Foreign Application Priority Data**

Sep. 21, 2020 (EM) 008177398-0002

(51) **LOC (13) Cl.** **09-01**

(52) **U.S. Cl.**
USPC **D9/543; D9/550; D9/563; D9/571;**
D9/575

(58) **Field of Classification Search**

USPC D9/434, 516, 523, 528, 530–531,
D9/542–543, 549–550, 552, 563, 565,
D9/571, 575, 685, 715, 719
CPC B65D 1/00; B65D 1/02; B65D 1/0223;
B65D 2501/00; B65D 2501/0009; B65D
2501/0081

See application file for complete search history.

(56) **References Cited**

U.S. PATENT DOCUMENTS

D210,271 S * 2/1968 Sterges D9/543
D211,002 S * 5/1968 Vanderhyde D9/530

D228,382 S * 9/1973 Sterges D9/543
D253,630 S * 12/1979 McCredie D9/543
D347,790 S * 6/1994 Lathrop D9/523
D388,330 S * 12/1997 Zimmer D9/543
D440,159 S * 4/2001 Guislain D9/543
D518,376 S * 4/2006 Floyd D9/434
D524,660 S * 7/2006 Floyd D9/528
D651,092 S * 12/2011 Bowers D9/540
D732,966 S * 6/2015 Davis D9/531
D759,495 S * 6/2016 Hawry D9/565
D883,792 S * 5/2020 Sterling D9/528
D900,610 S * 11/2020 Sterling D9/528
D908,503 S * 1/2021 Sanchez D9/543

* cited by examiner

Primary Examiner — Dana Meyrow

(74) *Attorney, Agent, or Firm* — N.V. Nederlandsch
Octrooibureau; Catherine A. Shultz; Katelyn J. Bernier

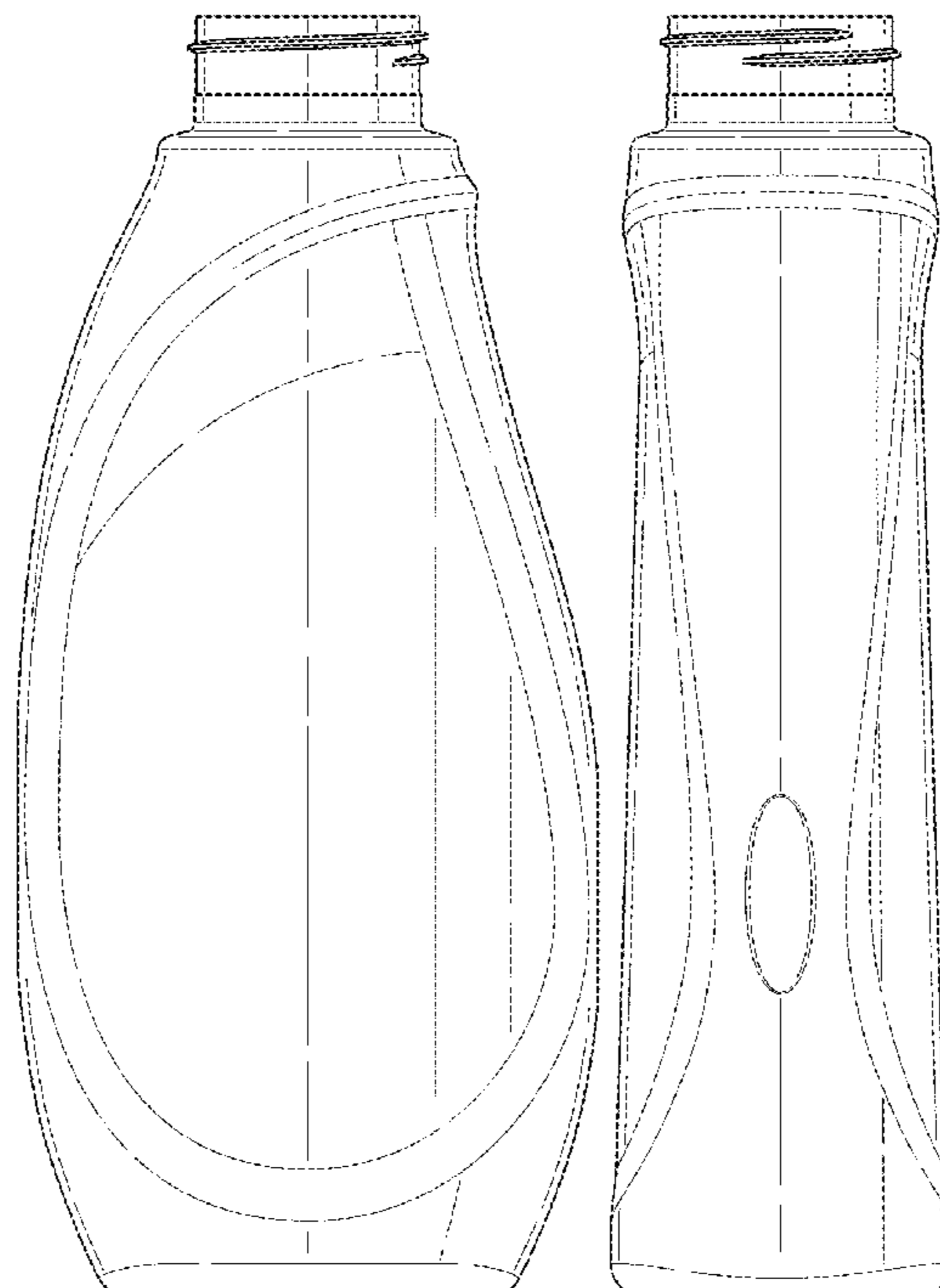
(57) **CLAIM**

I claim the ornamental design for a bottle, as shown and described.

DESCRIPTION

FIG. 1 is a perspective view of a bottle;
FIG. 2 is a front elevational view thereof;
FIG. 3 is a rear elevational view thereof;
FIG. 4 is an elevational view of the left side thereof;
FIG. 5 is an elevational view of the right side thereof;
FIG. 6 is a top plan view thereof; and,
FIG. 7 is a bottom plan view thereof.
Broken lines are used to indicate structure that does not form part of the claimed design.

1 Claim, 5 Drawing Sheets



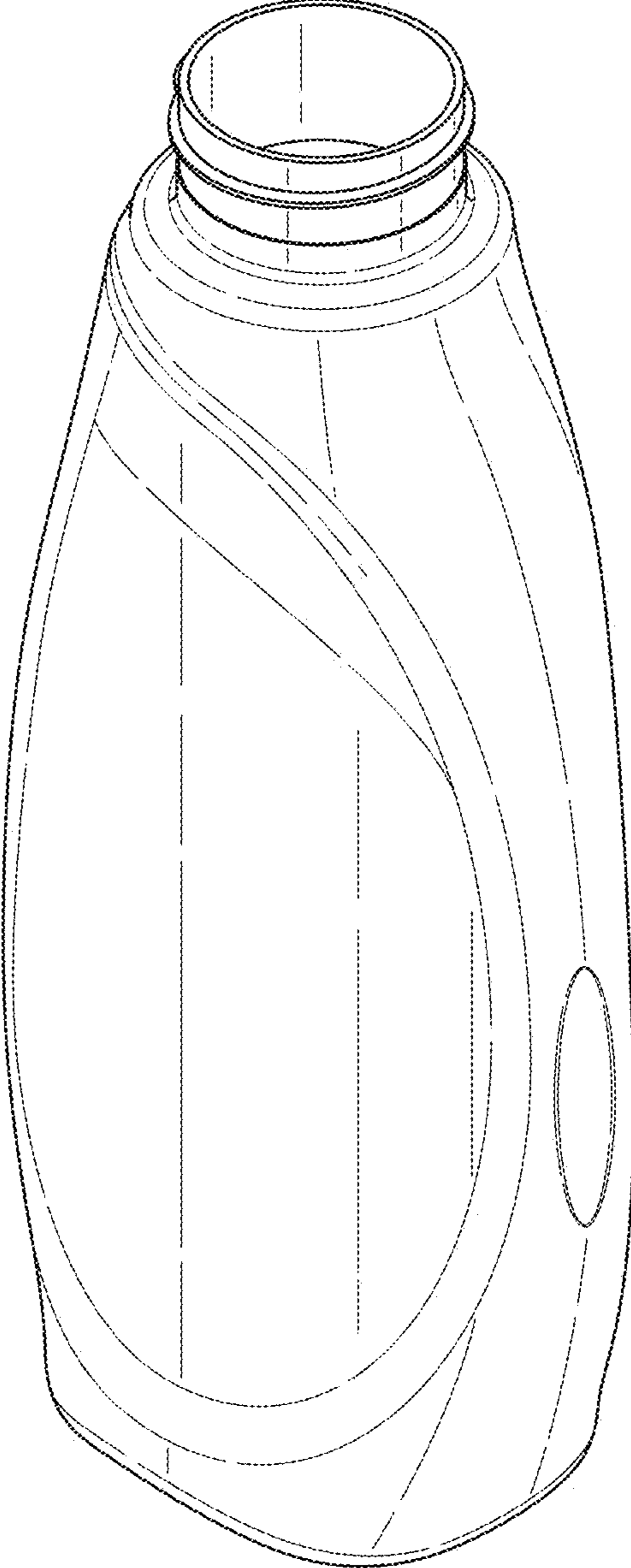


Fig. 1

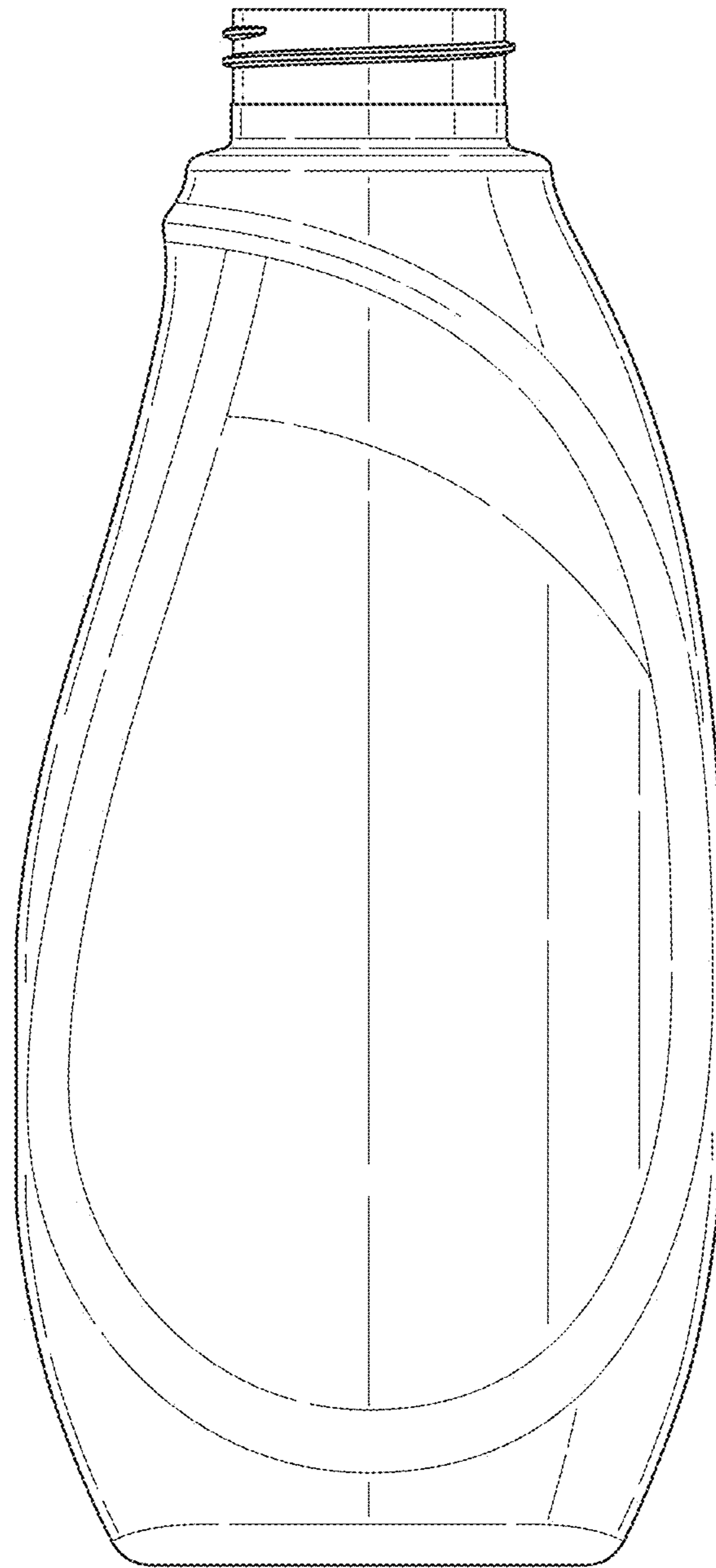


Fig. 2

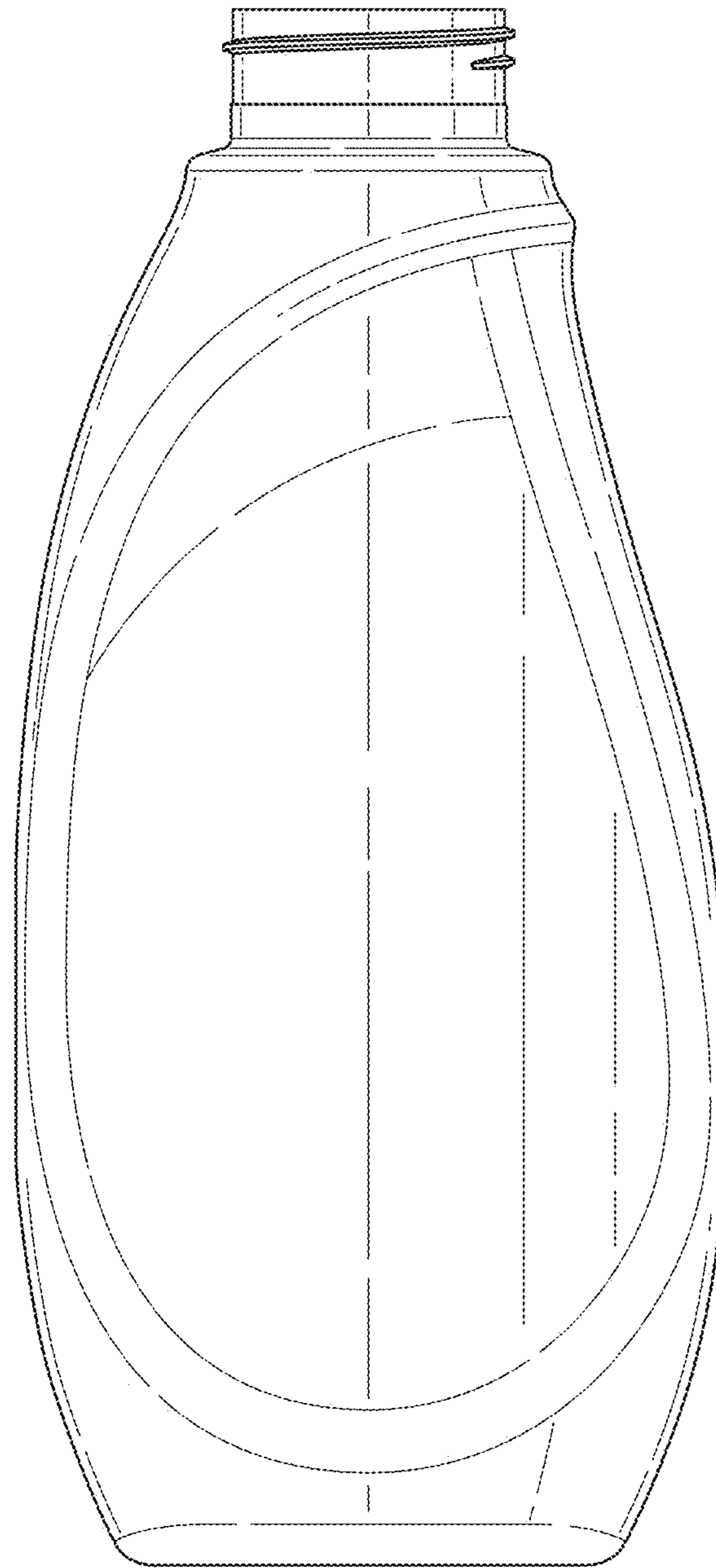


Fig. 3

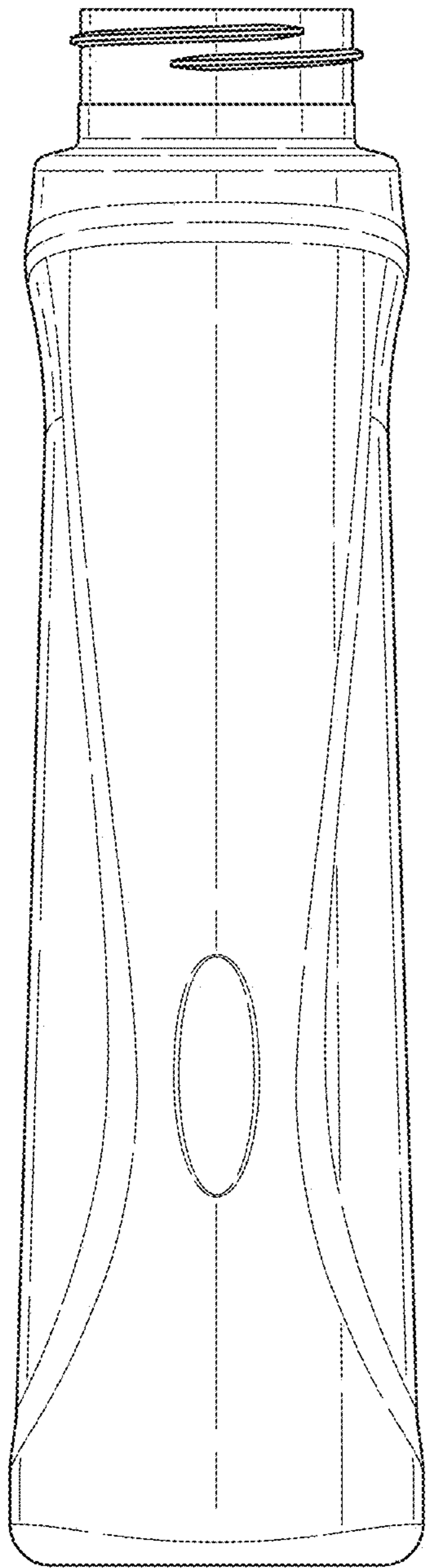


Fig. 4

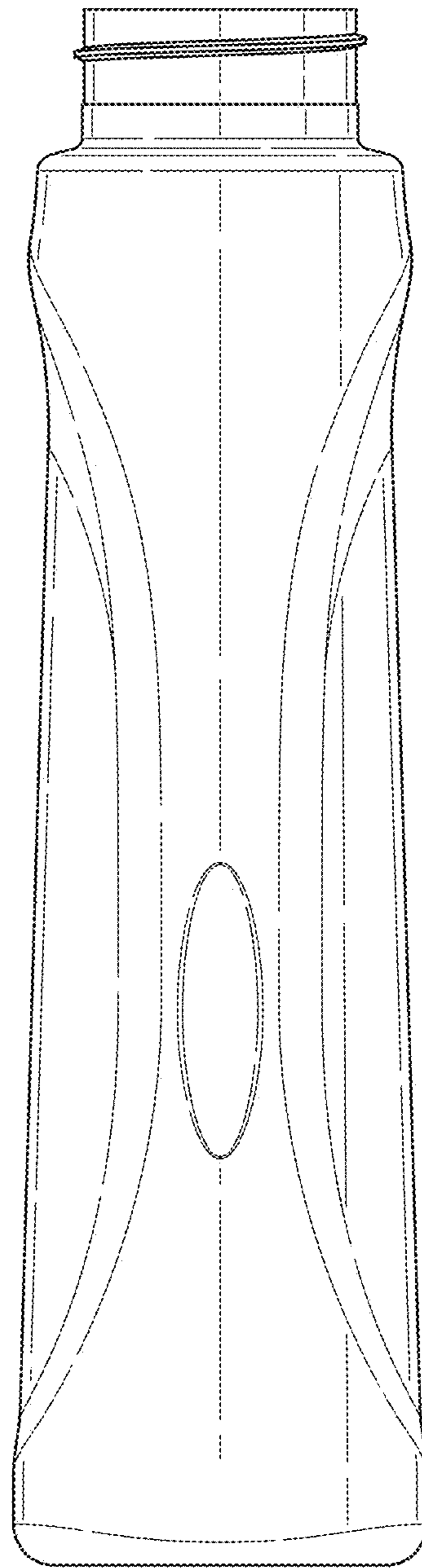


Fig. 5

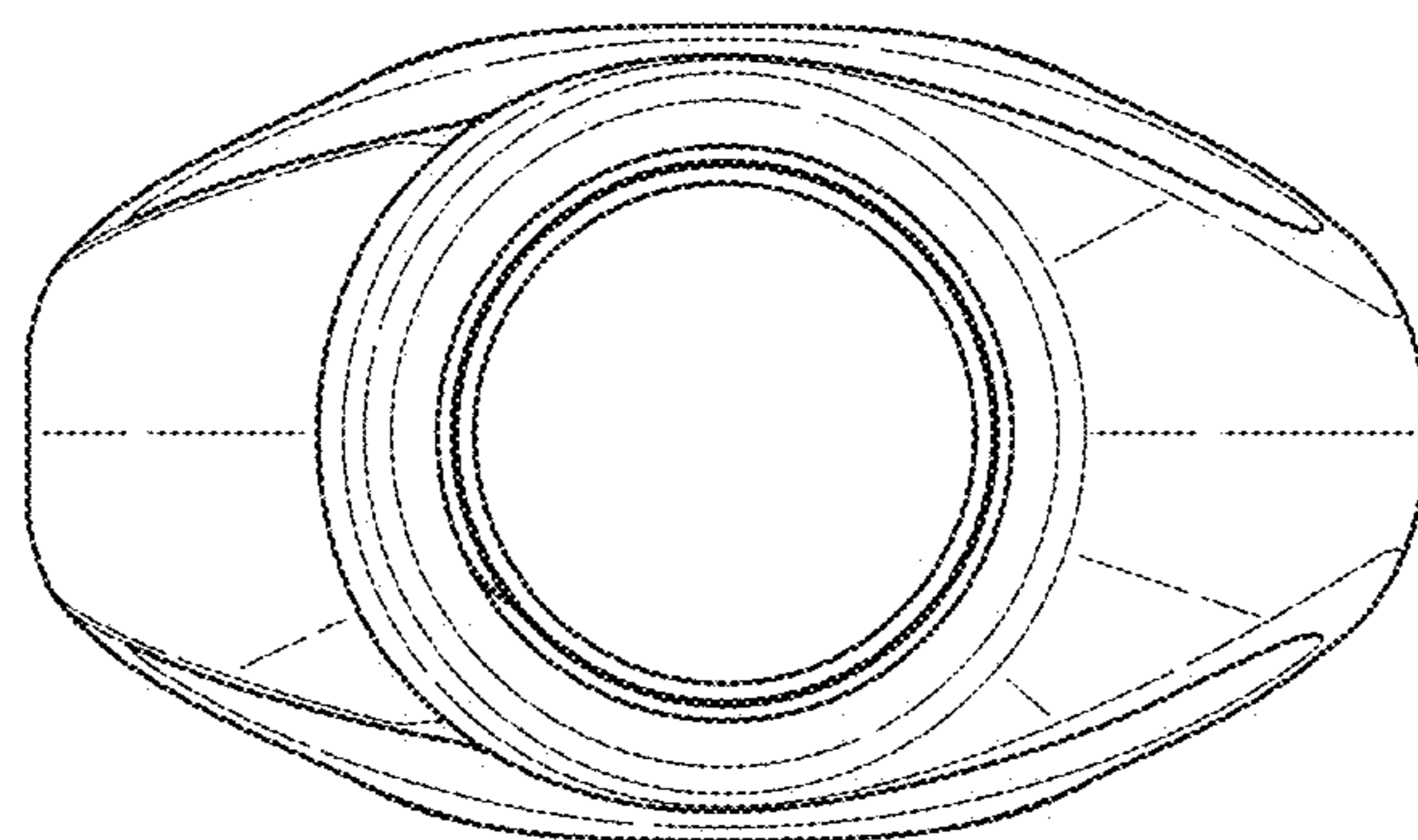


Fig. 6

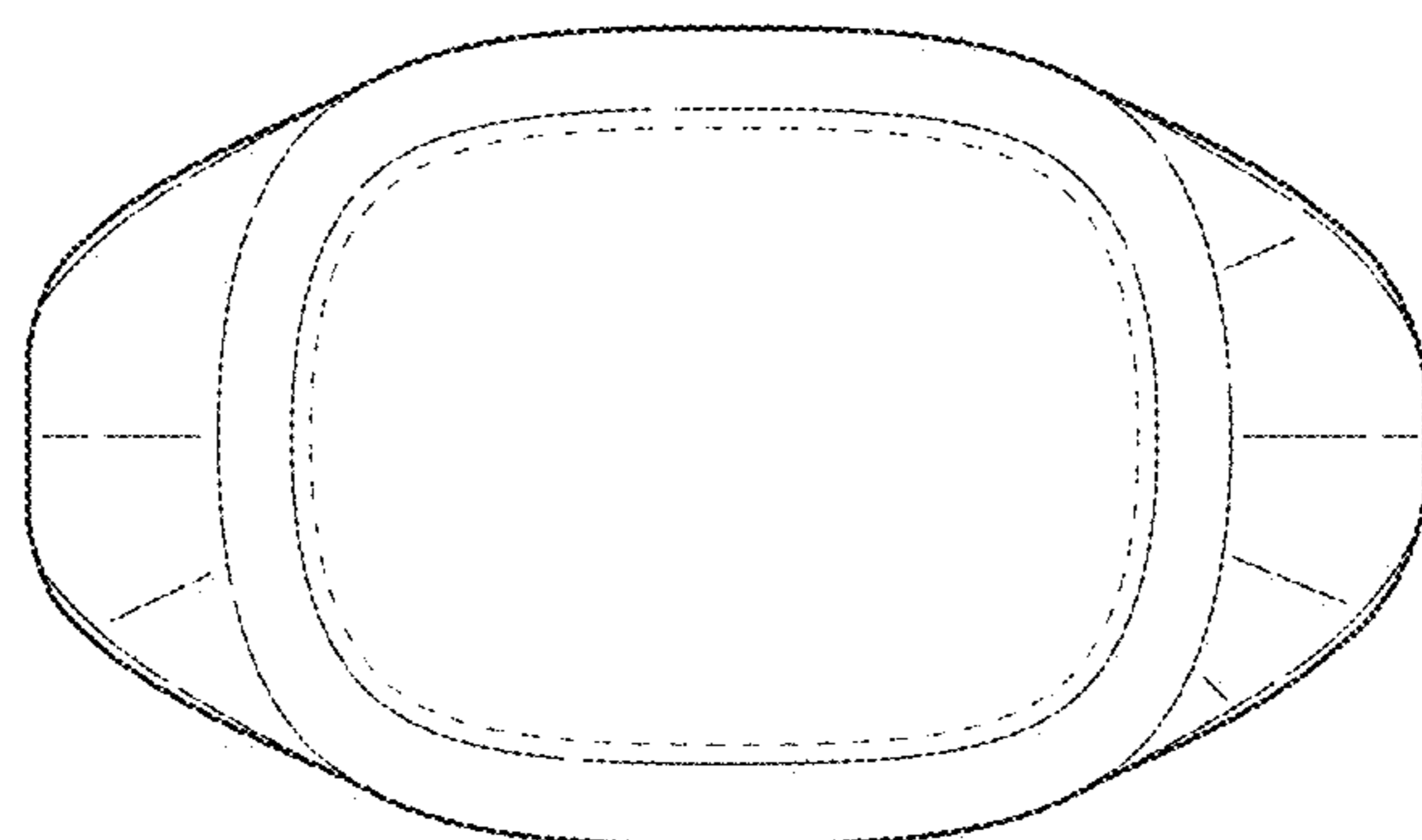


Fig. 7