



US00D931106S

(12) **United States Design Patent**  
**Guillois**

(10) **Patent No.:** **US D931,106 S**  
(45) **Date of Patent:** **\*\* Sep. 21, 2021**

- (54) **BOTTLE**
- (71) Applicant: **CARTIER INTERNATIONAL AG**,  
Postfach (CH)
- (72) Inventor: **Adeline Guillois**, Paris (FR)
- (73) Assignee: **CARTIER INTERNATIONAL AG**,  
Postfach (CH)
- (\*\*) Term: **15 Years**
- (21) Appl. No.: **29/705,644**
- (22) Filed: **Sep. 13, 2019**

D360,137 S *	7/1995	De Baschmakoff	.....	D9/545
D361,271 S *	8/1995	Goldstein	.....	D9/544
D378,059 S *	2/1997	De Baschmakoff	.....	D9/544
D385,797 S *	11/1997	Baschmakoff	.....	D9/544
D387,282 S *	12/1997	De Baschmakoff	.....	D9/545
D395,829 S *	7/1998	Wacker	.....	D9/573
D407,651 S *	4/1999	Perrin	.....	D9/544
D433,932 S *	11/2000	Kuzma	.....	D9/558
D446,124 S *	8/2001	Lehnert	.....	D9/522
D536,257 S *	2/2007	Weber	.....	D9/558
D621,716 S *	8/2010	Camby	.....	D9/545
7,837,048 B2 *	11/2010	Lusker	.....	B65D 1/0223 215/379
D643,733 S *	8/2011	Aebi	.....	D9/544
D747,212 S *	1/2016	Staab	.....	D9/559
D790,352 S *	6/2017	Staab	.....	D9/574

(Continued)

**Related U.S. Application Data**

- (62) Division of application No. 29/641,176, filed on Mar. 20, 2018.

**Foreign Application Priority Data**

Nov. 21, 2017 (WO) ..... DM/098581

- (51) **LOC (13) Cl.** ..... **09-01**
- (52) **U.S. Cl.**  
USPC ..... **D9/522; D9/575**
- (58) **Field of Classification Search**  
USPC ..... D9/516, 522, 543-546, 549, 550, 552,  
D9/559, 575, 715, 719; D28/91.1;  
D3/202; D7/300, 598  
CPC ..... B65D 2501/0081; B65D 1/02; B65D  
1/0223; B65D 1/40  
See application file for complete search history.

**References Cited**

**U.S. PATENT DOCUMENTS**

D247,282 S *	2/1978	Zimmermann	.....	D9/521
D284,839 S *	7/1986	Biesecker	.....	D9/561
D354,686 S *	1/1995	Ricci	.....	D9/544
D356,502 S *	3/1995	Poandl	.....	D9/520

**FOREIGN PATENT DOCUMENTS**

CN	304938131	*	12/2018
TR	644536-0001	*	11/2011

*Primary Examiner* — W. A. Teddy Falloway

(74) *Attorney, Agent, or Firm* — Stephen J. Weyer, Esq.;  
Stites & Harbison, PLLC

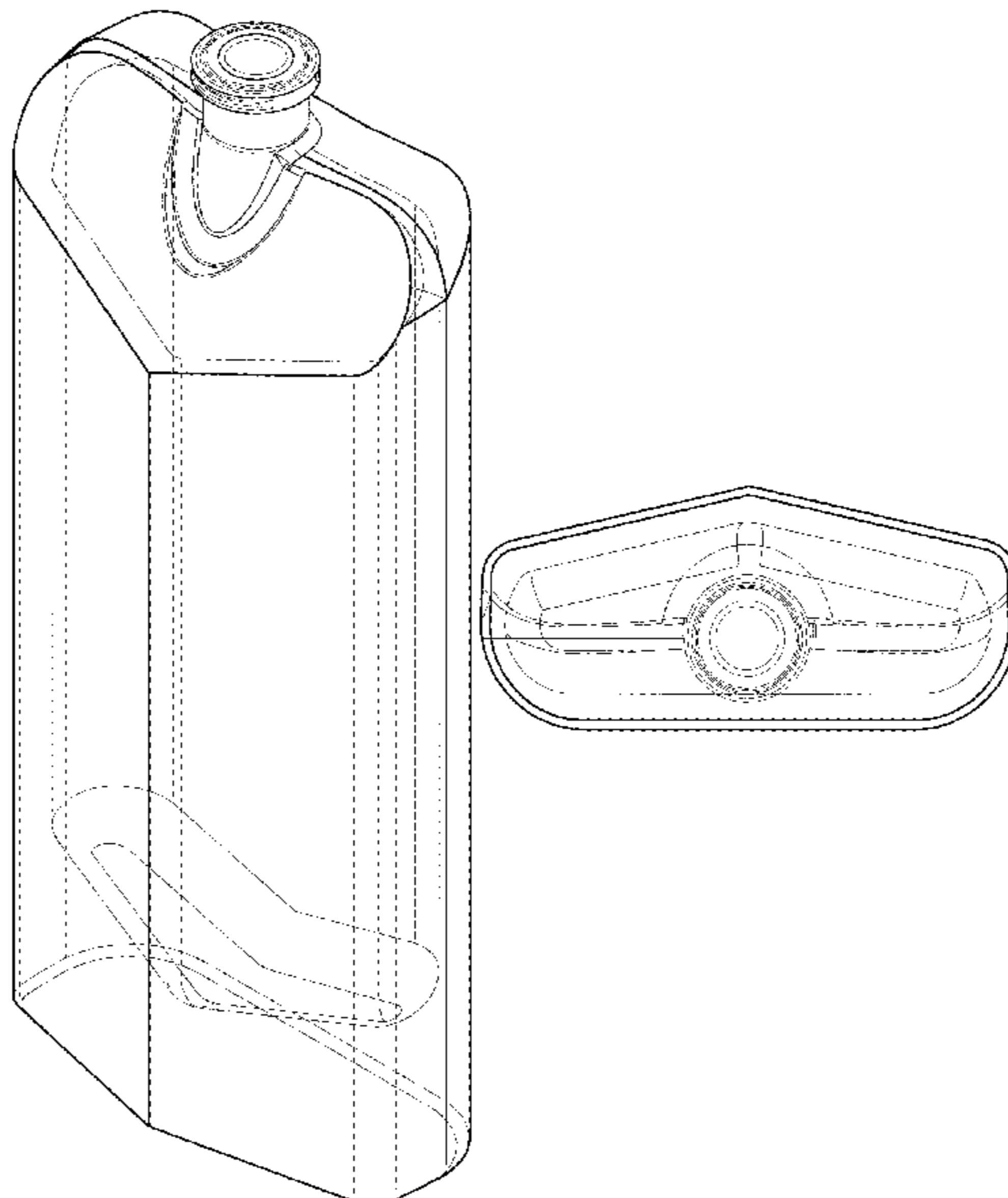
(57) **CLAIM**

The ornamental design for a bottle, as shown and described.

**DESCRIPTION**

FIG. 1 is a top, front and right side perspective view of a bottle showing my design.  
 FIG. 2 is a front elevation view thereof.  
 FIG. 3 is a rear elevation view thereof.  
 FIG. 4 is a left view thereof.  
 FIG. 5 is a right side view image thereof.  
 FIG. 6 is a top plan view thereof; and,  
 FIG. 7 is a bottom plan view thereof.  
 Elements drawn in broken lines represent environmental elements that form no part of the claimed design.

**1 Claim, 7 Drawing Sheets**



(56)

**References Cited**

U.S. PATENT DOCUMENTS

D807,191 S \* 1/2018 Pecora ..... D9/572  
D867,145 S \* 11/2019 Barlow ..... D9/523

\* cited by examiner

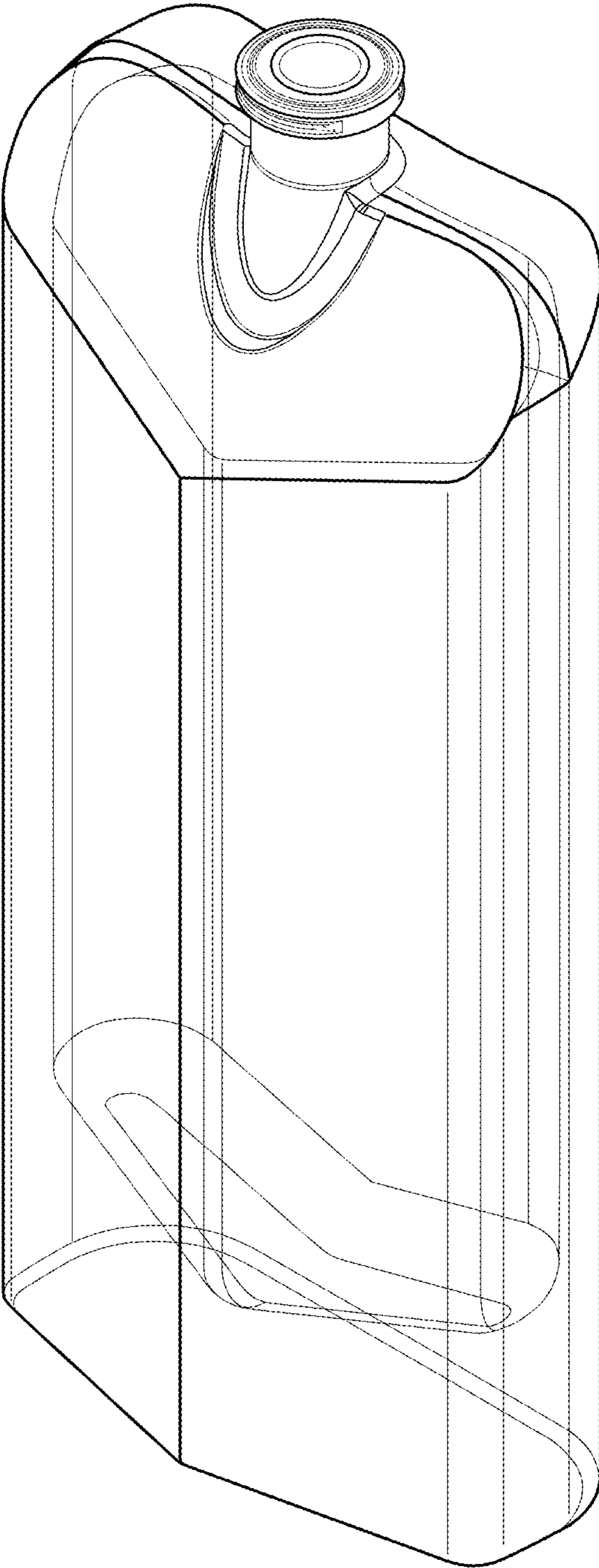


FIG. 1

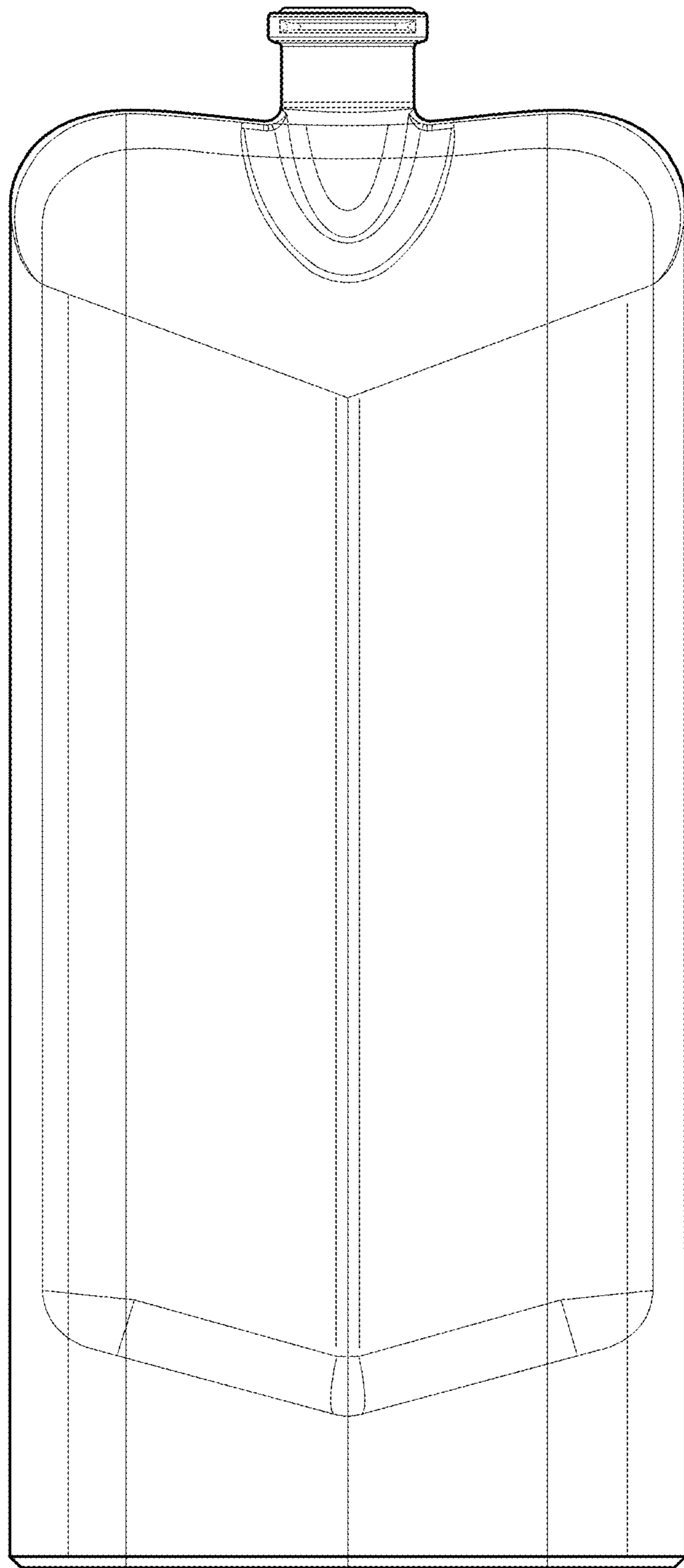


FIG. 2

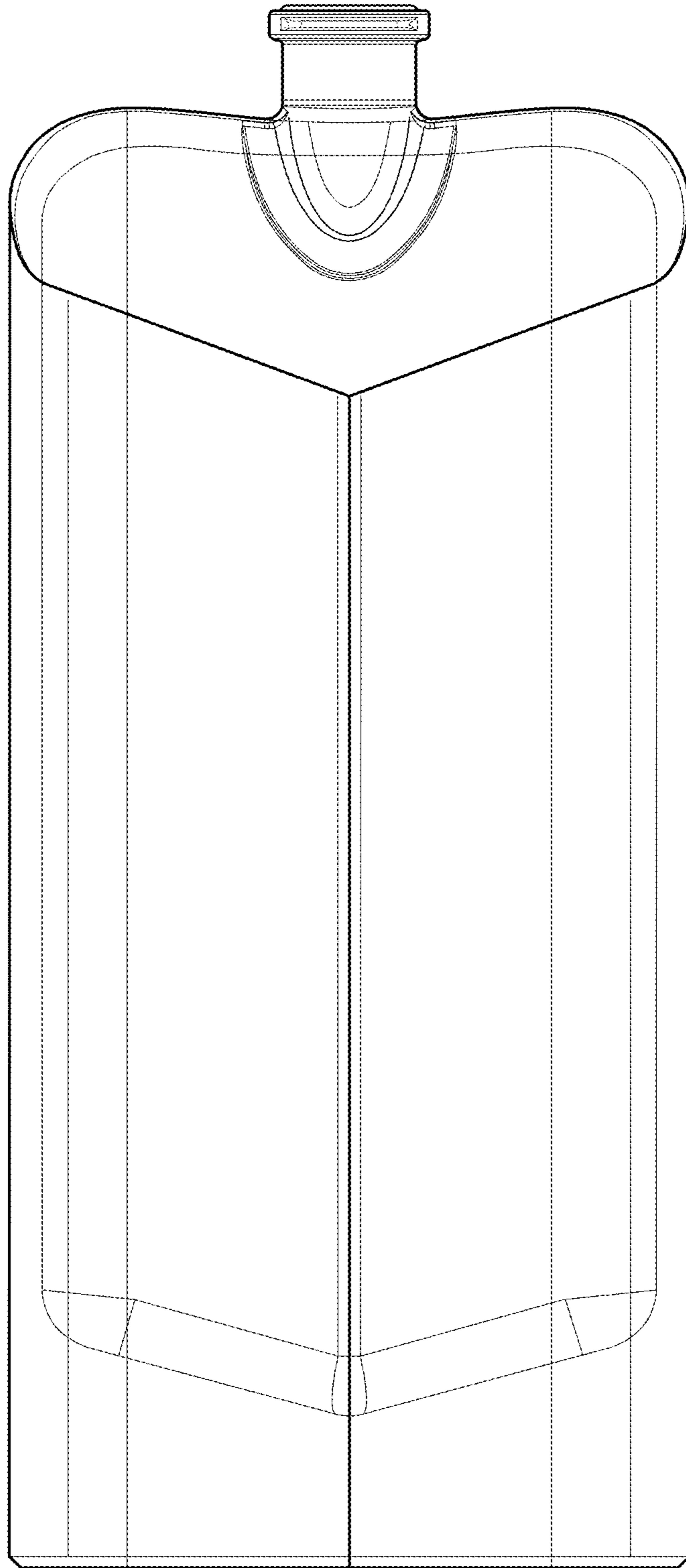


FIG. 3

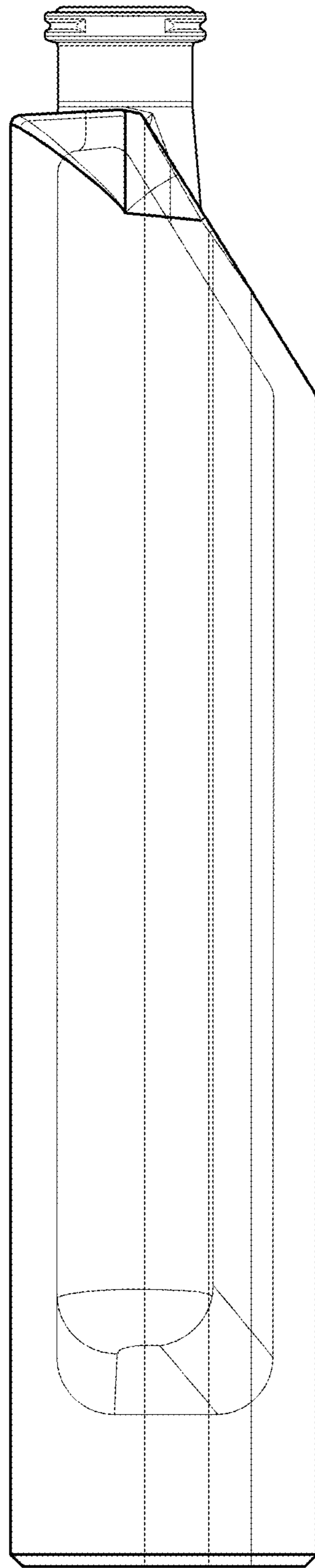


FIG. 4



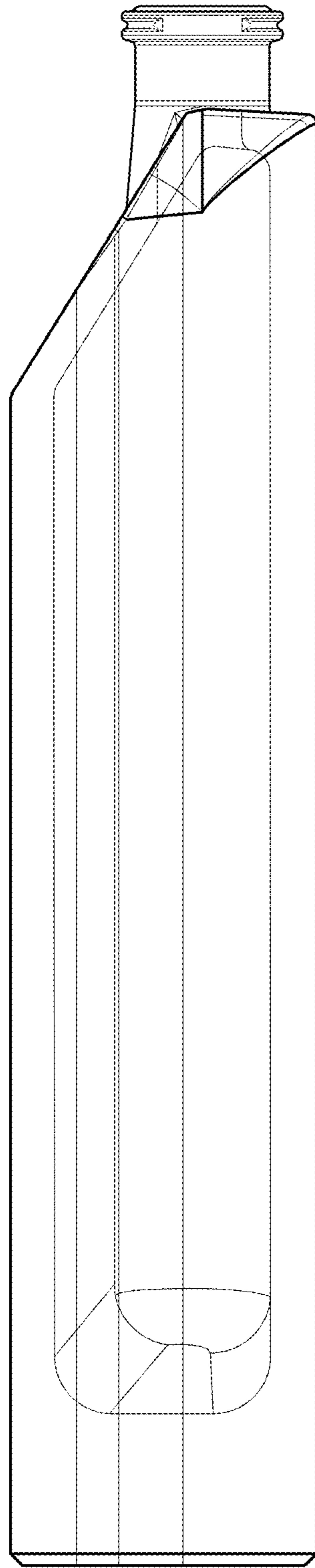


FIG. 5

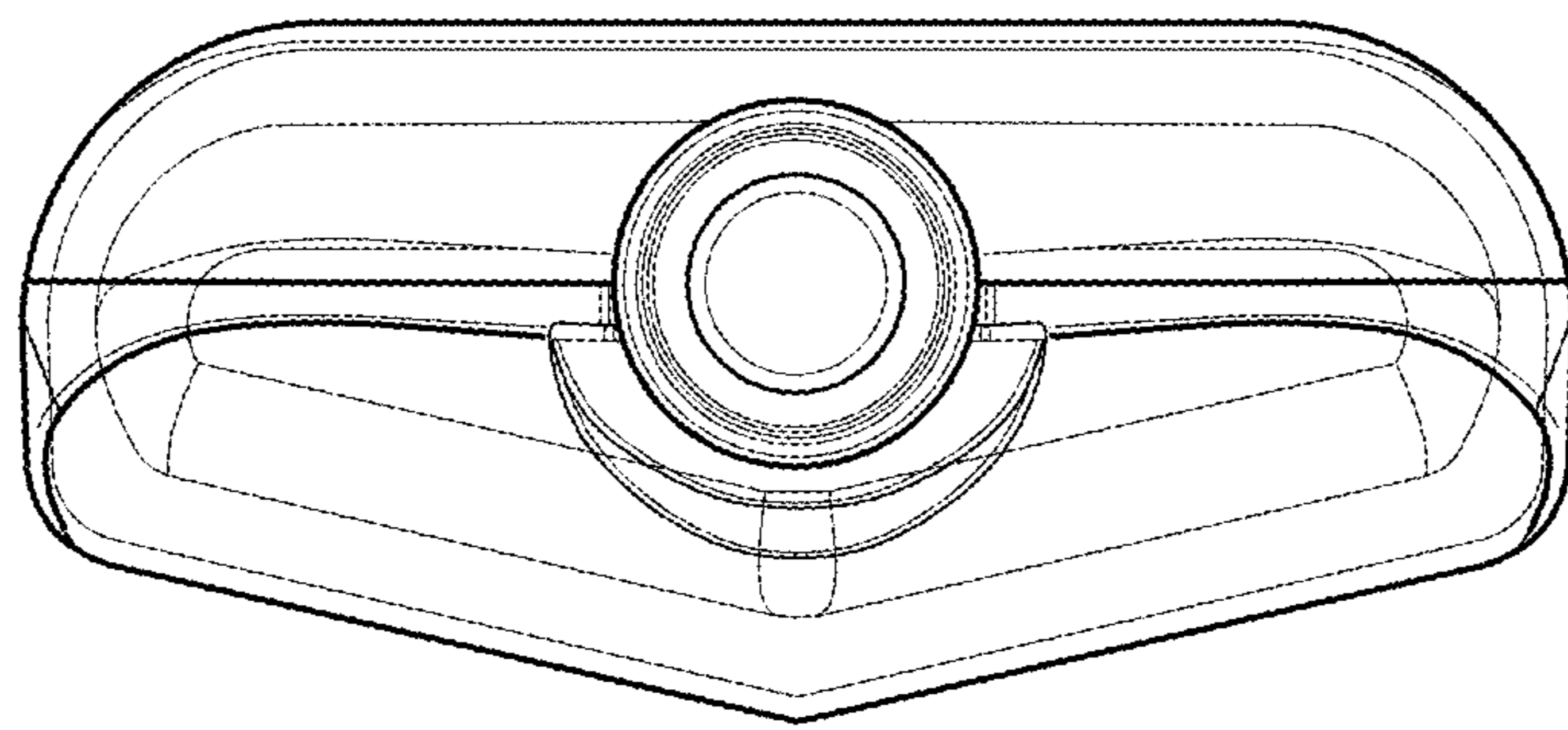


FIG. 6



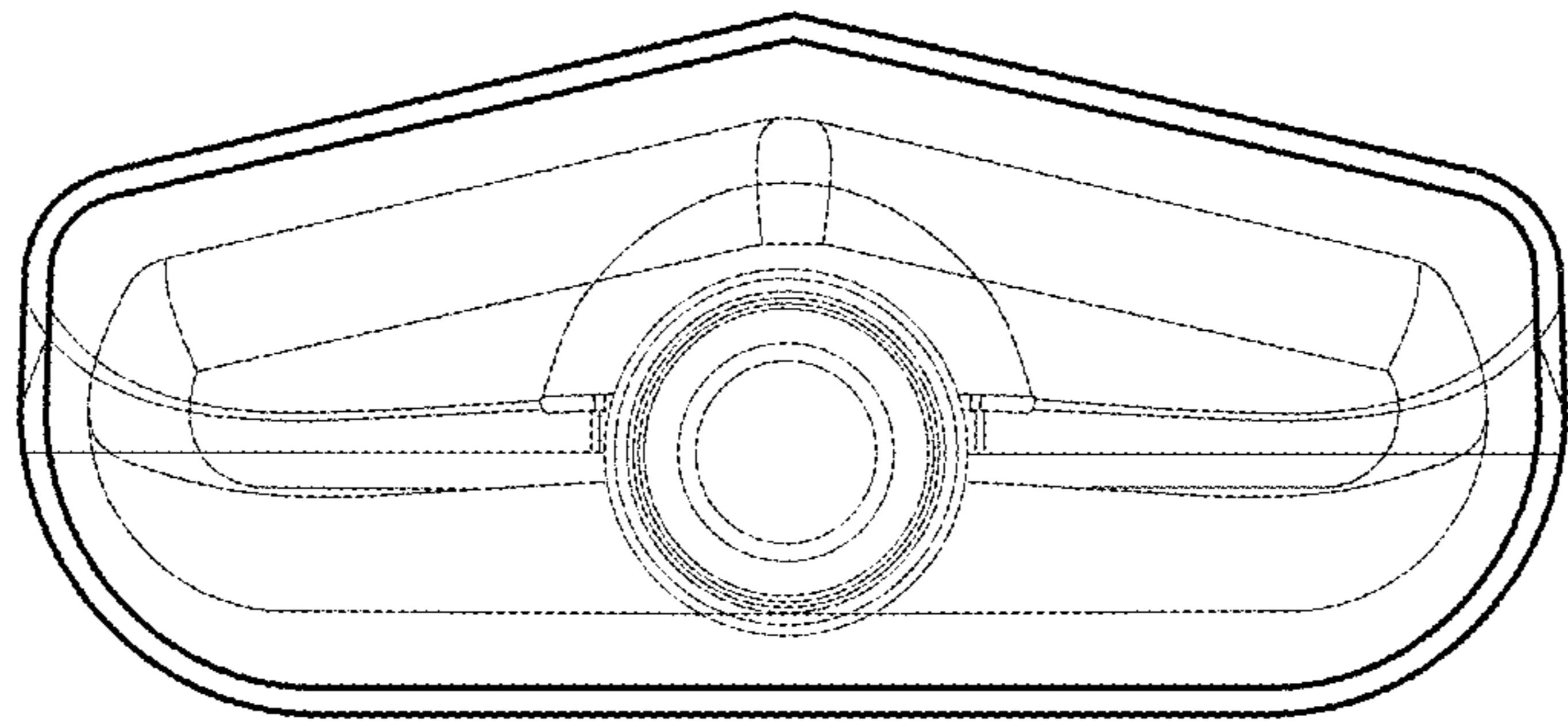


FIG. 7