



US00D931105S

(12) **United States Design Patent** (10) **Patent No.:** **US D931,105 S**
Griffis (45) **Date of Patent:** **** Sep. 21, 2021**

- (54) **BOTTLE RING WITH BOTTLE**
- (71) Applicant: **Szent Co.**, Santa Monica, CA (US)
- (72) Inventor: **Shawn Griffis**, La Jolla, CA (US)
- (73) Assignee: **Szent Co.**, La Jolla, CA (US)
- (**) Term: **15 Years**
- (21) Appl. No.: **29/707,365**
- (22) Filed: **Sep. 27, 2019**

D101,242 S 9/1936 Poglein
 D138,198 S * 7/1944 Jackson D9/558
 D159,985 S 9/1950 Heisey
 D172,090 S 5/1954 Pree
 (Continued)

FOREIGN PATENT DOCUMENTS

CN 201694464 U 1/2011
 CN 104172723 A 12/2014
 (Continued)

OTHER PUBLICATIONS

Ratti Report. A Brand New Kind of Water is Agencyless. Oct. 19, 2018. <https://ratti-report.com/industry-food-bev/a-brand-new-kind-of-water-is-agencyless/> (Year: 2018).*
 (Continued)

Primary Examiner — Darcey E Gottschalk
 (74) *Attorney, Agent, or Firm* — Perkins Coie LLP

- Related U.S. Application Data**
- (60) Continuation of application No. 29/657,205, filed on Jul. 19, 2018, now Pat. No. Des. 876,236, which is a division of application No. 29/598,879, filed on Mar. 29, 2017, now Pat. No. Des. 826,047.
 - (51) **LOC (13) Cl.** **09-01**
 - (52) **U.S. Cl.**
USPC **D9/516**
 - (58) **Field of Classification Search**
USPC D7/392.1, 396.2, 900; D9/434–436, 440, D9/443–447, 452–454, 499, 516, 544, D9/575; D8/18; D11/3, 4, 26, 37–39
CPC B65D 51/24; B65D 51/28; B65D 51/245; B65D 1/0246; B65D 41/04
See application file for complete search history.

(57) **CLAIM**

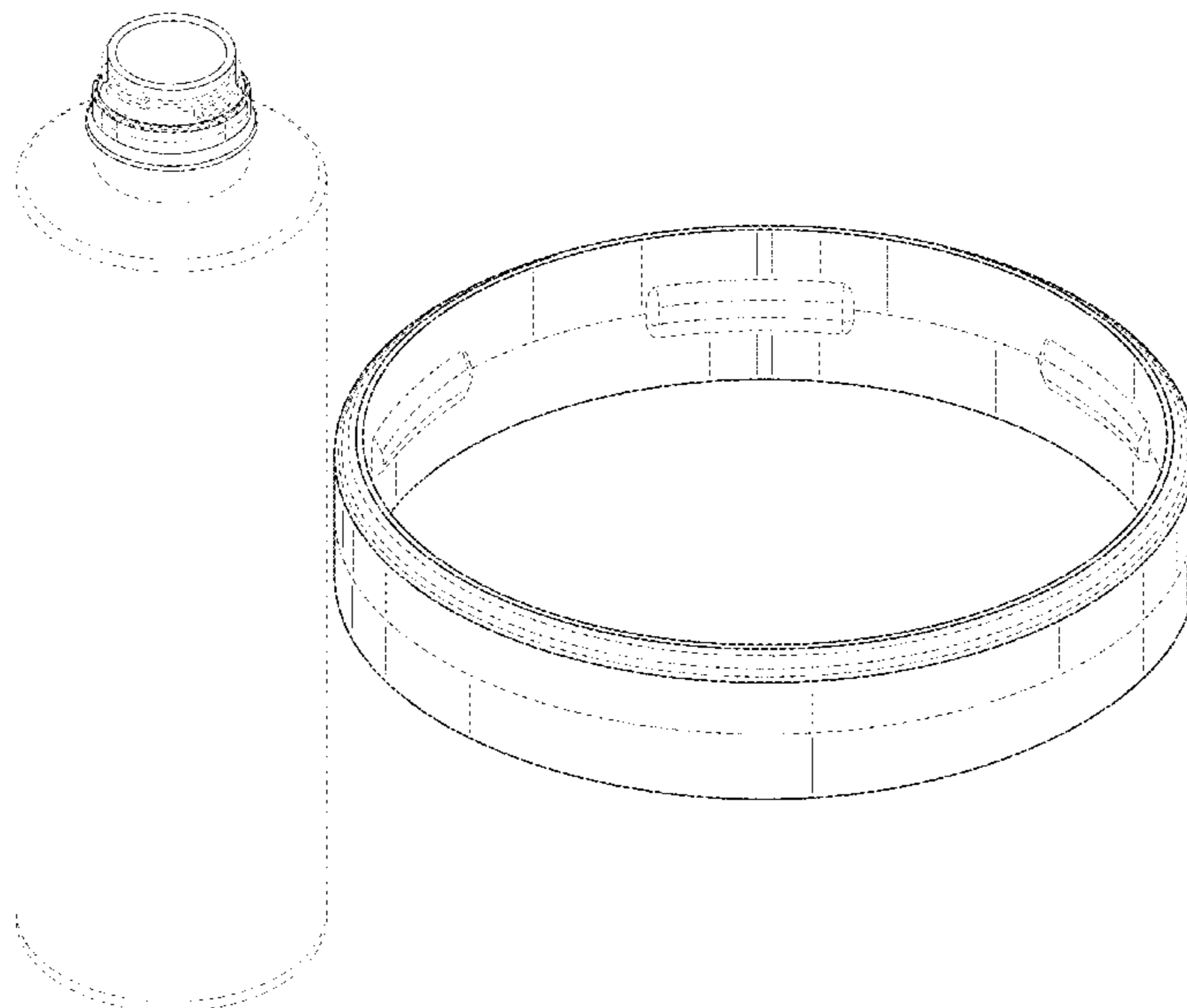
The ornamental design for a bottle ring with a bottle, as shown and described.

DESCRIPTION

FIG. 1 is an exploded view of a bottle ring with a bottle; FIG. 2 is an isometric view of the bottle ring of FIG. 1 when positioned on the bottle; FIG. 3 is a frontal view of the bottle ring of FIG. 1 when positioned on the bottle; FIG. 4 is a zoomed-in view of the isometric view of the bottle ring of FIG. 1 shown removed from the bottle for clarity of disclosure; FIG. 5 is a top view of the bottle ring of FIG. 4; FIG. 6 is a frontal view of the bottle ring of FIG. 4; and, FIG. 7 is a cross-sectional view of the bottle ring of FIG. 4 along the plane identified in FIG. 5.

1 Claim, 6 Drawing Sheets

- (56) **References Cited**
U.S. PATENT DOCUMENTS
- | | | |
|-------------|---------|--------------|
| D25,131 S | 2/1896 | Fowler, Jr. |
| D28,746 S | 5/1898 | Blount |
| D30,338 S | 3/1899 | Mann |
| D31,451 S | 8/1899 | Norris |
| D32,681 S | 5/1900 | Morgenthaler |
| D44,392 S | 7/1912 | Whitney |
| D54,241 S | 12/1919 | Christian |
| 1,695,822 A | 12/1928 | Restein |
| D99,688 S | 5/1936 | Tomlinson |



(56)

References Cited

U.S. PATENT DOCUMENTS

| | | | |
|--------------|-----------|-----------------------|--------|
| 3,043,464 A | 3/1959 | Cerasari | |
| 2,922,454 A | 1/1960 | Vossloh | |
| D191,418 S | 9/1961 | Nassour | |
| D206,889 S | 2/1967 | Benes | |
| D209,311 S | 11/1967 | Schilling | |
| 3,409,181 A | 11/1968 | McDonnell | |
| D212,843 S | 12/1968 | Hart et al. | |
| 3,432,177 A | 3/1969 | Colwell | |
| 3,590,989 A | 7/1971 | Wittwer | |
| D221,625 S | 8/1971 | Kinney | |
| D230,187 S | 1/1974 | Schultz | |
| D242,200 S | 11/1976 | Ashton | |
| D243,406 S | 2/1977 | Mooney et al. | |
| D251,650 S | 4/1979 | Heller | |
| D252,373 S | 7/1979 | Eisenrod | |
| D256,003 S | 7/1980 | Barr | |
| D256,046 S | 7/1980 | Perrin | |
| D258,202 S | 2/1981 | Astor et al. | |
| D272,213 S | 1/1984 | Daenen | |
| 4,540,721 A | 9/1985 | Staller | |
| D288,902 S | 3/1987 | Lewis | |
| 4,687,203 A | 8/1987 | Spector | |
| 4,717,017 A | 1/1988 | Sprinkel et al. | |
| D303,915 S | * 10/1989 | Knutson | D8/18 |
| D305,310 S | * 1/1990 | Flinchbaugh | D11/26 |
| D312,768 S | 12/1990 | Eastman | |
| 4,981,230 A | 1/1991 | Marshall et al. | |
| D317,274 S | 6/1991 | Redina | |
| D319,035 S | 8/1991 | Kruse | |
| 5,165,603 A | 11/1992 | Hahn | |
| 5,197,620 A | 3/1993 | Gregory | |
| 5,249,676 A | 10/1993 | Ashcraft et al. | |
| D344,763 S | 3/1994 | Vitantonio | |
| D348,836 S | 7/1994 | McCallum et al. | |
| D354,681 S | 1/1995 | Nolte | |
| D355,708 S | 2/1995 | Caine | |
| 5,388,731 A | 2/1995 | Mengeu et al. | |
| D358,988 S | 6/1995 | Nolte | |
| 5,477,640 A | 12/1995 | Holtkamp, Jr. | |
| D367,818 S | 3/1996 | Zana | |
| D372,765 S | 8/1996 | Sisk | |
| D374,837 S | 10/1996 | Austin | |
| 5,635,229 A | 6/1997 | Ray | |
| D383,677 S | 9/1997 | Darr et al. | |
| 5,707,696 A | 1/1998 | Boxler | |
| D394,824 S | 6/1998 | Itzkowitz | |
| 5,795,644 A | 8/1998 | Delarosa | |
| 5,810,184 A | 9/1998 | Adams et al. | |
| 5,858,141 A | 1/1999 | Repp et al. | |
| 5,865,535 A | 2/1999 | Edwards | |
| 5,913,437 A | 6/1999 | Ma | |
| D412,281 S | 7/1999 | Lindsay | |
| 5,954,247 A | 9/1999 | Savine | |
| 5,957,312 A | 9/1999 | Adams et al. | |
| 6,006,472 A | 12/1999 | Holtkamp, Jr. | |
| D418,414 S | 1/2000 | Cheng | |
| D422,905 S | 4/2000 | Walker | |
| 6,045,833 A | 4/2000 | Landau | |
| D424,948 S | 5/2000 | Ullmo | |
| 6,062,441 A | 5/2000 | Mengeu et al. | |
| 6,102,224 A | 8/2000 | Sun | |
| 6,112,749 A | 9/2000 | Hall et al. | |
| 6,112,923 A | 9/2000 | Ma | |
| D438,050 S | 2/2001 | Huntzinger | |
| D441,650 S | * 5/2001 | Salzburg | D9/434 |
| 6,290,914 B1 | 9/2001 | LeJeune et al. | |
| D449,556 S | 10/2001 | Pasquetti | |
| D453,000 S | 1/2002 | Shinjo | |
| D457,245 S | 5/2002 | Royal et al. | |
| D457,783 S | 5/2002 | Bodum | |
| D460,357 S | 7/2002 | Kras et al. | |
| D465,731 S | 11/2002 | Brant et al. | |
| 6,484,873 B1 | 11/2002 | Pizarro | |
| 6,484,896 B2 | 11/2002 | Ma | |
| 6,497,337 B1 | 12/2002 | Kehe | |
| D468,492 S | 1/2003 | Wilhelm | |
| 6,511,726 B1 | 1/2003 | Kinigakis | |
| D470,057 S | 2/2003 | Bowen | |
| 6,581,793 B1 | 6/2003 | Racine et al. | |
| D476,893 S | 7/2003 | Pinnaivaia | |
| D477,225 S | 7/2003 | Pinnaivaia | |
| D482,562 S | 11/2003 | Demers | |
| D482,794 S | 11/2003 | Whitley | |
| D483,982 S | 12/2003 | Irvine | |
| 6,659,297 B2 | 12/2003 | Gregory et al. | |
| D485,126 S | 1/2004 | Watson | |
| 6,677,397 B1 | 1/2004 | Baranowski et al. | |
| D491,066 S | 6/2004 | Le Goff | |
| 6,766,916 B2 | 7/2004 | Ma | |
| D498,826 S | 11/2004 | Takahiro et al. | |
| D501,625 S | 2/2005 | Biggerstaff | |
| 6,964,346 B1 | 11/2005 | Taber et al. | |
| D512,914 S | 12/2005 | Moretti | |
| 6,981,602 B2 | 1/2006 | Ma et al. | |
| D515,353 S | 2/2006 | Martin | |
| 7,005,152 B2 | 2/2006 | Landau | |
| D518,717 S | 4/2006 | German | |
| D518,718 S | 4/2006 | vonSpreckelsen et al. | |
| D522,368 S | 6/2006 | Darr et al. | |
| D533,747 S | 12/2006 | Jin | |
| D533,802 S | 12/2006 | Thompson et al. | |
| D534,428 S | 1/2007 | Reed et al. | |
| D534,802 S | 1/2007 | German | |
| D535,210 S | 1/2007 | Park | |
| D545,235 S | 6/2007 | Carter-Smith et al. | |
| D546,225 S | * 7/2007 | Brown | D11/4 |
| D546,226 S | * 7/2007 | Brown | D11/4 |
| D546,227 S | * 7/2007 | Brown | D11/4 |
| D548,092 S | 8/2007 | Klemm | |
| D553,238 S | 10/2007 | Haggkvist | |
| D553,254 S | 10/2007 | Colin et al. | |
| 7,284,711 B2 | 10/2007 | Reed et al. | |
| 7,306,108 B2 | 12/2007 | Cleevly | |
| D561,595 S | 2/2008 | Le Bras-Brown | |
| D564,711 S | 3/2008 | Modi et al. | |
| D565,253 S | 3/2008 | Modi et al. | |
| D571,214 S | 6/2008 | Cazatt | |
| D575,154 S | 8/2008 | Andrews | |
| D576,047 S | 9/2008 | Reihle | |
| D578,889 S | 10/2008 | Sadiq et al. | |
| 7,470,035 B1 | 12/2008 | Benitez | |
| D584,149 S | 1/2009 | Lohrman et al. | |
| D584,632 S | * 1/2009 | Lloyd | D9/544 |
| D587,118 S | 2/2009 | Sadiq et al. | |
| 7,484,675 B2 | 2/2009 | Brown | |
| D591,603 S | 5/2009 | Robin-Prevallee | |
| D592,950 S | 5/2009 | Kopulos | |
| D593,858 S | 6/2009 | Kubicek et al. | |
| D595,581 S | 7/2009 | Brunson | |
| D598,238 S | 8/2009 | Durdon et al. | |
| D600,115 S | 9/2009 | Trayser | |
| D601,309 S | 9/2009 | Babal | |
| D602,651 S | 10/2009 | Modi et al. | |
| RE41,055 E | * 12/2009 | Choke-Arpornchai | D9/516 |
| D606,864 S | 12/2009 | Robinson | |
| D610,011 S | * 2/2010 | De Pieretti | D9/516 |
| D611,814 S | 3/2010 | Marotti et al. | |
| D611,822 S | 3/2010 | Rajani | |
| D614,247 S | 4/2010 | Clausen | |
| D615,816 S | 5/2010 | Joy et al. | |
| D617,426 S | 6/2010 | Zeyfang | |
| D618,500 S | 6/2010 | Hardaway | |
| 7,748,557 B2 | 7/2010 | Robinson | |
| D621,266 S | * 8/2010 | Smith | D9/516 |
| D622,600 S | * 8/2010 | Bradfield | D9/544 |
| D623,056 S | 9/2010 | Sessa | |
| D623,460 S | 9/2010 | Krasner | |
| 7,798,320 B2 | 9/2010 | Pham | |
| D633,386 S | 3/2011 | Taber et al. | |
| D633,387 S | 3/2011 | Gatto | |
| D634,199 S | 3/2011 | Taber et al. | |
| D634,200 S | 3/2011 | Taber et al. | |
| D635,352 S | 4/2011 | Himley et al. | |
| D635,399 S | 4/2011 | DelVecchio | |

(56)

References Cited

U.S. PATENT DOCUMENTS

| | | | | | | |
|--------------|---------|------------------------|-----------------|---------|------------------------|--------|
| D637,448 S | 5/2011 | Cheng | D804,305 S | 12/2017 | White | |
| D643,729 S | 8/2011 | Lovelace, Jr. | D804,306 S * | 12/2017 | Simons | D9/454 |
| D643,912 S | 8/2011 | Bowman | D804,900 S | 12/2017 | Choe | |
| D646,568 S | 10/2011 | Heidel et al. | D804,906 S | 12/2017 | Diener et al. | |
| D646,600 S | 10/2011 | Minkkinen et al. | D807,173 S | 1/2018 | Cooper et al. | |
| D650,677 S | 12/2011 | Wurster et al. | D807,749 S * | 1/2018 | Beaver | D9/516 |
| D654,752 S | 2/2012 | Krasner | D808,810 S * | 1/2018 | Rajesh | D9/516 |
| D655,167 S | 3/2012 | Weber-Trinkfass et al. | D809,923 S * | 2/2018 | Marantis | D9/516 |
| D657,675 S | 4/2012 | Averill | D810,504 S * | 2/2018 | Goodwin | D7/394 |
| D662,767 S | 7/2012 | Hotell et al. | D815,951 S | 4/2018 | Solovy | |
| D666,461 S | 9/2012 | Siegel | D817,096 S | 5/2018 | Kauss et al. | |
| D671,406 S | 11/2012 | Sawicki et al. | 9,957,076 B2 | 5/2018 | Tung | |
| 8,364,028 B1 | 1/2013 | Vaske et al. | D820,679 S | 6/2018 | Ali | |
| D678,989 S | 3/2013 | Zerrer | D821,150 S | 6/2018 | Liao | |
| D679,598 S | 4/2013 | Miceli | D824,257 S | 7/2018 | Wood et al. | |
| D679,999 S | 4/2013 | Miceli | D824,264 S * | 7/2018 | Toribio | D9/575 |
| 8,440,265 B2 | 5/2013 | Duan | D824,763 S | 8/2018 | Suess et al. | |
| D684,065 S | 6/2013 | Wiseman | D826,047 S | 8/2018 | Griffis | |
| D684,082 S | 6/2013 | Alvarez et al. | D827,435 S | 9/2018 | Griffis | |
| D684,274 S | 6/2013 | Hosoya et al. | D828,088 S | 9/2018 | Furneaux et al. | |
| D686,075 S | 7/2013 | Guerin et al. | D829,101 S | 9/2018 | Spivey et al. | |
| D686,081 S * | 7/2013 | Colangelo | D830,773 S | 10/2018 | Jacobsen | |
| D686,101 S | 7/2013 | Dailey | D832,105 S * | 10/2018 | Clemence | D9/516 |
| 8,474,637 B2 | 7/2013 | Zhang et al. | D832,130 S | 10/2018 | Bostic | |
| D689,332 S | 9/2013 | Krasner | 10,086,104 B2 | 10/2018 | Griffis | |
| D689,789 S | 9/2013 | Hardy | D832,734 S | 11/2018 | Warren | |
| D690,218 S * | 9/2013 | Cobbett | D833,293 S * | 11/2018 | Lin | D9/563 |
| D691,885 S | 10/2013 | Potts | D836,389 S | 12/2018 | Abante et al. | |
| D693,645 S | 11/2013 | Keyes | D837,052 S | 1/2019 | Rapparini | |
| D694,107 S | 11/2013 | Didio | D837,054 S | 1/2019 | Mallahan, III | |
| D696,751 S | 12/2013 | Beagen, Jr. | D838,171 S | 1/2019 | Wood et al. | |
| D696,952 S | 1/2014 | Sawicki et al. | 10,189,611 B2 | 1/2019 | Cox | |
| D697,805 S | 1/2014 | You | D839,673 S | 2/2019 | Meyers | |
| 8,672,158 B2 | 3/2014 | Taber | D842,030 S | 3/2019 | Meyers | |
| 8,708,189 B2 | 4/2014 | Reitzig | D844,433 S | 4/2019 | Hall et al. | |
| D704,088 S | 5/2014 | Farris | D846,096 S | 4/2019 | Copeland | |
| D706,908 S | 6/2014 | Knapp | D846,097 S | 4/2019 | Copeland | |
| D706,909 S | 6/2014 | van de Klippe et al. | D846,098 S | 4/2019 | Copeland | |
| D715,092 S | 10/2014 | Thun et al. | 10,252,842 B2 | 4/2019 | Miceli | |
| 8,881,988 B2 | 11/2014 | Miceli | D848,844 S | 5/2019 | Byron et al. | |
| D723,919 S | 3/2015 | Taber et al. | D851,996 S | 6/2019 | Umholtz | |
| D724,386 S | 3/2015 | Royer et al. | D852,335 S | 6/2019 | Copeland | |
| D725,953 S | 4/2015 | Gamelli et al. | D852,336 S | 6/2019 | Copeland | |
| D730,734 S | 6/2015 | Rapparini | 10,328,172 B2 | 6/2019 | Griffis | |
| D733,604 S | 7/2015 | Tan et al. | D852,634 S | 7/2019 | Balletta et al. | |
| D734,670 S | 7/2015 | Griffis | D852,935 S | 7/2019 | Copeland | |
| 9,108,763 B2 | 8/2015 | Landau | D855,464 S | 8/2019 | Hall et al. | |
| D743,255 S | 11/2015 | Niggemyer | D857,859 S | 8/2019 | Copeland | |
| D743,513 S | 11/2015 | Yamagishi et al. | D858,903 S | 9/2019 | Jennings | |
| D744,846 S | 12/2015 | Koop et al. | D873,142 S * | 1/2020 | Jones | D9/516 |
| D752,378 S | 3/2016 | Wang | D875,525 S * | 2/2020 | Griffis | D9/443 |
| D752,975 S | 4/2016 | Gatto | D876,236 S * | 2/2020 | Griffis | D9/452 |
| D753,490 S | 4/2016 | O'Donahue | D884,479 S * | 5/2020 | Hall | D9/528 |
| 9,302,830 B2 | 4/2016 | Ramsey et al. | D884,540 S | 5/2020 | Tse | |
| D756,228 S * | 5/2016 | Premkumar | D885,962 S * | 6/2020 | Jones | D11/26 |
| D758,195 S | 6/2016 | Braz et al. | D885,963 S * | 6/2020 | Riviere | D11/26 |
| D762,115 S | 7/2016 | Corvaglia et al. | D895,777 S | 9/2020 | Chase | |
| D766,716 S | 9/2016 | Logel et al. | D896,679 S | 9/2020 | Abiri | |
| D776,529 S | 1/2017 | Torrison et al. | D901,306 S * | 11/2020 | Clark | D9/575 |
| D778,199 S | 2/2017 | Amfitheatrof | D905,559 S * | 12/2020 | Ungrady | D9/563 |
| D779,941 S * | 2/2017 | Koga | D909,186 S | 2/2021 | Wang | |
| D783,406 S | 4/2017 | Melrose | D911,846 S * | 3/2021 | Van Den Heijkant | D9/523 |
| D783,607 S | 4/2017 | Lee et al. | 2001/0027957 A1 | 10/2001 | Kano et al. | |
| D784,182 S * | 4/2017 | Baker | 2002/0139093 A1 | 10/2002 | Landau | |
| D785,144 S | 4/2017 | Kitagawa | 2002/0158037 A1 | 10/2002 | Kano et al. | |
| D788,587 S * | 6/2017 | Clemence | 2002/0190023 A1 | 12/2002 | Landau | |
| D789,232 S * | 6/2017 | Baker | 2003/0132244 A1 | 7/2003 | Birkmayer et al. | |
| D791,591 S | 7/2017 | Berge | 2004/0018278 A1 | 1/2004 | Popplewell | |
| D792,219 S | 7/2017 | Bueno Nunez | 2004/0020890 A1 | 2/2004 | Tan et al. | |
| D793,237 S * | 8/2017 | Vitale Rotta | 2004/0029750 A1 | 2/2004 | Schudel et al. | |
| D795,021 S | 8/2017 | Lindloff | 2004/0262174 A1 | 12/2004 | Buesching et al. | |
| D796,901 S | 9/2017 | Pisarevsky | 2005/0196571 A1 | 9/2005 | Penny et al. | |
| D799,900 S | 10/2017 | Santos et al. | 2005/0274819 A1 | 12/2005 | Reed et al. | |
| D799,963 S | 10/2017 | Akiyama | 2006/0246265 A1 | 11/2006 | Rogers et al. | |
| 9,801,969 B2 | 10/2017 | Griffis | 2006/0255002 A1 | 11/2006 | Takamatsu et al. | |
| | | | 2006/0278542 A1 | 12/2006 | Pham et al. | |
| | | | 2006/0278543 A1 | 12/2006 | Pham | |
| | | | 2006/0291756 A1 | 12/2006 | Thomas et al. | |
| | | | 2007/0023301 A1 | 2/2007 | Pham | |

(56)

References Cited

OTHER PUBLICATIONS

U.S. PATENT DOCUMENTS

| | | | | |
|--------------|-----|---------|-------------------|--------------|
| 2007/0051690 | A1 | 3/2007 | Hidding | |
| 2007/0114142 | A1 | 5/2007 | Sine et al. | |
| 2008/0067142 | A1 | 3/2008 | Druitt | |
| 2008/0149586 | A1 | 6/2008 | Loughrin et al. | |
| 2008/0173611 | A1 | 7/2008 | Neputy et al. | |
| 2008/0245757 | A1 | 10/2008 | Durand | |
| 2009/0045158 | A1 | 2/2009 | Suriol | |
| 2009/0078786 | A1 | 3/2009 | Slade | |
| 2009/0098026 | A1 | 4/2009 | Wood | |
| 2009/0155505 | A1 | 6/2009 | Wagenheim | |
| 2009/0258118 | A1 | 10/2009 | Gillian | |
| 2010/0084362 | A1 | 4/2010 | Letchinger et al. | |
| 2010/0323134 | A1 | 12/2010 | Bostian et al. | |
| 2011/0253584 | A1 | 10/2011 | Duan | |
| 2011/0290755 | A1 | 12/2011 | Taber et al. | |
| 2012/0006909 | A1 | 1/2012 | Zhang et al. | |
| 2012/0175016 | A1 | 7/2012 | Lopez et al. | |
| 2013/0015193 | A1 | 1/2013 | Lien et al. | |
| 2013/0043245 | A1 | 2/2013 | Griffis | |
| 2013/0056551 | A1 | 3/2013 | Zhang et al. | |
| 2013/0062239 | A1 | 3/2013 | Key | |
| 2013/0105066 | A1 | 5/2013 | Landau | |
| 2013/0119056 | A1 | 5/2013 | Jacobson et al. | |
| 2013/0205718 | A1 | 8/2013 | Kapolas | |
| 2013/0221007 | A1 | 8/2013 | Jung et al. | |
| 2013/0276339 | A1 | 10/2013 | Hernandez et al. | |
| 2013/0313218 | A1 | 11/2013 | Cox et al. | |
| 2014/0158660 | A1 | 6/2014 | Wood et al. | |
| 2014/0263335 | A1 | 9/2014 | Taber et al. | |
| 2015/0027974 | A1 | 1/2015 | Niec | |
| 2015/0076030 | A1 | 3/2015 | Smith | |
| 2015/0102033 | A1 | 4/2015 | Banovie | |
| 2015/0305349 | A1 | 10/2015 | Johnson et al. | |
| 2015/0329247 | A1 | 11/2015 | Lou | |
| 2015/0366250 | A1 | 12/2015 | Landau | |
| 2015/0375906 | A1 | 12/2015 | Vieker | |
| 2016/0106149 | A1 | 4/2016 | Potter et al. | |
| 2016/0122066 | A1 | 5/2016 | DiBiasio | |
| 2017/0081095 | A1 | 3/2017 | McPherson et al. | |
| 2017/0239382 | A1* | 8/2017 | Griffis | B65D 1/0246 |
| 2017/0240325 | A1 | 8/2017 | Seelhofer | |
| 2017/0275075 | A1 | 9/2017 | Bamonte et al. | |
| 2017/0326263 | A1 | 11/2017 | Griffis | |
| 2018/0043047 | A1 | 2/2018 | Griffis | |
| 2018/0079552 | A1 | 3/2018 | Ayeni | |
| 2018/0127159 | A1 | 5/2018 | Cunningham | |
| 2018/0141730 | A1 | 5/2018 | Rognard | |
| 2018/0201414 | A1 | 7/2018 | Rouquette | |
| 2019/0009953 | A1 | 1/2019 | Edie et al. | |
| 2019/0062007 | A1 | 2/2019 | Kim | |
| 2019/0084728 | A1 | 3/2019 | Bonfoey et al. | |
| 2019/0091363 | A1 | 3/2019 | Griffis | |
| 2019/0118989 | A1 | 4/2019 | Kim | |
| 2019/0224359 | A1* | 7/2019 | Griffis | B29C 48/0011 |
| 2019/0367230 | A1 | 12/2019 | Griffis | |

FOREIGN PATENT DOCUMENTS

| | | | |
|----|--------------|----|---------|
| CN | 104495736 | A | 4/2015 |
| DE | 102006038257 | A1 | 2/2008 |
| DE | 102009020524 | A1 | 11/2010 |
| DE | 202017001221 | U1 | 7/2017 |
| GB | 5000214 | | 10/2015 |
| GB | 2569075 | | 6/2019 |
| JP | 2000085777 | A | 3/2000 |
| WO | 2010068731 | | 6/2010 |
| WO | 2010128149 | A1 | 11/2010 |
| WO | 2012006328 | A1 | 1/2012 |
| WO | 2013105066 | A1 | 7/2013 |
| WO | 2018085580 | | 5/2018 |
| WO | 2018203993 | | 11/2018 |
| WO | 2019232431 | | 12/2019 |

Amazon. Oxford Ivy. Men's 14K White Gold 6MM Comfort Fit Beveled Edge Wedding Band (Available Ring Sizes 8-12 1/2) Oct. 1, 2016. <https://amzn.to/31WDGz0> (Year: 2016).*

Etsy. Mini Orange Plastic Soda Bottle Rings/Safety Seals. Mar. 23, 2018 [earliest online date], [site visited Apr. 23, 2018]. Available from Internet, <URL:<https://etsy.me/2HSzu7f>. (Year: 2018).

First Action Interview Pilot Program Pre-Interview Communication for U.S. Appl. No. 15/782,720, dated Apr. 2, 2018 (6 pages).

Flavour Bottle: The world's first flavored bottle, available at <https://www.kickstarter.com/projects/flavourtechnologies/flavour-bottle-the-worlds-first-flavored-bottle/description>.

Forever Gifts. Beveled Edge Black Tungsten Wedding Band. Apr. 26, 2017 [earliest online date], [site visited Apr. 26, 2018]. Available from Internet, <URL:<https://www.forevergifts.com/beveled-edge-black-tungsten-wedding-band-free-engraving/>. (Year: 2017).

High-Tech Cocktail Glass Lets You Experience Plain Water as the Perfect Cocktail, Oddity Central, available at <http://www.odditycentral.com/technology/high-tech-cocktail-glass-lets-you-experience-plain-water-as-the-perfect-cocktail.html>, Nov. 20, 2017.

International Search Report and Written Opinion for International Application No. PCT/US18/24630, dated Apr. 23, 2018 (7 pages).

Non-Final Office Action for U.S. Appl. No. 15/663,534, dated Apr. 2, 2018 (26 pages).

Non-Final Office Action for U.S. Appl. No. 29/598,882, dated May 1, 2018 (29 pages).

Non-Final Office Action for U.S. Appl. No. 29/598,879, dated May 1, 2018 (26 pages).

The New York Times. Mystery in Sochi Doping Case Lies With Tamper-Proof Bottle by Rebecca R. Ruiz. May 13, 2016 [earliest online date], [site visited Apr. 23, 2018]. Available from Internet, <URL:<https://www.nytimes.com/2016/05/14/sports/russia-doping-bottles-olympics-2014.html>>. (Year: 2016).

Examination Report received for European Union Design Application No. 005826559; dated Nov. 28, 2018 (2 pages).

First Examiner's Report received for Canadian Application No. 177508; dated Jul. 23, 2018 (3 pages).

Non-Final Office Action received for U.S. Appl. No. 15/663,534, dated Aug. 16, 2018 (26 pages).

First Examiner's Report received for Australian Application No. 2018202261; dated Aug. 30, 2018 (5 pages).

Office Action for German Application No. 10 2018 003 090.4, dated Jan. 15 2019 (8 pages).

Examiner's Report received for Canadian Application No. 2999583; dated Jan. 30, 2019 (3 pages).

Final Office Action received for U.S. Appl. No. 15/663,534; dated Feb. 13, 2019 (19 pages).

Non-Final Office Action received for U.S. Appl. No. 29/599,447, dated Mar. 28, 2019 (10 pages).

Szent Water: Announced Nov. 7, 2018 [online]. Site visited [Mar. 22, 2019]. Available from internet URL: https://www.amazon.com/SZE-NT-Water-Passionfruit-Ounce-Pack/dp/B07G8LHBF2/ref=cm_cr_arpd_product_top?ie=UTF8&th=1.

Notice of Allowance Received for U.S. Appl. No. 15/663,534, dated May 3, 2019.

Notification to Grant Patent Right for Design and Go through Formalities of Registration Received for Chinese Application No. 201830652933.8 dated Jul. 16, 2019.

International Search Report and Written Opinion for International Application No. PCT/US19/24708, dated Jun. 24, 2019 (9 pages).

Notice of Acceptance for Patent Application Received for Australia Application No. 2018202261, dated May 30, 2019.

Amazon. Szent Water Passionfruit Ounce Pack. Review by Brett Conway on Nov. 9, 2018. <https://www.amazon.com/SZENT-Water-Passionfruit-Ounce-Pack/dp/B07G8LHBF2?th=1> (Year: 2018).

Amazon. Oxford Ivy—Men's 14K White Gold 6MM Comfort Fit Beveled Edge Wedding Band Sep. 30, 2016. <https://www.amazon.com/White-Comfort-Beveled-Wedding-Available/dp/B01LYD52N4> (Year: 2016).

Non-Final Office Action received for U.S. Appl. No. 16/368,796 dated Sep. 16, 2019.

International Application No. PCT/US19/34990 International Search Report and Written Opinion, dated Oct. 3, 2019.

(56)

References Cited

OTHER PUBLICATIONS

Final Office Action received for U.S. Appl. No. 29/599,447, dated Oct. 10, 2019 (26 pages).
Examination Report received for GB 1904947.7; dated Sep. 3, 2019 (2 pages).
Examination Report received for Canadian Design Application No. 184681; dated Oct. 8, 2019 (44 pages).
Final Office Action received for U.S. Appl. No. 29/599,450; dated Dec. 11, 2019 (17 pages).
Non-Final Office Action received for U.S. Appl. No. 29/650,568; dated Dec. 19, 2019 (7 pages).
Non-Final Office Action received for U.S. Appl. No. 29/650,571; dated Dec. 19, 2019 (10 pages).
Canadian Application No. 2,999,583 Examination Report dated Mar. 13, 2020.
U.S. Appl. No. 16/368,796 Notice of Allowance dated Apr. 8, 2020. (8 pages).
European Application No. 18794704.9-1104 Extended European Search Report dated Jul. 9, 2020, pp. 1-9.

International Application No. PCT/US2019/024708, International Preliminary Report on Patentability dated Oct. 8, 2020.
GB Application No. GB2002178.8 Search and Examination Report dated Aug. 19, 2020, pp. 1-5.
Griffis, Shawn. U.S. Appl. No. 16/428,737 Non-Final Office Action dated Nov. 27, 2020 (pp. 1-7).
U.S. Appl. No. 29/598,879 Notice of Allowance dated Apr. 26, 2021, pp. 1-5.
U.S. Appl. No. 29/647,898 Restriction Requirement dated Apr. 26, 2021, pp. 1-6.
U.S. Appl. No. 29/647,895 Restriction Requirement dated Apr. 26, 2021, pp. 1-5.
Canadian Patent Application No. 2999583 Notice of Allowance dated Apr. 20, 2021, pp. 1-14.
U.S. Appl. No. 29/647,905 Non-Final Office Action dated Jun. 30, 2021, pp. 1-9.
SKS Bottle & Packaging Tamper Evident Containers, announced Aug. 18, 2011, [online], site visited Jun. 26, 2021. Available from Internet, URL: <http://www.sks-bottle.com> (Year: 2011).
Chinese Application No. 201911118814.4, First Office Action dated Nov. 3, 2020, pages.

* cited by examiner



Fig. 1

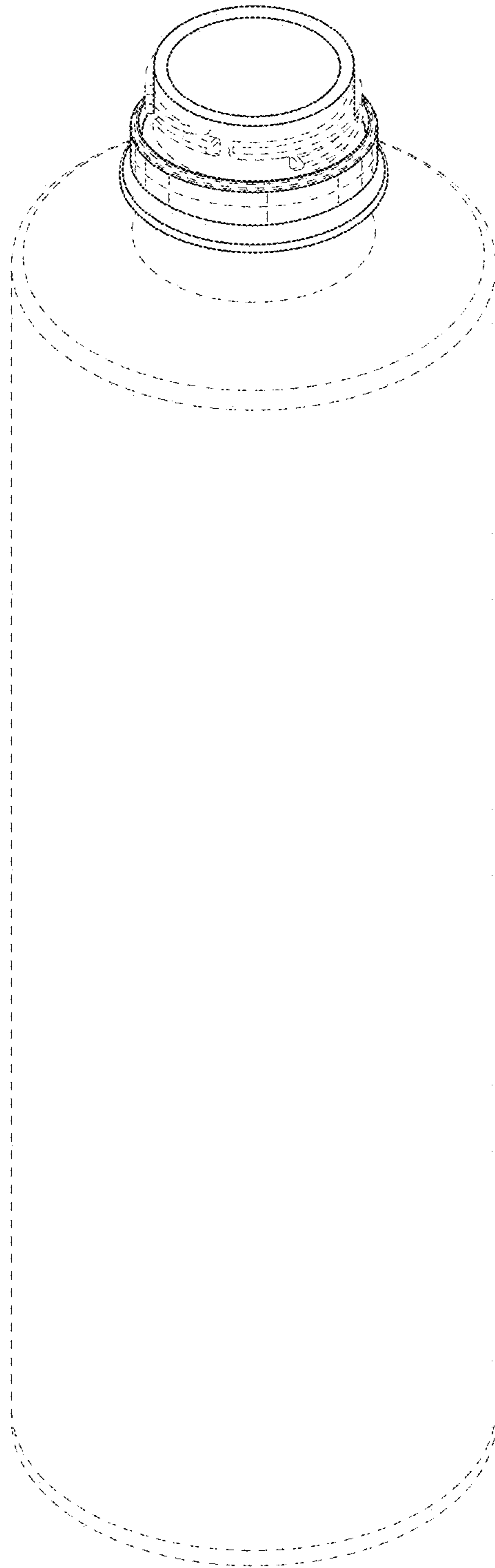


Fig. 2

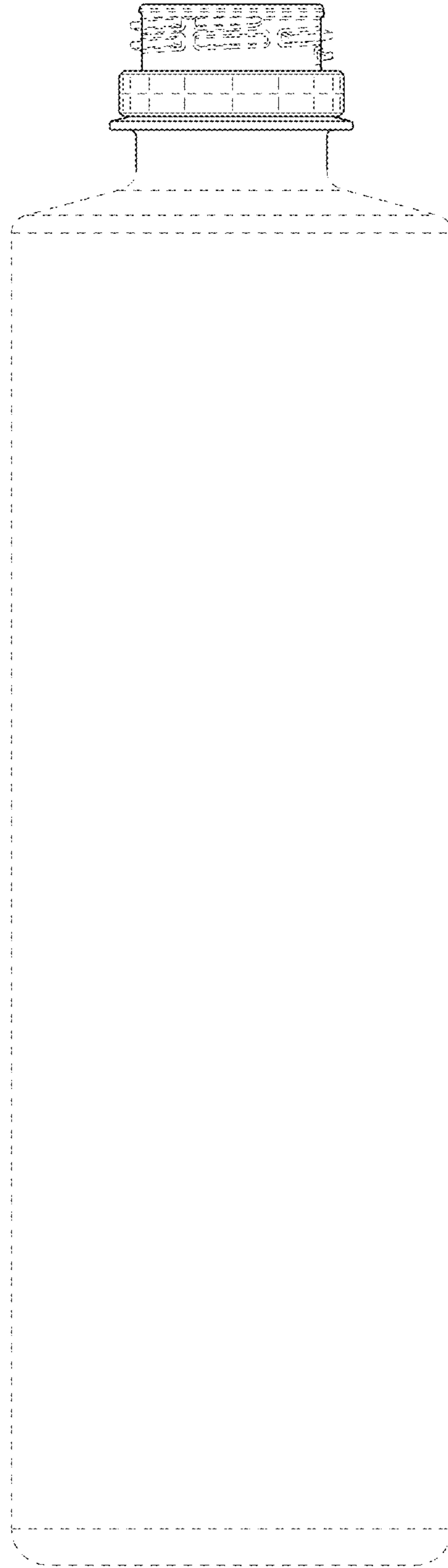


Fig. 3

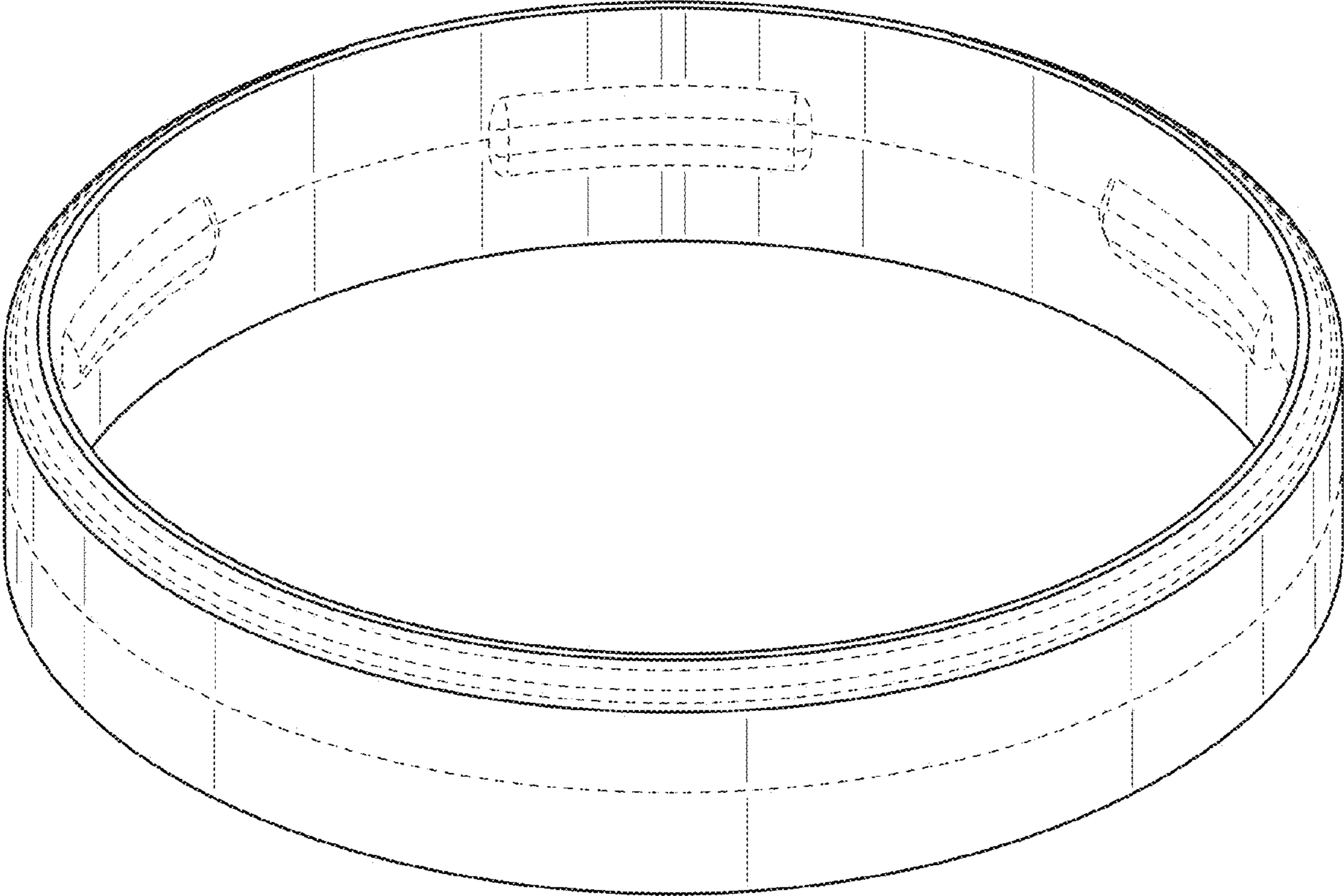


Fig. 4

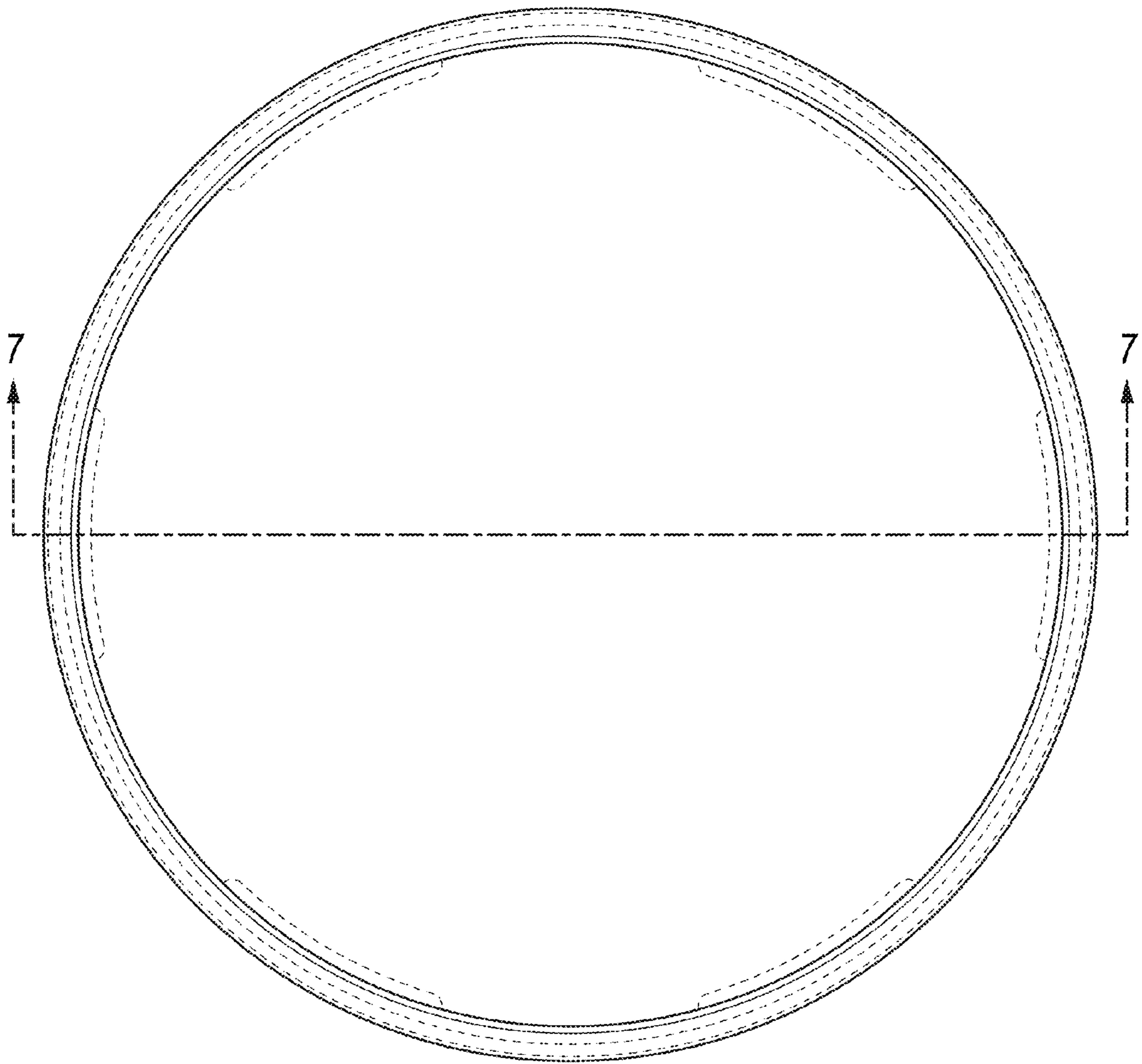


Fig. 5

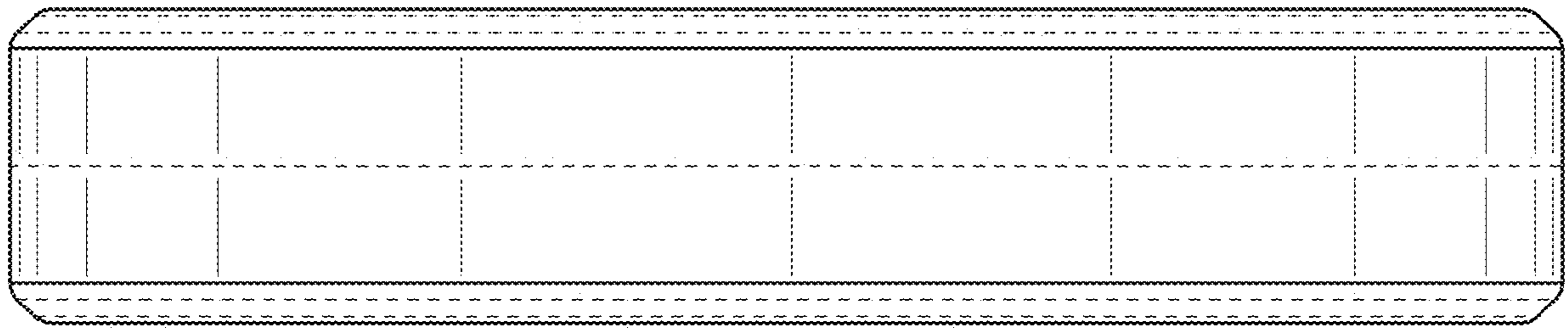


Fig. 6

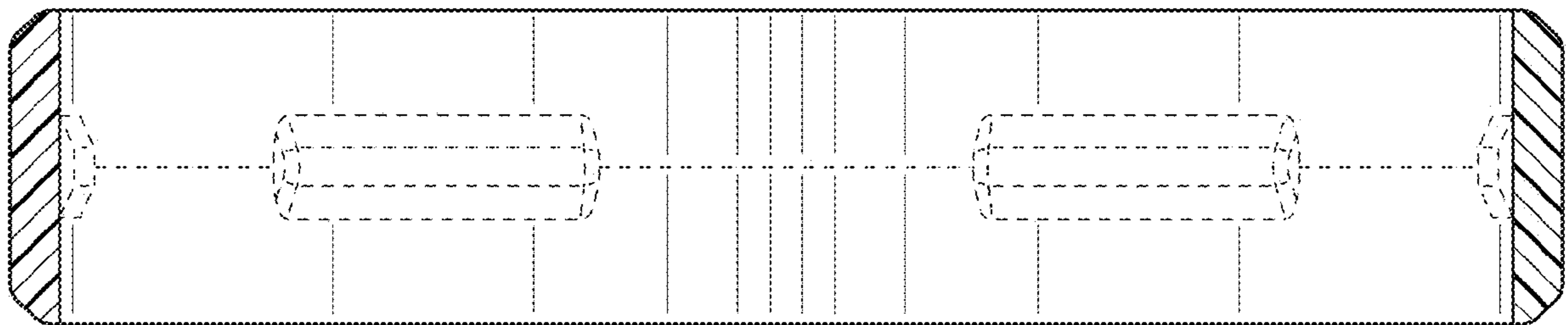


Fig. 7