

US00D931102S

(12) **United States Design Patent** (10) **Patent No.:** **US D931,102 S**
Asprey et al. (45) **Date of Patent:** **** Sep. 21, 2021**

- (54) **BOTTLE CAP**
- (71) Applicant: **BULLETPROOF 360, INC.**, Seattle, WA (US)
- (72) Inventors: **David Asprey**, Seattle, WA (US); **Anna Collins**, Seattle, WA (US); **Karen Huh**, Seattle, WA (US); **Nicholas Anderson**, Seattle, WA (US); **John Ostby**, Seattle, WA (US); **Jordan Steranka**, Seattle, WA (US)
- (73) Assignee: **Bulletproof 360, Inc.**, Seattle, WA (US)
- (**) Term: **15 Years**
- (21) Appl. No.: **29/683,689**
- (22) Filed: **Mar. 14, 2019**
- (51) **LOC (13) Cl.** **09-07**
- (52) **U.S. Cl.**
USPC **D9/449**
- (58) **Field of Classification Search**
USPC D9/414, 415, 432, 434, 435, 443-453, D9/455-457, 499, 503, 504, 682, 685, D9/686, 600, 602; D7/387, 391, 392, D7/392.1, 394, 396.1-396.4, 506, 507, D7/509-511, 538, 900; D3/202, 203.2, D3/294, 318; D28/91, 91.1
CPC .. A61J 1/00; A61J 1/1412; B65D 1/00; B65D 1/02; B65D 1/10; B65D 1/46; B65D 5/46; B65D 41/00; B65D 41/38; B65D 41/56; B65D 41/62; B65D 47/00; B65D 47/06; B65D 47/08; B65D 2251/00; B65D 2543/00046; B65D 2543/00092; B65D 2543/00296; B65D 2585/56; B65D 2585/545
See application file for complete search history.

- D152,327 S * 1/1949 Connolly D9/451
- D153,521 S * 4/1949 Graham D9/451
- D204,501 S 4/1966 Ferar
- D270,510 S * 9/1983 Miller D9/602
- D350,482 S * 9/1994 Hu D9/445
- D427,068 S * 6/2000 Hierzer D9/436
- D447,416 S * 9/2001 Anderson D9/451
- D548,607 S 8/2007 Langbein et al.

(Continued)

FOREIGN PATENT DOCUMENTS

- CN 303875845 10/2016
- CN 303884846 10/2016

(Continued)

OTHER PUBLICATIONS

U.S. Appl. No. 29/683,688, filed Mar. 14, 2019, Asprey et al.
(Continued)

Primary Examiner — Wendy L Arminio
(74) *Attorney, Agent, or Firm* — Perkins Coie LLP

(57) **CLAIM**

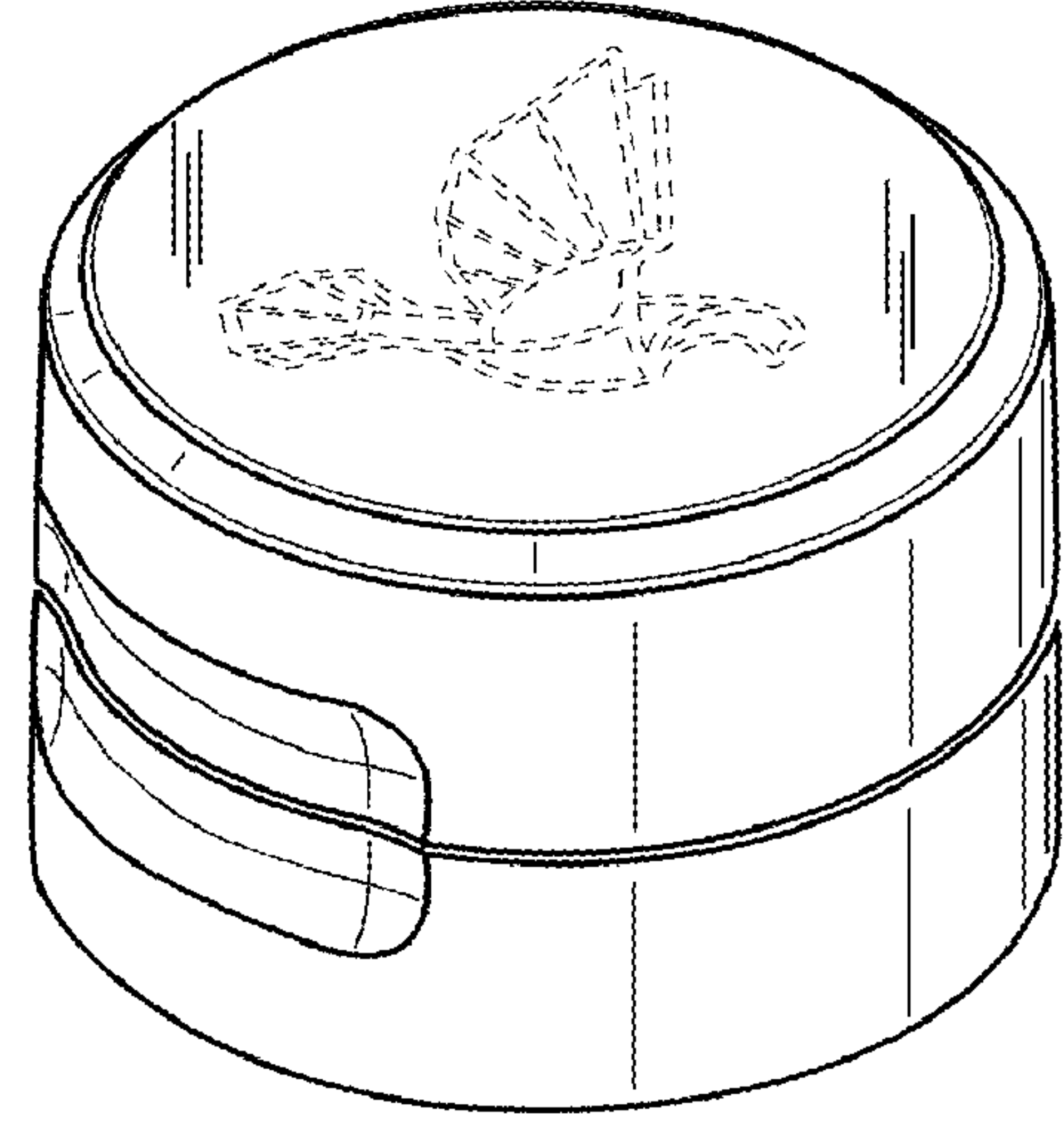
The ornamental design for a bottle cap, as shown and described.

DESCRIPTION

FIG. 1 is a perspective view of a bottle cap. FIG. 2 is a front side view of the bottle cap. FIG. 3 is a back side view of the bottle cap. FIG. 4 is a right side view of the bottle cap. FIG. 5 is a left side view of the bottle cap. FIG. 6 is a top view of the bottle cap; and, FIG. 7 is a bottom view of the bottle cap. The details shown in broken lines depict portions of the bottle cap that form no part of the claimed design.

1 Claim, 2 Drawing Sheets

- (56) **References Cited**
U.S. PATENT DOCUMENTS
D70,591 S * 7/1926 Anderson D9/602
D139,331 S 10/1944 Teunisz



(56)

References Cited

U.S. PATENT DOCUMENTS

D559,115 S 1/2008 Heisner
 D565,959 S 4/2008 Hadtke
 D577,999 S * 10/2008 Pivert D9/451
 D584,613 S * 1/2009 Yan D9/449
 D586,213 S * 2/2009 Wells D9/453
 D588,915 S * 3/2009 Lohrman D9/449
 D601,020 S * 9/2009 Arnell D9/451
 D607,726 S * 1/2010 Wisniewski D9/449
 D652,735 S 1/2012 Chen
 D654,797 S 2/2012 Chen
 D663,202 S 7/2012 Biesecker et al.
 D672,250 S 12/2012 Austin et al.
 D673,859 S 1/2013 Austin et al.
 D679,606 S * 4/2013 Bonadio D9/602
 D687,311 S 8/2013 Austin et al.
 D691,484 S 10/2013 Fitzgerald
 D696,959 S 1/2014 Austin et al.
 D713,723 S * 9/2014 den Boer D9/449
 D748,485 S 2/2016 Marret
 D748,487 S 2/2016 Fitts
 D750,959 S 3/2016 Nordenskjold et al.
 D751,411 S 3/2016 Austin et al.
 D751,894 S 3/2016 Nordenskjold et al.
 D769,715 S * 10/2016 Bois D9/449
 D780,588 S 3/2017 Miller et al.
 D780,589 S 3/2017 Miller et al.
 D784,821 S 4/2017 Kuzma et al.
 D797,568 S 9/2017 Miller et al.

D815,540 S 4/2018 Miller et al.
 D818,309 S * 5/2018 Jasso Gomez D9/449
 D847,633 S * 5/2019 Berge D9/449
 D847,642 S * 5/2019 Dunn G01F 19/002
 D863,962 S * 10/2019 Bakic D9/449
 D867,814 S * 11/2019 Bodum D7/392.1
 D878,571 S 3/2020 Davis et al.
 D878,572 S 3/2020 Davis et al.
 2010/0072163 A1 * 3/2010 Krause B65D 51/245
 2018/0162606 A1 * 6/2018 Zeng B65D 47/32
 2018/0207061 A1 * 7/2018 Fox A61J 1/1406

FOREIGN PATENT DOCUMENTS

CN 304202933 7/2017
 CN 304587310 4/2018

OTHER PUBLICATIONS

U.S. Appl. No. 29/683,681, filed Mar. 14, 2019, Asprey et al.
 U.S. Appl. No. 29/683,682, filed Mar. 14, 2019, Asprey et al.
 U.S. Appl. No. 29/683,683, filed Mar. 14, 2019, Asprey et al.
 U.S. Appl. No. 29/683,685, filed Mar. 14, 2019, Asprey et al.
 Bulletproof, Pour Spout, Apr. 18, 2019, Bulletproof Facebook Post,
 URL: <https://www.facebook.com/Bulletproof/photos/a.729392853775019/2090747007639590/?type=3&theater> (Year: 2019).

* cited by examiner

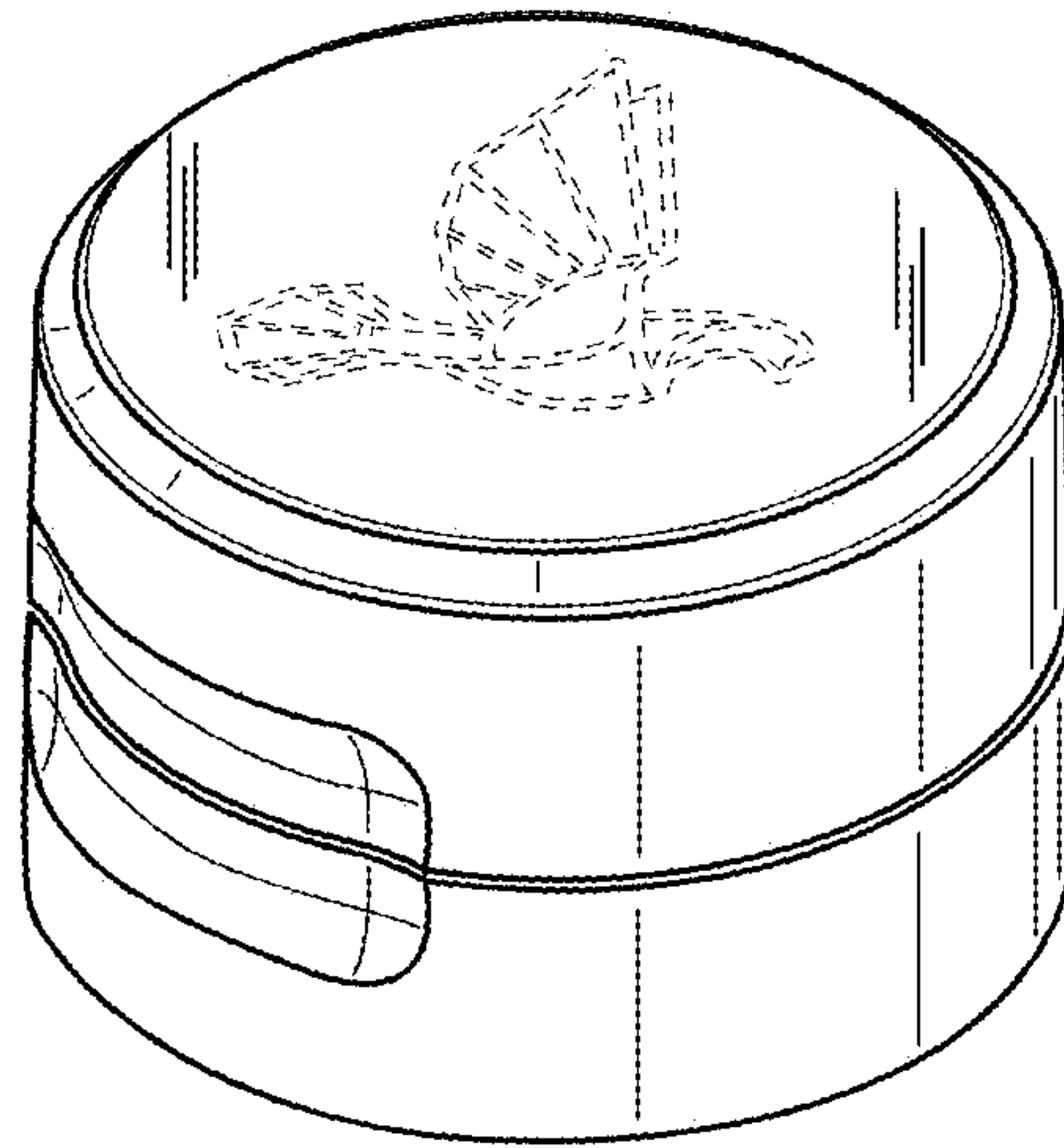


FIGURE 1

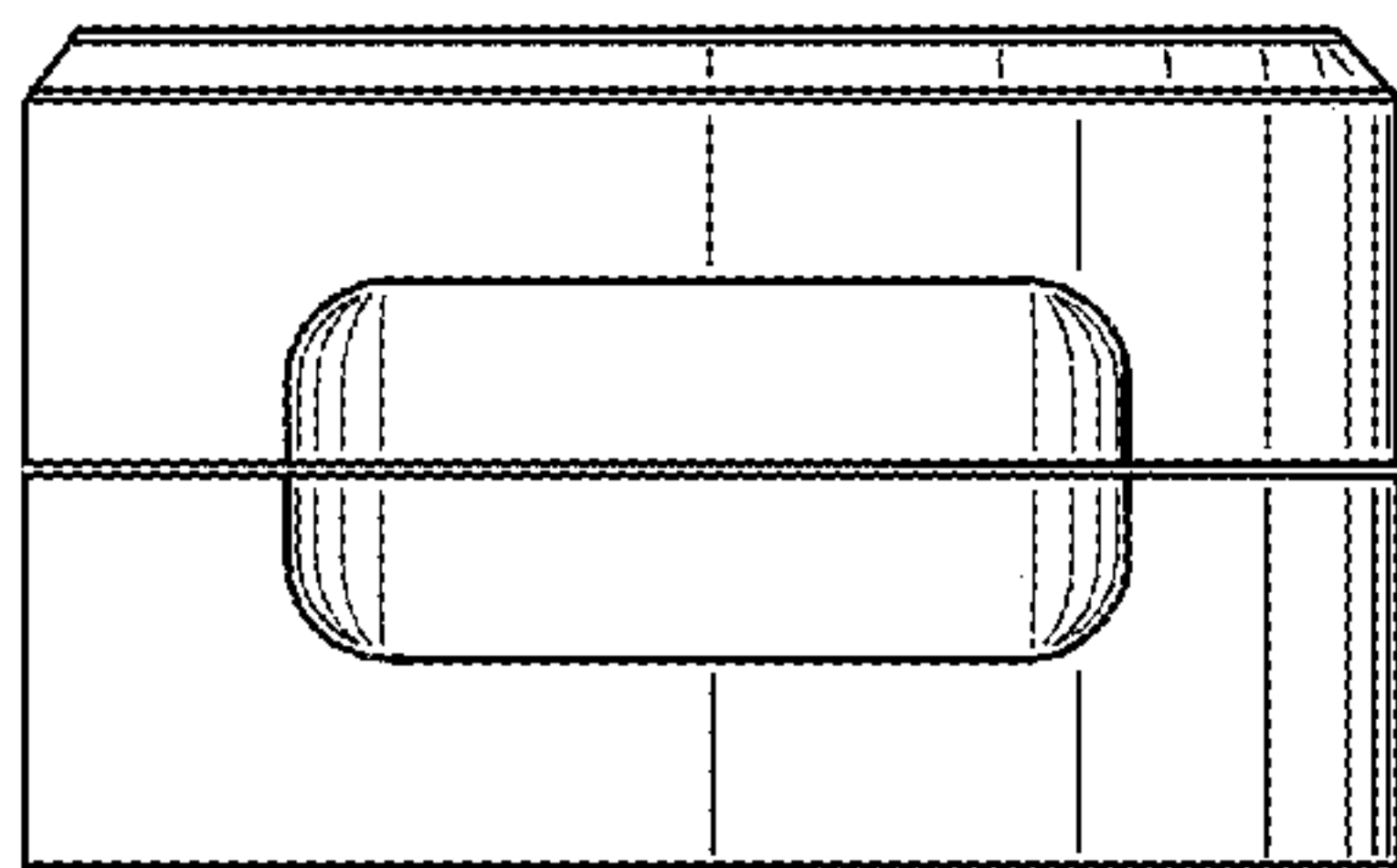


FIGURE 2

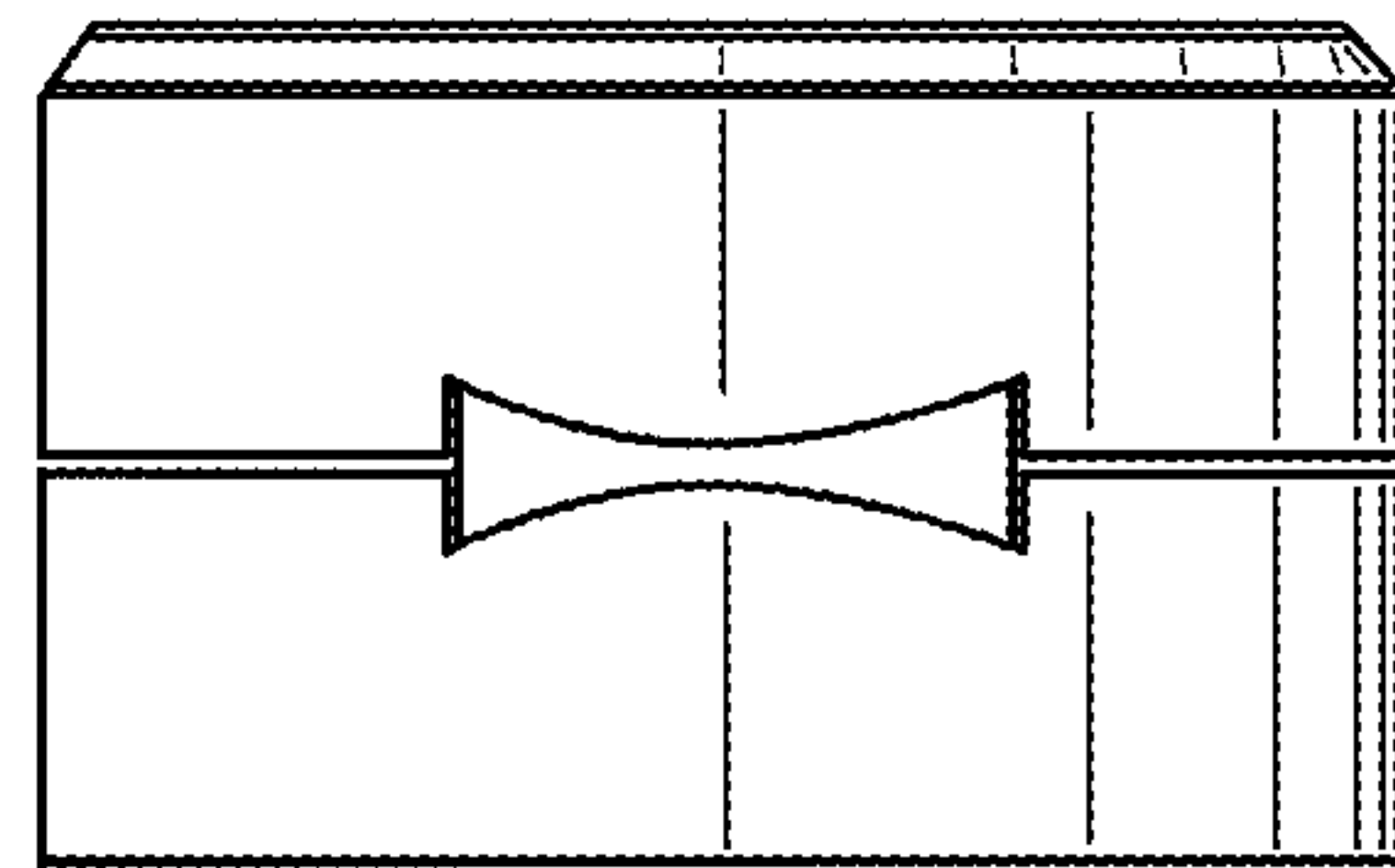


FIGURE 3

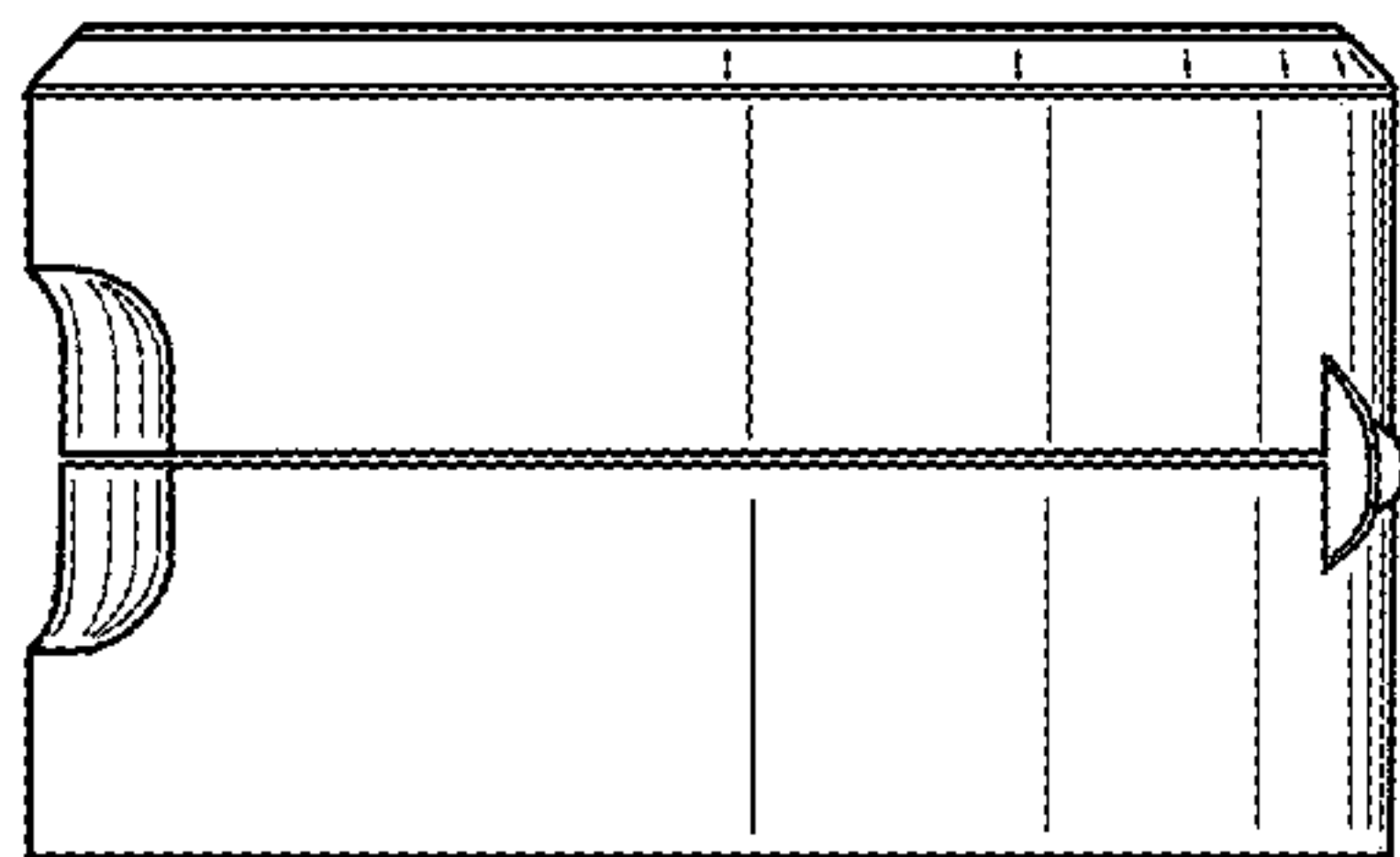


FIGURE 4

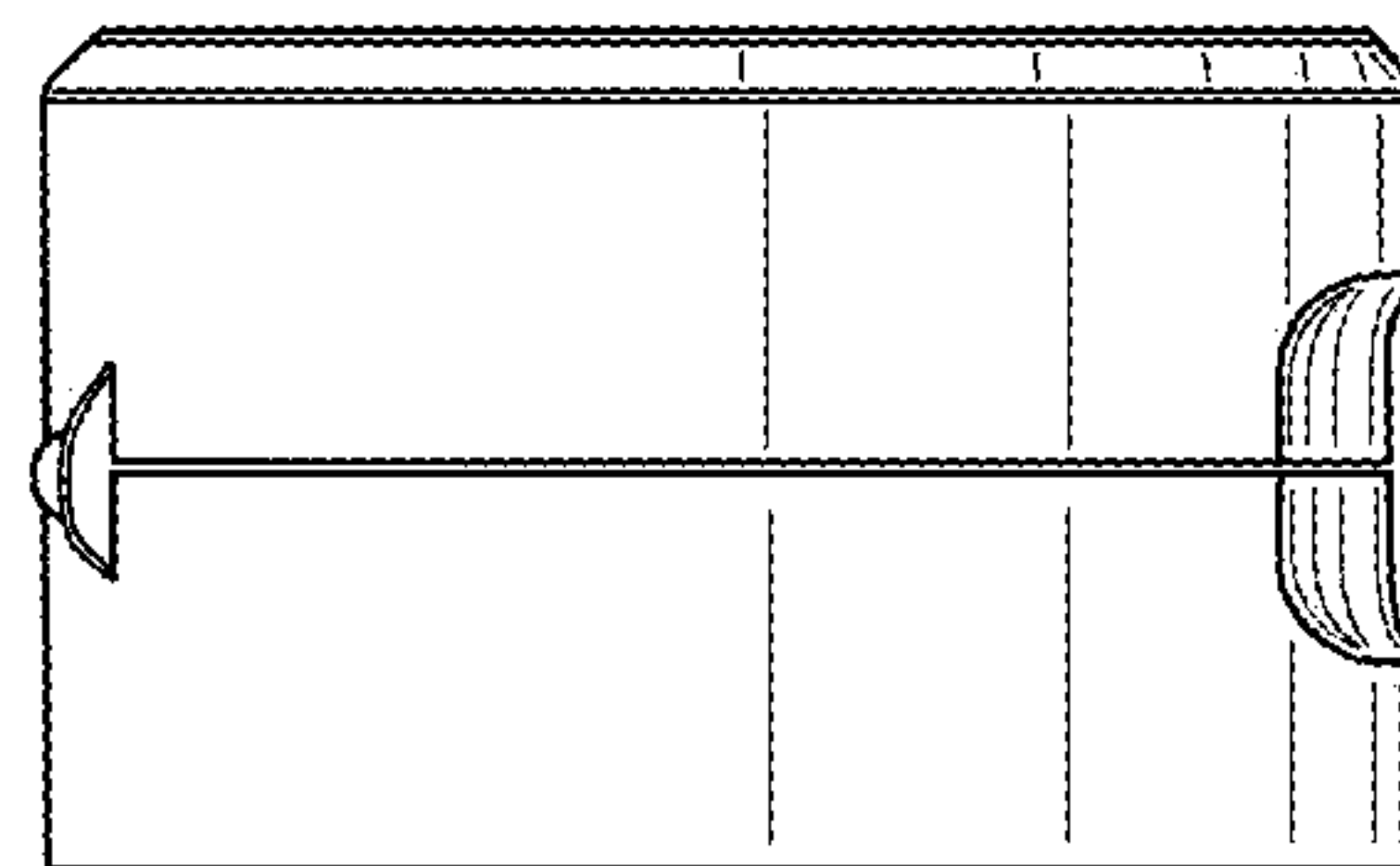


FIGURE 5

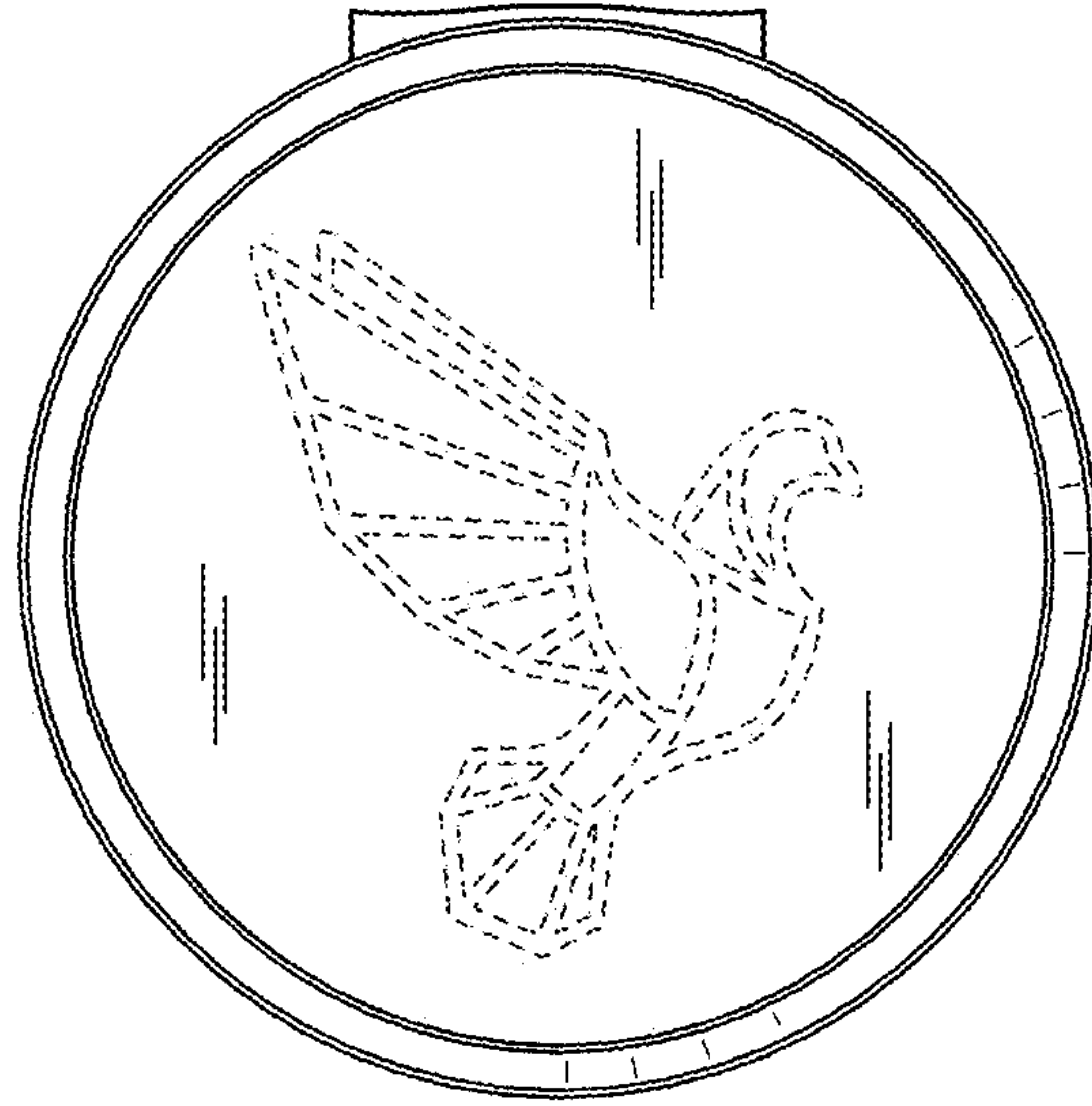


FIGURE 6

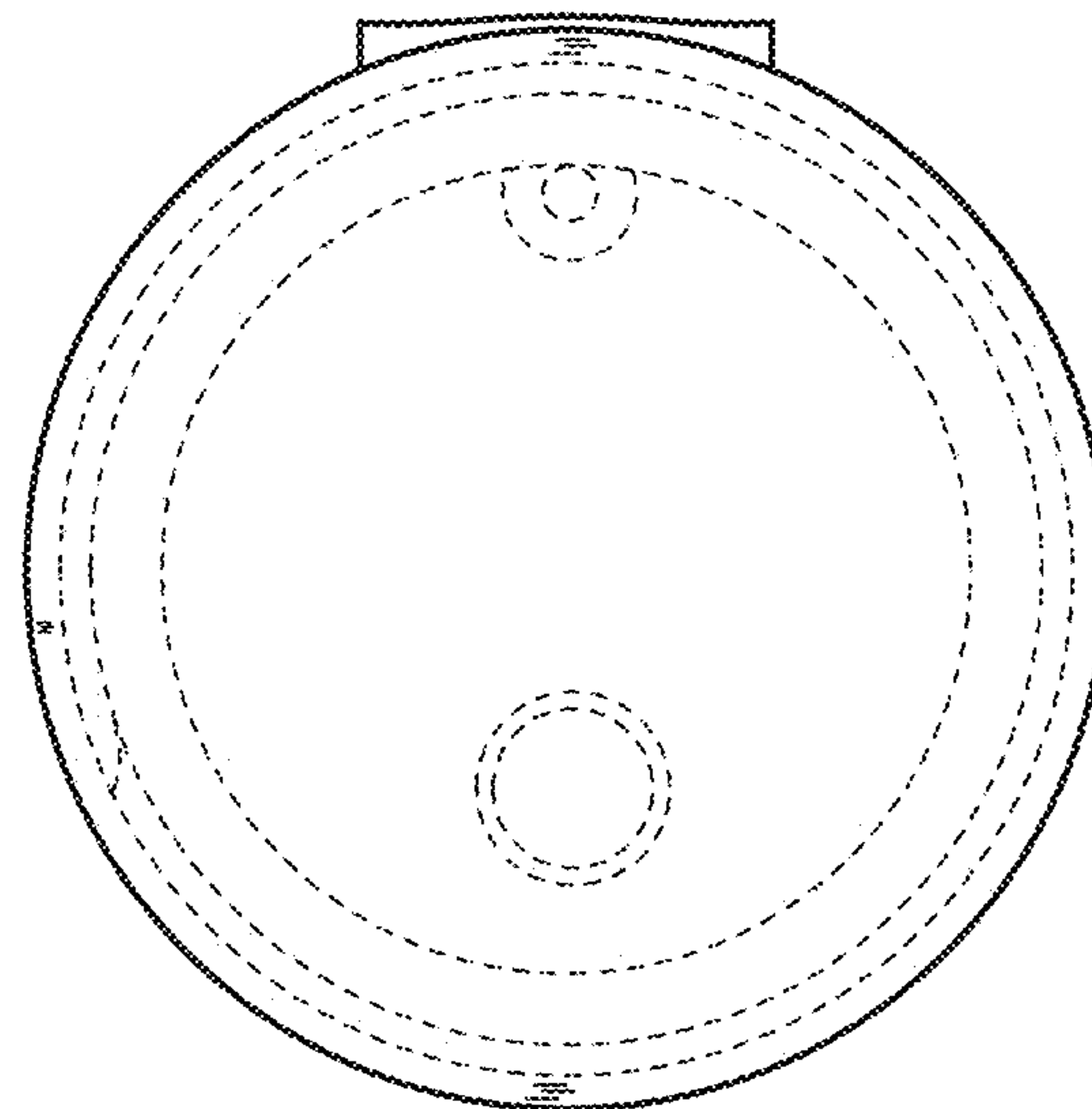


FIGURE 7