



US00D931100S

(12) **United States Design Patent**
Rudkin et al.

(10) **Patent No.:** **US D931,100 S**

(45) **Date of Patent:** **** Sep. 21, 2021**

(54) **VALVE FOR AEROSOL CONTAINER**

(71) Applicant: **Reckitt & Colman (Overseas)**
Hygiene Home Limited, Slough (GB)

(72) Inventors: **Scott Rudkin, Hull (GB); Christopher**
Witty, Hull (GB)

(73) Assignee: **Reckitt & Colman (Overseas)**
Hygiene Home Limited, Slough (GB)

(**) Term: **15 Years**

(21) Appl. No.: **29/727,184**

(22) Filed: **Mar. 9, 2020**

(30) **Foreign Application Priority Data**

Oct. 1, 2019 (EP) 006961207-0002

(51) **LOC (13) Cl.** **09-07**

(52) **U.S. Cl.**
USPC **D9/448**

(58) **Field of Classification Search**
USPC D9/434, 435, 440, 443, 447-450, 499,
D9/682, 685-691; D6/515, 530,
D6/542-545; D7/387, 392, 392.1, 397,
D7/398, 401.1, 589, 590
CPC B05B 11/3059; B05B 11/3001; B05B
1/1654; F04B 9/14

See application file for complete search history.

(56) **References Cited**

U.S. PATENT DOCUMENTS

D659,536 S * 5/2012 Bedford D9/448
D829,099 S * 9/2018 Collinson D9/448
10,752,428 B2 * 8/2020 Das B65D 83/28
10,792,680 B2 * 10/2020 Collinson B05B 1/28

* cited by examiner

Primary Examiner — Gino Colan

(74) *Attorney, Agent, or Firm* — Norris McLaughlin PA

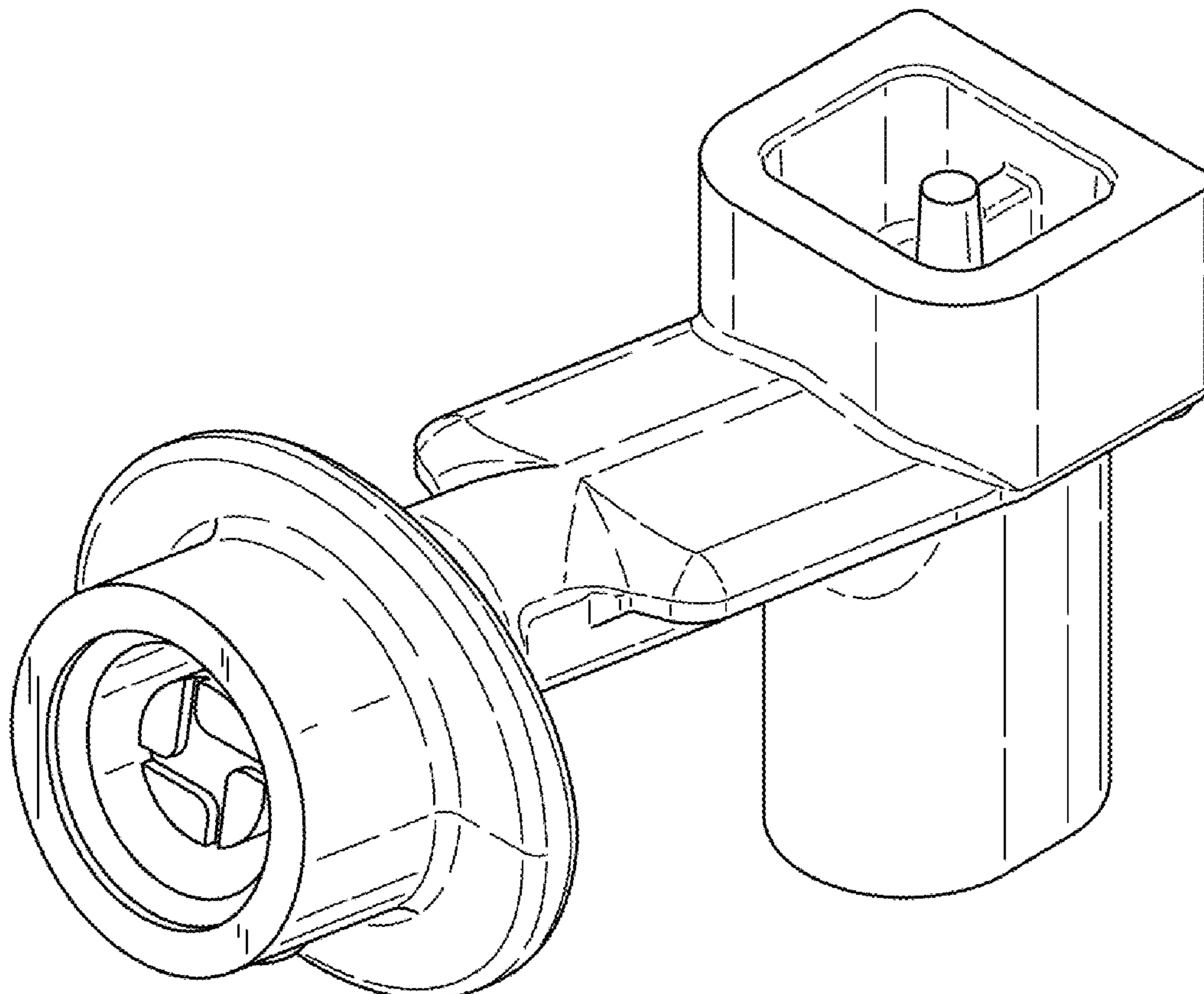
(57) **CLAIM**

The ornamental design for a valve for aerosol container, as shown and described.

DESCRIPTION

FIG. 1 is a front and side perspective view thereof;
FIG. 2 is a front elevational view thereof;
FIG. 3 is a rear elevational view thereof;
FIG. 4 is a left side elevational view thereof;
FIG. 5 is a right side elevational view thereof;
FIG. 6 is a top plan view thereof; and,
FIG. 7 is a bottom plan view thereof.
The portions of the depicted design indicated in broken lines form no part of the claimed design.

1 Claim, 3 Drawing Sheets



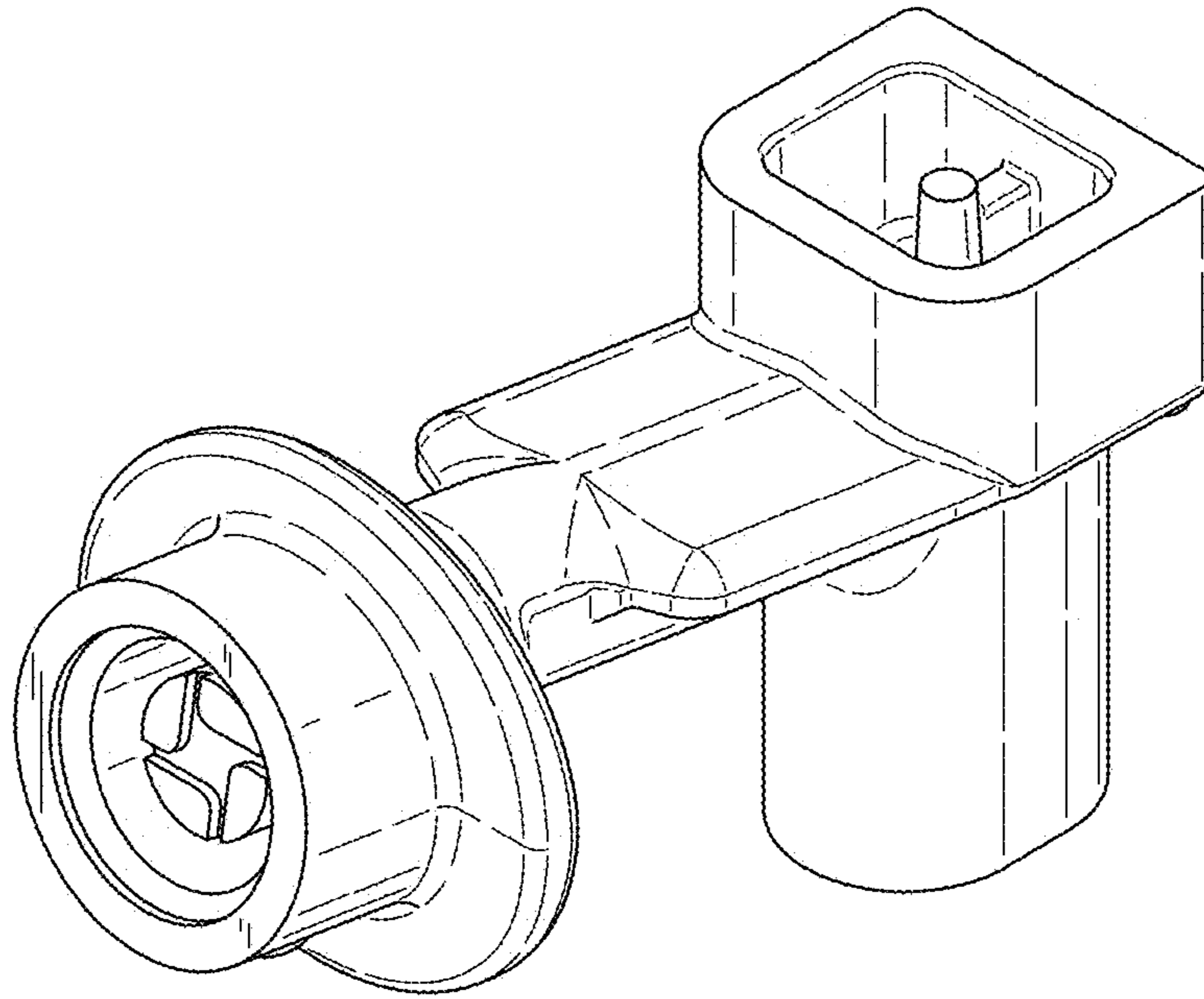


Fig. 1

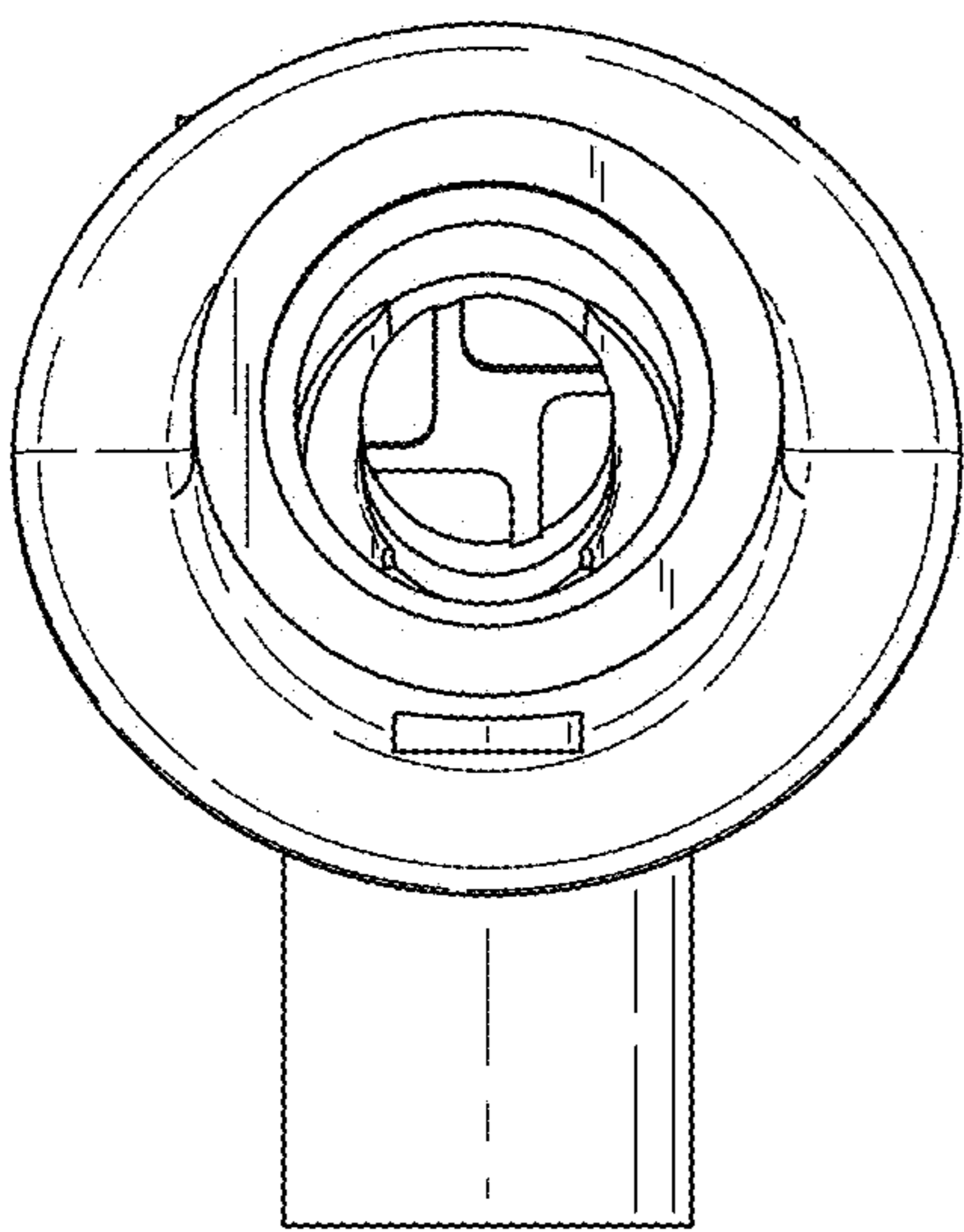


Fig. 2

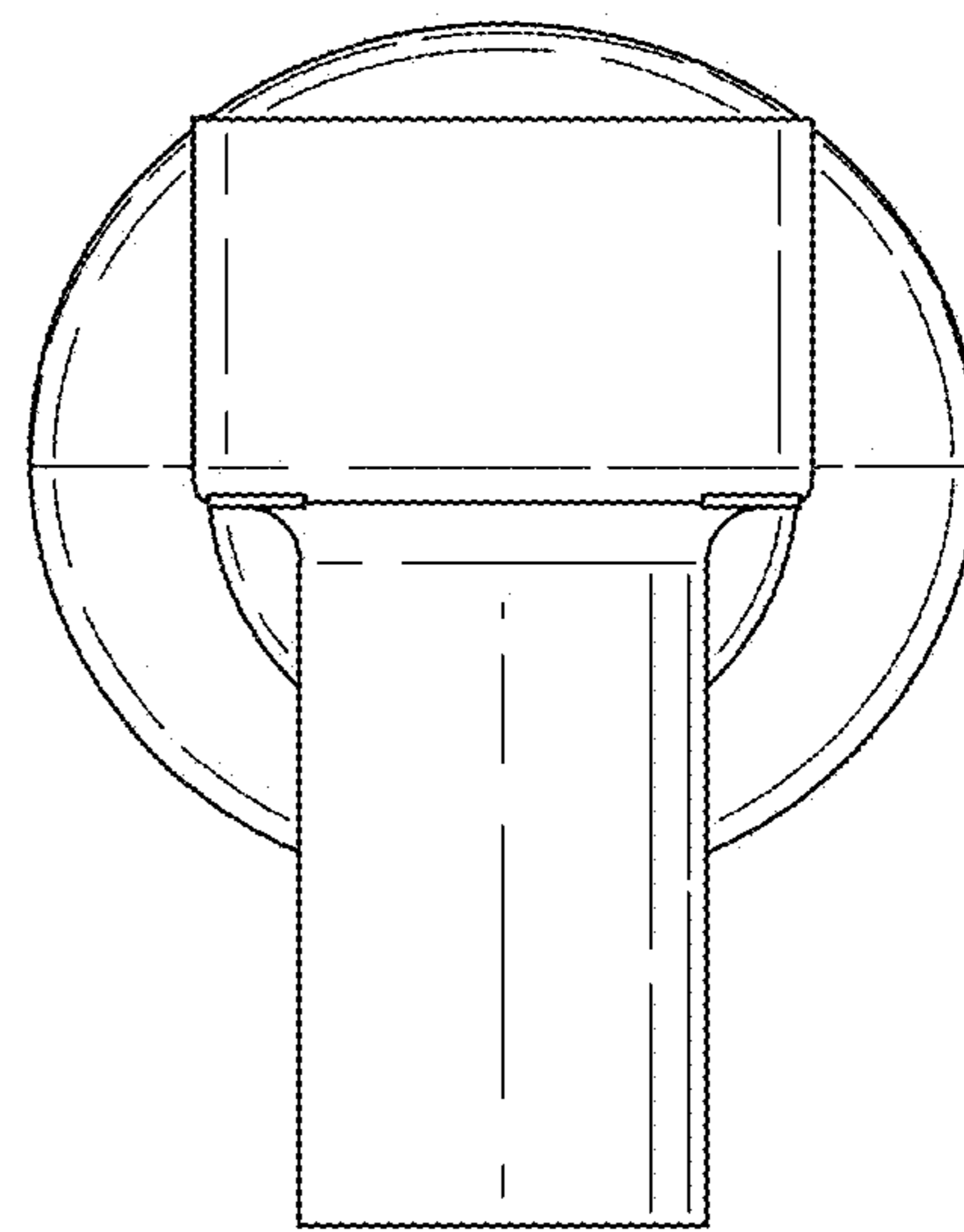


Fig. 3

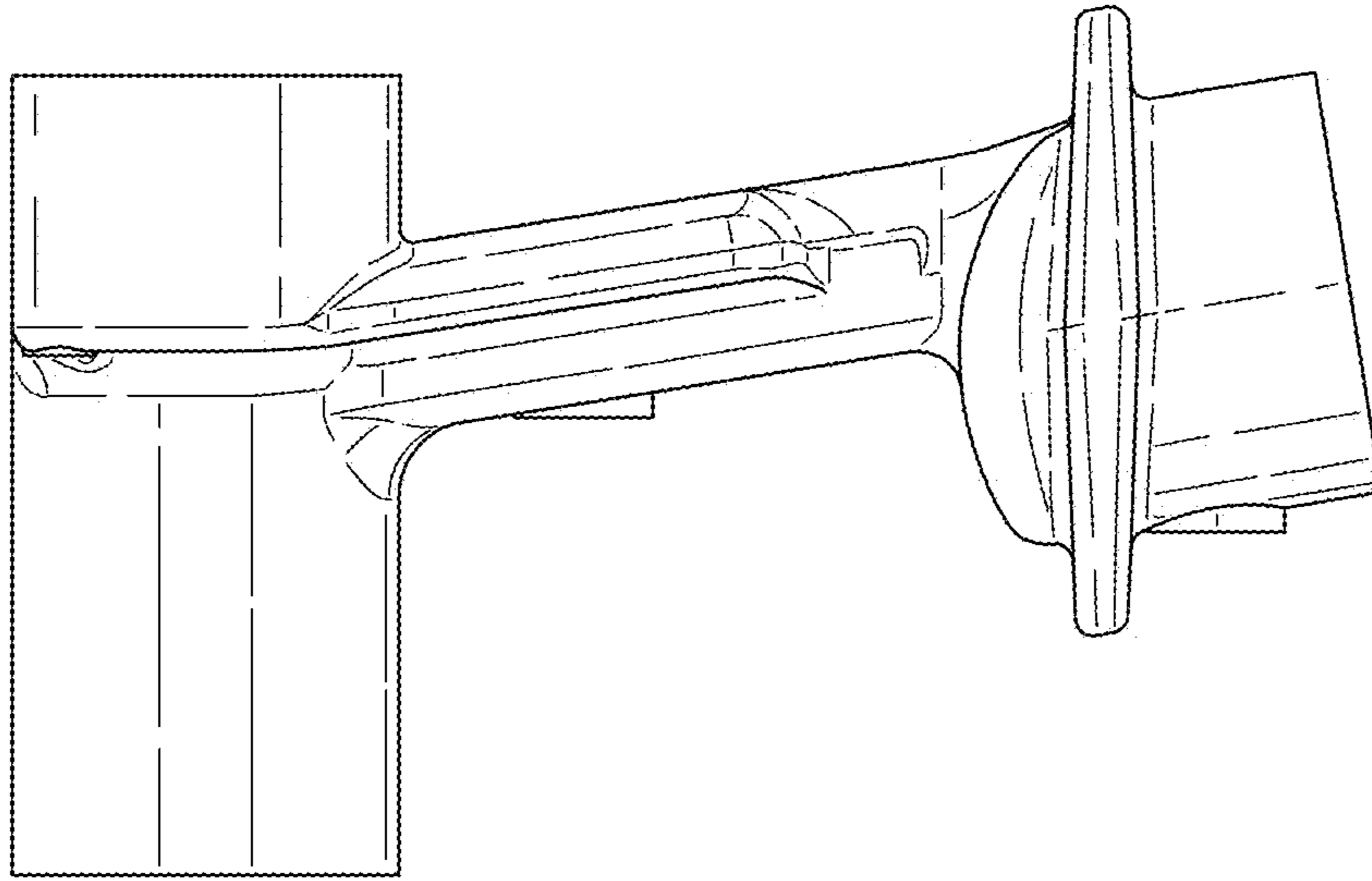


Fig. 4

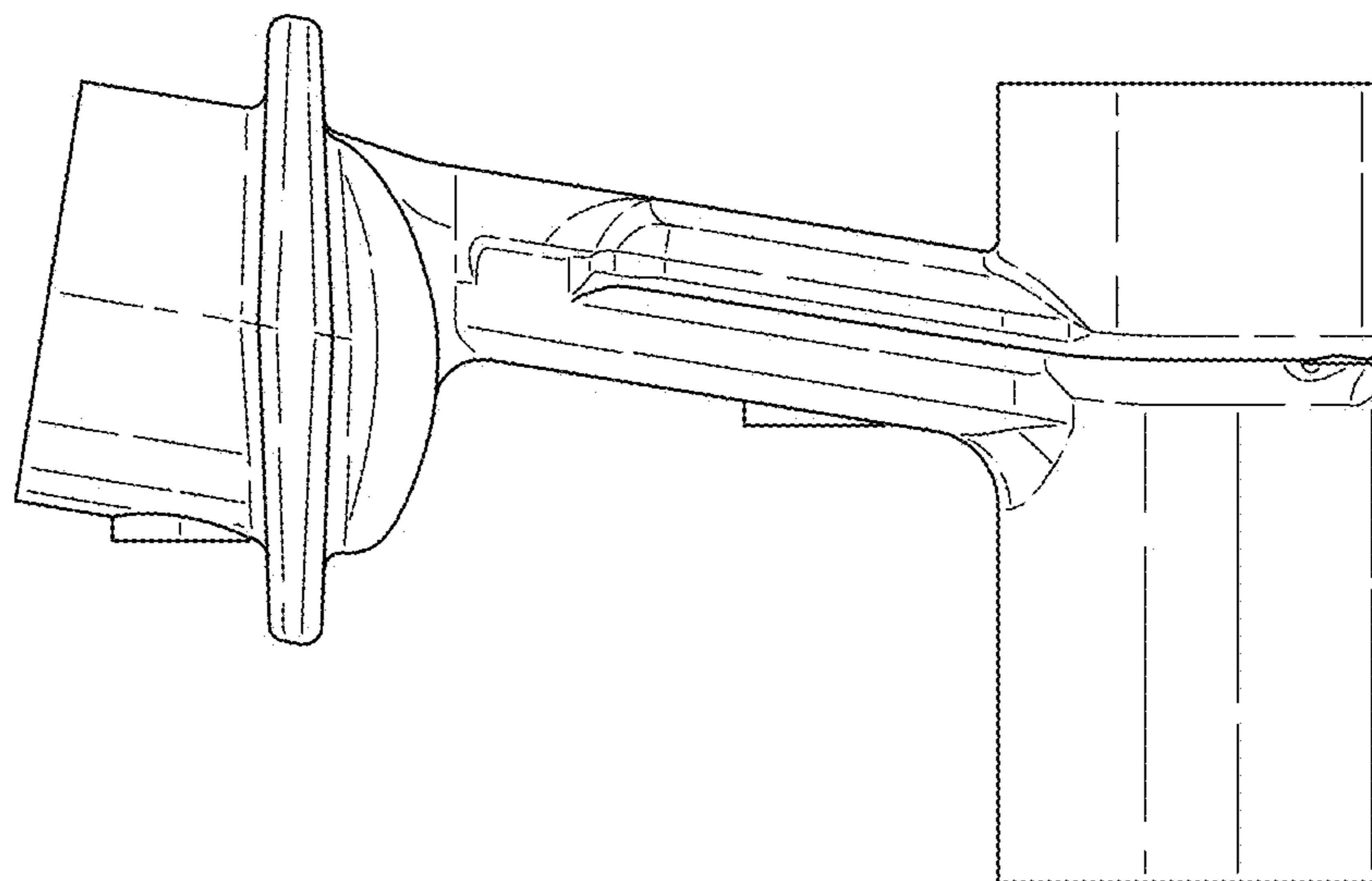


Fig. 5

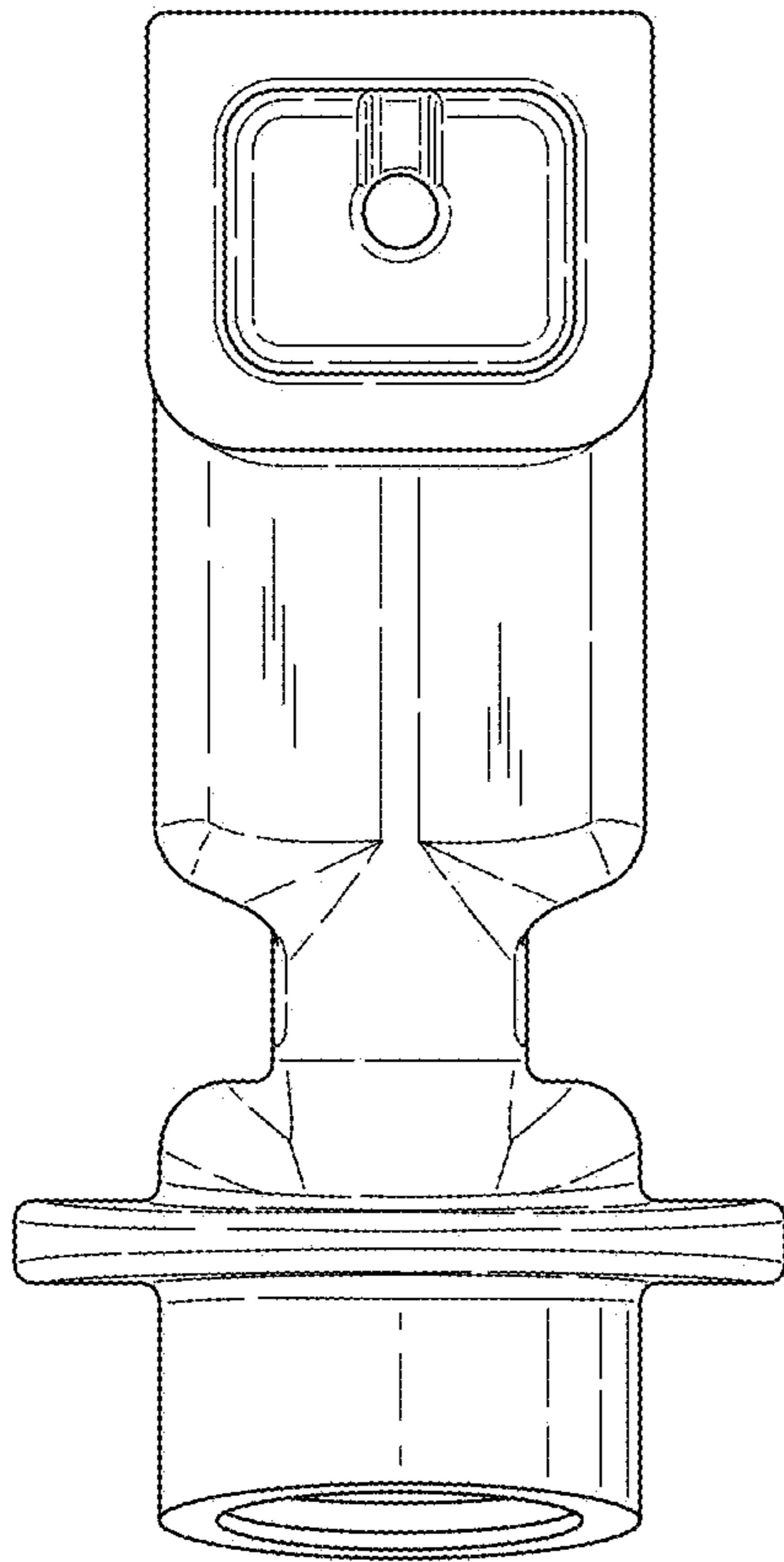


Fig. 6

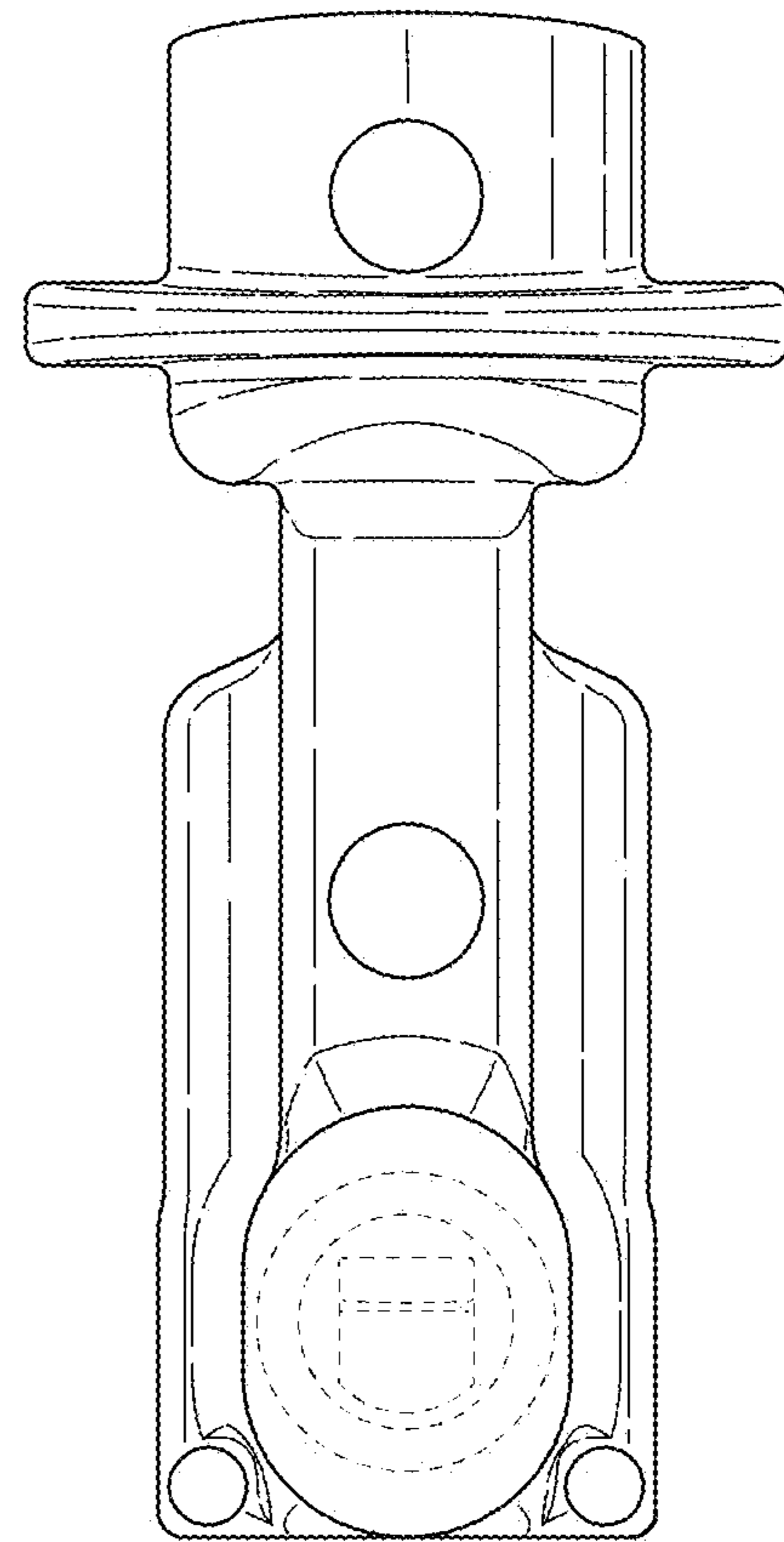


Fig. 7