



US00D931099S

(12) **United States Design Patent**  
**Walsak**

(10) **Patent No.:** **US D931,099 S**

(45) **Date of Patent:** **\*\* Sep. 21, 2021**

(54) **SCREW TOP VESSEL CLOSURE**

(74) *Attorney, Agent, or Firm* — Carla Gannon Law

(71) Applicant: **StoneHusk, LLC**, Wilmington, NC  
(US)

(57) **CLAIM**

I claim the ornamental design for a screw top vessel closure,  
as shown and described.

(72) Inventor: **Dennis Michael Walsak**, Wilmington,  
NC (US)

**DESCRIPTION**

(\*\*) Term: **15 Years**

(21) Appl. No.: **29/648,634**

(22) Filed: **May 23, 2018**

(51) **LOC (13) Cl.** ..... **09-07**

(52) **U.S. Cl.**  
USPC ..... **D9/439; D9/443**

(58) **Field of Classification Search**  
USPC ..... D9/414, 434, 435, 438, 439, 440, 441,  
D9/443-445, 447-455, 499, 501,  
D9/503-505, 516, 517, 529, 682, 685,  
D9/686, 902, 903; D7/387, 391, 392,  
D7/392.1, 396.1, 396.2, 396.4, 403, 507,  
D7/509-511, 538, 629, 900; D3/202,  
D3/203.2, 294, 318; D28/91, 91.1  
CPC .. A61J 1/00; A61J 1/1412; B65D 1/00; B65D  
1/02; B65D 1/10; B65D 1/46; B65D  
5/46; B65D 41/00; B65D 41/38; B65D  
41/56; B65D 41/62; B65D 47/00; B65D  
47/06; B65D 47/08; B65D 2251/00;  
B65D 2543/00046; B65D 2543/00092;  
B65D 2543/00296

See application file for complete search history.

(56) **References Cited**

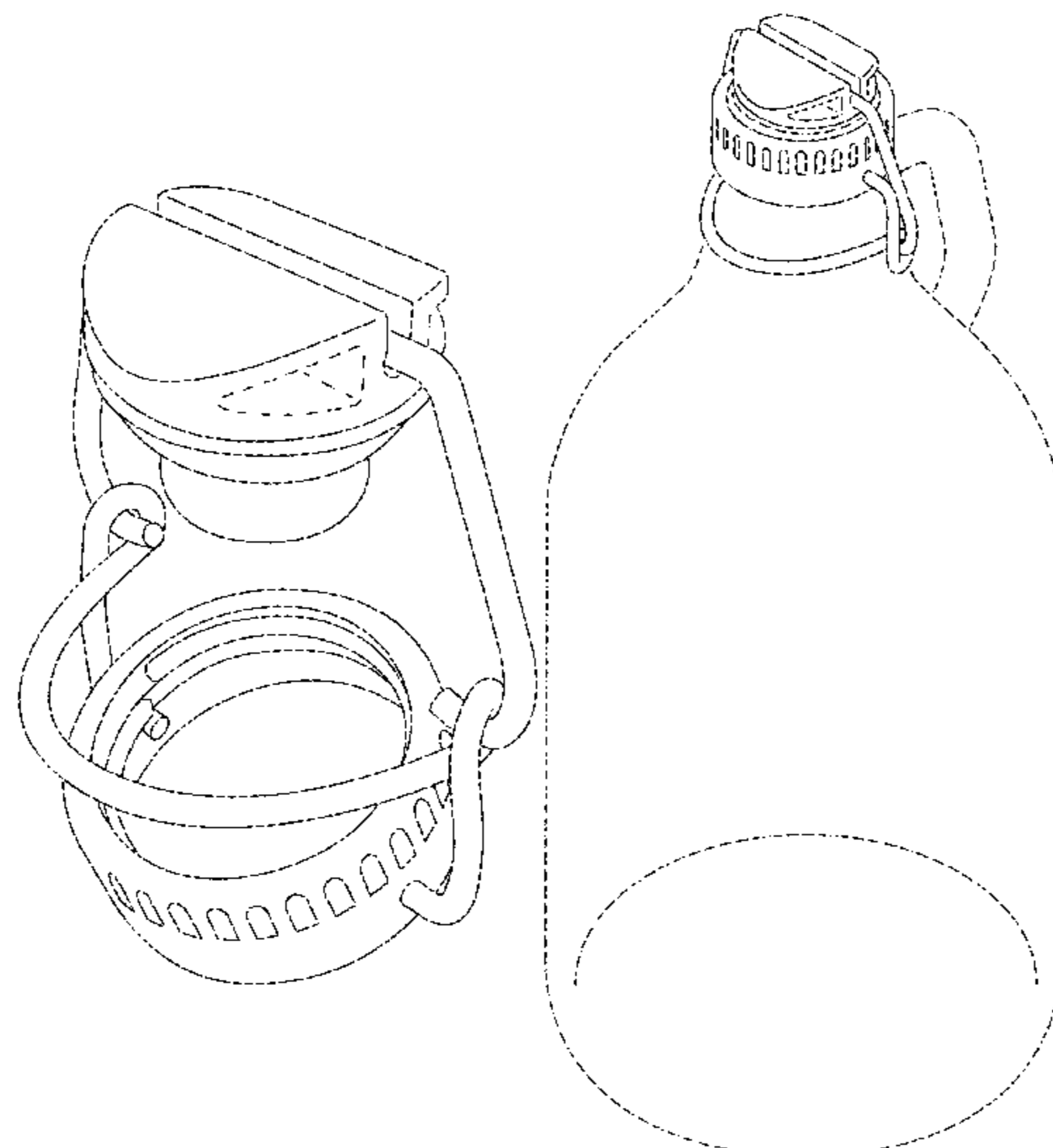
**U.S. PATENT DOCUMENTS**

259,418 A \* 6/1882 Norris ..... B65D 47/0814  
215/235  
590,908 A \* 9/1897 Pendleton, Jr. .... B65D 51/145  
215/276

(Continued)

*Primary Examiner* — Wendy L Arminio

**1 Claim, 11 Drawing Sheets**



(56)

References Cited

U.S. PATENT DOCUMENTS

1,240,511 A \* 9/1917 Thatcher ..... B65D 45/28  
 215/290  
 1,338,494 A \* 4/1920 Daniel ..... B65D 45/30  
 215/272  
 1,369,477 A \* 2/1921 Simenowsky ..... B65D 45/06  
 215/239  
 1,575,556 A \* 3/1926 Eick ..... B65D 45/24  
 215/239  
 1,669,216 A \* 5/1928 Stanley ..... B65D 45/04  
 215/238  
 2,044,837 A \* 6/1936 Davis ..... B65D 35/42  
 220/315  
 D149,834 S \* 6/1948 Perkins ..... D9/443  
 D276,790 S \* 12/1984 Laske ..... D9/443  
 D284,549 S \* 7/1986 Vaussanvin ..... D9/439  
 D306,970 S \* 4/1990 Bauer-Secundus ..... D9/536  
 D342,903 S \* 1/1994 Ricci ..... D9/439

D352,002 S \* 11/1994 Culter ..... D9/434  
 D414,685 S \* 10/1999 Chahed ..... D9/443  
 D415,426 S \* 10/1999 Herrmann ..... D9/448  
 D682,692 S \* 5/2013 Adjeleian ..... D9/439  
 D688,943 S \* 9/2013 Hasegawa ..... D9/435  
 D742,754 S \* 11/2015 Roth ..... D9/439  
 D743,269 S \* 11/2015 Pape ..... D9/550  
 D743,270 S \* 11/2015 Roth ..... D9/439  
 D784,146 S \* 4/2017 Notheis ..... D9/443  
 D787,935 S \* 5/2017 Kaiser ..... D9/435  
 D794,460 S \* 8/2017 Notheis ..... D9/443  
 D818,361 S \* 5/2018 Kaiser ..... D9/435  
 D855,472 S \* 8/2019 Scheffler ..... D9/443  
 D871,914 S \* 1/2020 Harte ..... D9/443  
 10,583,967 B2 \* 3/2020 Watkins ..... B65D 39/0082  
 2011/0042342 A1 \* 2/2011 Adjeleian ..... B65D 45/06  
 215/355  
 2017/0015462 A1 \* 1/2017 Roth ..... B65D 41/0471  
 2019/0241323 A1 \* 8/2019 Walsak ..... B65D 41/0435

\* cited by examiner

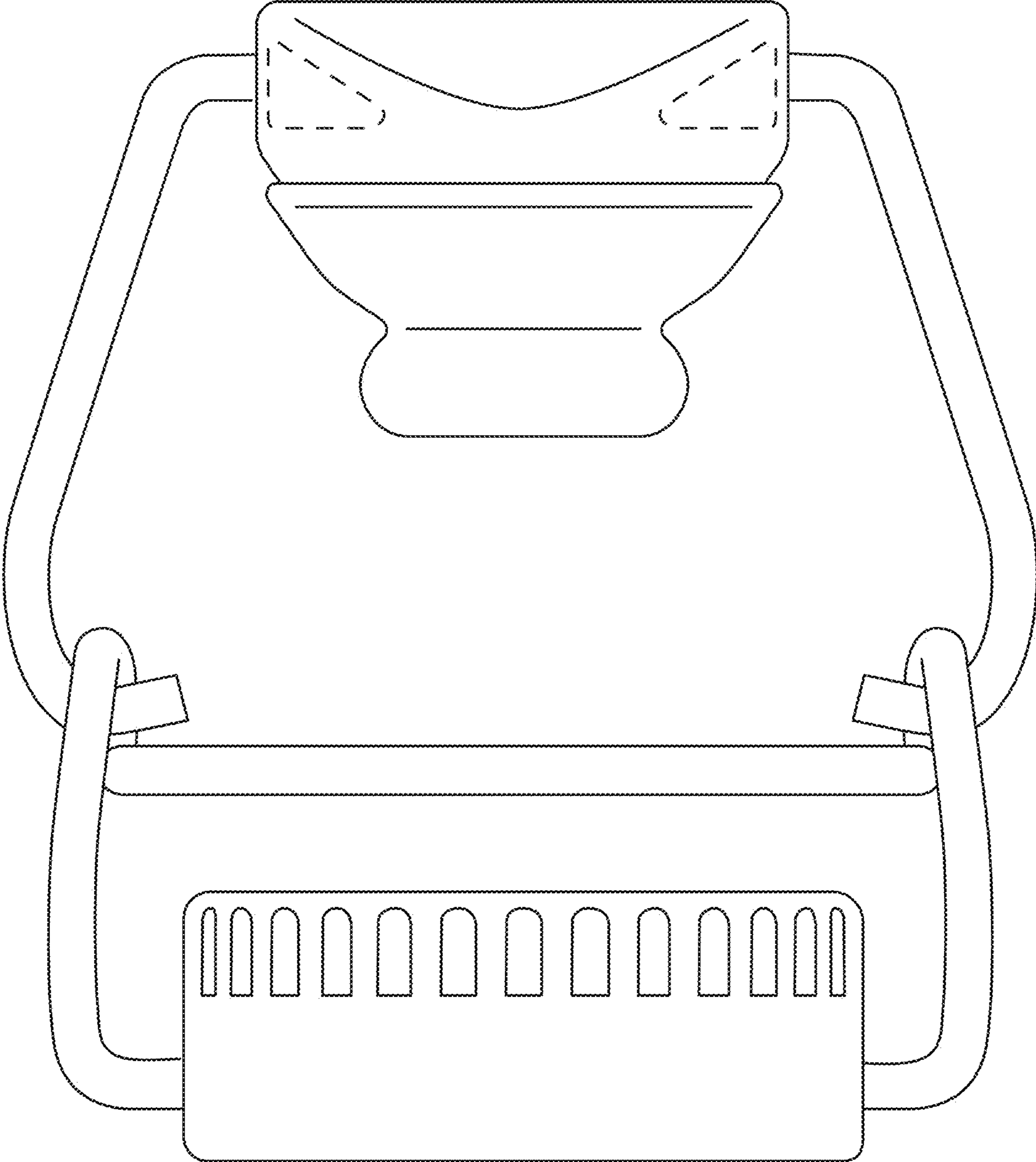


FIG. 1

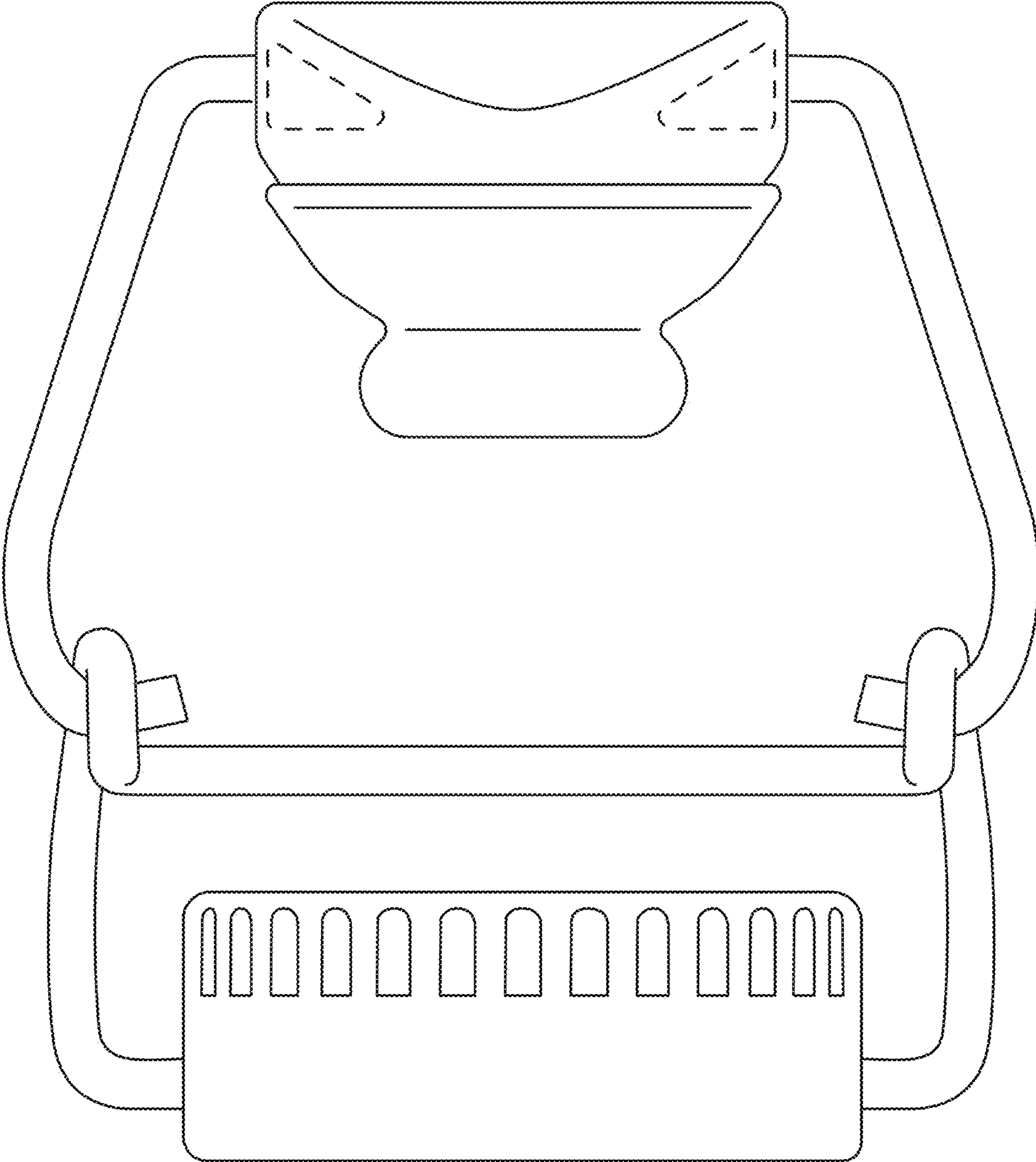


FIG. 2

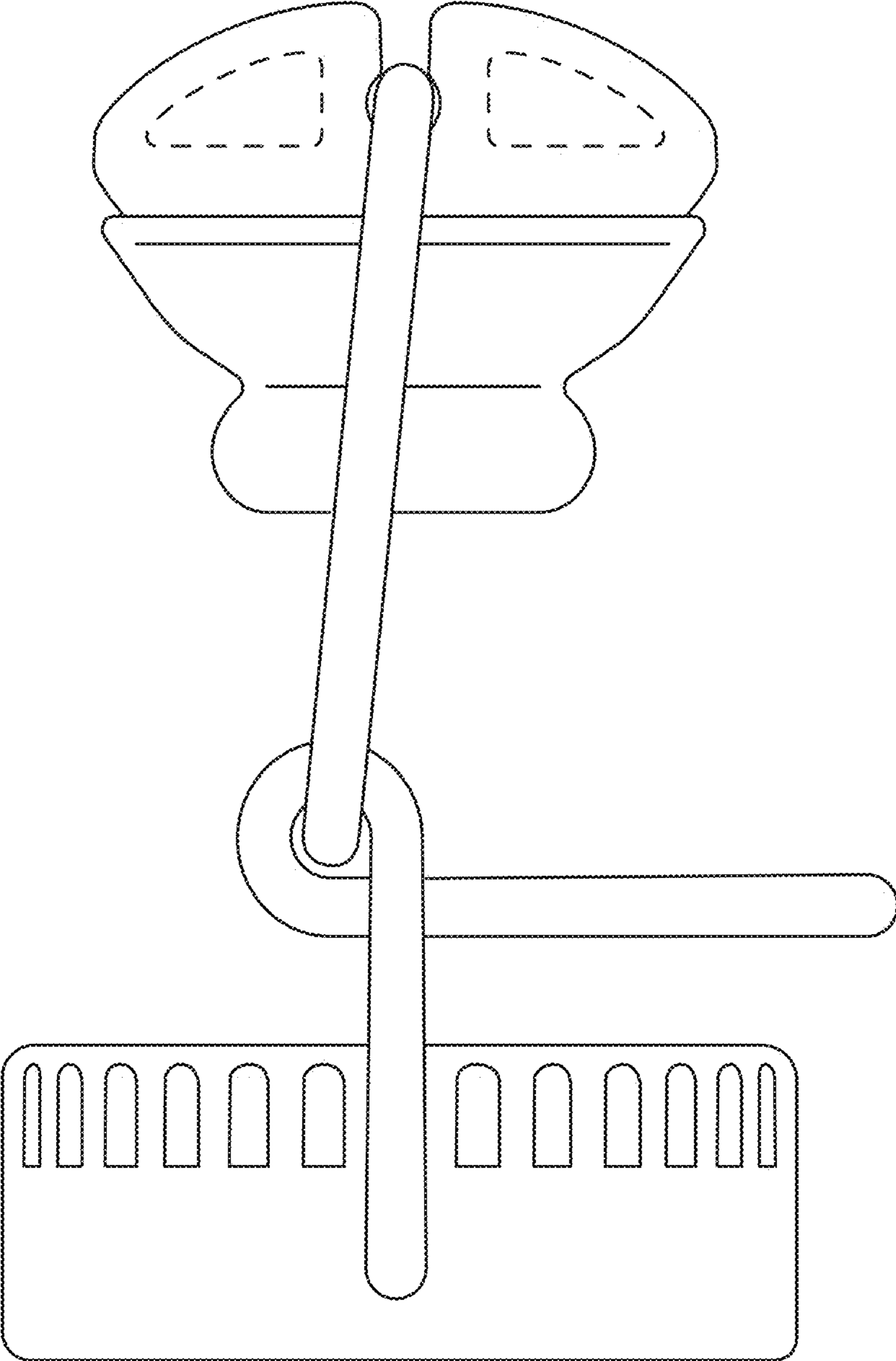


FIG. 3

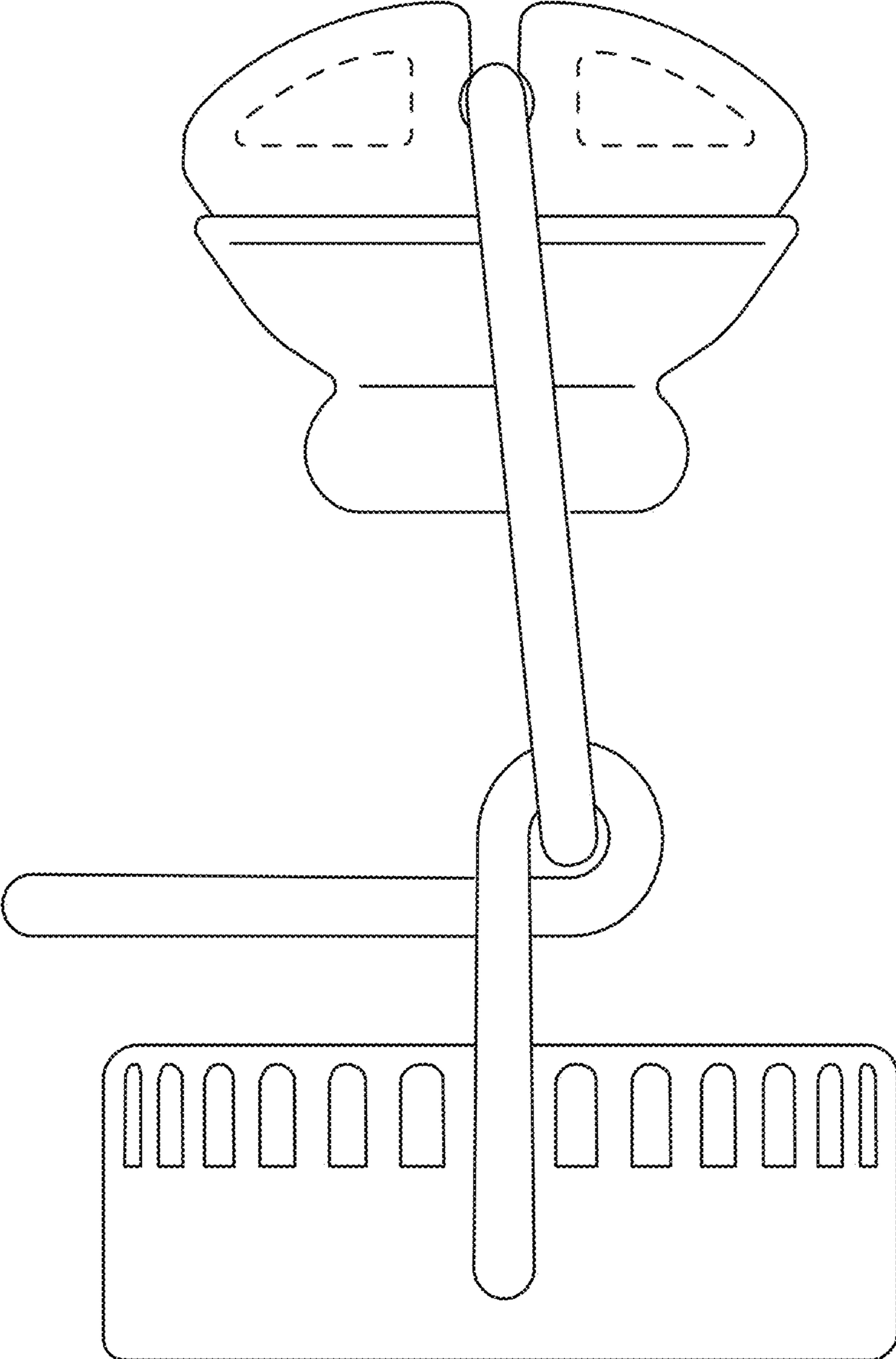


FIG. 4

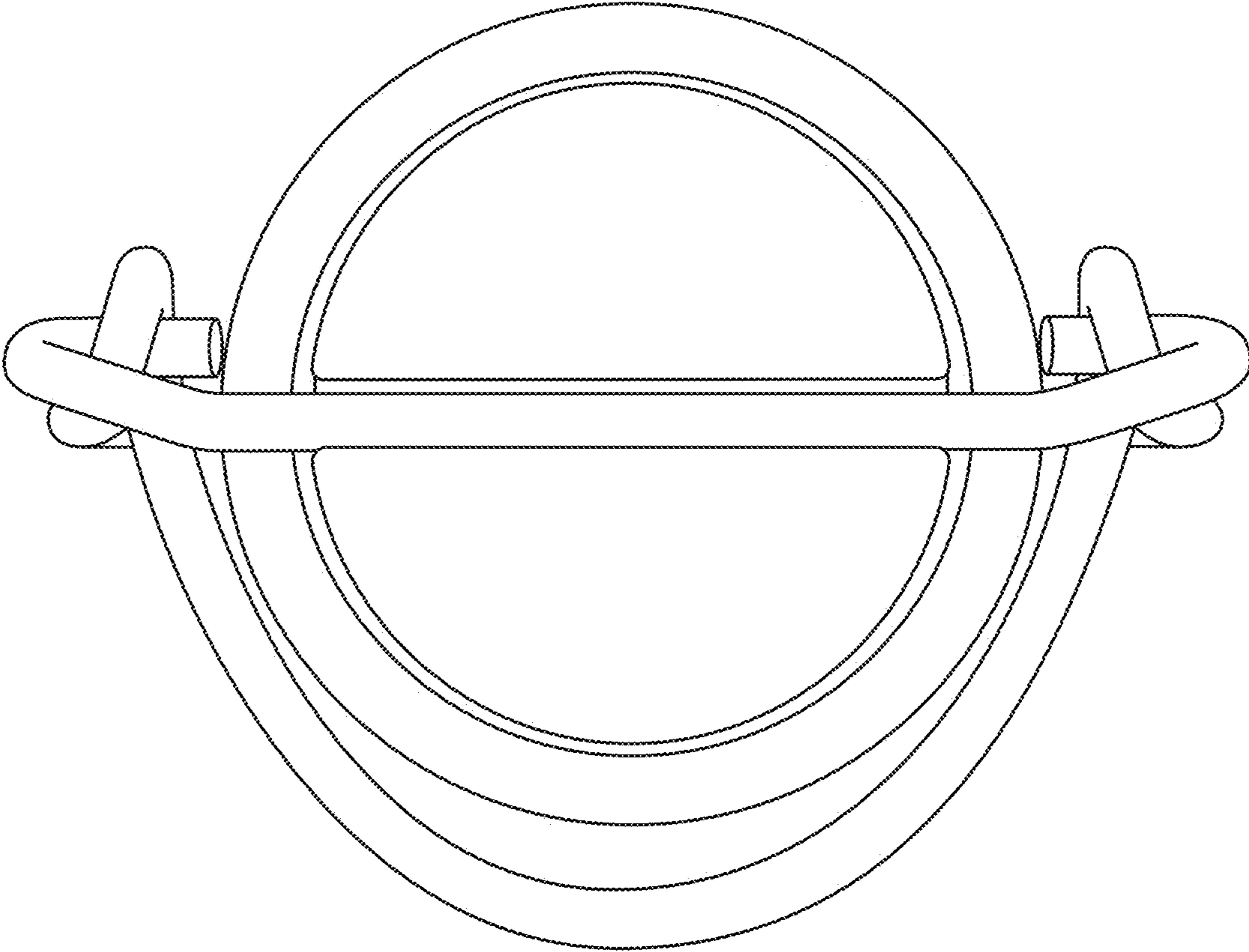


FIG. 5

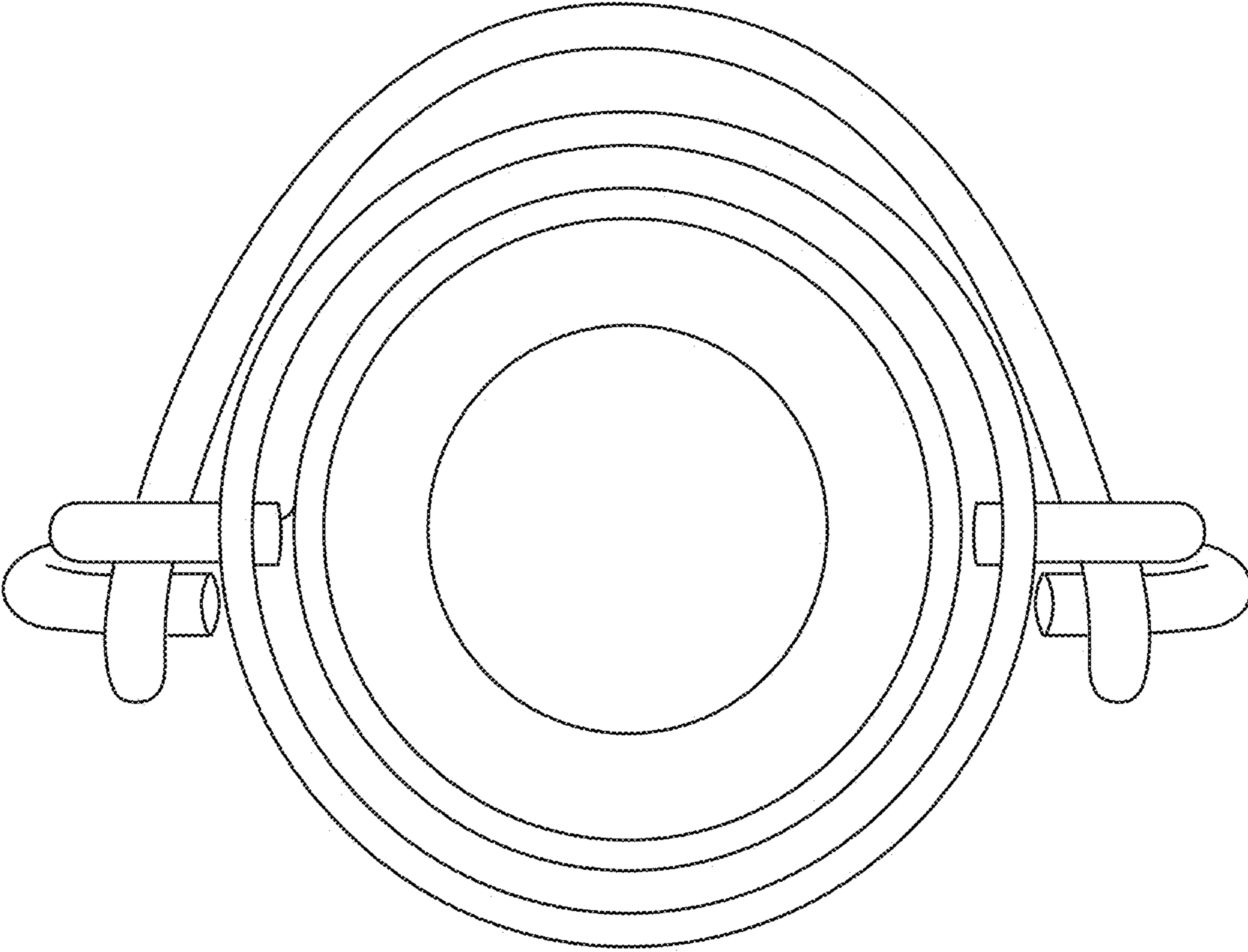


FIG. 6



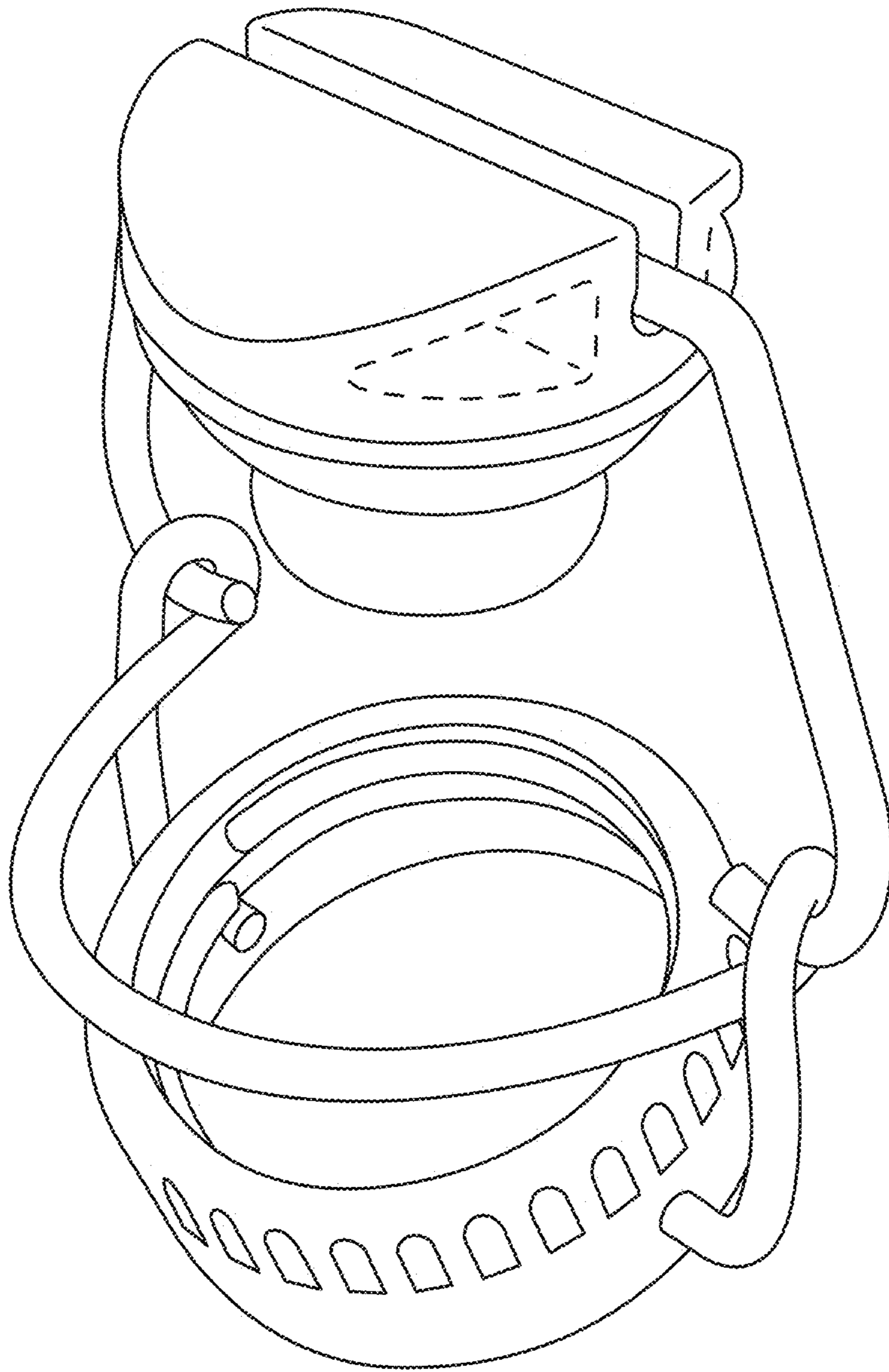


FIG. 7

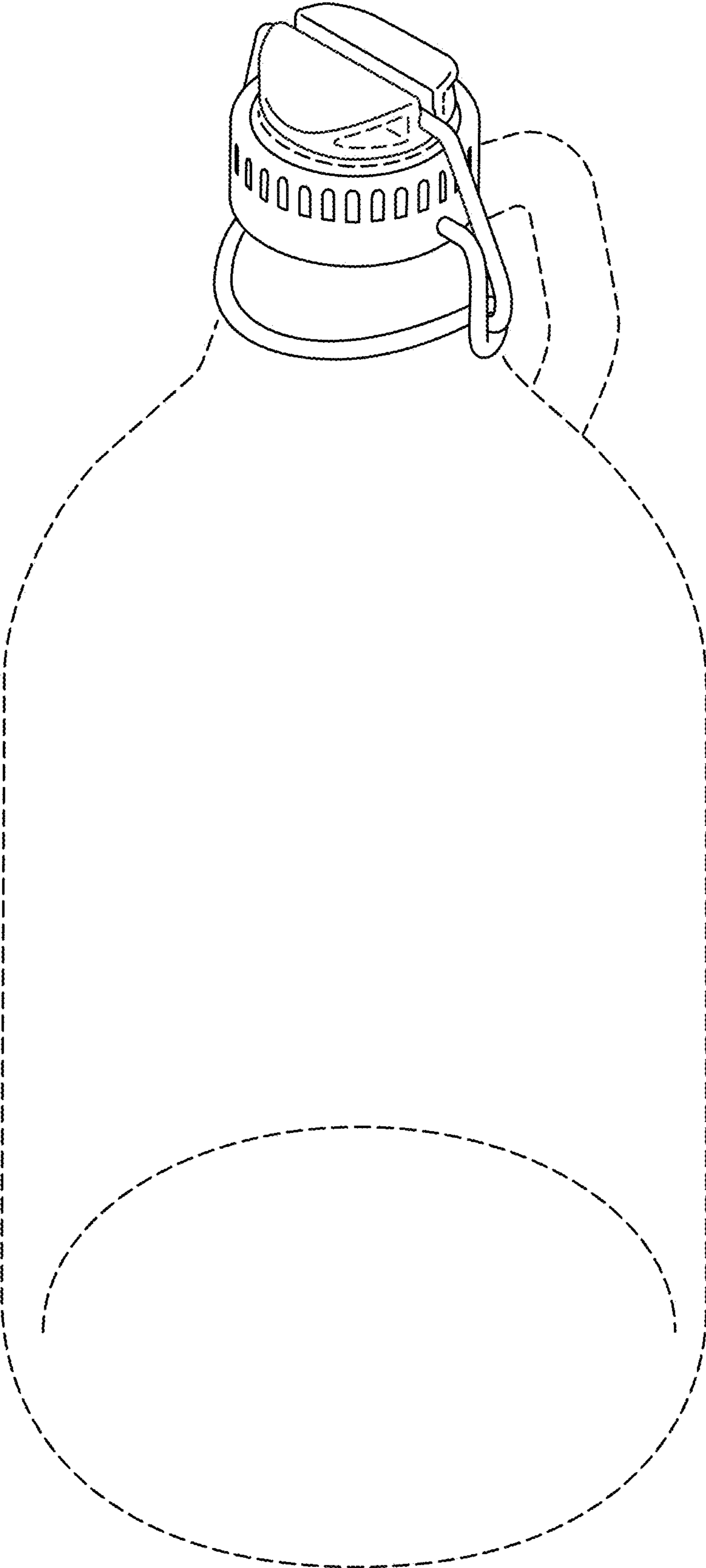


FIG. 8

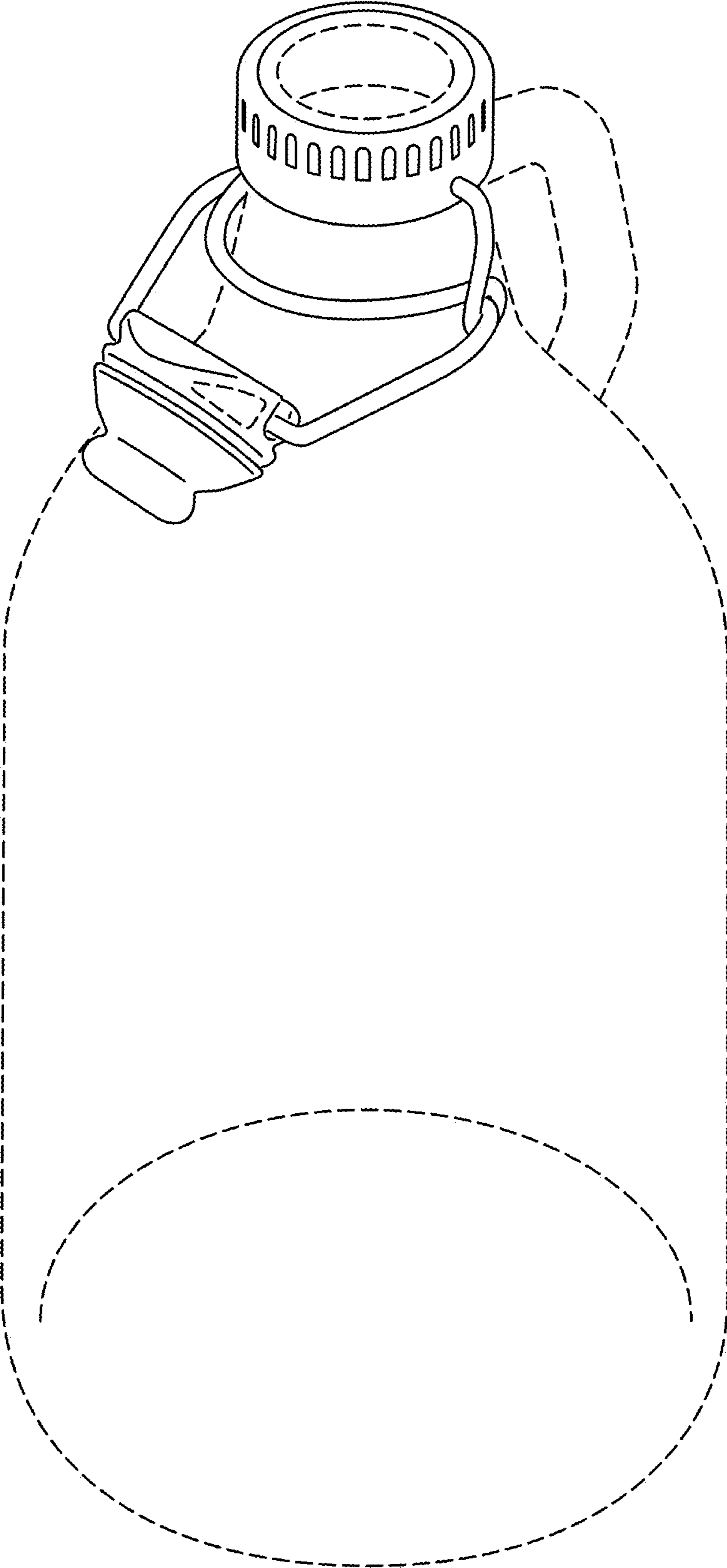


FIG. 9

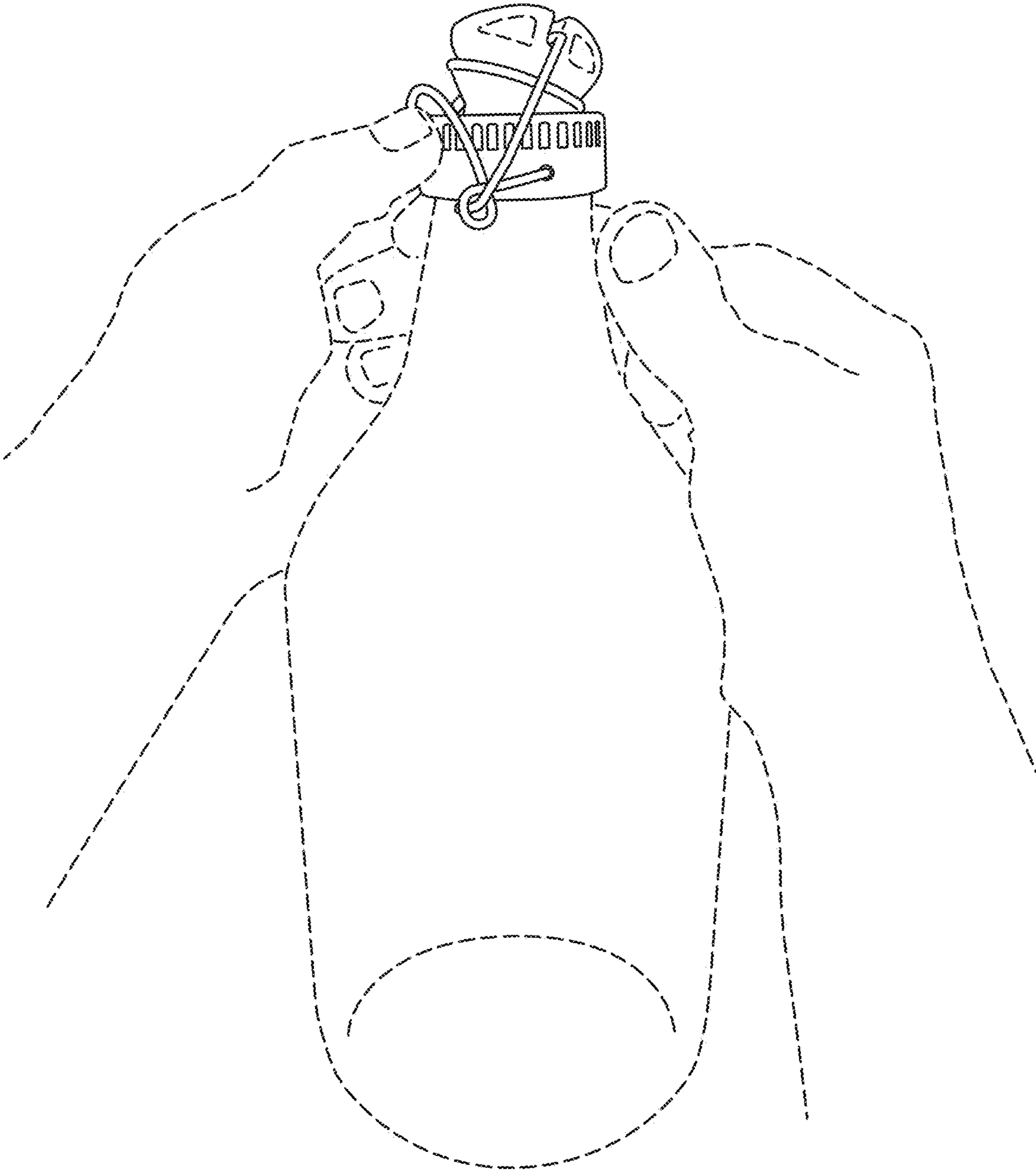


FIG. 10

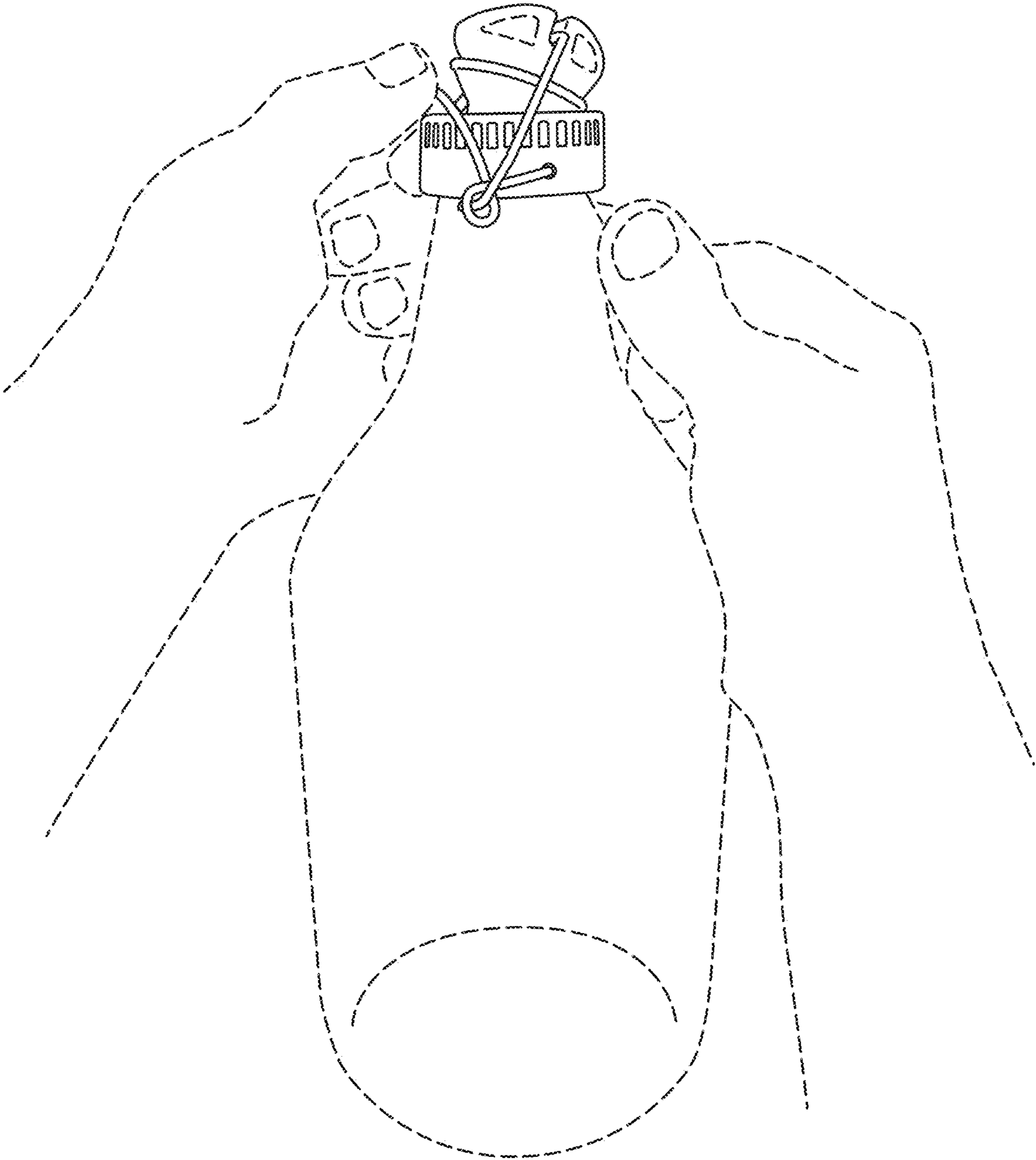


FIG. 11