



US00D931096S

(12) **United States Design Patent**
Thompson

(10) **Patent No.:** **US D931,096 S**

(45) **Date of Patent:** **** Sep. 21, 2021**

- (54) **DOOR JAM**
- (71) Applicant: **Joseph Warren Thompson**, Madison, WI (US)
- (72) Inventor: **Joseph Warren Thompson**, Madison, WI (US)
- (**) Term: **15 Years**
- (21) Appl. No.: **29/728,187**
- (22) Filed: **Mar. 17, 2020**
- (51) **LOC (13) Cl.** **08-09**
- (52) **U.S. Cl.**
USPC **D8/402**
- (58) **Field of Classification Search**
USPC D8/389, 354-355, 373, 380, 382-383, D8/394, 396, 402, 336, 367
CPC E05C 17/443
See application file for complete search history.

- 6,099,203 A * 8/2000 Landes E01F 9/629
116/63 R
- D436,159 S * 1/2001 Gutmann D23/364
- 6,727,805 B2 * 4/2004 Hollister E05C 17/54
292/342
- D603,241 S * 11/2009 Pearce D8/107
- D783,394 S * 4/2017 Peterson D8/402
- D805,901 S * 12/2017 Fuchs D9/499
- D821,687 S * 7/2018 Stevens D1/122
- D867,152 S * 11/2019 Bouheraoua, Jr. D9/561
- D884,137 S * 5/2020 Mushtaq D23/366
- D884,308 S * 5/2020 Brown D1/122
- D903,228 S * 12/2020 Monaghan D1/122
- D903,229 S * 12/2020 Stevens D1/122
- 2004/0154525 A1 * 8/2004 Wirth B64F 1/20
116/1

* cited by examiner

Primary Examiner — Keli L Hill

Assistant Examiner — Harold E Blackwell, II

(74) *Attorney, Agent, or Firm* — Joseph T. Leone, Esq.; DeWitt LLP

(56) **References Cited**

U.S. PATENT DOCUMENTS

- 57,890 A * 9/1866 Gilson C10L 5/36
44/530
- 1,419,257 A * 6/1922 Harrigan B43K 23/004
24/11 CT
- 2,625,762 A * 1/1953 McColl G09F 7/18
40/607.03
- 4,890,092 A * 12/1989 Grimm E05C 17/54
340/546
- 5,008,648 A * 4/1991 Conemac G08B 13/08
200/61.62
- D333,900 S * 3/1993 Kinnamon D12/168
- 5,552,768 A * 9/1996 Mikiel E05C 17/54
200/61.93
- D376,734 S * 12/1996 Petrie D7/629
- 5,711,560 A * 1/1998 Gilbertson E05C 17/54
292/343

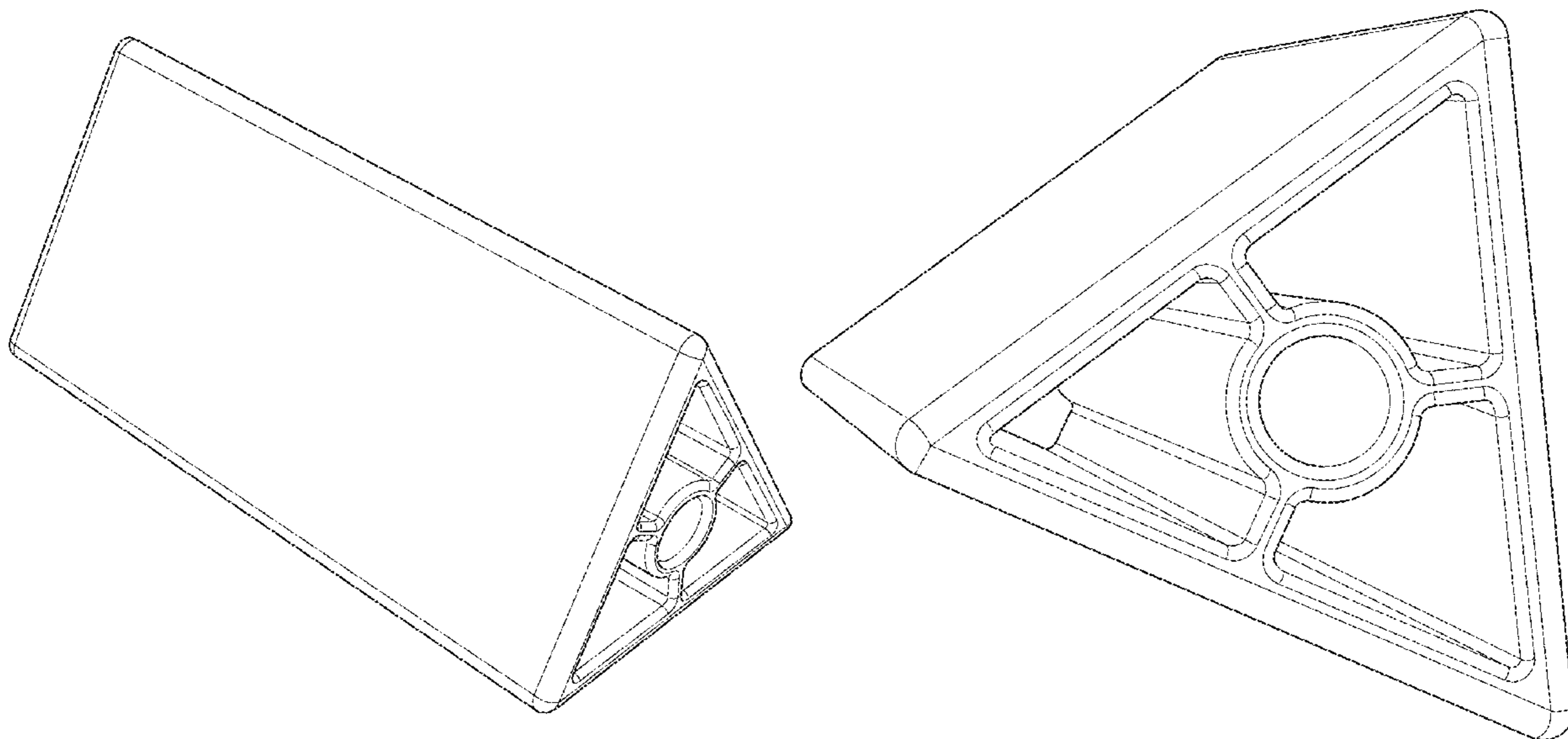
(57) **CLAIM**

The ornamental design for a door jam, as shown and described.

DESCRIPTION

FIG. 1 is a top-right perspective view of a door jam showing my new design;
 FIG. 2 is a right side perspective view thereof;
 FIG. 3 is a right side elevational view thereof; the left-side elevational view is a mirror image thereof;
 FIG. 4 is a top plan view thereof; and,
 FIG. 5 is a front elevational view thereof; the bottom plan view and the rear elevational view thereof being identical thereto.

1 Claim, 5 Drawing Sheets



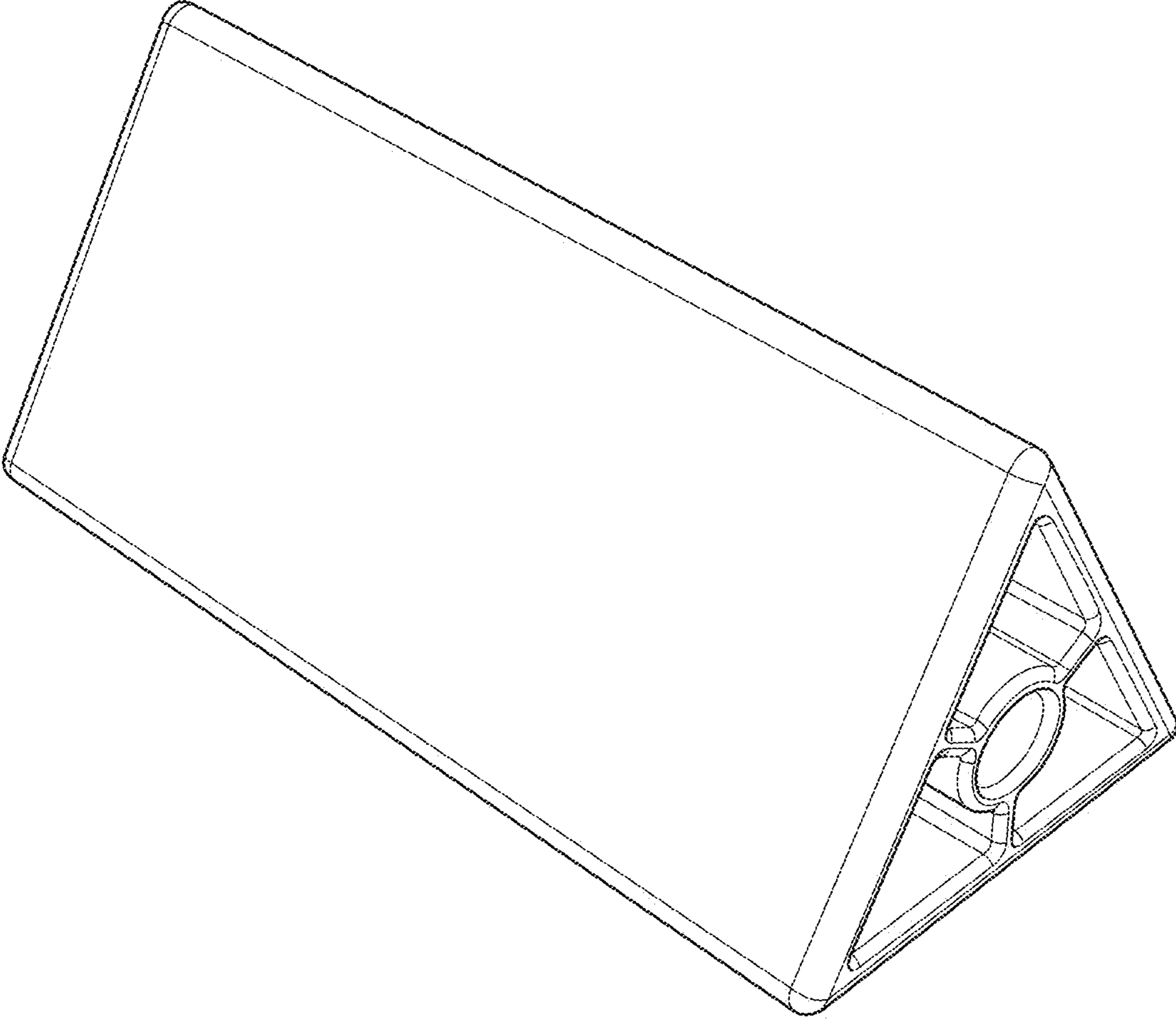


FIG. 1

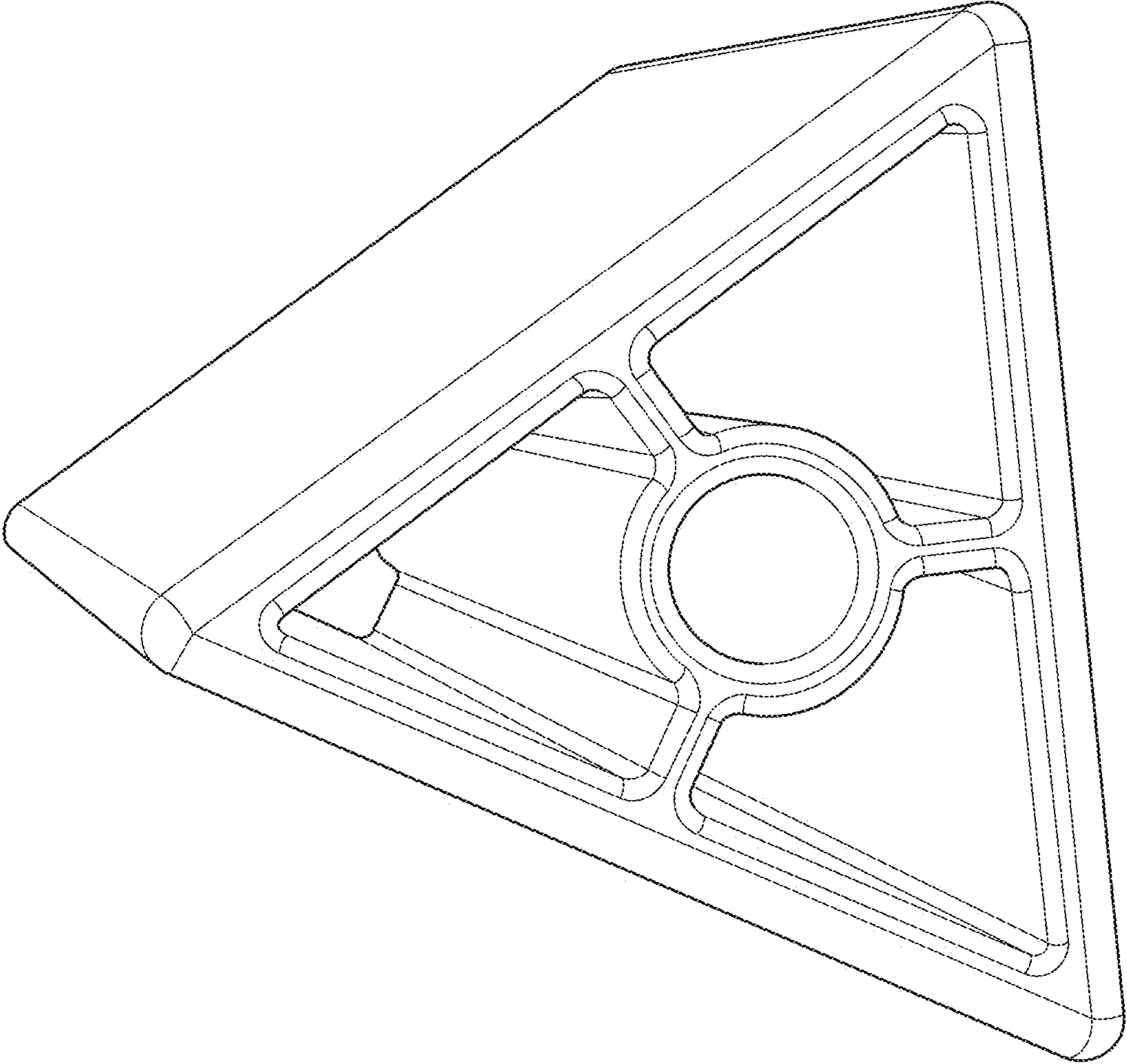


FIG. 2

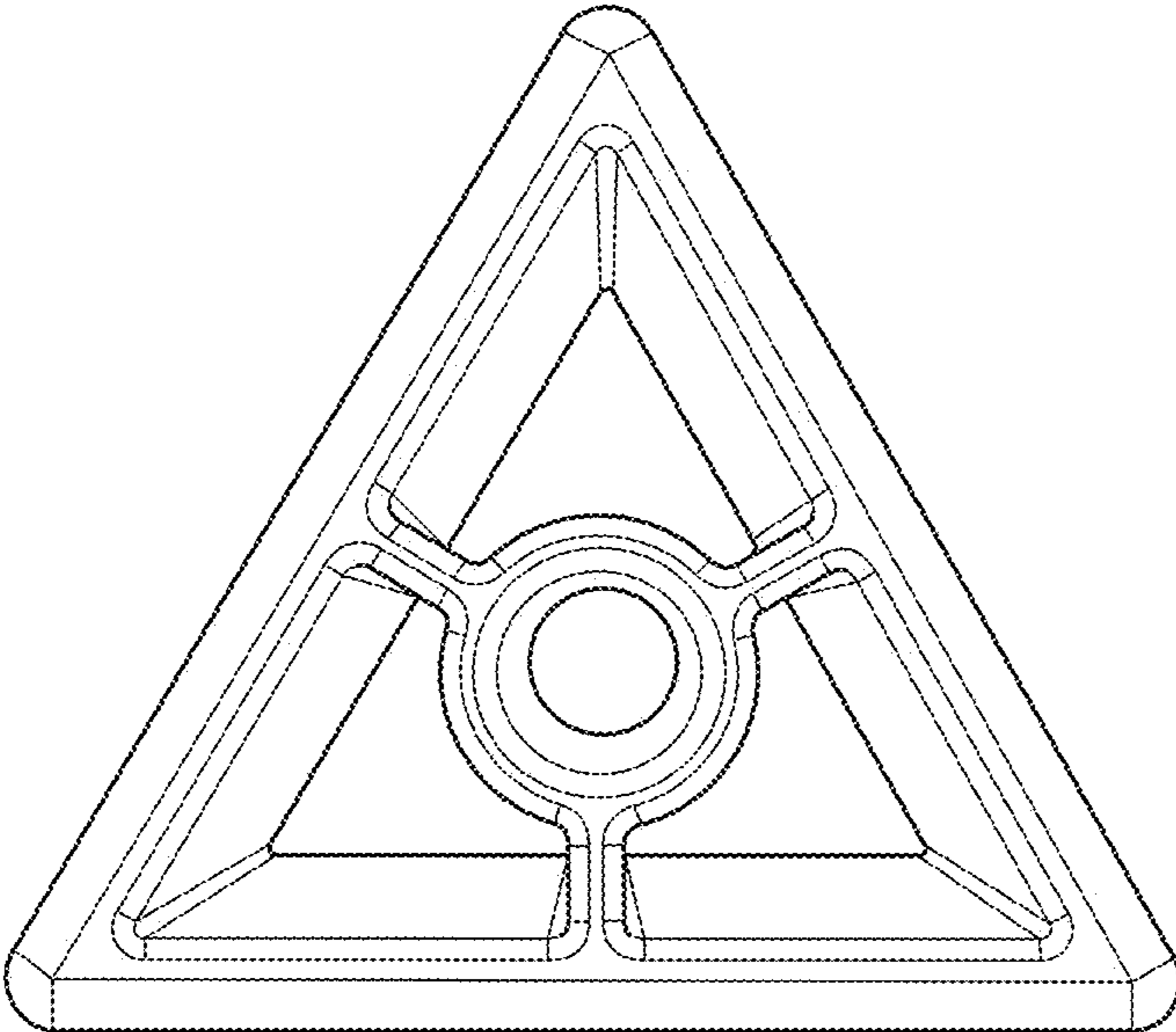


FIG. 3

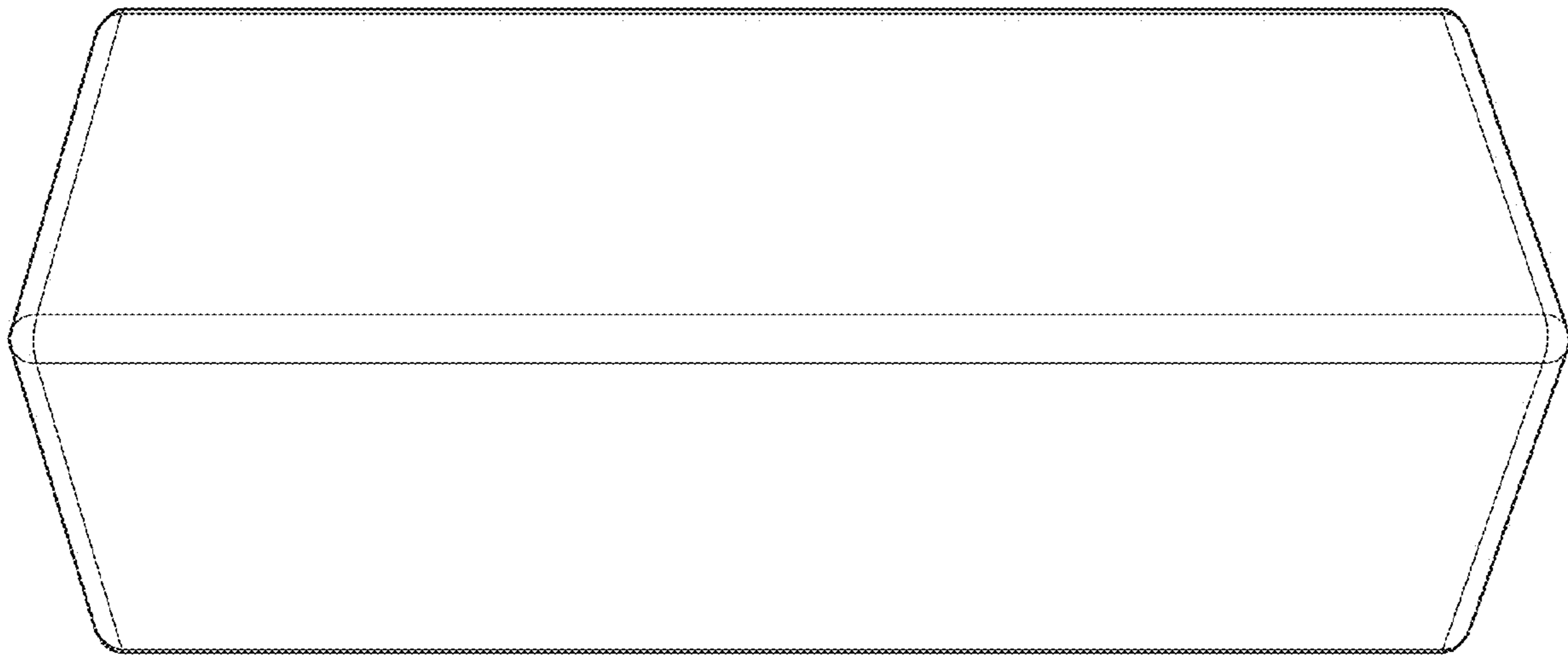


FIG. 4

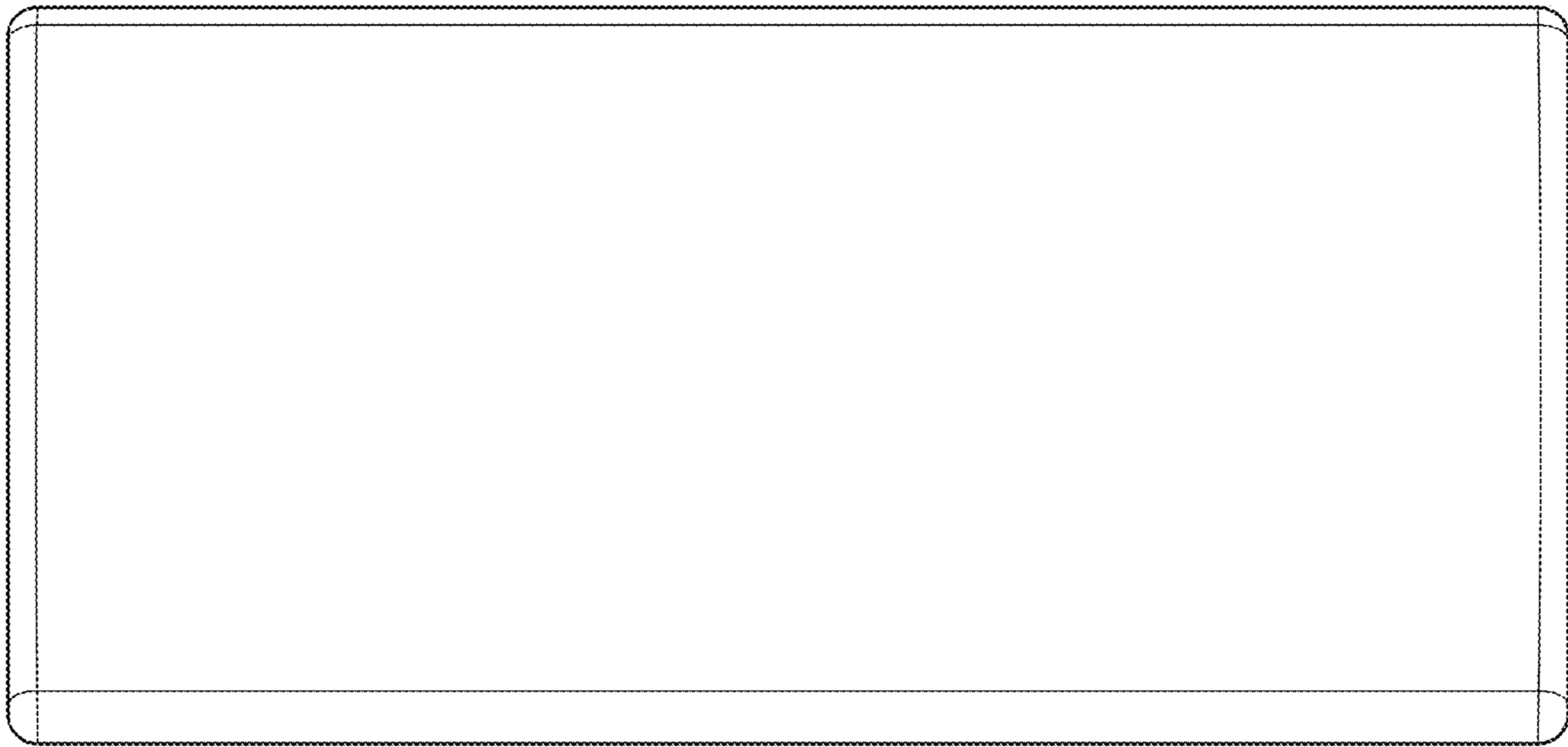


FIG. 5