



US00D931095S

(12) **United States Design Patent**  
**Kovacs**

(10) **Patent No.:** **US D931,095 S**

(45) **Date of Patent:** **\*\* \*Sep. 21, 2021**

(54) **SLOT NUT**

(71) Applicant: **PMC INDUSTRIES, INC.**, Plainville, CT (US)

(72) Inventor: **Tamas Kovacs**, Burlington, CT (US)

(73) Assignee: **PMC Industries, Inc.**, Plainville, CT (US)

(\*) Notice: This patent is subject to a terminal disclaimer.

(\*\*) Term: **15 Years**

(21) Appl. No.: **29/714,534**

(22) Filed: **Nov. 24, 2019**

(51) **LOC (13) Cl.** ..... **08-08**

(52) **U.S. Cl.**  
USPC ..... **D8/397**; D8/382

(58) **Field of Classification Search**

USPC ..... D13/102, 118, 133, 154, 155; D8/349, D8/354, 382, 394, 397, 399

CPC ..... F16B 37/00; F16B 37/042; F16B 37/045; F16B 37/047; F16B 41/002; F16B 37/04;

F16B 37/08; F16B 2037/007; F16B 37/0807; F16C 2314/72; F16C 29/0623;

F16C 29/06; F16C 29/0609; F16C 29/005; F16C 29/008; F16C 29/04; F16C

29/0657; F16C 29/004; F16C 29/12; F24S 2025/018; F24S 25/30; F24S 25/40;

F24S 2025/6002; F24S 2025/6003; F24S 2025/6004; F24S 2025/6007; A47B 1/10;

A47B 88/493; A47B 88/423

See application file for complete search history.

(56) **References Cited**

**U.S. PATENT DOCUMENTS**

D33,198 S \* 9/1900 Hart ..... D8/397  
3,187,796 A \* 6/1965 Double ..... F16B 37/068  
411/179

D223,532 S \* 5/1972 Shimjo ..... D8/397

D229,610 S \* 12/1973 Shimjo ..... D8/397

4,124,050 A \* 11/1978 Ackerman ..... F16B 37/068  
206/338

D280,974 S \* 10/1985 Ruetsch ..... D8/382

4,957,402 A \* 9/1990 Klein ..... F16B 37/045  
411/166

4,971,499 A \* 11/1990 Ladouceur ..... F16B 27/00

D361,709 S \* 8/1995 Fortenbery ..... D8/349

5,779,412 A \* 7/1998 Nagai ..... E04B 2/766  
411/85

D450,572 S \* 11/2001 Nimmo ..... D8/397

6,997,659 B2 \* 2/2006 Vrana ..... F16B 37/068  
411/179

7,013,550 B2 \* 3/2006 Shinjo ..... B21K 1/702  
29/432.2

7,338,245 B2 \* 3/2008 Ladouceur ..... F16B 27/00  
29/432.1

7,386,922 B1 \* 6/2008 Taylor ..... E04D 13/10  
24/525

(Continued)

*Primary Examiner* — Holly E Thurman

*Assistant Examiner* — Ieisha N Price

(74) *Attorney, Agent, or Firm* — Damian Wasserbauer, Esq.; Wasserbauer Law LLC

(57) **CLAIM**

The ornamental design for a slot nut, as shown and described.

**DESCRIPTION**

FIG. 1 is a perspective of the slot nut in accordance with an embodiment of the present invention;

FIG. 2 is a front view of the slot nut thereof;

FIG. 3 is a back view of the slot nut thereof;

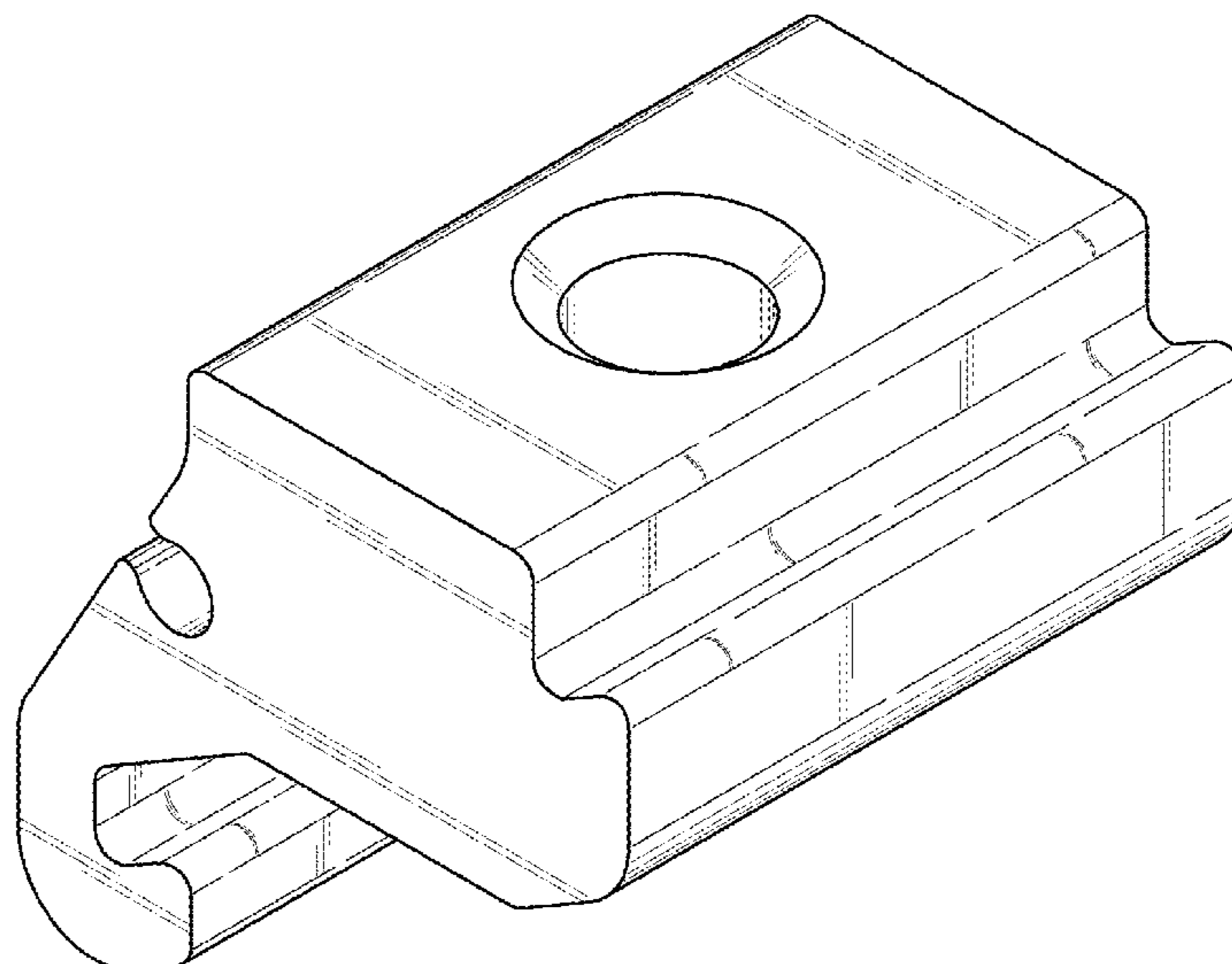
FIG. 4 is a left side view of the slot nut thereof;

FIG. 5 is a right side view of the slot nut thereof;

FIG. 6 is a top view of the slot nut thereof; and,

FIG. 7 is a bottom view of the slot nut thereof.

**1 Claim, 7 Drawing Sheets**





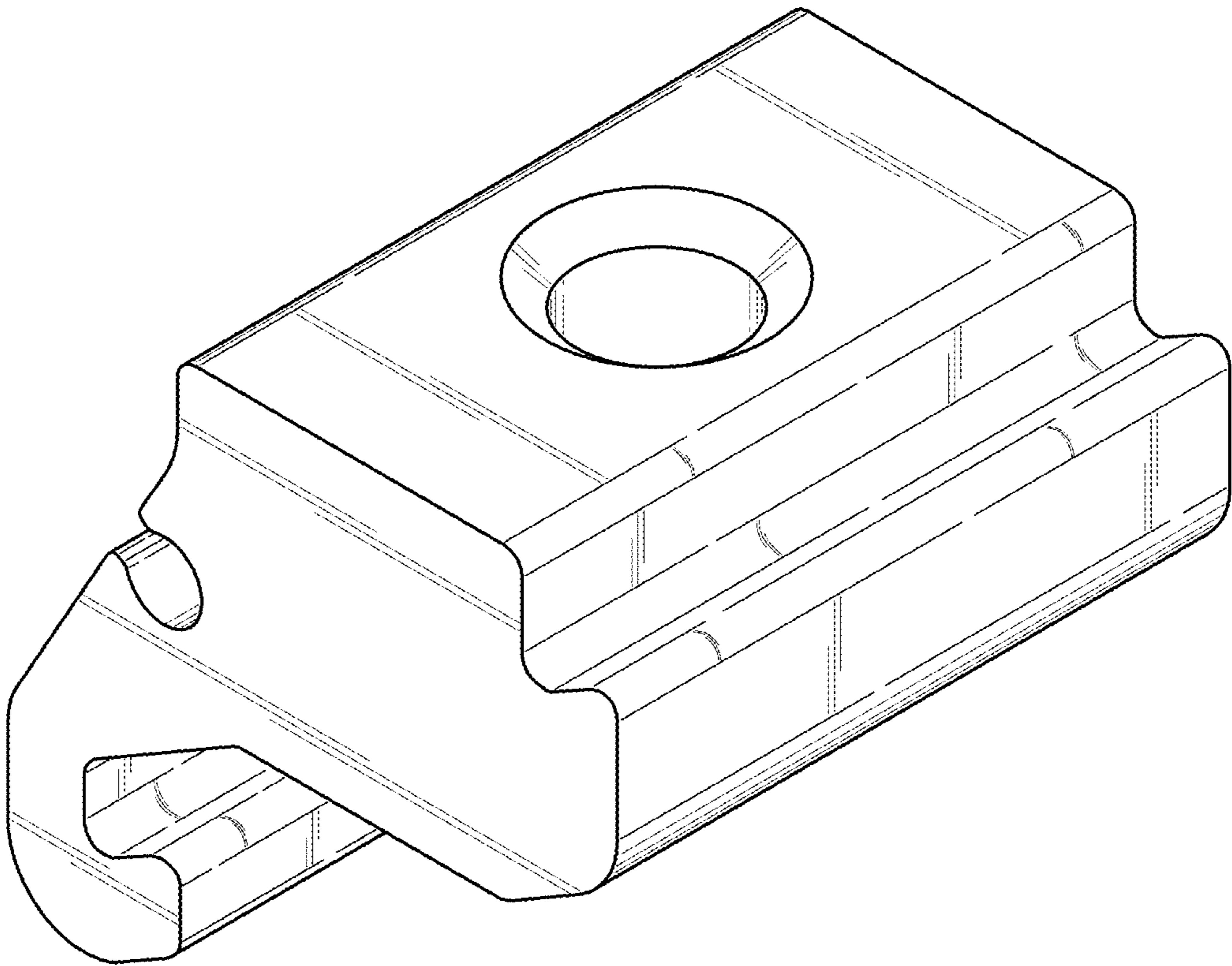


FIG. 1

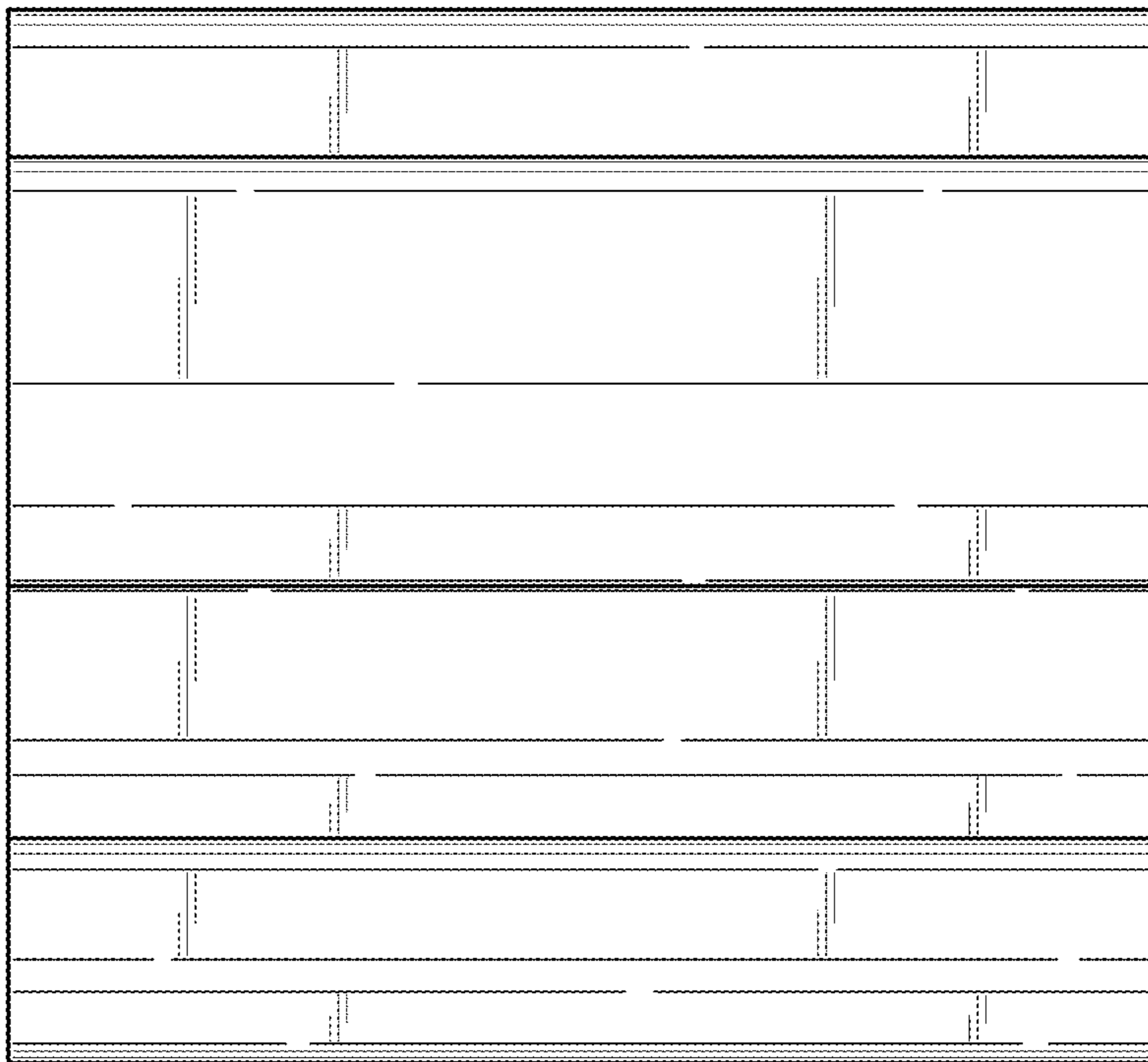


FIG. 2



FIG. 3

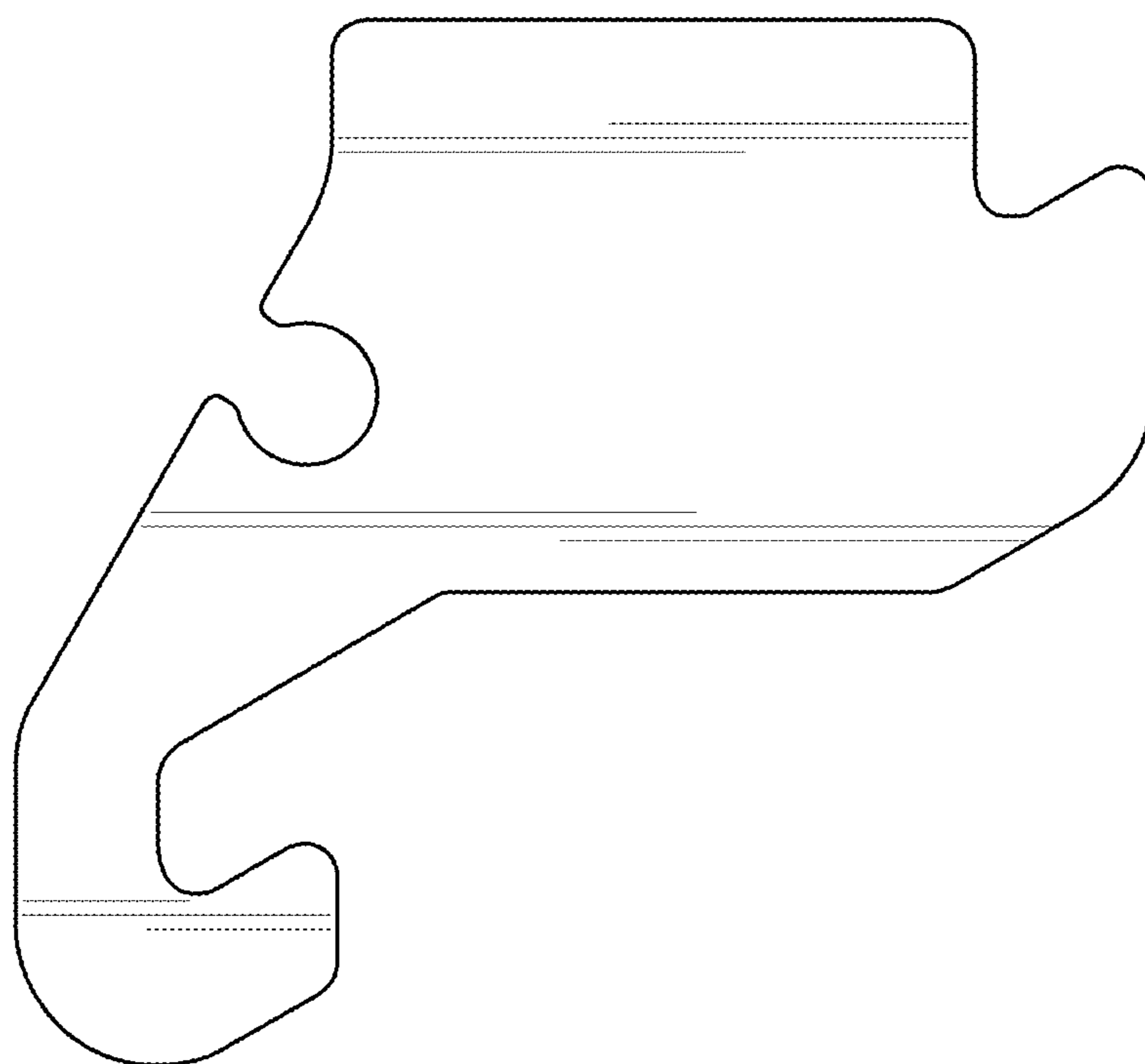


FIG. 4

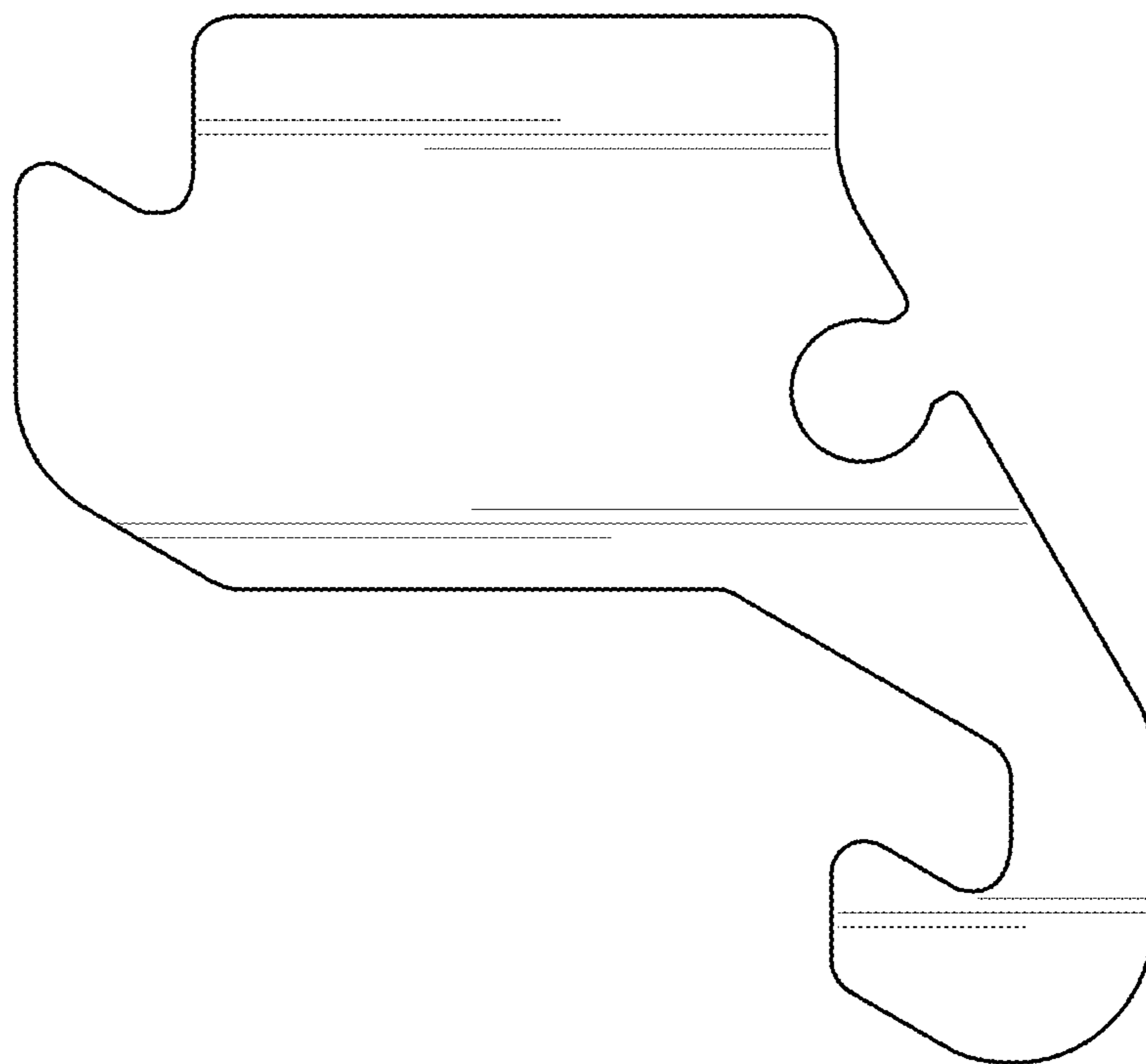


FIG. 5

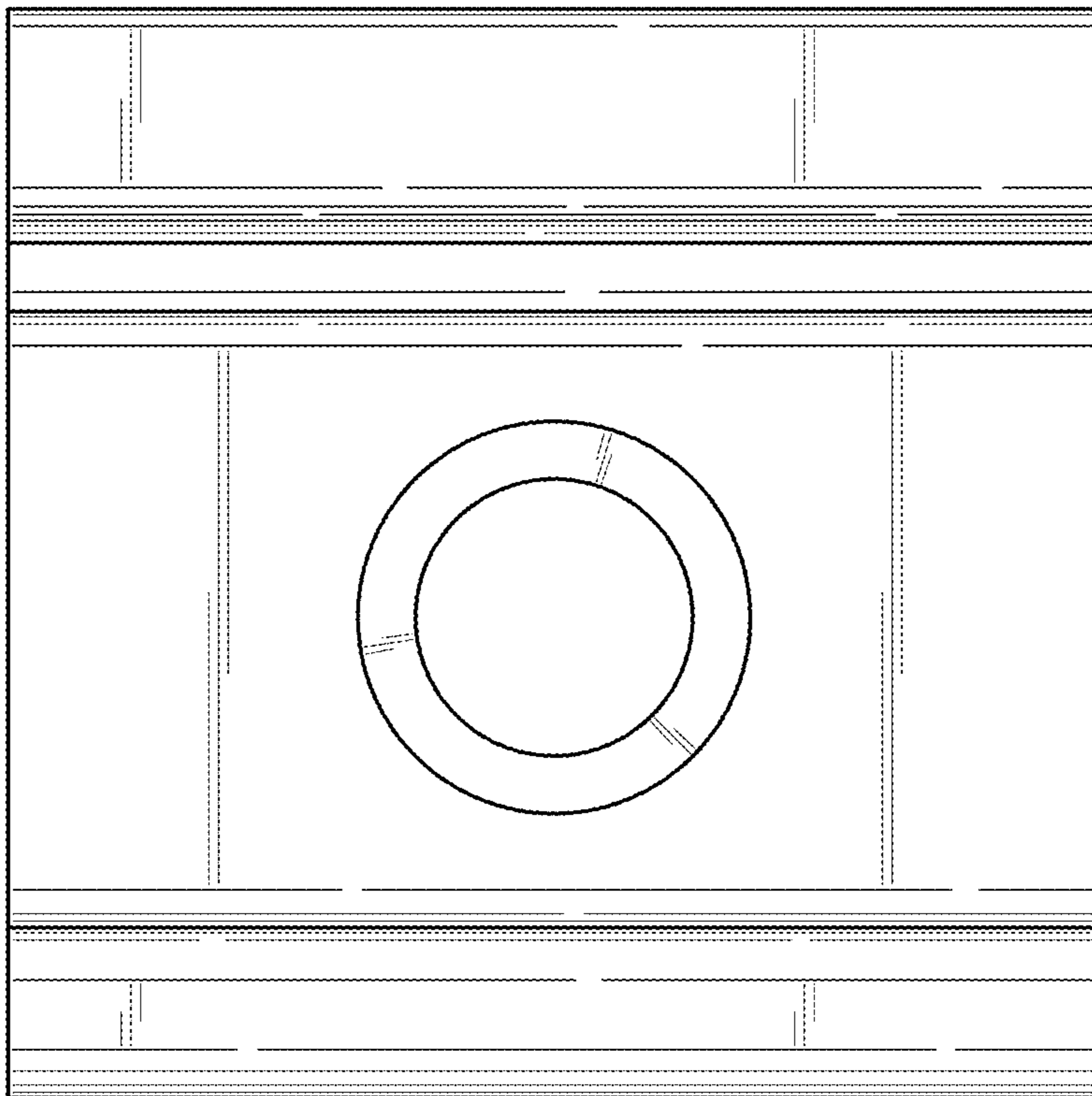


FIG. 6



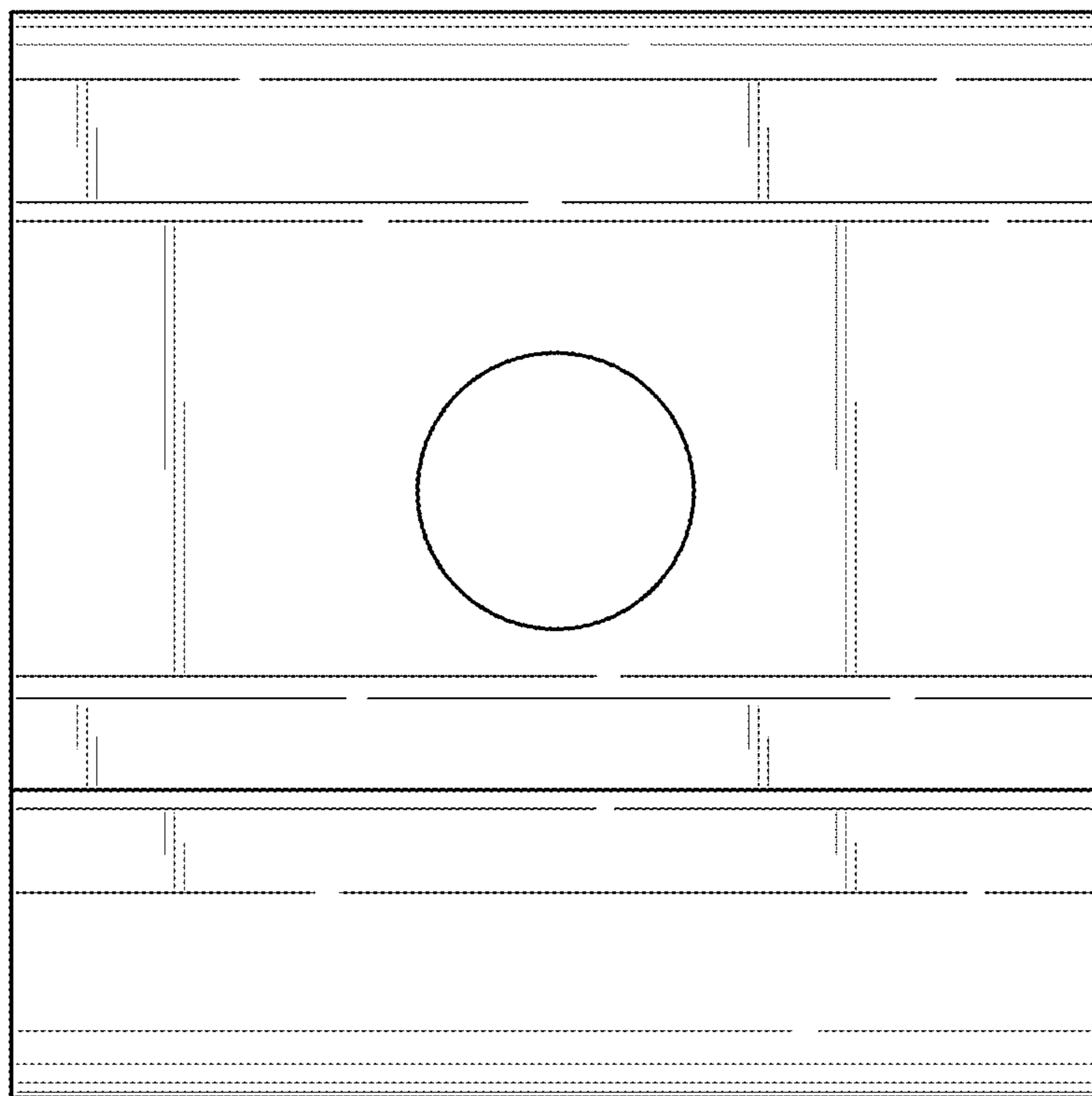


FIG. 7