



US00D931093S

(12) **United States Design Patent**
Wang

(10) **Patent No.:** **US D931,093 S**

(45) **Date of Patent:** **** Sep. 21, 2021**

(54) **DOVETAIL ANCHOR ASSEMBLY**
(71) Applicant: **Henry Wang**, Winter Springs, FL (US)
(72) Inventor: **Henry Wang**, Winter Springs, FL (US)
(**) Term: **15 Years**

(21) Appl. No.: **29/703,896**
(22) Filed: **Aug. 30, 2019**
(51) **LOC (13) Cl.** **08-08**
(52) **U.S. Cl.**
USPC **D8/387**
(58) **Field of Classification Search**
USPC D08/387, 382, 885, 388, 391, 397, 51,
D08/307, 315, 316, 317, 356, 378;
D11/222, 226; D17/20
CPC F16B 12/22; F16B 12/24; F16B 12/125;
F16B 12/20; F16B 12/26; F16B 19/00;
F16B 19/008; F16B 2005/0678; F16B
21/086; F16B 5/0084; F16B 5/0216;
F16B 5/0607; F16B 5/0657; F24S 25/16;
F24S 25/20; F24S 25/61; F24S 25/613;
F24S 25/67; F24S 25/70; F24S 2025/02;
A47F 5/10; A47B 47/025; A47B 47/04;
A47B 47/042; A47B 2230/0077; A47B
2230/0081

See application file for complete search history.

(56) **References Cited**

U.S. PATENT DOCUMENTS

2,175,632 A 10/1939 Maga
4,027,711 A 6/1977 Tummarello
4,818,163 A 4/1989 Bereiter et al.
D320,805 S * 10/1991 Sassmannshausen D17/22
5,797,164 A 8/1998 Donaghy
D435,890 S * 1/2001 Fleischmann D23/249
D464,118 S * 10/2002 Lord D23/249
D469,163 S * 1/2003 Fabian D23/249
D473,288 S * 4/2003 Lord D23/249
D523,929 S * 6/2006 Chung D23/241
D525,513 S * 7/2006 Anderson D8/307

D527,980 S * 9/2006 Sato D8/307
D542,622 S * 5/2007 Ricereto D8/307
7,241,094 B1 7/2007 Potts et al.
D572,998 S * 7/2008 Crain D8/305

(Continued)

FOREIGN PATENT DOCUMENTS

CN 201830531415.0 * 11/2019

OTHER PUBLICATIONS

Adm—V Series Universal Dovetail Bar Counterweight, first available [Oct. 21, 2020], <https://telescopes.net/>, [online], [site visited Oct. 21, 2020], Available from internet URL: <https://telescopes.net/store/adm-v-series-universal-dovetail-bar-counterweight.html> (Year: 2020).*

(Continued)

Primary Examiner — Janice Hallmark
Assistant Examiner — Elizabeth S Ko
(74) *Attorney, Agent, or Firm* — Wolter Van Dyke Davis, PLLC; Robert L. Wolter

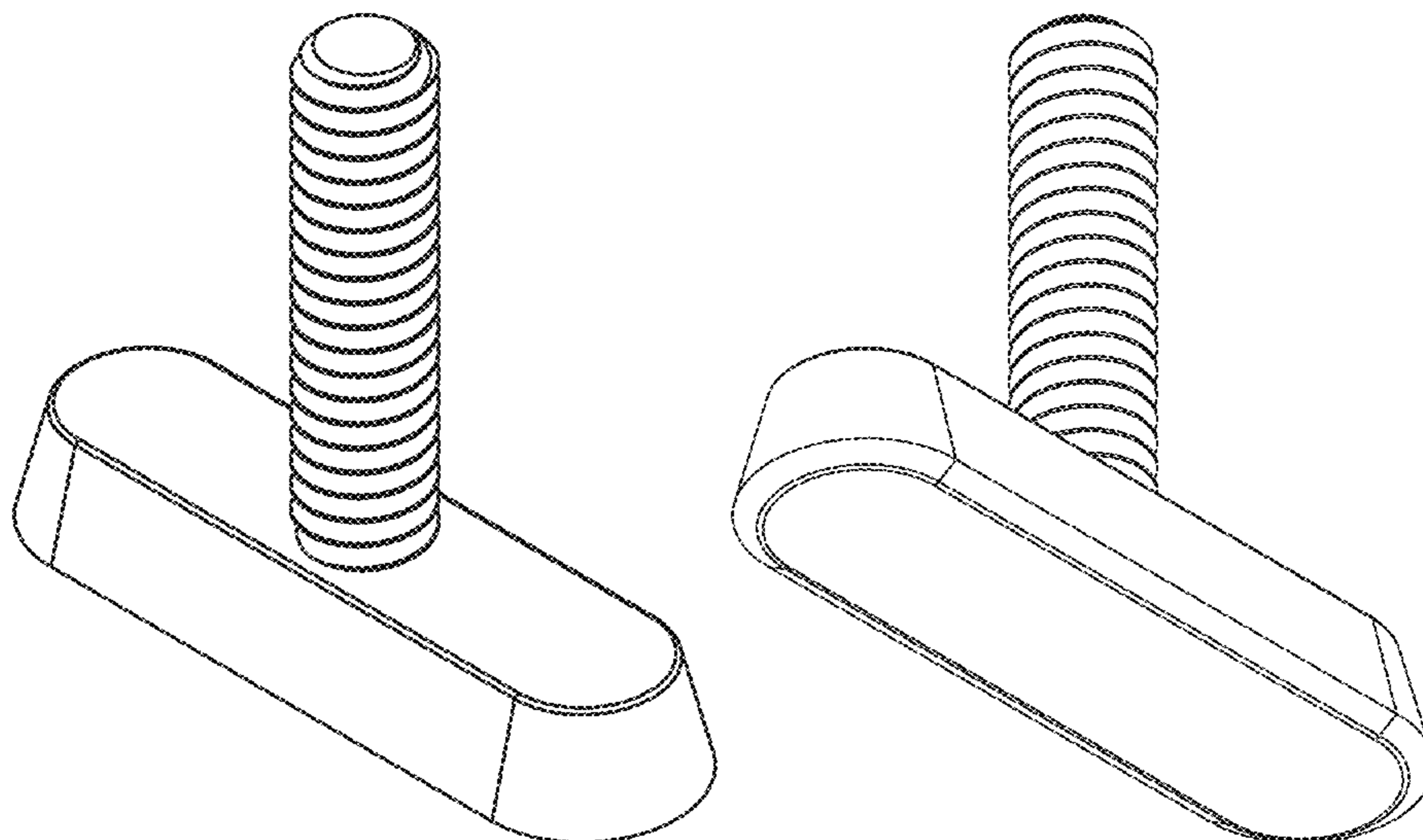
(57) **CLAIM**

The ornamental design for a dovetail anchor assembly, as shown and described.

DESCRIPTION

FIG. 1 is a top left perspective view of a dovetail anchor assembly in accordance with the present invention; FIG. 2 is a top right perspective view thereof; FIG. 3 is a bottom left perspective view thereof; FIG. 4 is a bottom right perspective view thereof; FIG. 5 is a front view thereof; FIG. 6 is a back view thereof; FIG. 7 is a right side view thereof; FIG. 8 is a left side view thereof; FIG. 9 is a top side view thereof; and, FIG. 10 is a bottom side view thereof.

1 Claim, 5 Drawing Sheets



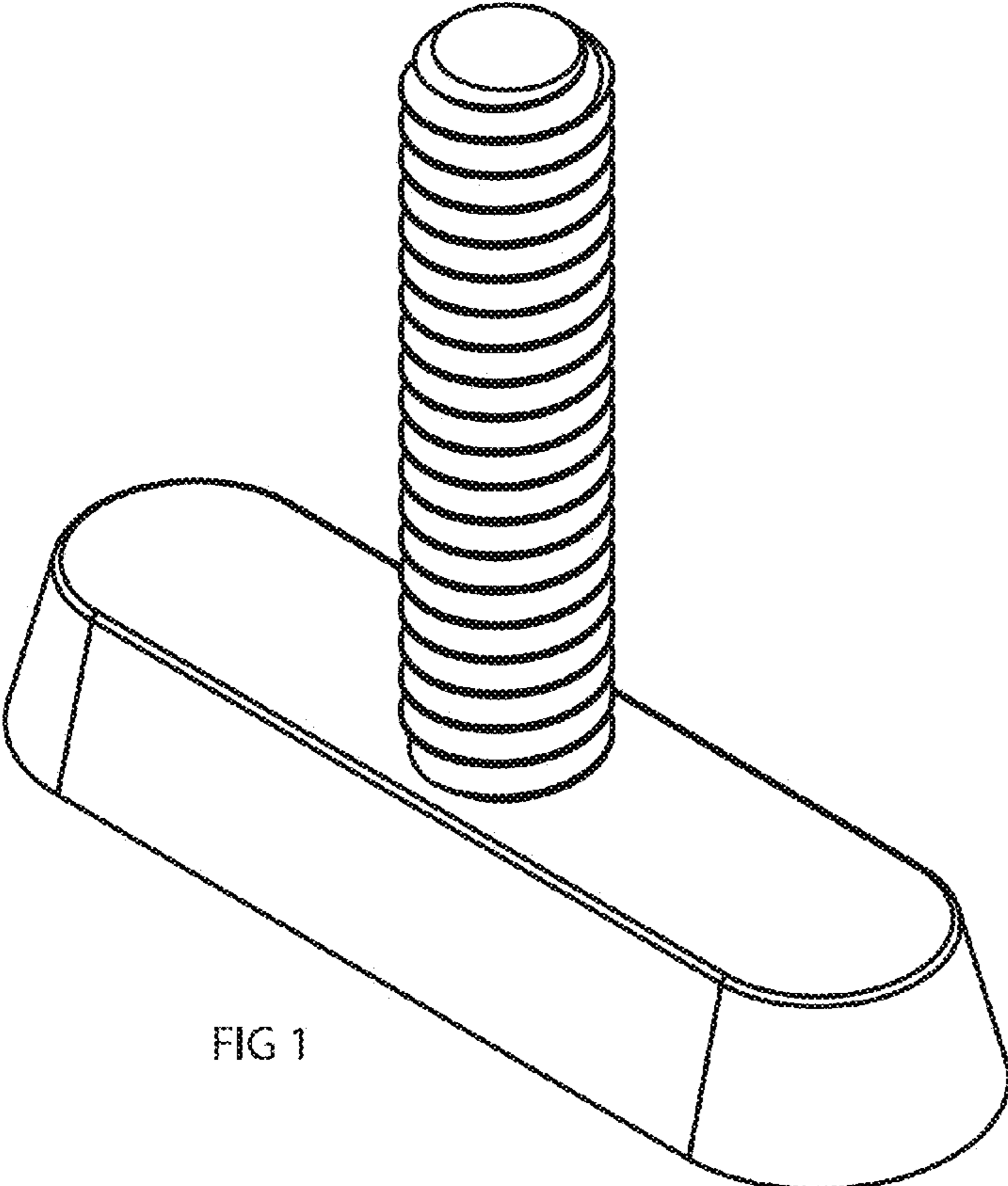


FIG 1

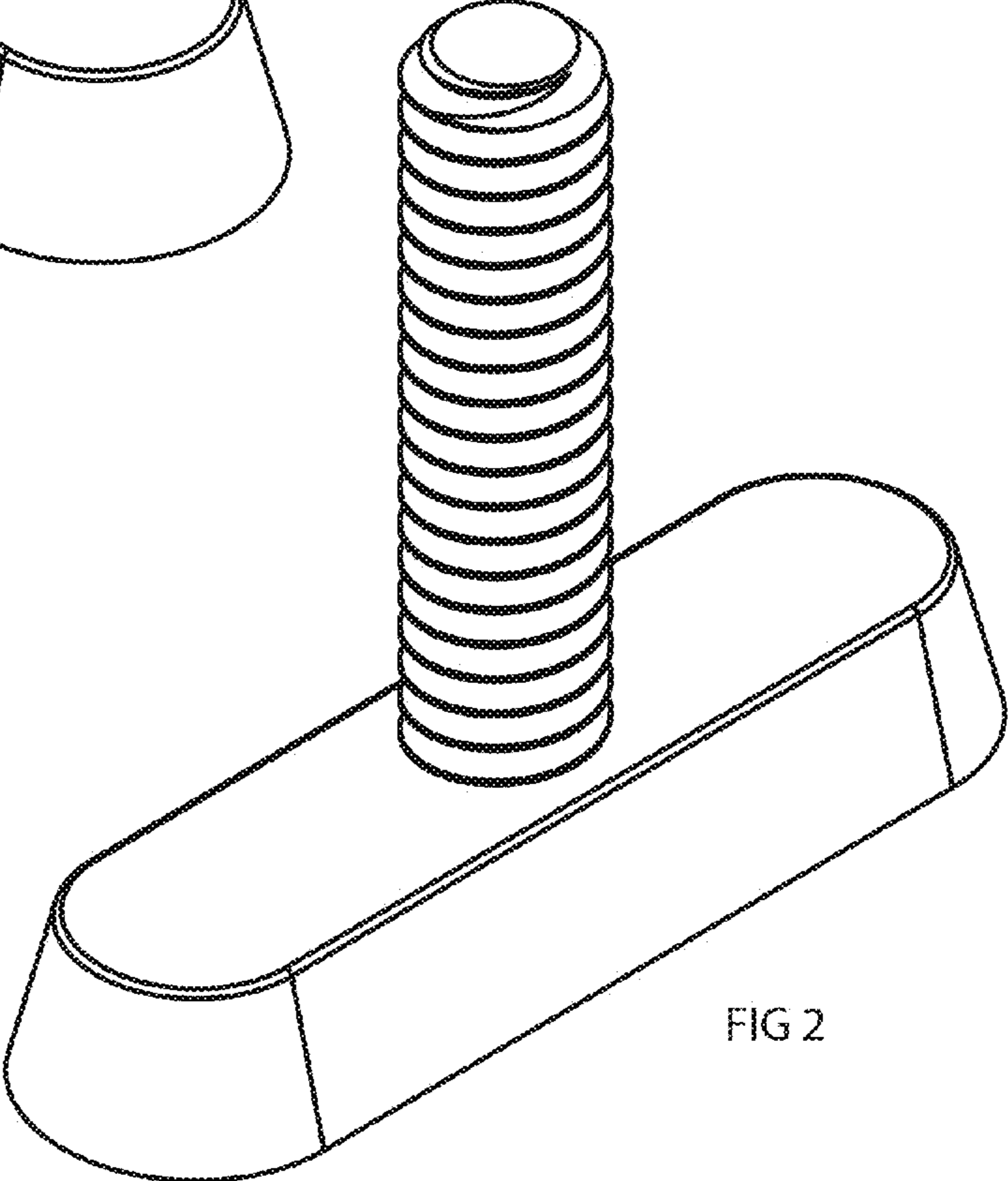


FIG 2

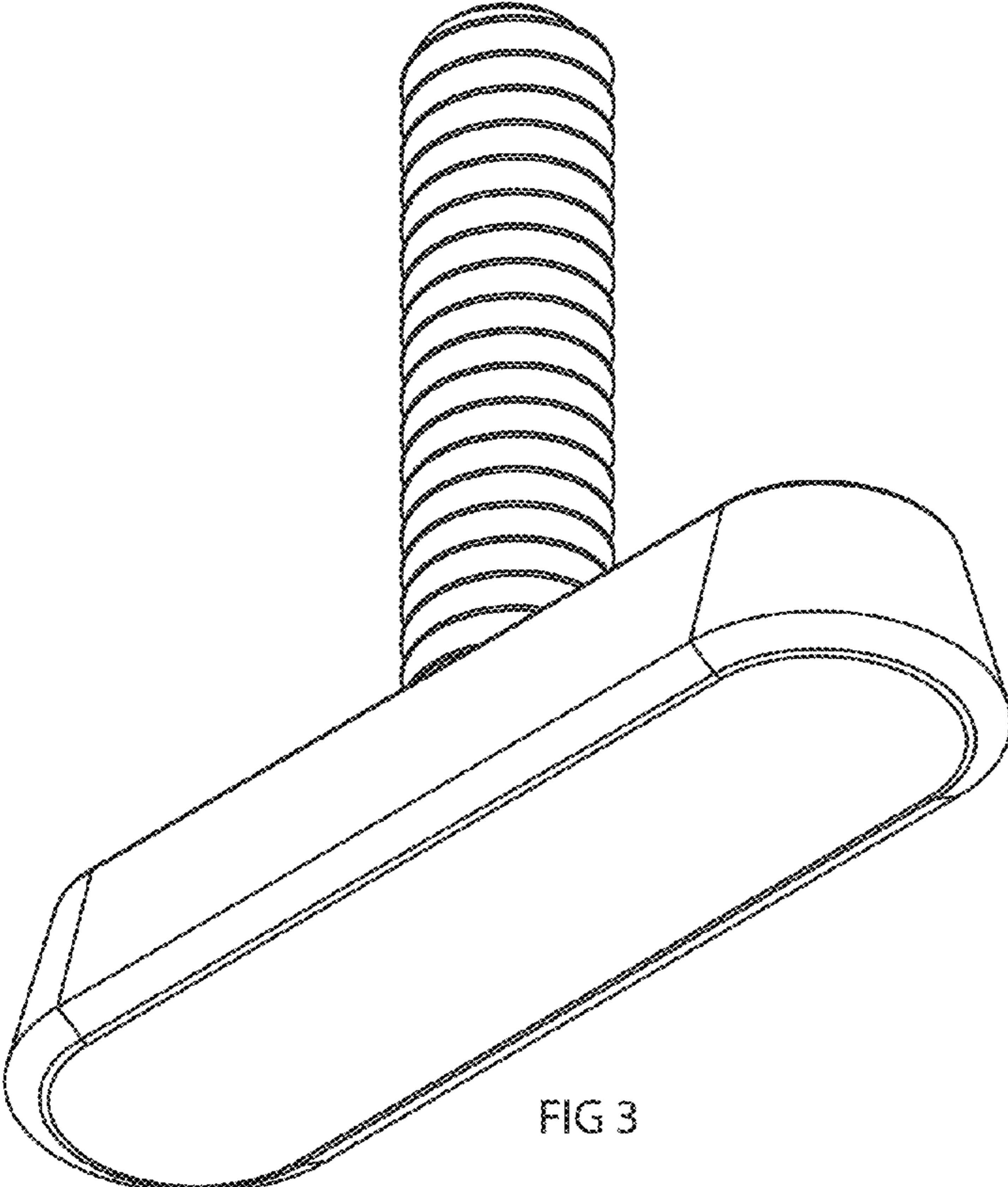


FIG 3

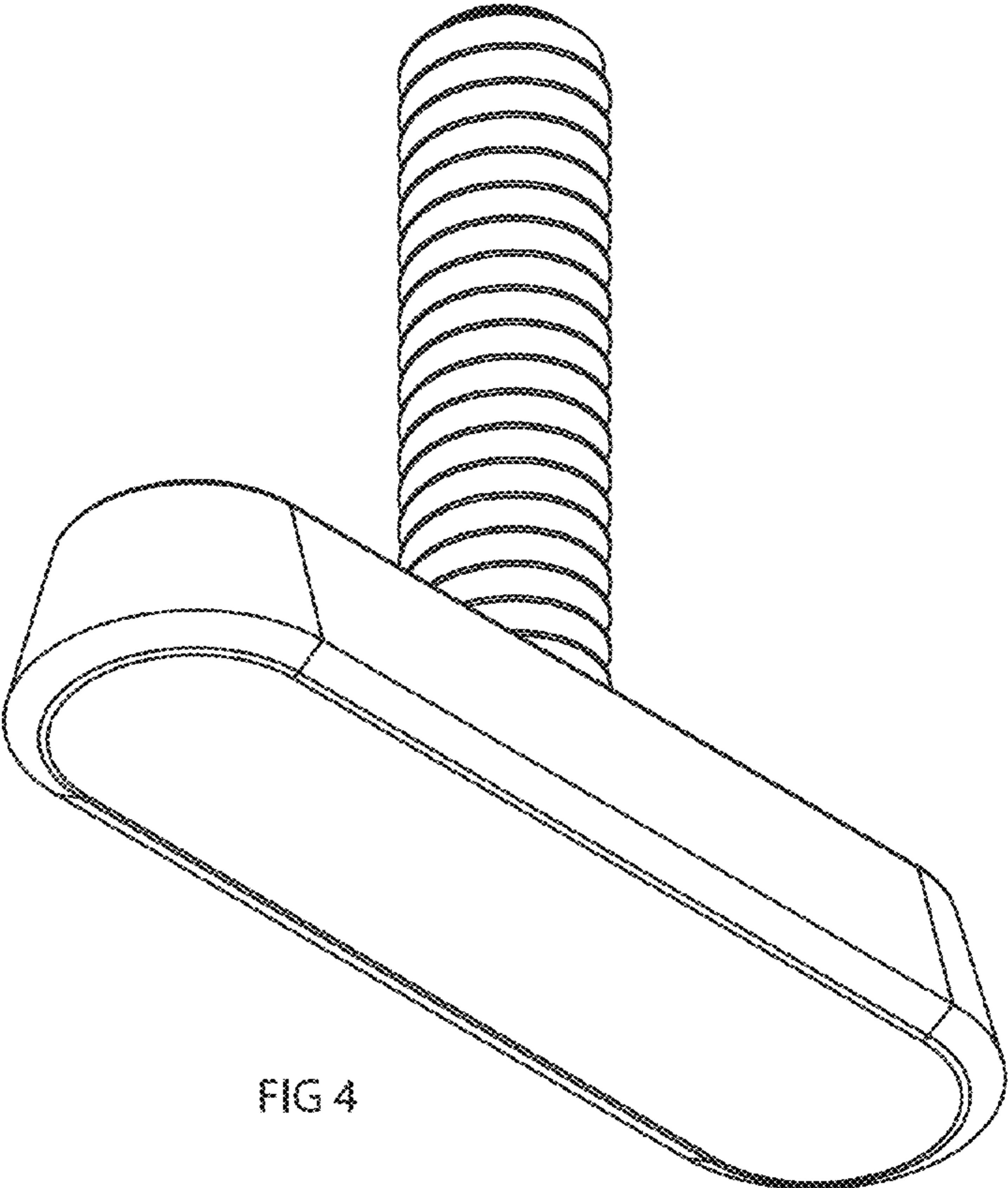


FIG 4

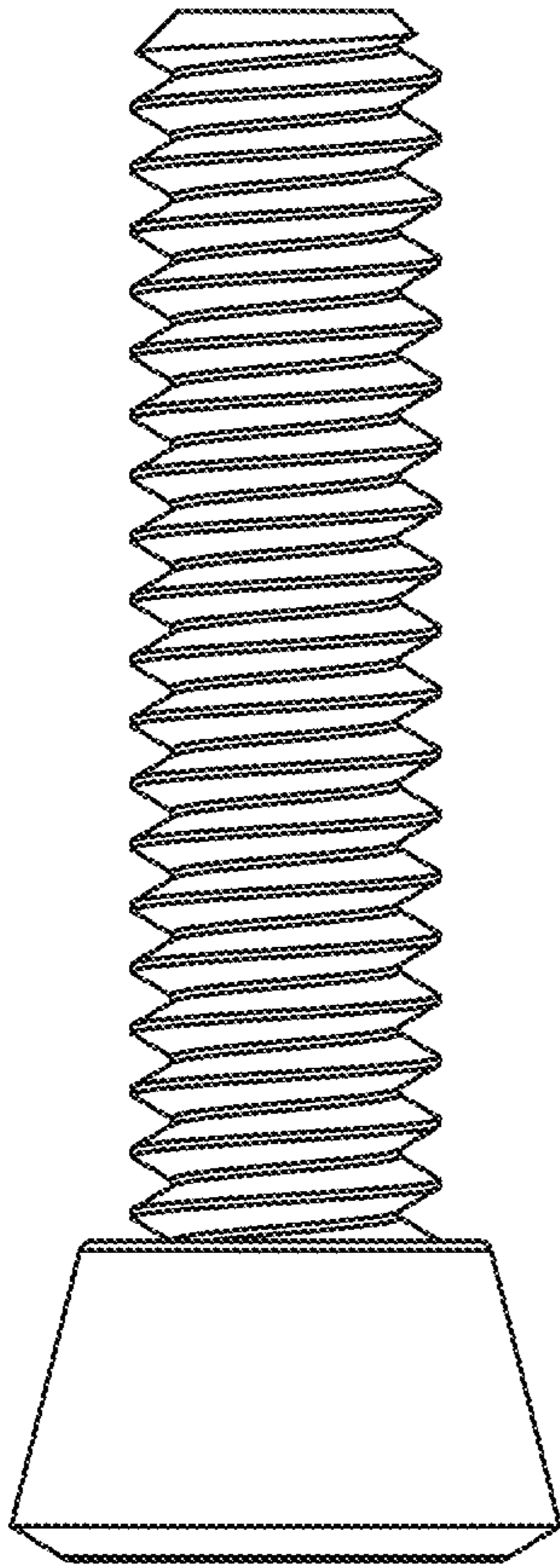


FIG 5

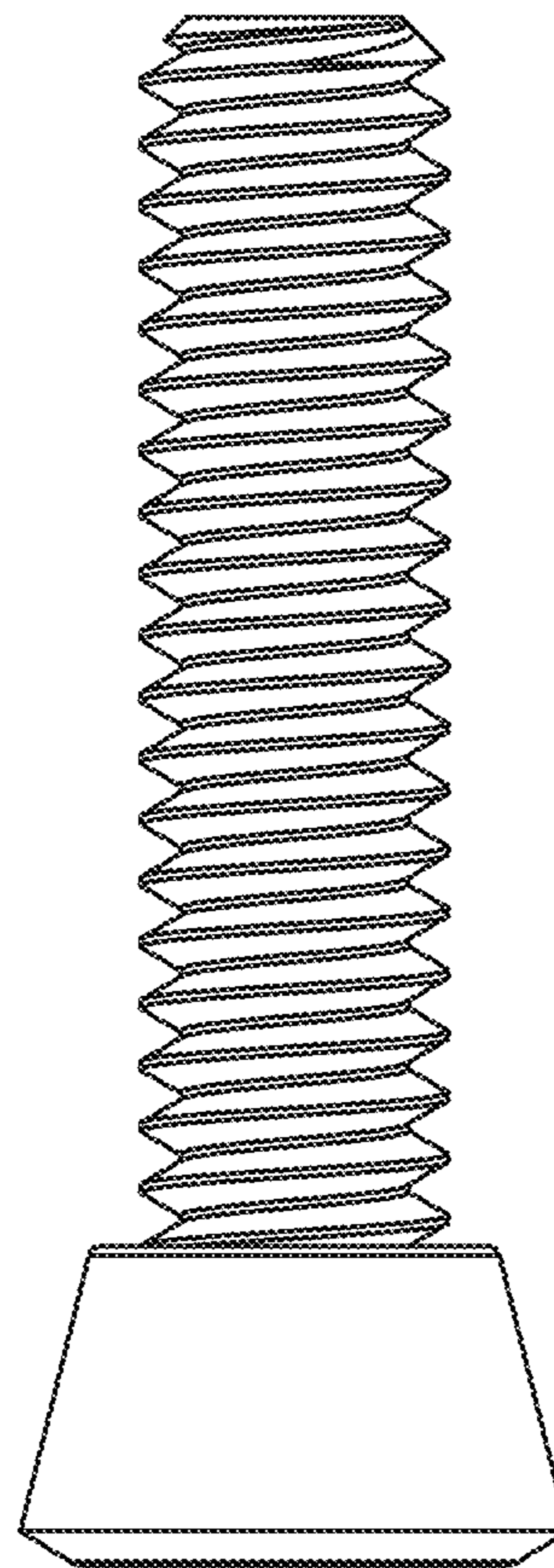


FIG 6

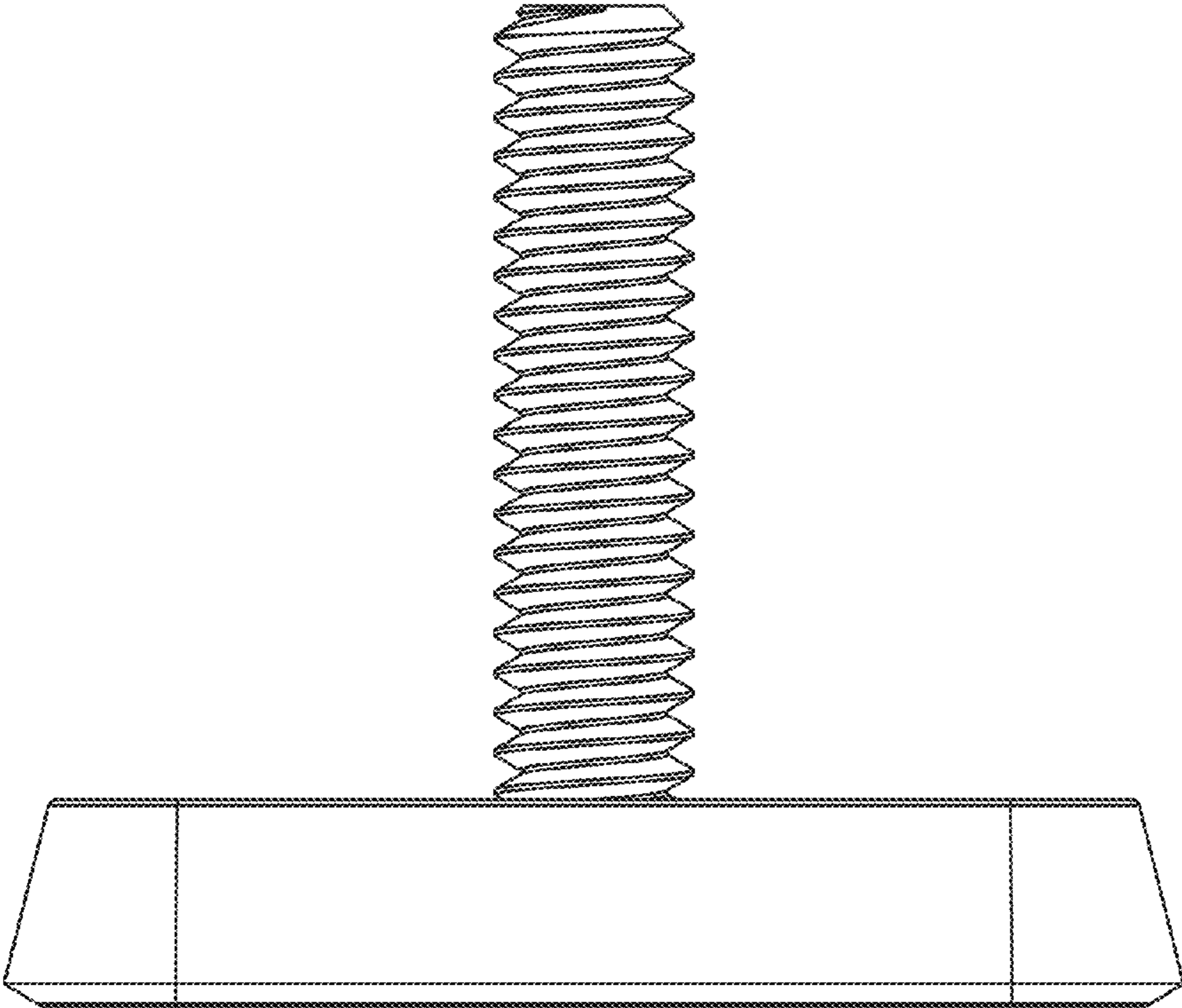


FIG 7

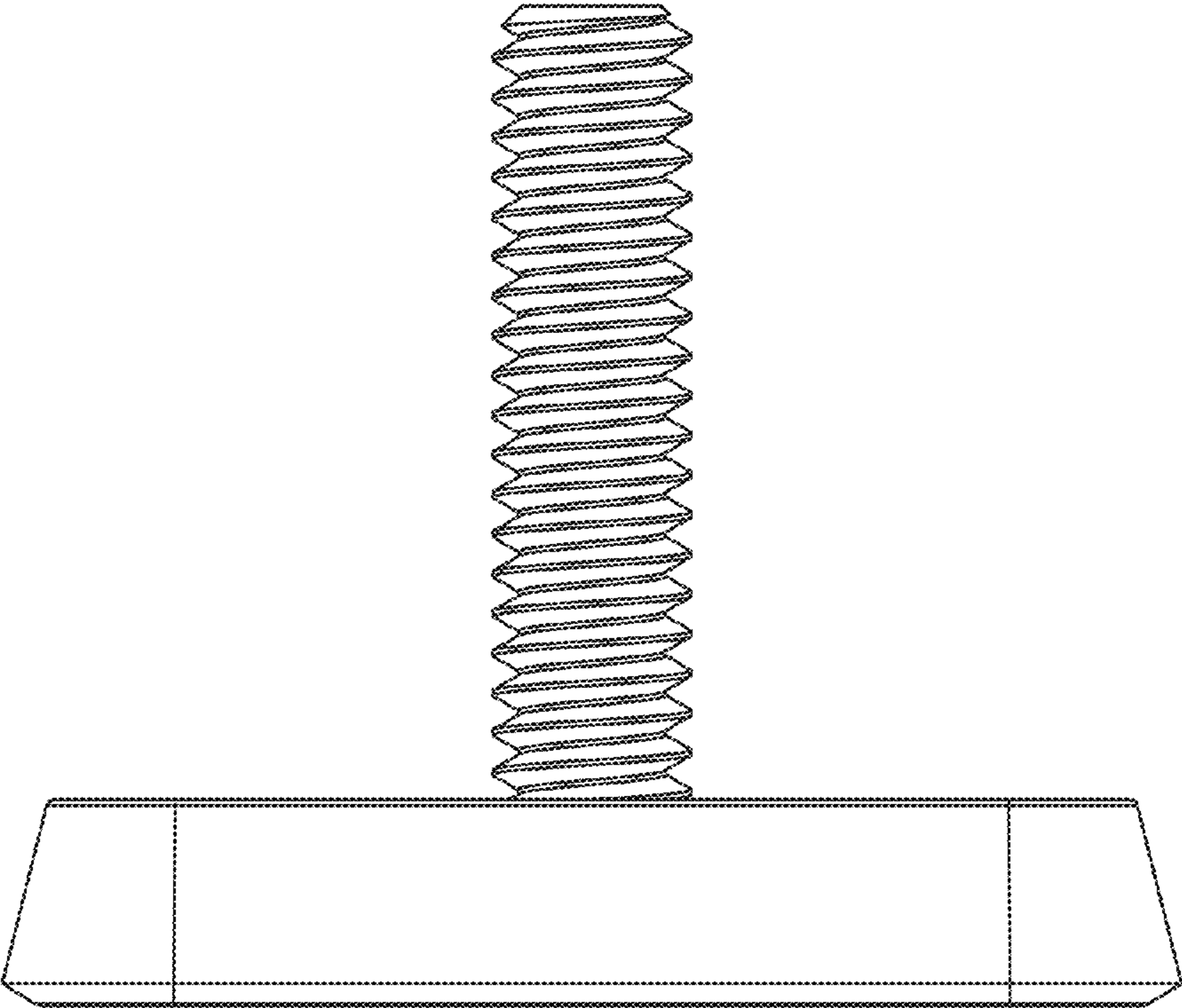


FIG 8

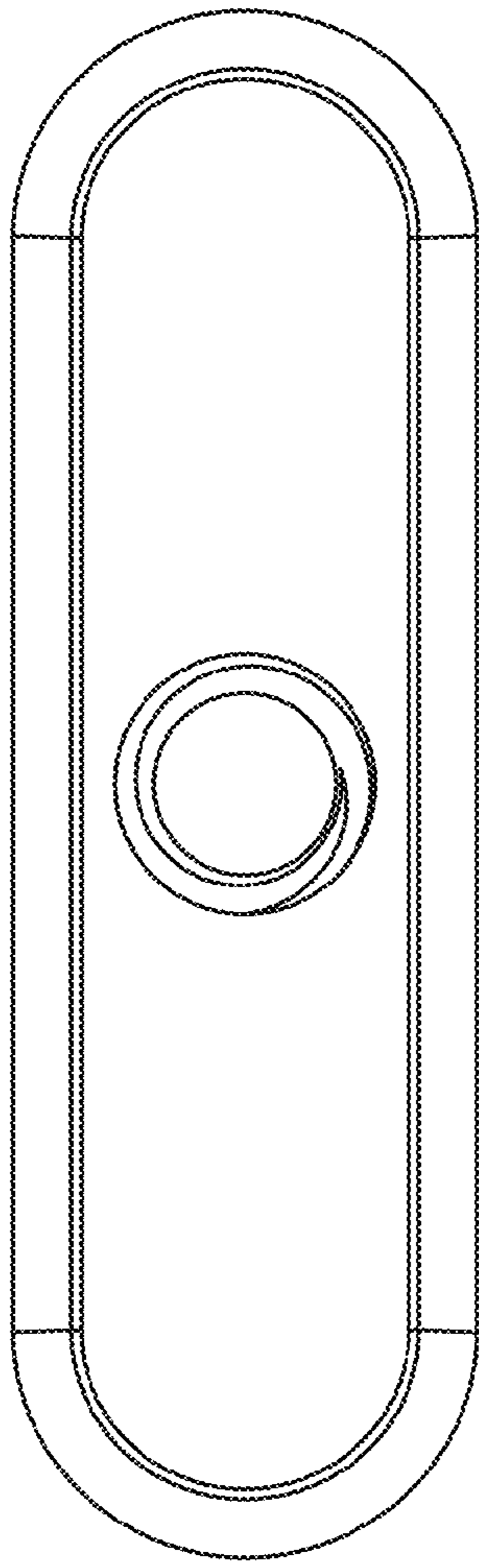


FIG 9

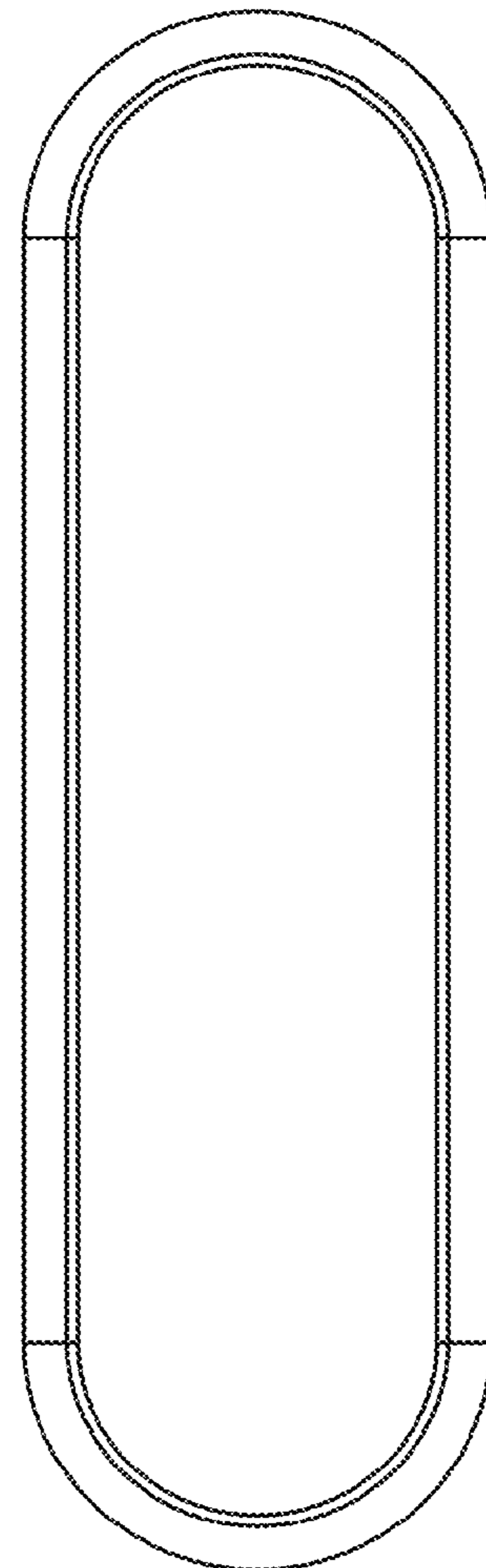


FIG 10