

US00D931092S

(12) **United States Design Patent** (10) **Patent No.:** **US D931,092 S**  
**Tu** (45) **Date of Patent:** **\*\* Sep. 21, 2021**

(54) **FURNITURE RISER**

(71) Applicant: **Yunhua Tu**, Fuzhou (CN)

(72) Inventor: **Yunhua Tu**, Fuzhou (CN)

(\*\*) Term: **15 Years**

(21) Appl. No.: **29/758,671**

(22) Filed: **Nov. 17, 2020**

(30) **Foreign Application Priority Data**

Oct. 10, 2020 (CN) ..... 202030599459.4

(51) **LOC (13) Cl.** ..... **08-05**

(52) **U.S. Cl.**  
USPC ..... **D8/374**

(58) **Field of Classification Search**  
USPC ..... D8/374, 363, 366, 373, 376, 380, 381  
CPC ..... A47B 91/00  
See application file for complete search history.

(56) **References Cited**

**U.S. PATENT DOCUMENTS**

D95,069	S *	4/1935	Richter	.....	D8/375
3,126,666	A *	3/1964	Petersen	.....	A47B 91/12 248/346.11
3,138,893	A *	6/1964	Rupar	.....	A47B 91/12 248/346.11
4,703,911	A *	11/1987	Rammell	.....	D06F 39/125 248/677
D338,360	S *	8/1993	Petersen	.....	D8/374
D404,992	S *	2/1999	Sittig	.....	D8/374
D423,340	S *	4/2000	Sittig	.....	D8/374
6,669,153	B1 *	12/2003	Allan	.....	A47B 91/00 248/188.9
6,715,840	B2 *	4/2004	Martin	.....	A47C 3/38 297/463.1
D492,190	S *	6/2004	Howe	.....	D8/374
D493,095	S *	7/2004	Sittig	.....	D8/374

D498,279	S *	11/2004	Sims	.....	D21/759
D498,412	S *	11/2004	Pehta	.....	D8/374
D513,583	S *	1/2006	Chase	.....	D8/374
D524,338	S *	7/2006	Sims	.....	D15/199
D548,577	S *	8/2007	Shiffler	.....	D8/376
D561,852	S *	2/2008	Frey	.....	D21/710
D562,672	S *	2/2008	Mussallem	.....	D8/363
D596,481	S *	7/2009	Yamamoto	.....	D8/374
D617,631	S *	6/2010	Bushey	.....	D8/374
D640,886	S *	7/2011	Glass	.....	D6/710
D647,391	S *	10/2011	Barrese	.....	D8/373
D649,442	S *	11/2011	Gardner	.....	D8/374
D650,262	S *	12/2011	Hinkle, III	.....	D8/374
D652,712	S *	1/2012	Bushey	.....	D8/374
D658,236	S *	4/2012	Dalfonzo	.....	D21/453
8,234,751	B2 *	8/2012	Bushey	.....	A47B 91/06 16/42 R
D728,353	S *	5/2015	Sharratt	.....	D8/374
D756,758	S *	5/2016	Meyers	.....	D8/374

(Continued)

*Primary Examiner* — Eliza Z Bennett-Hattan

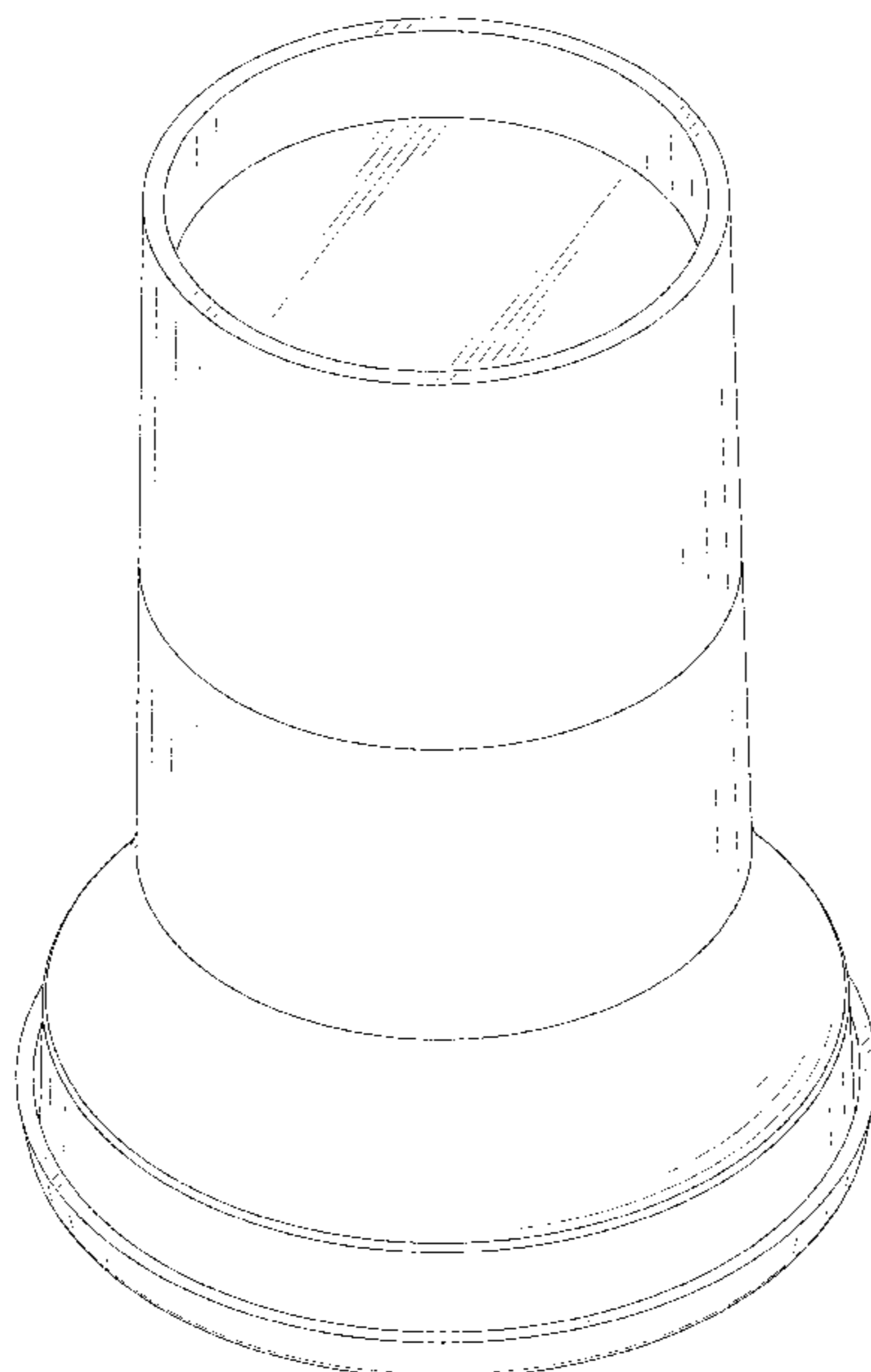
(57) **CLAIM**

The ornamental design for a furniture riser, as shown and described.

**DESCRIPTION**

FIG. 1 is a perspective view of a furniture riser showing my new design;  
FIG. 2 is another perspective view thereof;  
FIG. 3 is a front elevational view thereof;  
FIG. 4 is a rear elevational view thereof;  
FIG. 5 is a left side elevational view thereof;  
FIG. 6 is a right side elevational view thereof;  
FIG. 7 is a top plan view thereof;  
FIG. 8 is a bottom plan view thereof;  
FIG. 9 is an exploded view of the furniture riser; and,  
FIG. 10 is another exploded view thereof.  
The broken lines in the drawings depict portions of the furniture riser that form no part of the claimed design.

**1 Claim, 10 Drawing Sheets**



(56)

**References Cited**

U.S. PATENT DOCUMENTS

D793,786 S *	8/2017	Rawls-Meehan .....	D6/709
D798,132 S *	9/2017	Meyers .....	D8/374
D813,019 S *	3/2018	Wendling .....	D8/374
D863,701 S *	10/2019	Wendling .....	D32/25
D894,720 S	9/2020	Wendling	
D896,622 S	9/2020	Wendling	

\* cited by examiner

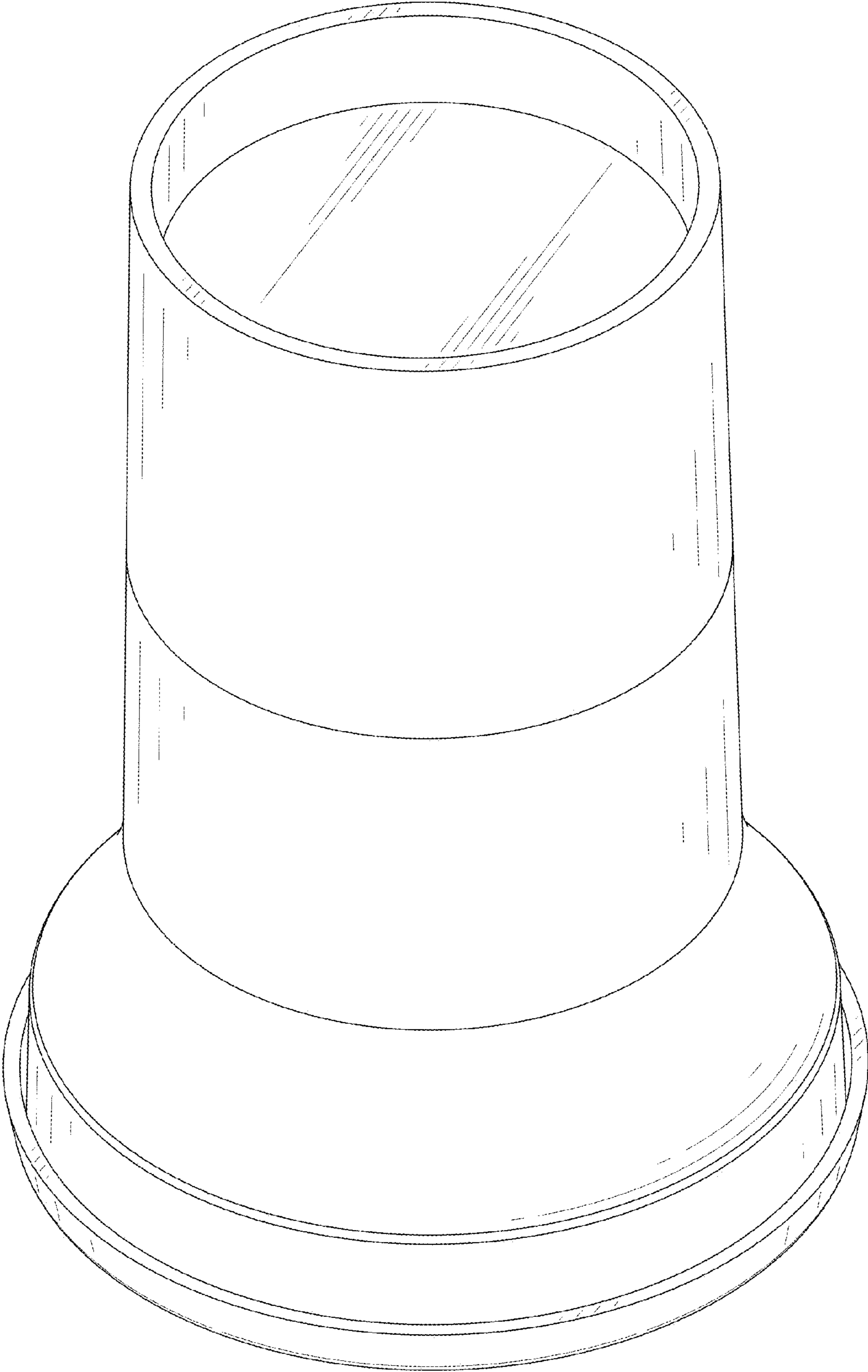


FIG. 1

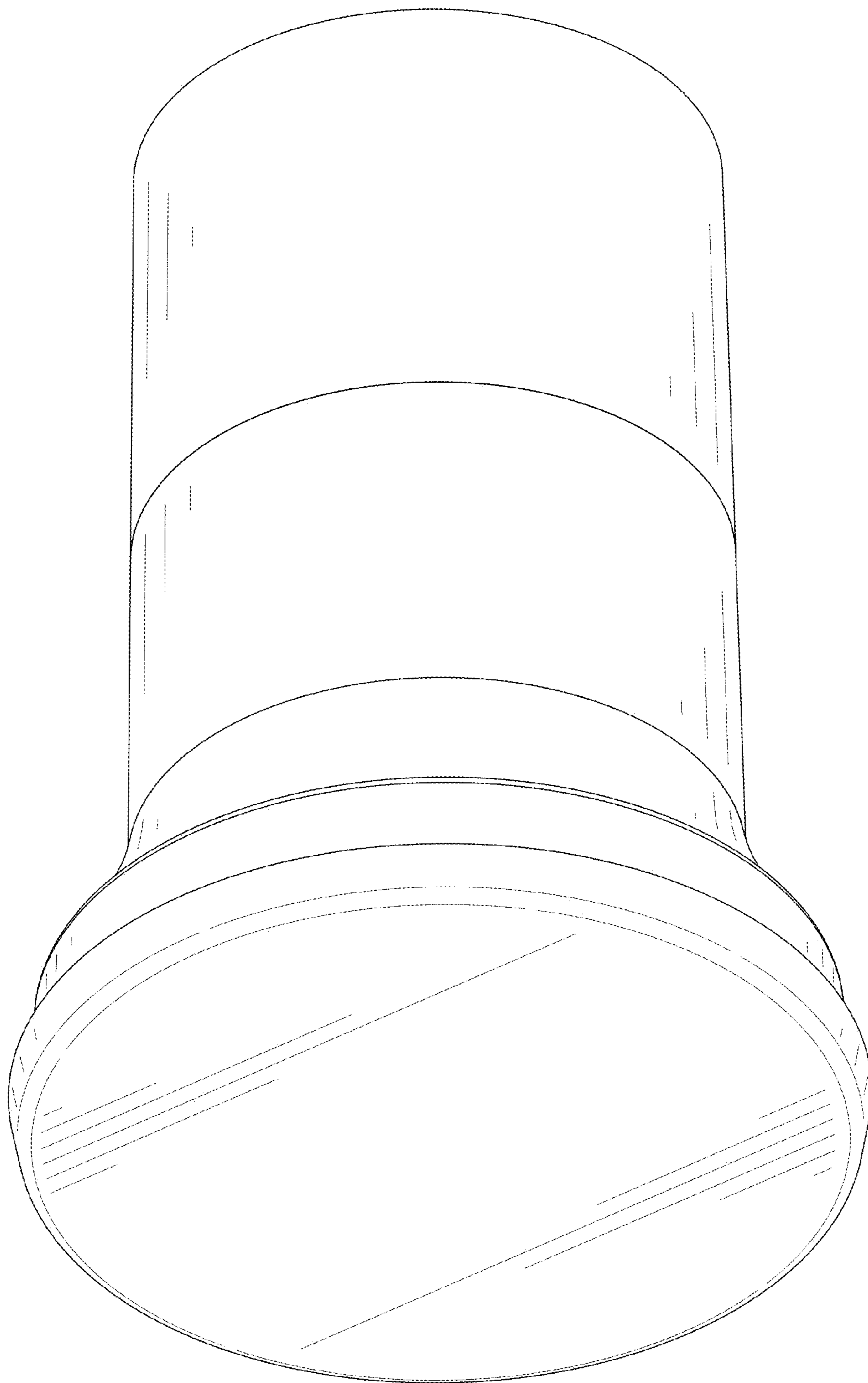


FIG. 2

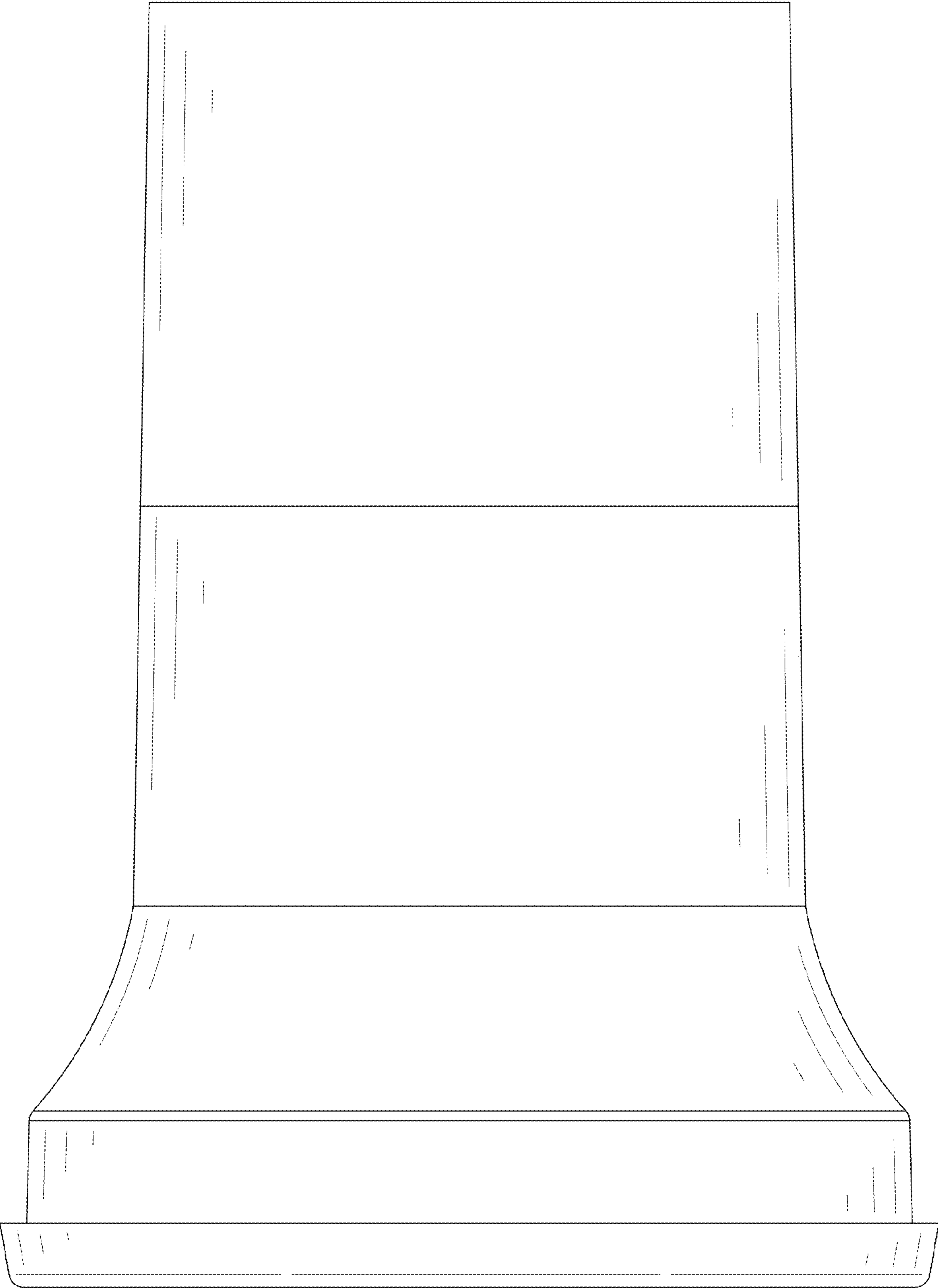


FIG. 3

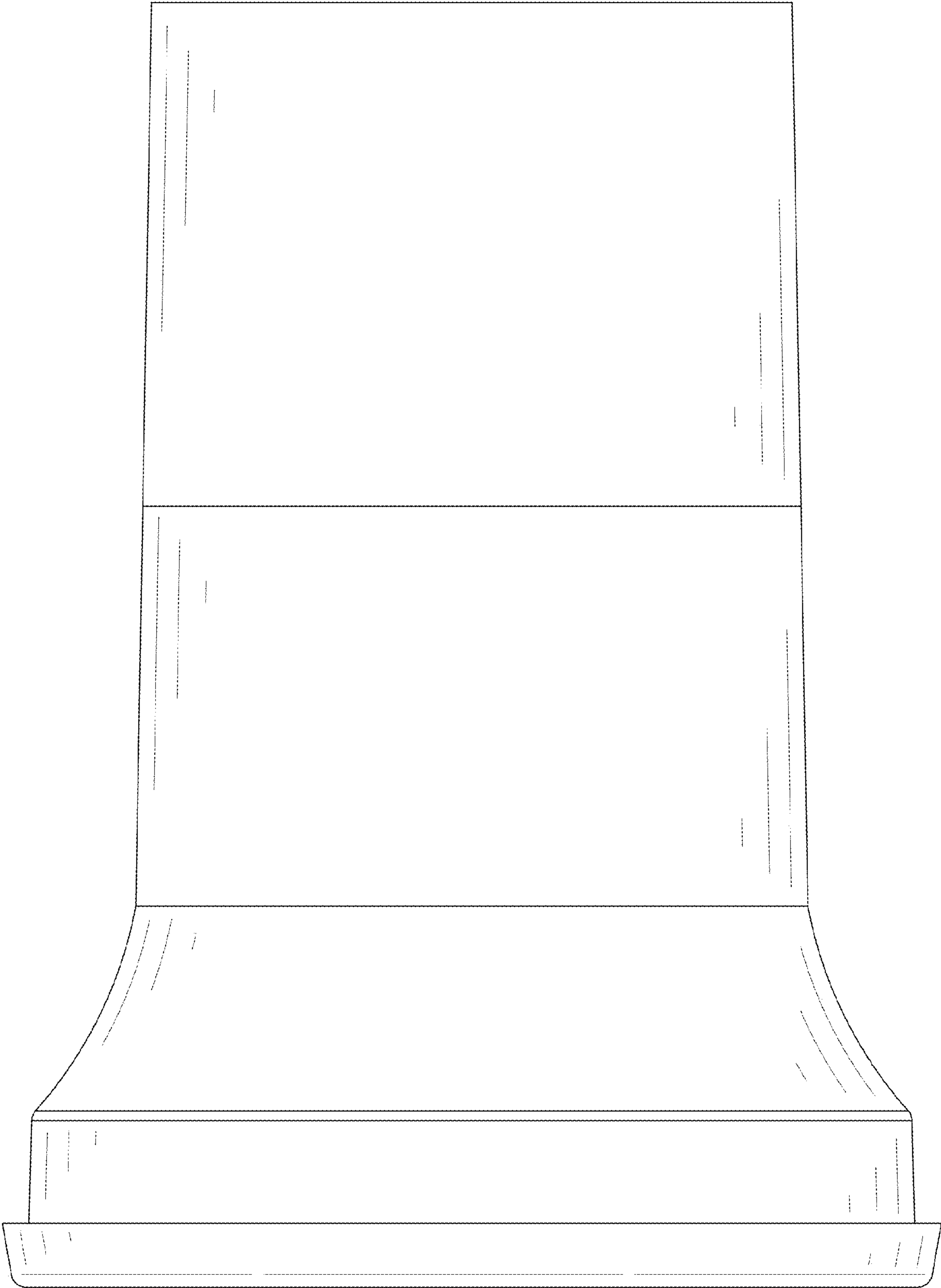


FIG. 4

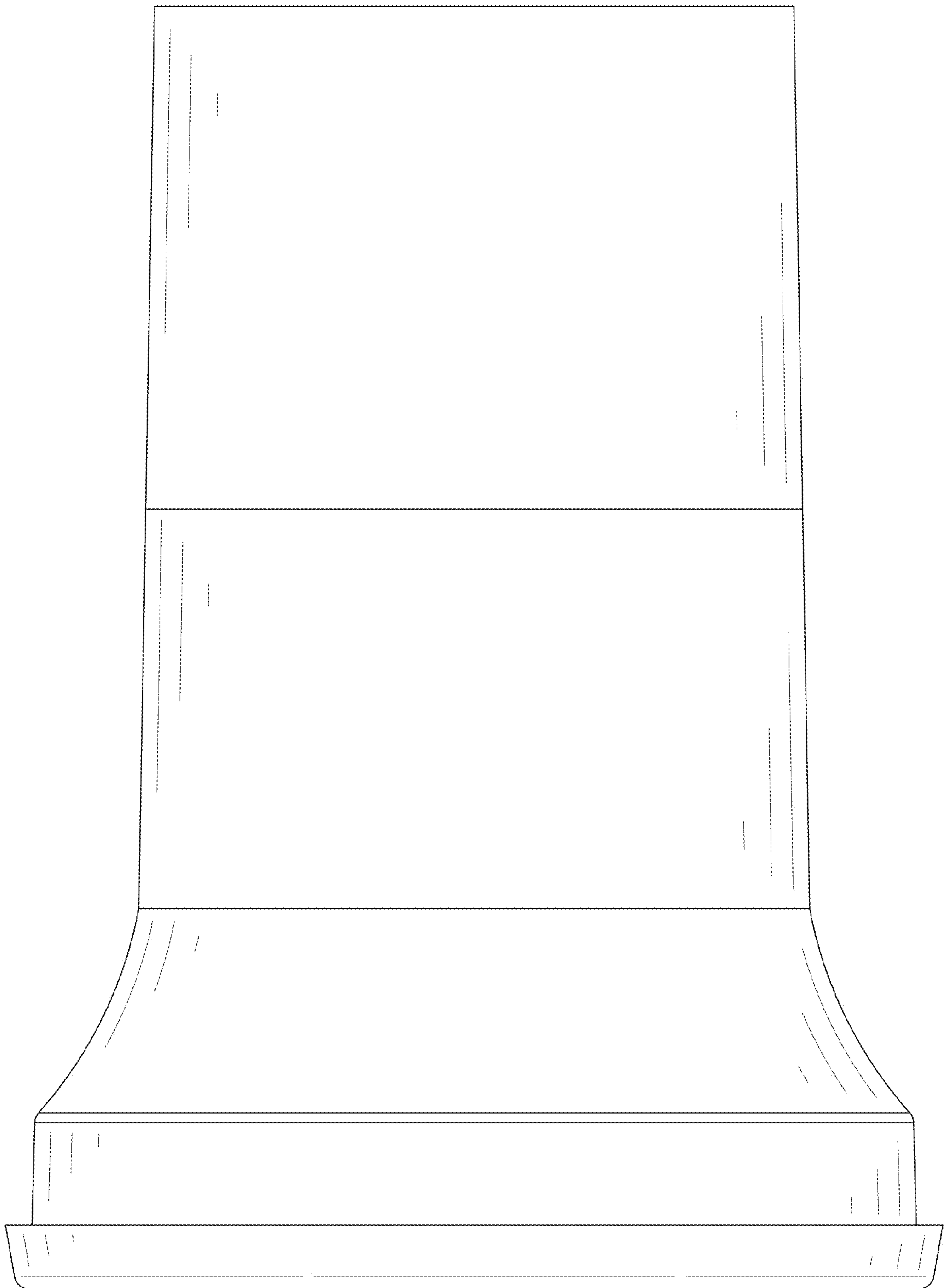


FIG. 5

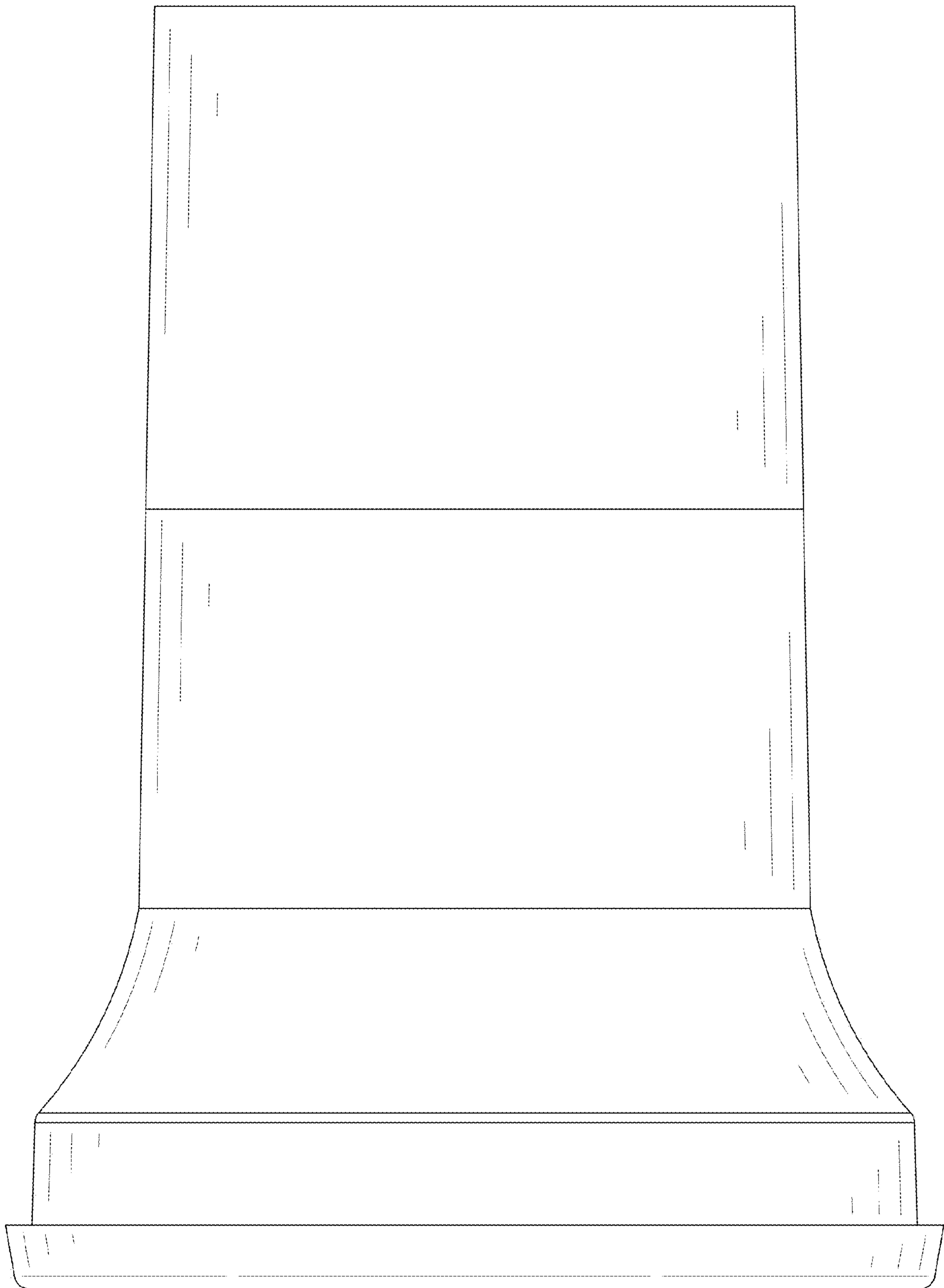


FIG. 6



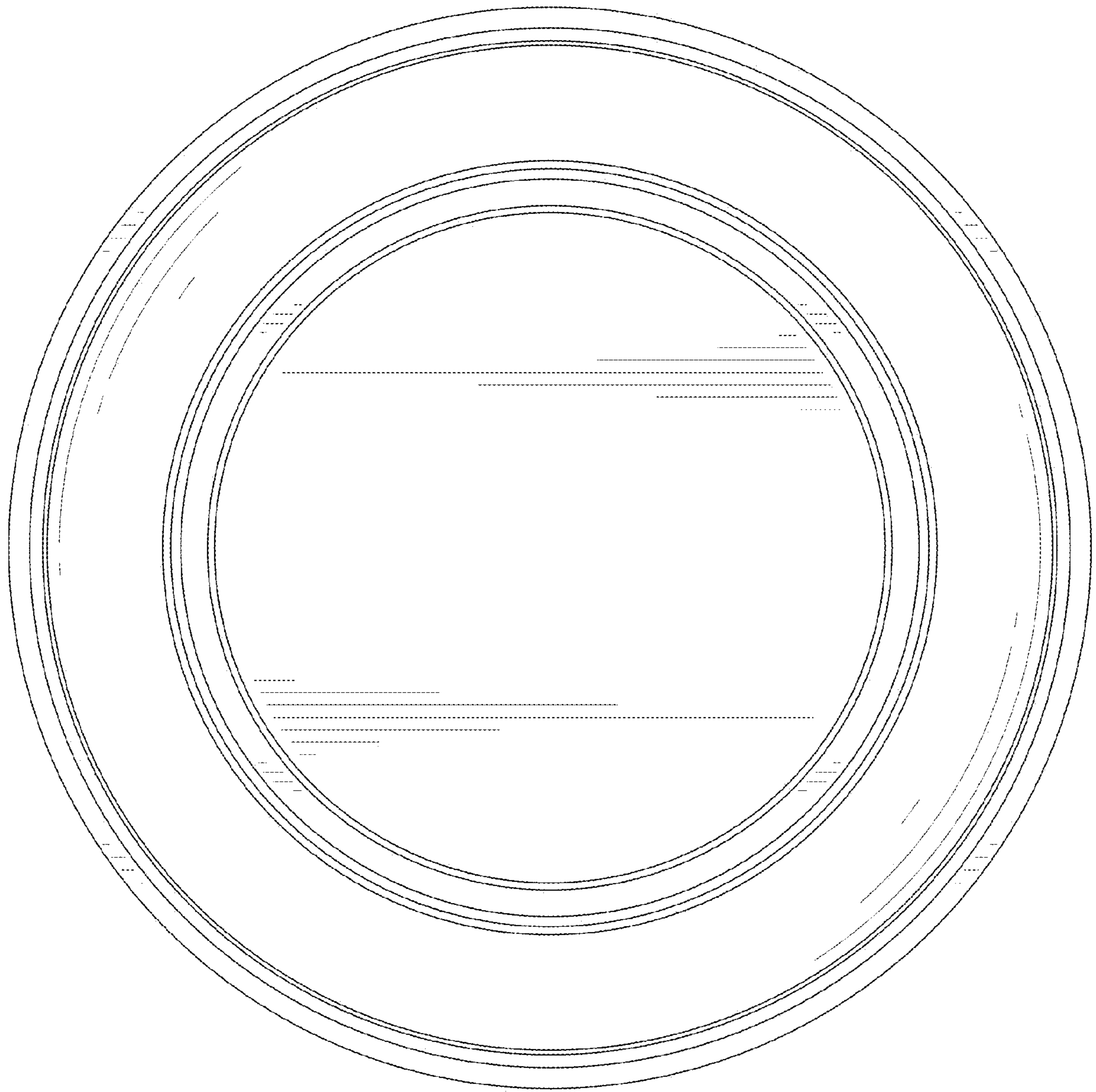


FIG. 7

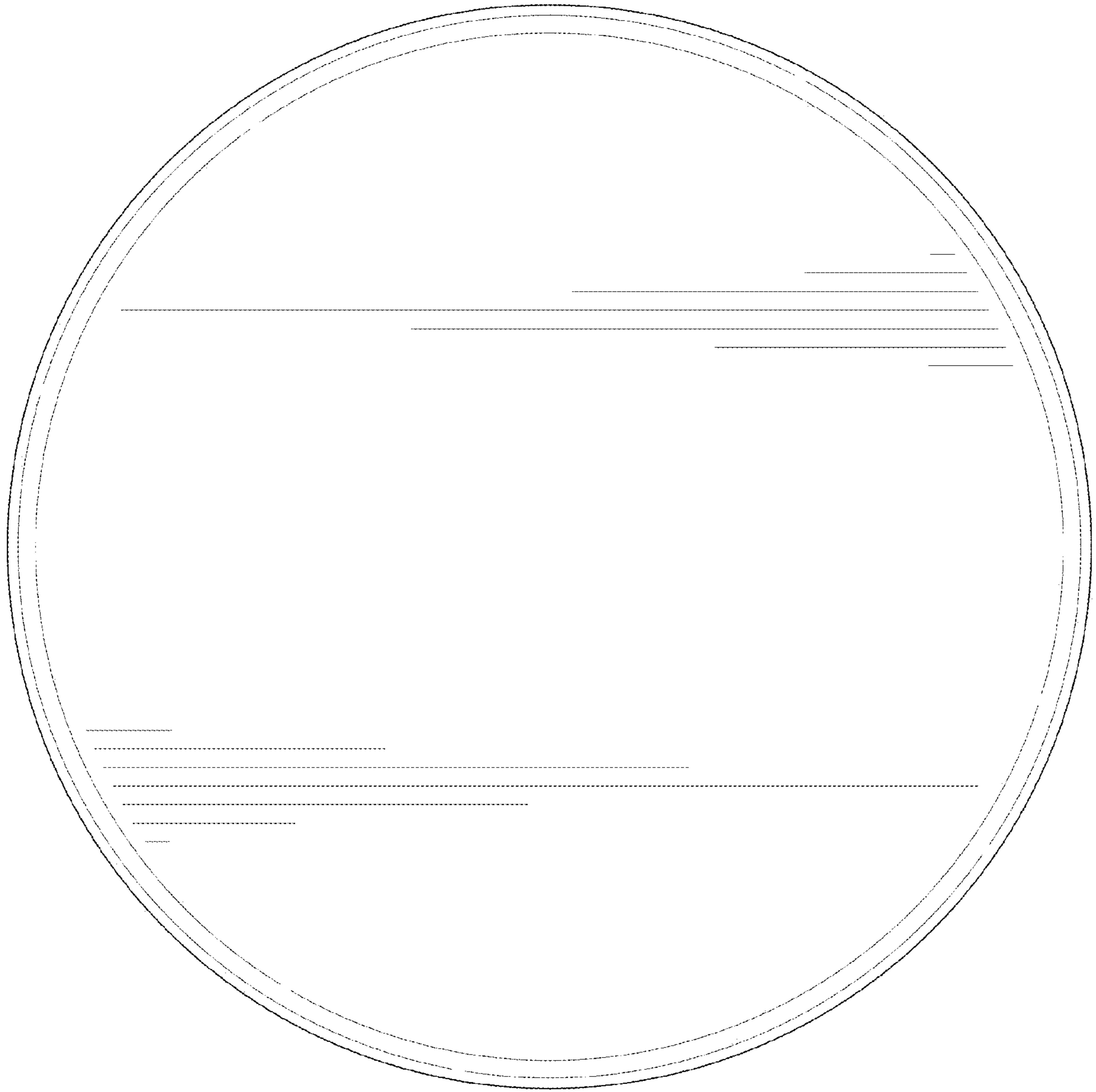


FIG. 8

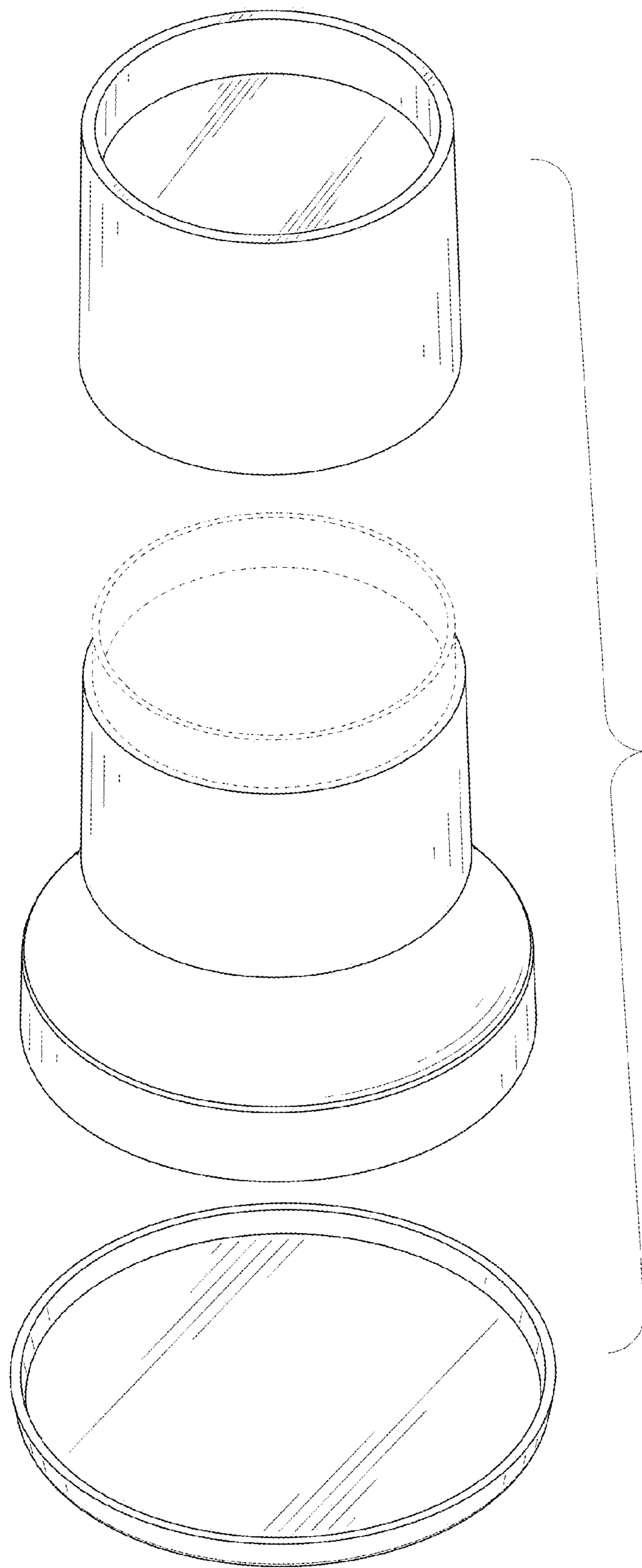


FIG. 9

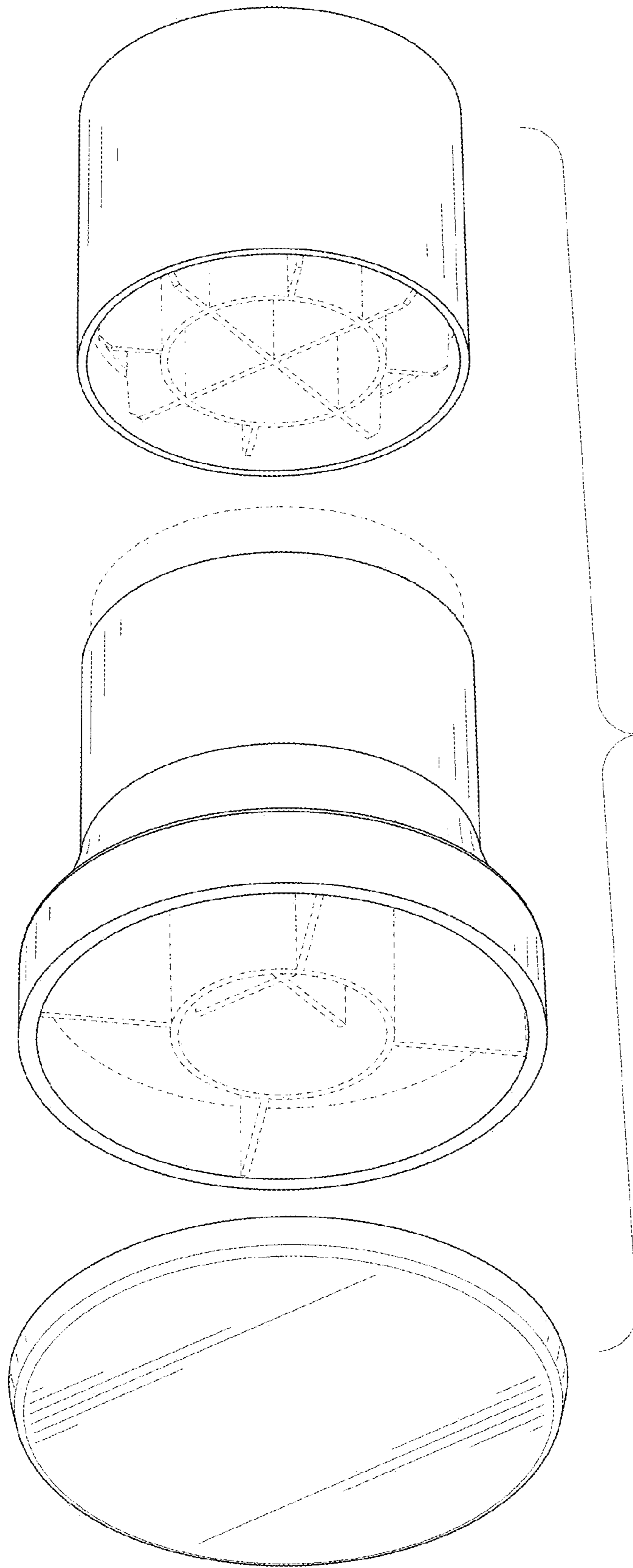


FIG. 10