



US00D931091S

(12) **United States Design Patent** (10) **Patent No.:** **US D931,091 S**
Blakely et al. (45) **Date of Patent:** **** Sep. 21, 2021**

(54) **SUCTION CUP HOOK**
(71) Applicant: **CAMCO MANUFACTURING, INC.**,
Greensboro, NC (US)
(72) Inventors: **Brandon Wayne Blakely**, Burlington,
NC (US); **Austin Hugh McGugan**,
Greensboro, NC (US)
(73) Assignee: **Camco Manufacturing, Inc.**,
Greensboro, NC (US)
(**) Term: **15 Years**
(21) Appl. No.: **29/697,781**
(22) Filed: **Jul. 11, 2019**
(51) **LOC (13) Cl.** **08-05**
(52) **U.S. Cl.**
USPC **D8/373**
(58) **Field of Classification Search**
USPC D8/373, 380-381, 385, 354, 71, 356,
D8/363, 367, 372, 379, 382; D11/79, 93,
D11/208, 218; D6/315, 323; D12/162
CPC A47F 5/00; A47F 5/0846; A47G 1/1633;
A47G 1/20; F16L 3/1025; F16L 3/1083;
F16L 3/1091; F16L 3/11; F16M 13/022;
F16M 13/027
See application file for complete search history.

D326,603 S * 6/1992 Rogers D6/323
D327,213 S * 6/1992 Murphy D8/367
D333,085 S * 2/1993 Thomsen D8/349
D348,386 S * 7/1994 Cogburn D8/367
D421,714 S * 3/2000 Moscovitch D8/331
D459,980 S * 7/2002 Nishida D8/367
(Continued)

OTHER PUBLICATIONS

ABS Vacuum Thick Rubber Suction Cup hooks, Date Visited: Jun.
29, 2021, Amazon, Date Available: Jul. 14, 2017, <https://www.amazon.co.uk/TOGU-TG-TC80-WT-Removable-bathroom-organizer/dp/B073XK6C8X> (Year: 2017).*

(Continued)

Primary Examiner — Susan Bennett Hattan
Assistant Examiner — Elizabeth S Ko
(74) *Attorney, Agent, or Firm* — Tuggle Duggins P.A.;
Blake P. Hurt

(57) **CLAIM**

The ornamental design for a suction cup hook, as shown and described.

DESCRIPTION

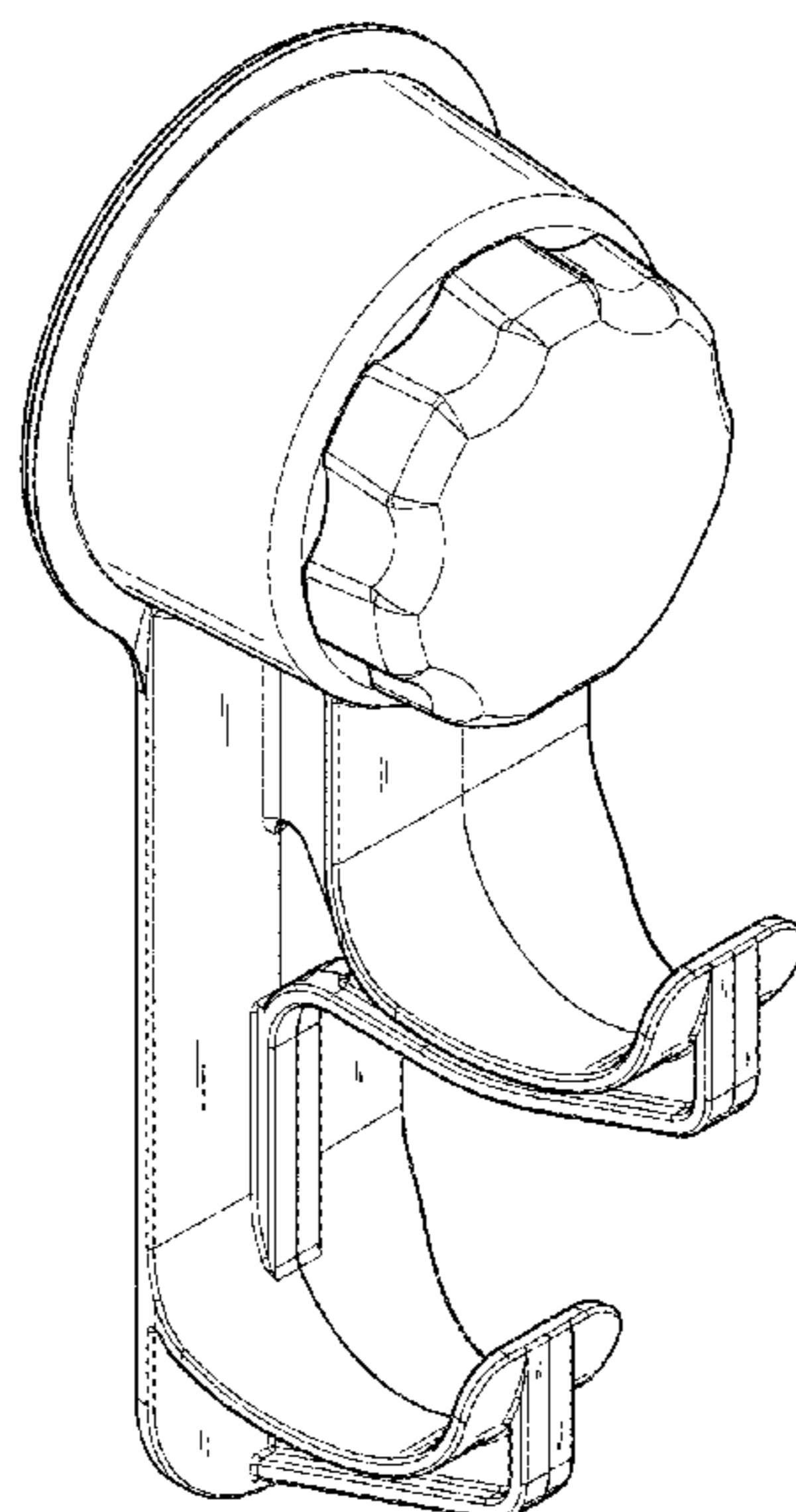
FIG. 1 is a top, front, left side perspective view of a suction cup hook showing our new design;
FIG. 2 is a bottom, rear, right side perspective view thereof;
FIG. 3 is a front elevational view thereof;
FIG. 4 is a rear elevational view thereof;
FIG. 5 is a top plan view thereof;
FIG. 6 is a bottom plan view thereof;
FIG. 7 is a left side elevational view thereof, the right side elevational view being a mirror image thereof;
FIG. 8 is a cross-sectional view taken along lines 3-3 of FIG. 3; and,
FIG. 9 is an exploded top, front, left side perspective view thereof.

1 Claim, 9 Drawing Sheets

(56) **References Cited**

U.S. PATENT DOCUMENTS

D243,426 S * 2/1977 Joslyn D6/567
D249,327 S * 9/1978 Gaines D8/367
D254,707 S * 4/1980 Einhorn D8/367
D254,881 S * 5/1980 Pyskaty D6/526
D300,406 S * 3/1989 Bordian 248/304
D304,655 S * 11/1989 Pool D6/323
D312,385 S * 11/1990 Hamann D8/367
D312,959 S * 12/1990 Hamann 248/220.43
D312,960 S * 12/1990 Embree D6/572
D315,091 S * 3/1991 Embree D8/367



(56)

References Cited

U.S. PATENT DOCUMENTS

D470,937 S * 2/2003 Gary D24/138
 D496,849 S * 10/2004 Abdi D8/367
 D511,088 S * 11/2005 Chiu D8/367
 D617,998 S * 6/2010 Goodman D6/323
 D666,082 S * 8/2012 Wu D8/367
 D724,346 S * 3/2015 Lim D6/553
 D727,657 S * 4/2015 Lim D6/553
 D727,718 S * 4/2015 McLaren Hall D8/373
 D769,107 S * 10/2016 McLaren Hall D8/373
 9,936,828 B1 * 4/2018 Adams, IV A47G 1/17
 D821,184 S * 6/2018 Berger D8/367
 D829,538 S * 10/2018 Kim D8/367
 D839,721 S * 2/2019 Downey D8/367
 D842,686 S * 3/2019 Dittrich D8/372
 D847,620 S * 5/2019 Umholtz D8/372
 D861,467 S * 10/2019 Woolman D8/367
 D863,943 S * 10/2019 Knight D8/367
 D872,567 S * 1/2020 Bond D8/373
 D878,909 S * 3/2020 Krake D8/367
 D887,254 S * 6/2020 Bond D8/367
 D906,097 S * 12/2020 Krull D8/367
 2003/0189148 A1 * 10/2003 Immerman A47G 25/0614
 248/304
 2010/0096513 A1 * 4/2010 Beebe E04H 4/14
 248/75

OTHER PUBLICATIONS

HASKO—Home _ Facebook, Date Visited: Jun. 29, 2021, Facebook, Date Available: Mar. 24, 2018, <https://www.facebook.com/pages/category/Product-Service/HASKO-1835222513445324/> (Year: 2018).*

Strong Vacuum Suction Cup Hook, Date Visited: Jun. 29, 2021, Dosric Games, Date Available: Jun. 29, 2021, https://www.dosricgames.com/index.php?main_page=product_info&products_id=350086 (Year: 2021).*

Teletrogy Suction Hook, Date Visited: Jun. 29, 2021, Amazon, Date Available: Sep. 6, 2018, <https://www.amazon.co.uk/Teletrogy-Rotation-Removable-Bathroom-Organization/dp/B07H4K1444> (Year: 2018).*

Yesloo Suction Hooks 2 Pack, Date Visited: Jun. 29, 2021, Amazon, Date Available: Jun. 3, 2020, <https://www.amazon.co.uk/Yesloo-Suction-Removable-Bathroom-Office/dp/B085ZYD5C6> (Year: 2020).*

* cited by examiner

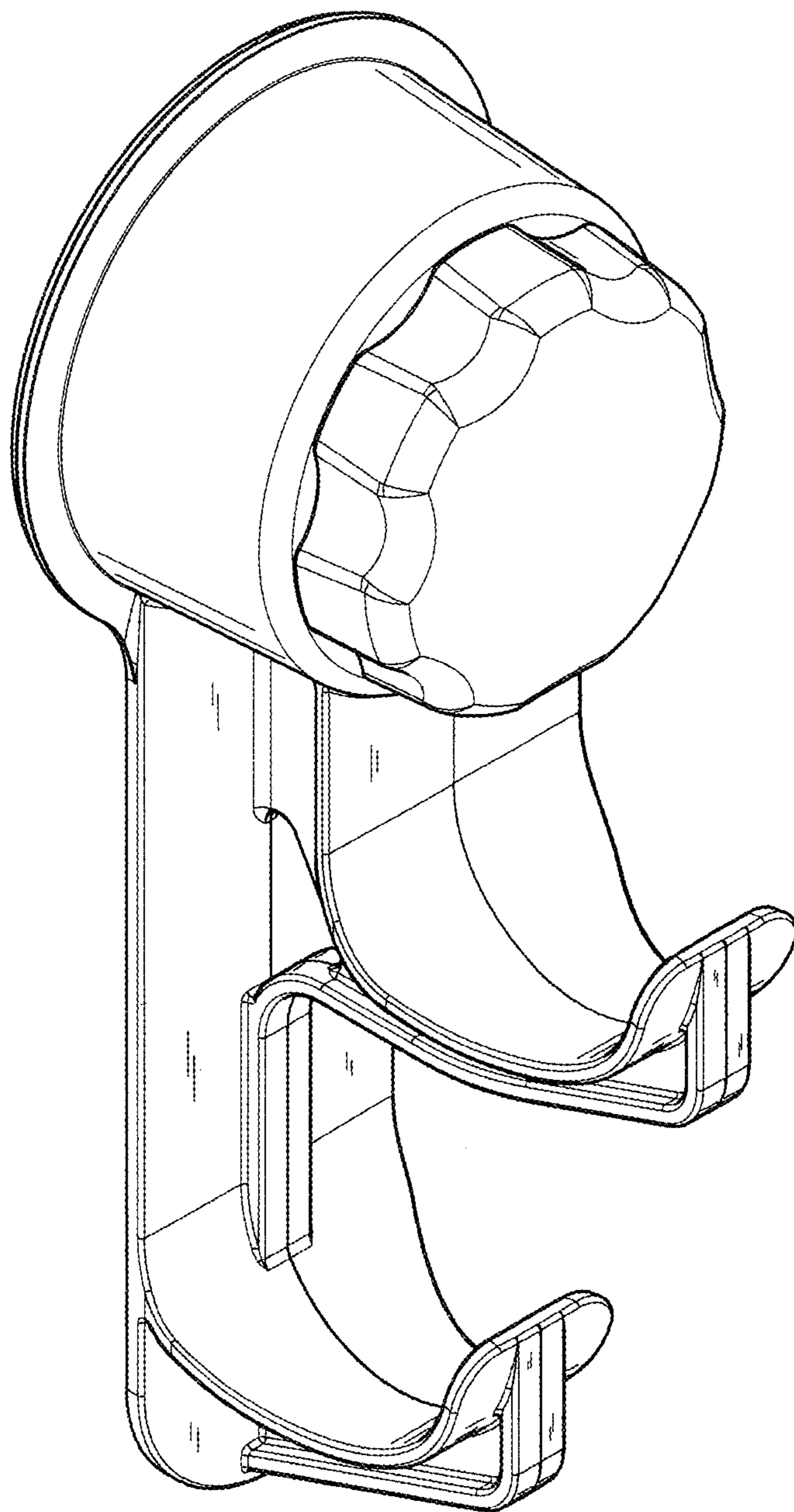


FIG. 1

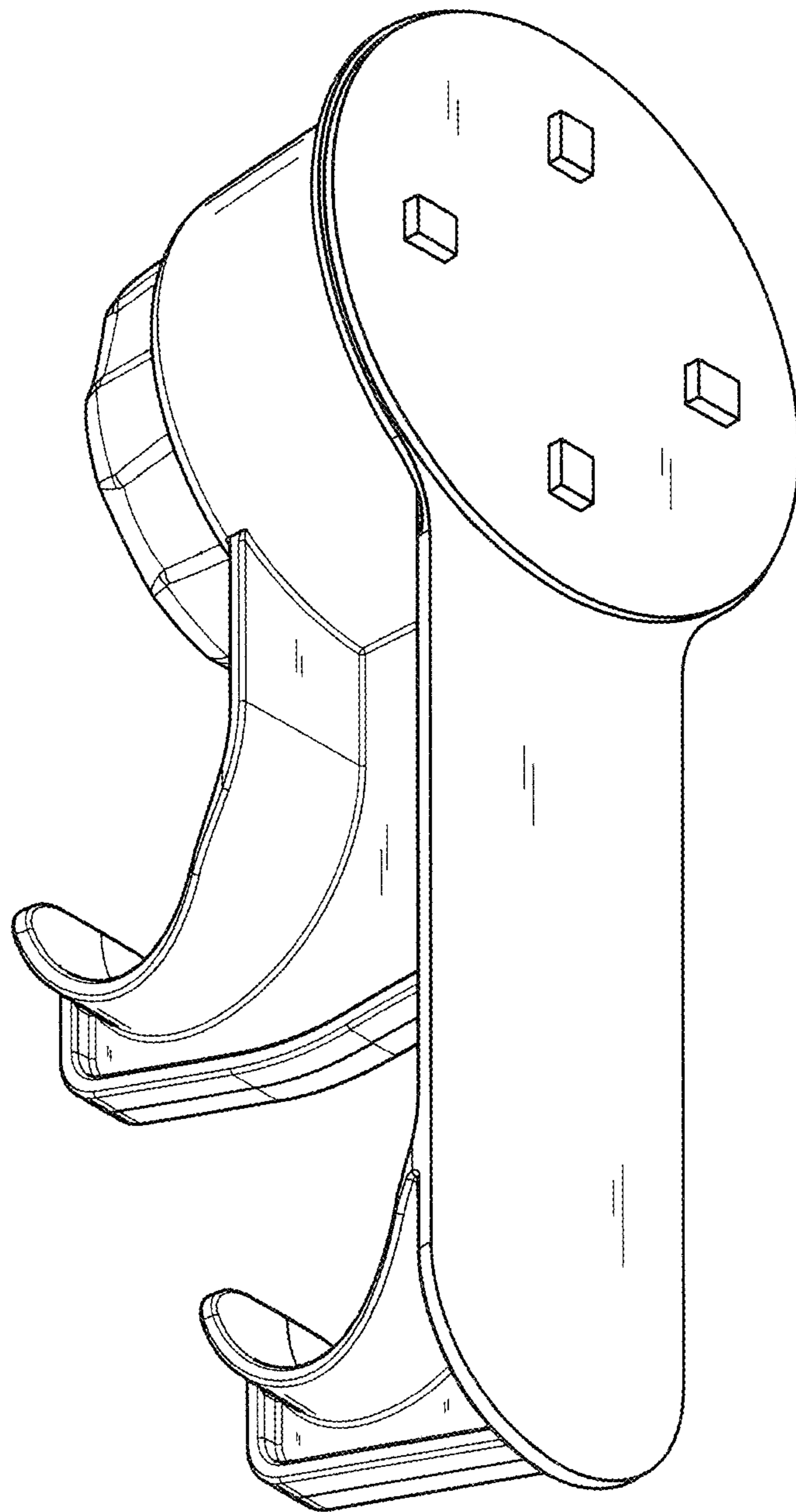


FIG. 2

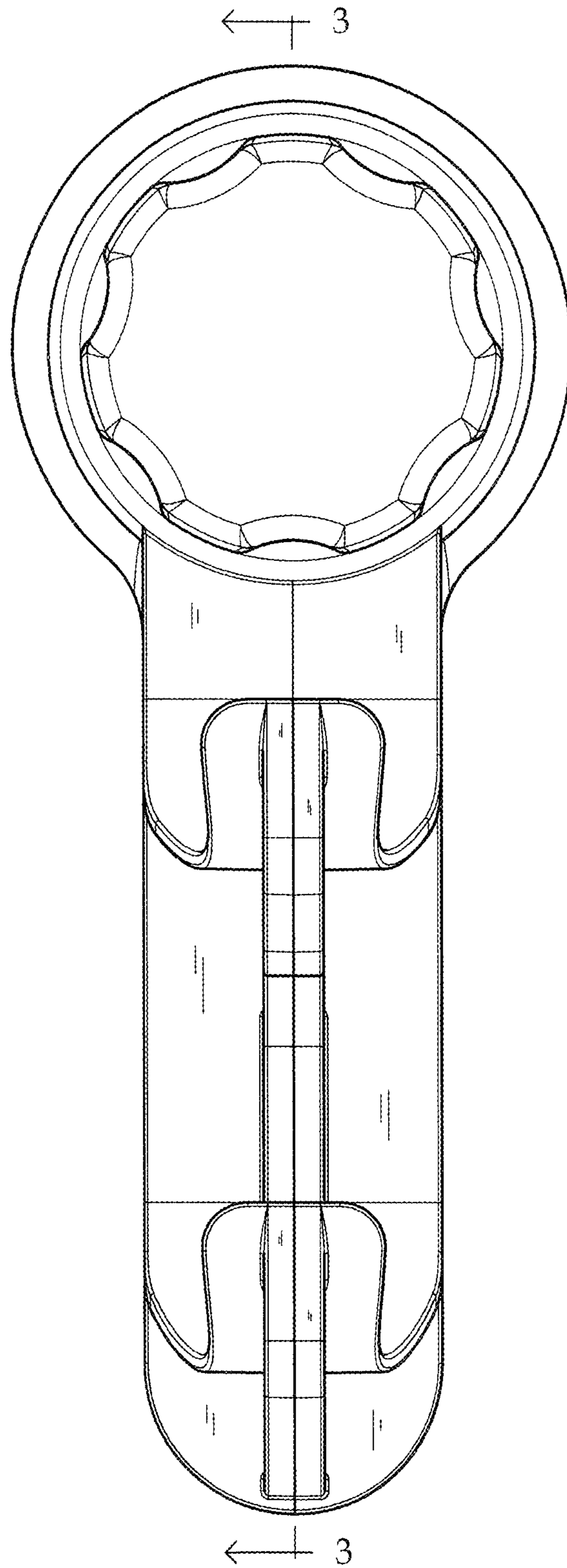


FIG. 3

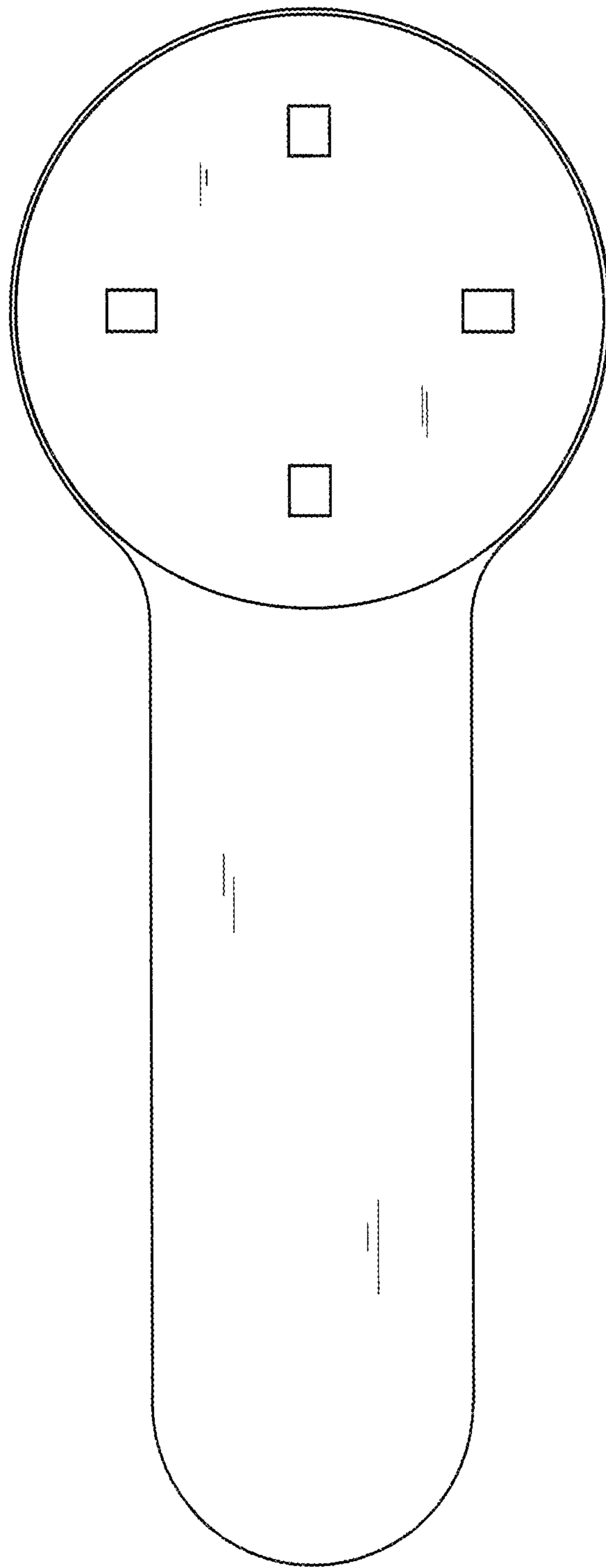


FIG. 4

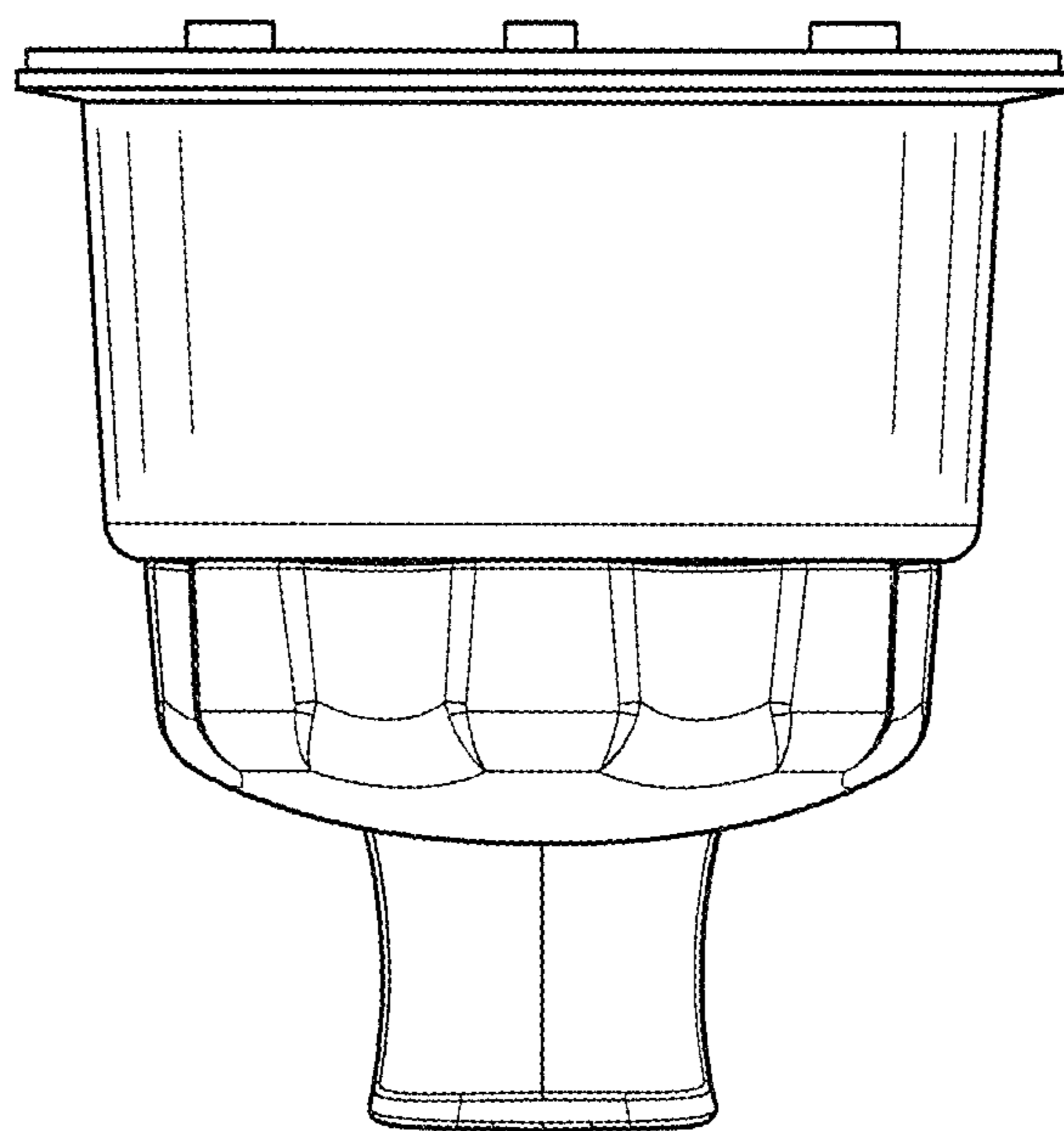


FIG. 5

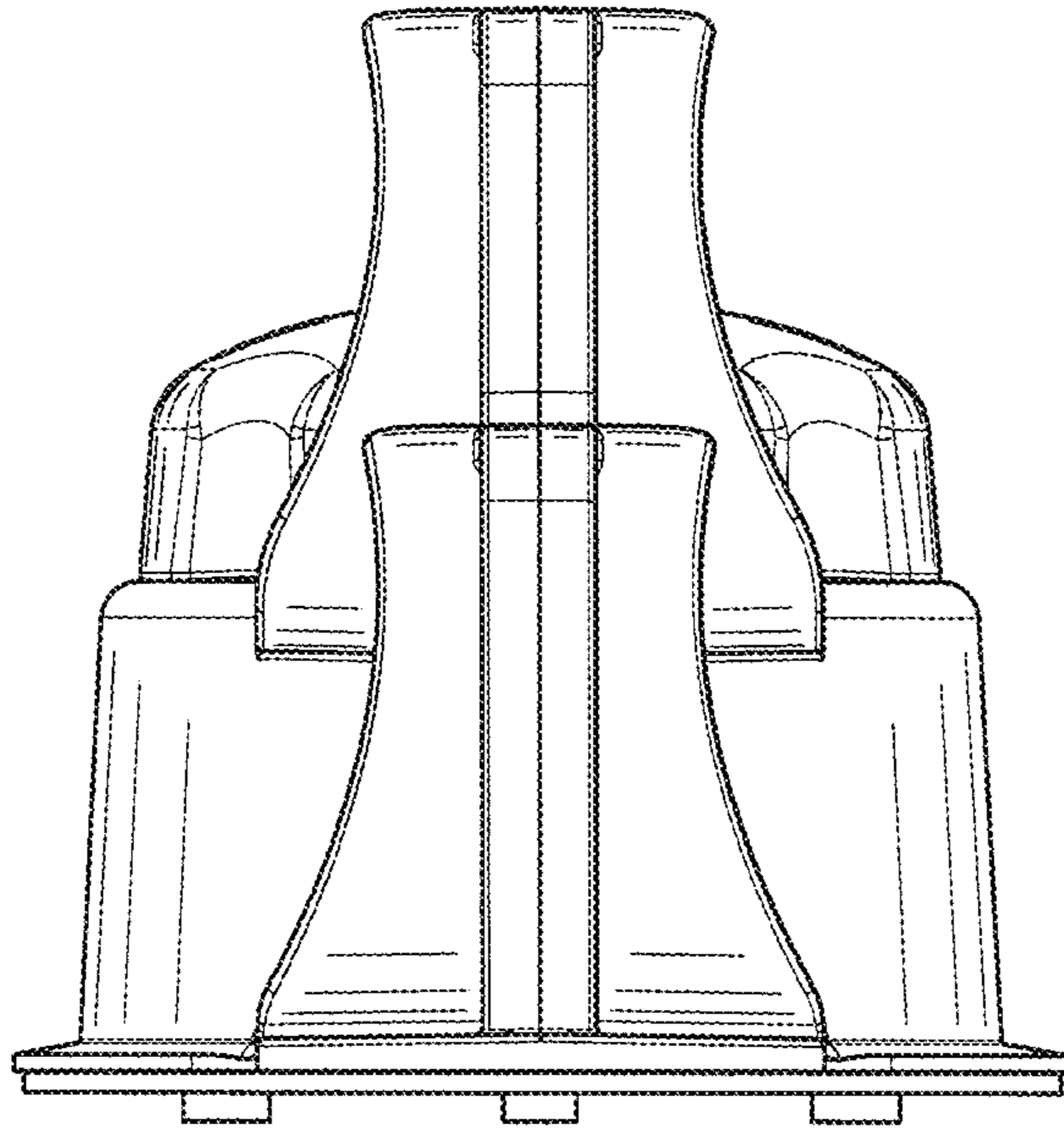


FIG. 6

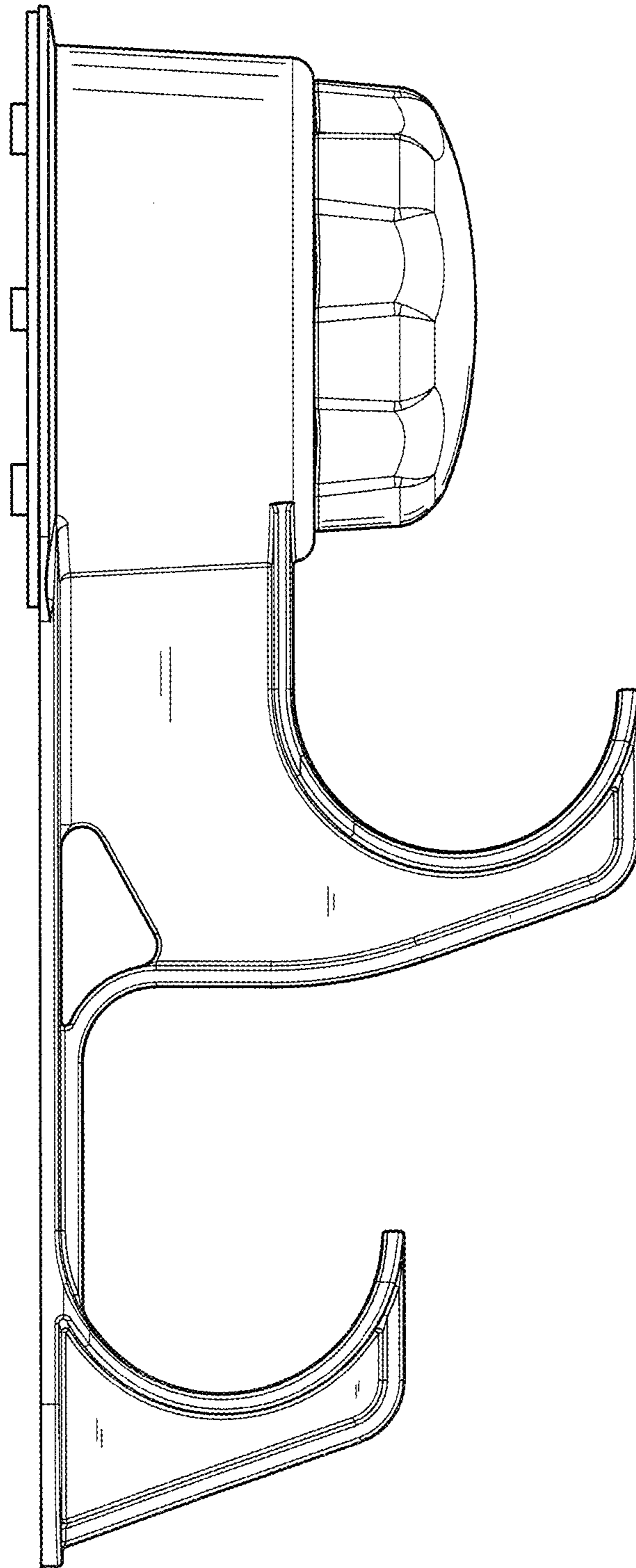


FIG. 7

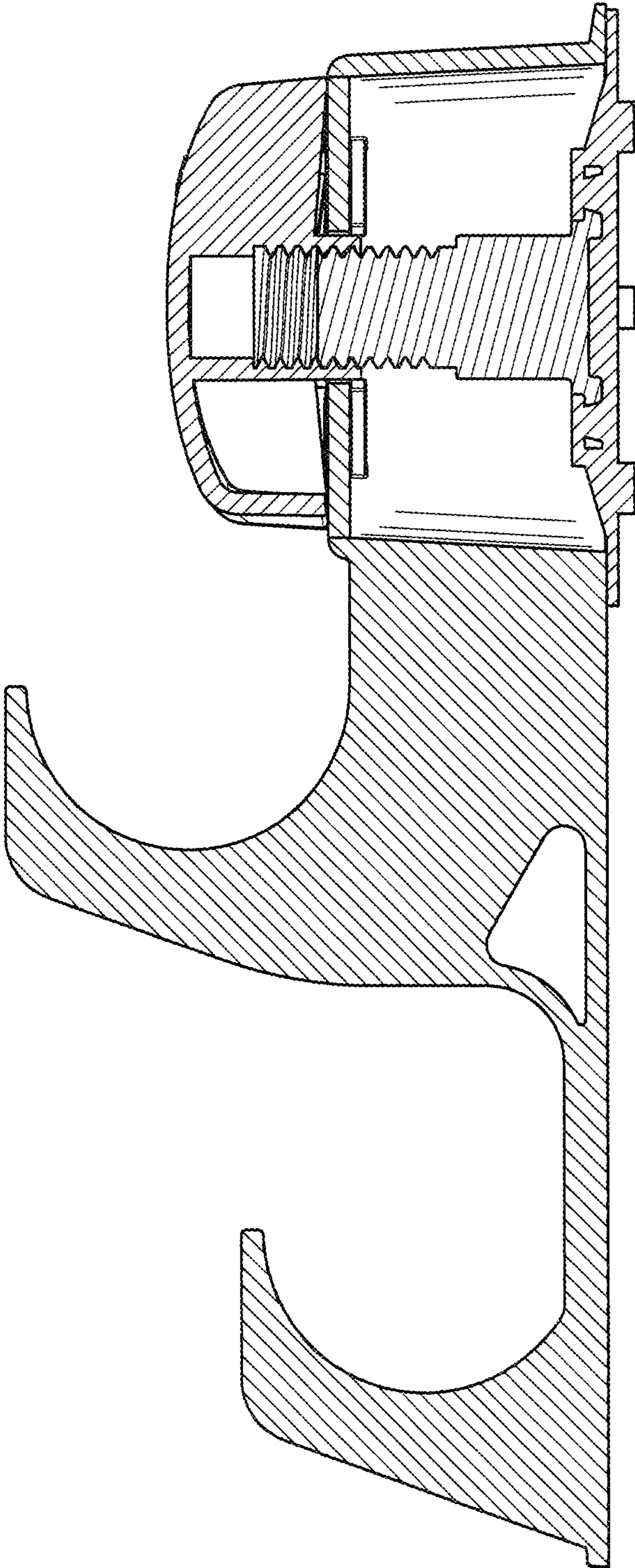


FIG. 8

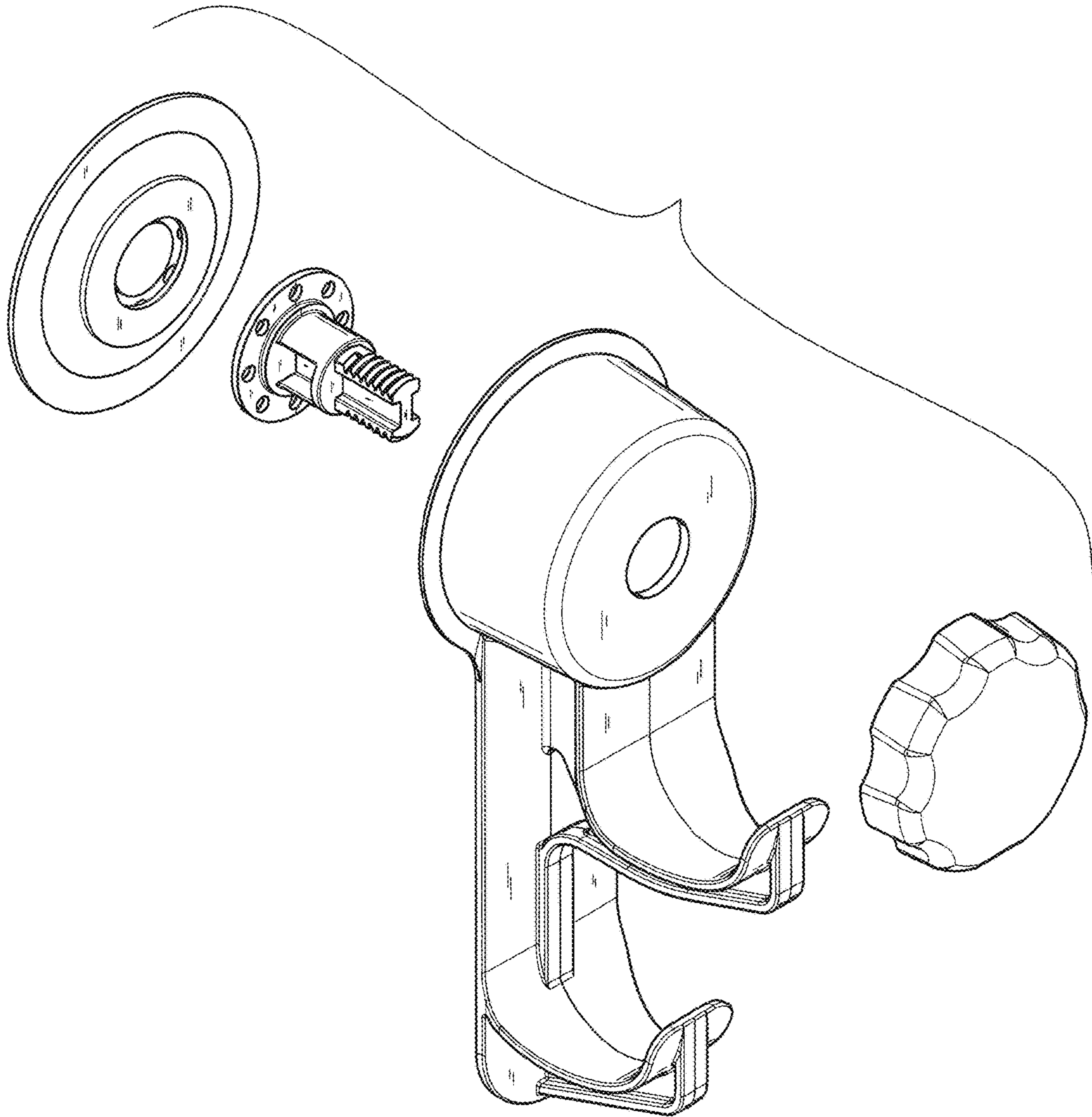


FIG. 9