



US00D931090S

(12) **United States Design Patent** (10) **Patent No.:** **US D931,090 S**
Hu (45) **Date of Patent:** **** Sep. 21, 2021**

(54) **HOOK**
(71) Applicant: **Chaolan Hu**, Nanchang (CN)
(72) Inventor: **Chaolan Hu**, Nanchang (CN)
(**) Term: **15 Years**
(21) Appl. No.: **29/764,554**
(22) Filed: **Dec. 30, 2020**
(51) **LOC (13) Cl.** **08-05**
(52) **U.S. Cl.**
USPC **D8/367**
(58) **Field of Classification Search**
USPC D8/367, 356, 354, 349; D12/420, 223;
24/16 PB; 361/826; D6/315
CPC B60R 7/043; B60R 7/08; A47C 7/52
See application file for complete search history.

(56) **References Cited**
U.S. PATENT DOCUMENTS
1,333,692 A * 3/1920 Wester A47G 25/0607
248/215
D99,881 S * 6/1936 Miller D8/499
3,630,475 A * 12/1971 Barry A47G 29/083
248/215
3,718,947 A * 3/1973 Huber B66C 1/14
24/298
D244,910 S * 7/1977 Chasen D8/367
4,646,396 A * 3/1987 Geese F16B 45/02
223/88
5,174,536 A * 12/1992 Pelletier A47F 5/0853
160/67
D342,889 S * 1/1994 Adams D8/367
6,270,048 B1 * 8/2001 Carlson B60P 1/00
224/560
D494,050 S * 8/2004 Klein D6/513
7,410,139 B1 * 8/2008 Rohrich F16B 2/065
248/302
D584,939 S * 1/2009 Snell D8/367

D613,589 S * 4/2010 Goodman D8/367
D669,764 S * 10/2012 Kelleghan D8/356
D697,388 S * 1/2014 Pan D8/367
D707,111 S * 6/2014 Callif D8/367
D708,446 S * 7/2014 Goodman D6/323
D720,984 S * 1/2015 Privitera D8/367
D726,526 S * 4/2015 Veilleux D8/367
D746,127 S * 12/2015 Cohen D8/367
D753,472 S * 4/2016 Pan D8/371
D761,638 S * 7/2016 Johnson D8/367
D784,798 S * 4/2017 Logsdon D8/394
D795,678 S * 8/2017 Early D8/367
D800,962 S * 10/2017 Joseph D28/7
D810,547 S * 2/2018 Lynn D8/367
D817,748 S * 5/2018 Wang D8/367
D818,803 S * 5/2018 Rogers D8/367
D819,431 S * 6/2018 Goodman D8/367

(Continued)

Primary Examiner — Cynthia R Underwood

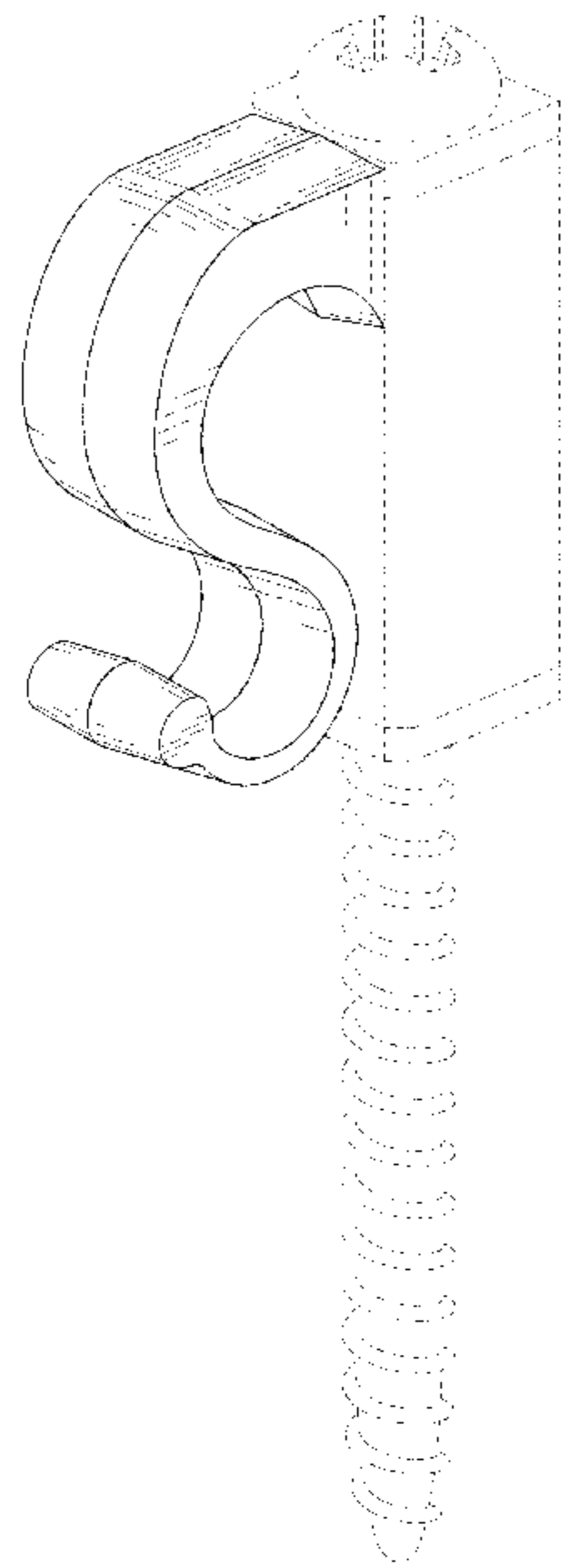
(57) **CLAIM**

The ornamental design for a hook, as shown and described.

DESCRIPTION

FIG. 1 is a front and top perspective view of a hook, showing my new design;
FIG. 2 is a rear and bottom perspective view thereof;
FIG. 3 is a front elevation view thereof;
FIG. 4 is a rear elevation view thereof;
FIG. 5 is a left side elevation view thereof;
FIG. 6 is a right side elevation view thereof;
FIG. 7 is a top plan view thereof;
FIG. 8 is a bottom plan view thereof;
FIG. 9 is a left side elevation view of the hook, shown in an alternative environment; and,
FIG. 10 is a right side elevation view of the hook, shown in another alternative environment.
The broken lines in the figures depict the environmental structures only and form no part of the claimed design.

1 Claim, 10 Drawing Sheets



(56)

References Cited

U.S. PATENT DOCUMENTS

D842,083	S	3/2019	Thompson et al.	
D844,418	S *	4/2019	Kacines	D8/376
D924,019	S *	7/2021	Julian	D7/693
2003/0066938	A1 *	4/2003	Zimmerman	F21V 21/088 248/301
2004/0164211	A1 *	8/2004	Orona	B60N 2/4666 248/214
2004/0178240	A1 *	9/2004	Bauer	A45F 5/02 224/268
2005/0087662	A1 *	4/2005	Jacobs	H02G 3/30 248/339
2006/0162138	A1 *	7/2006	Kimura	B66C 1/36 24/599.6
2007/0119891	A1 *	5/2007	Lawrence	A01K 97/14 224/669
2018/0080496	A1 *	3/2018	Early	F16B 45/00

* cited by examiner

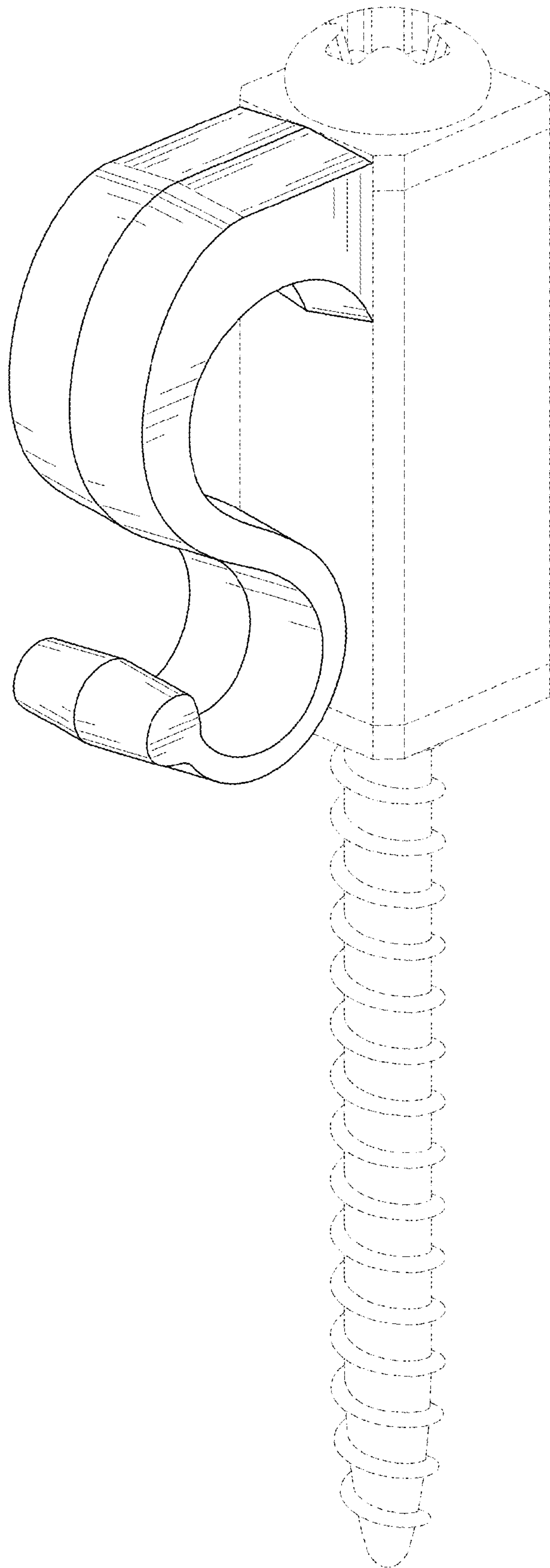


FIG. 1

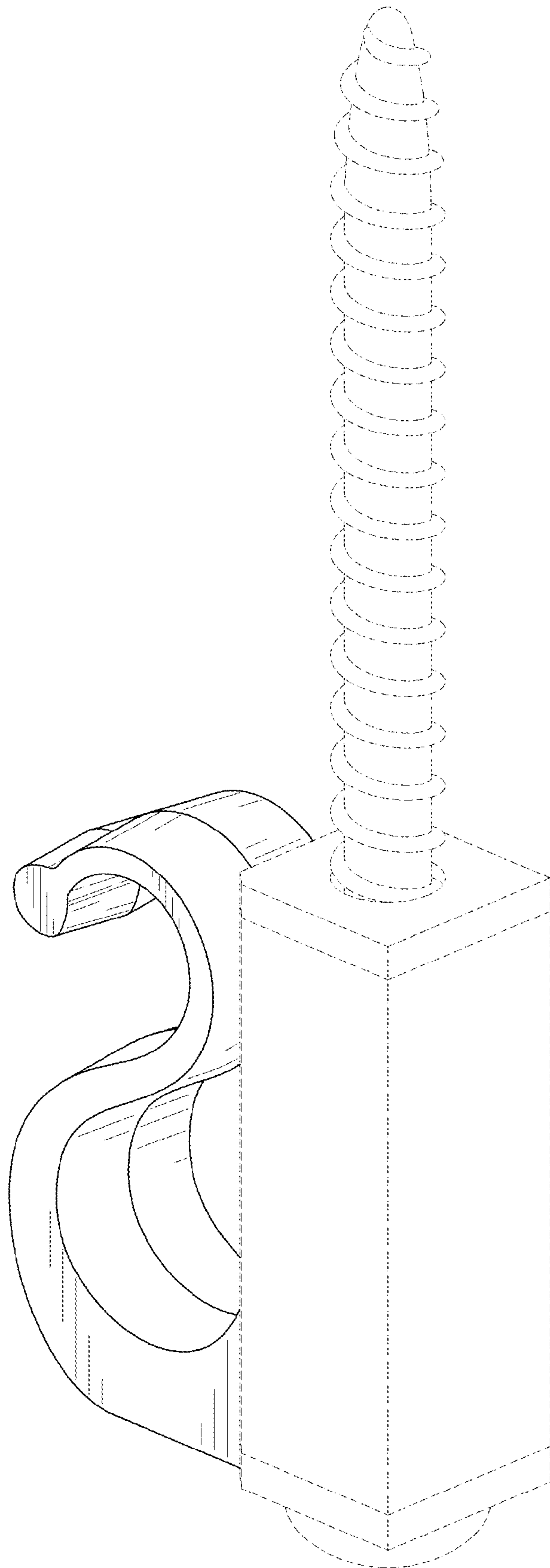


FIG. 2

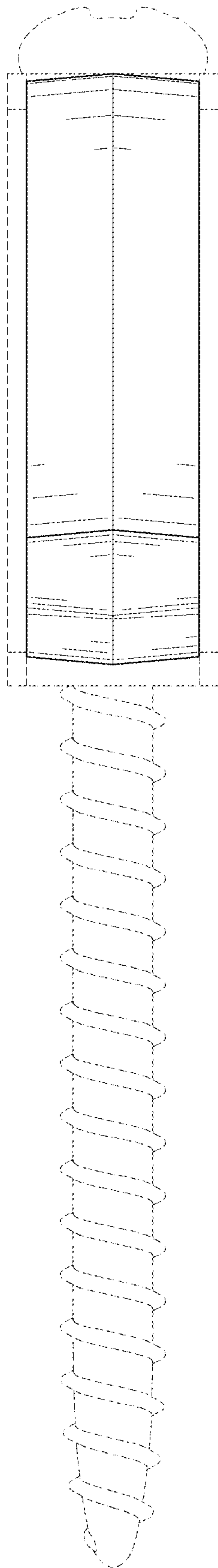


FIG. 3

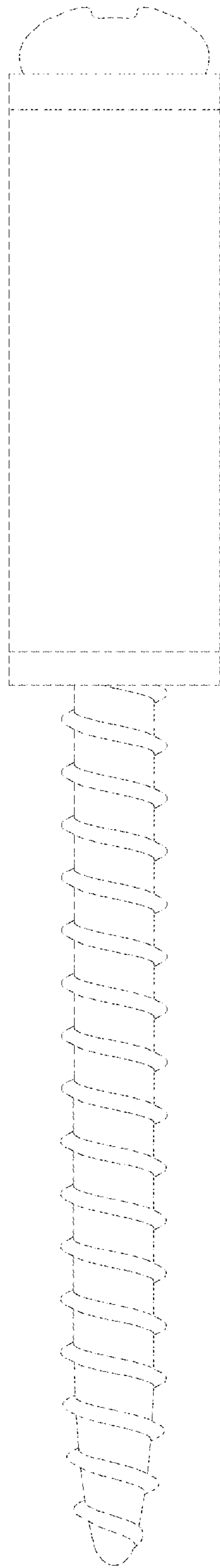


FIG. 4

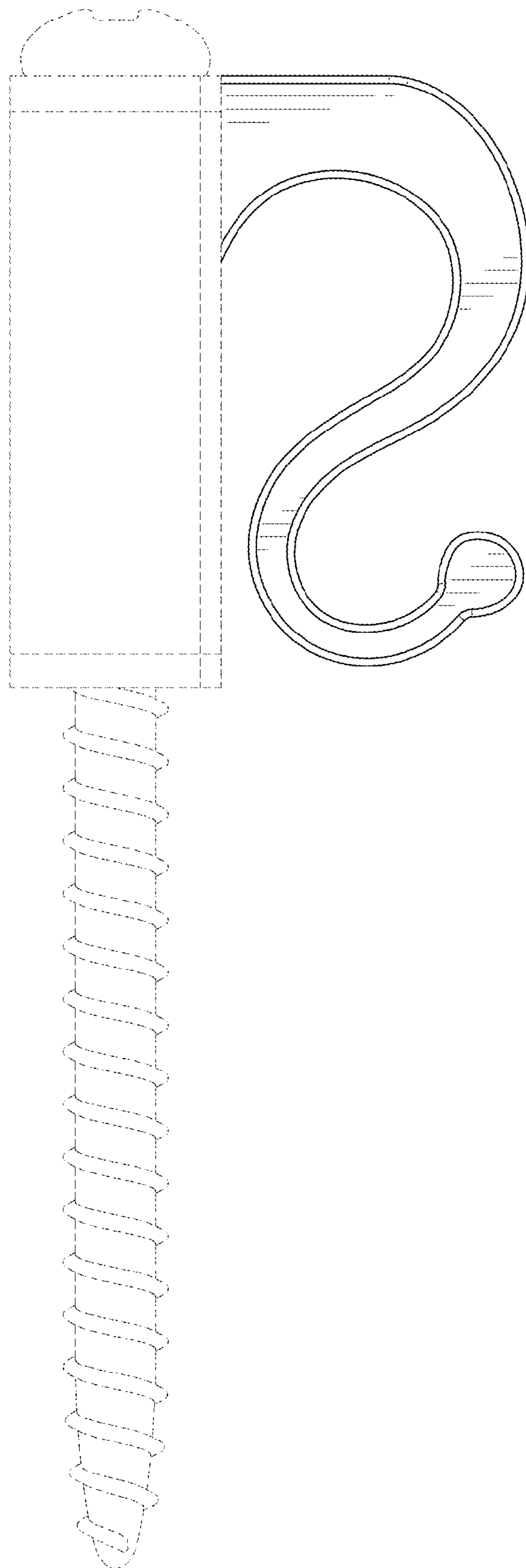


FIG. 5

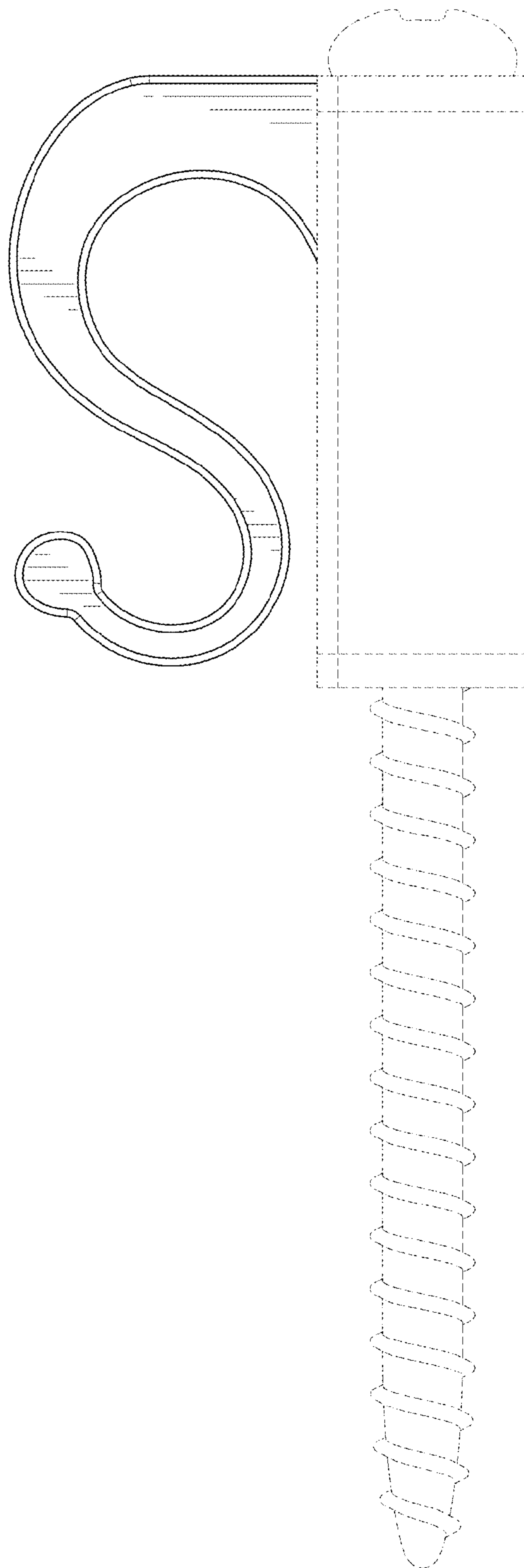


FIG. 6

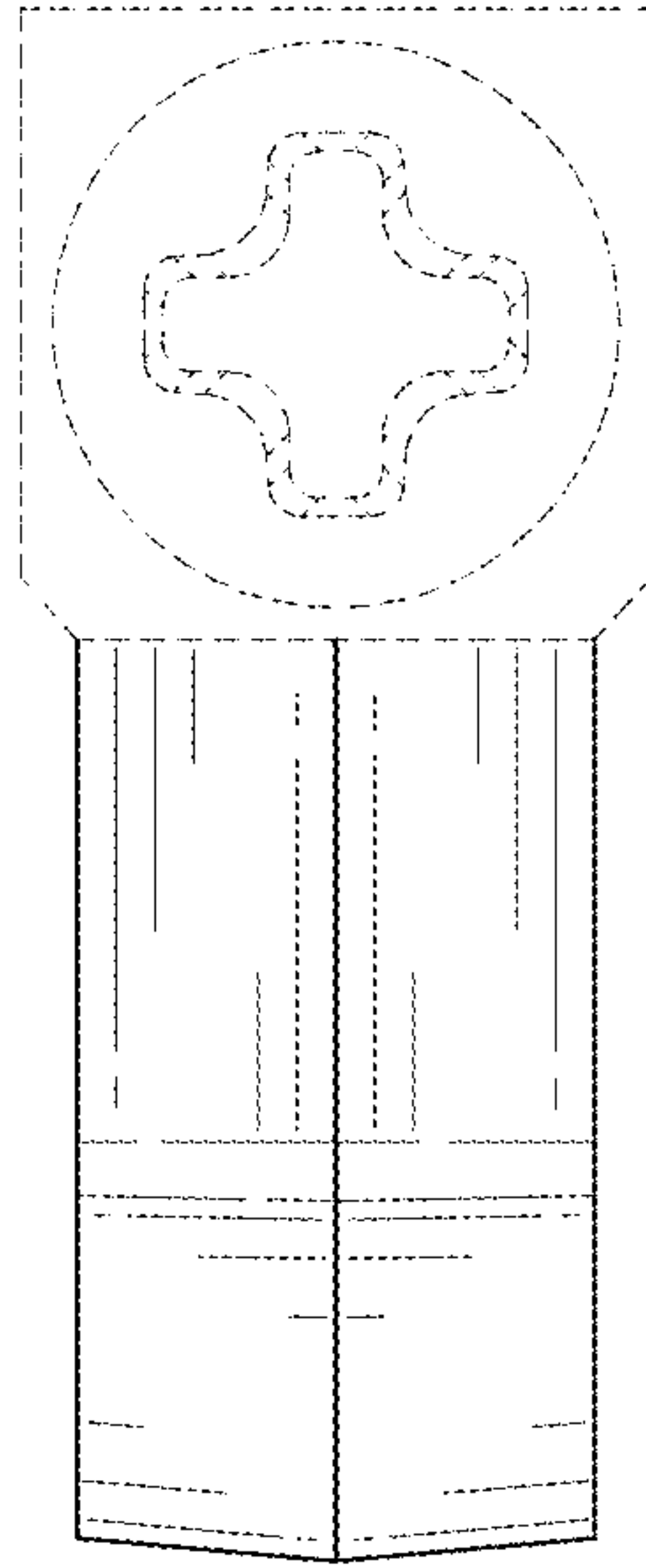


FIG. 7

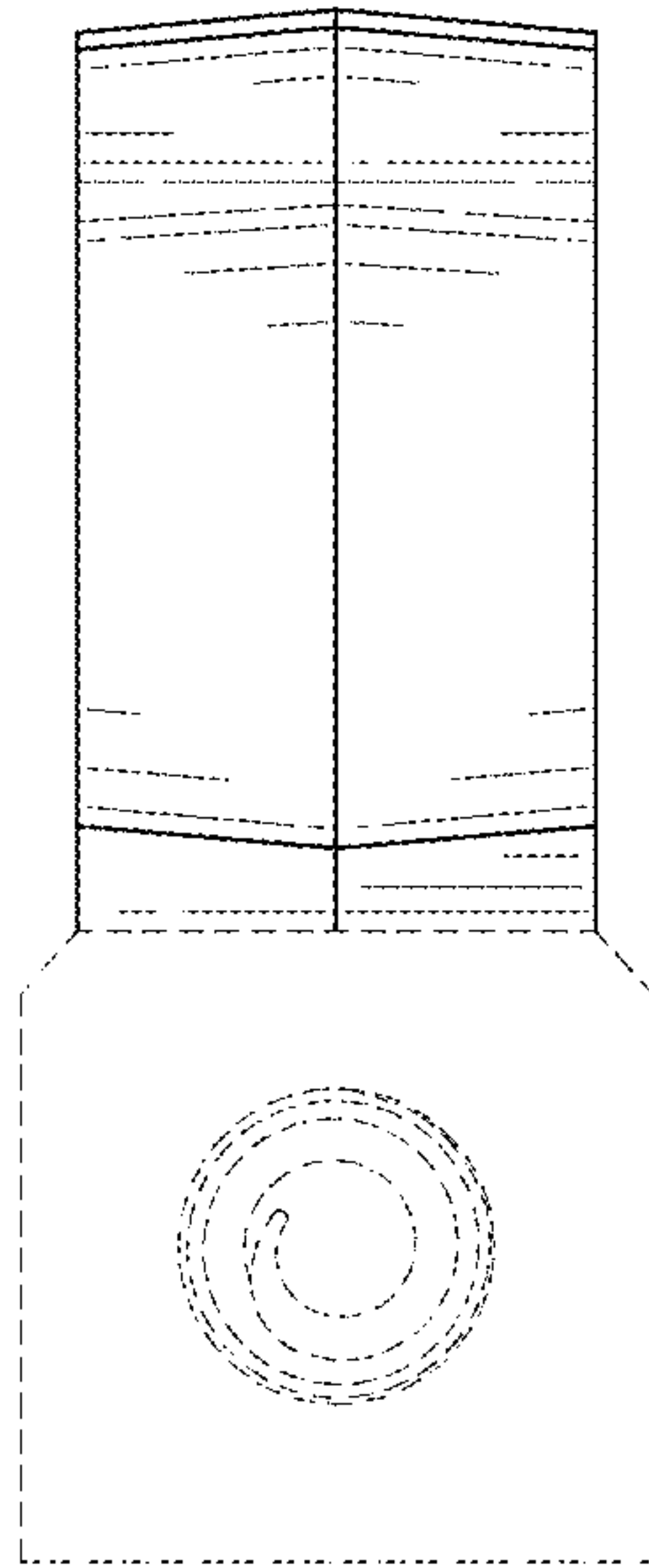


FIG. 8

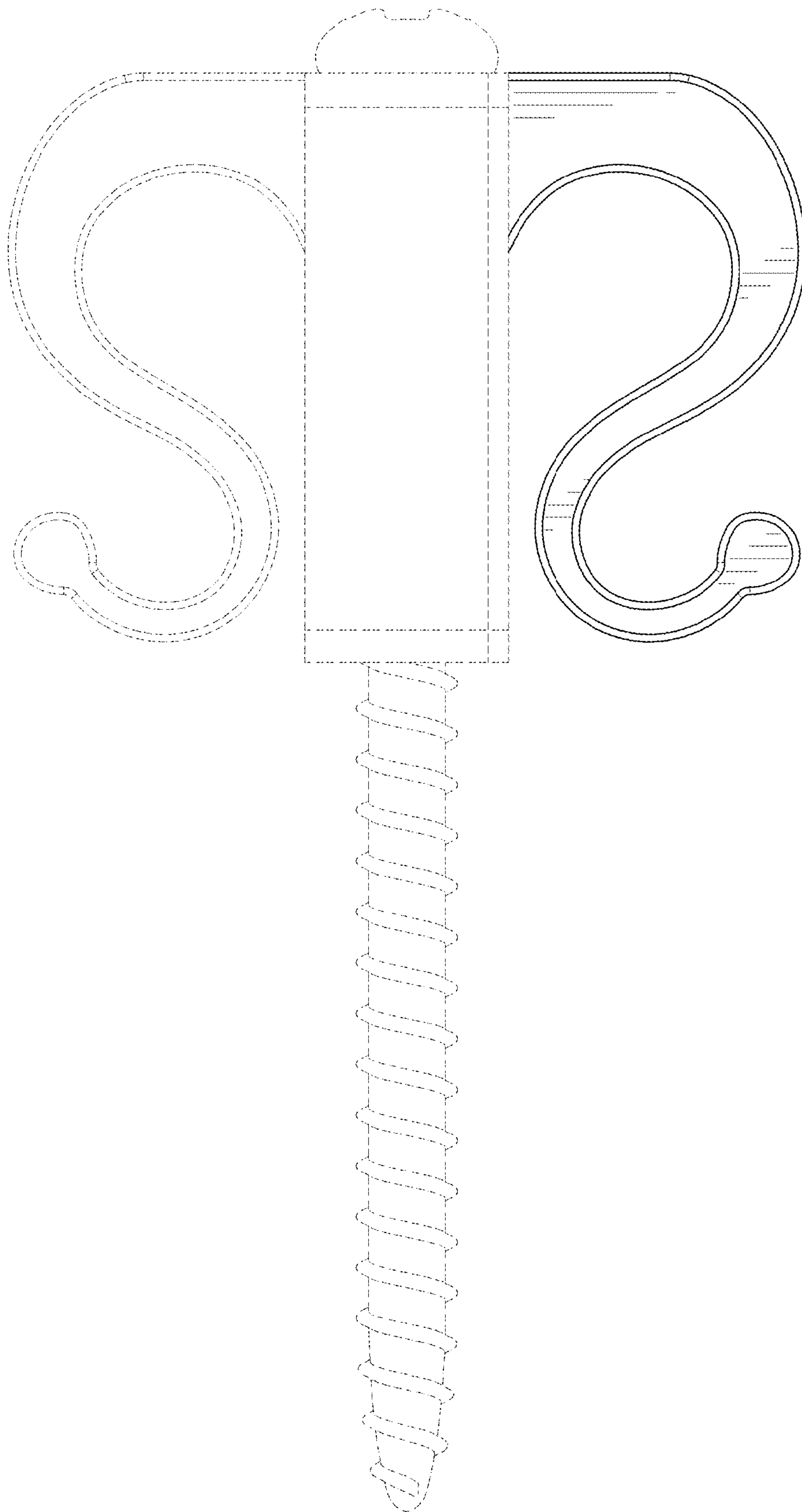


FIG. 9

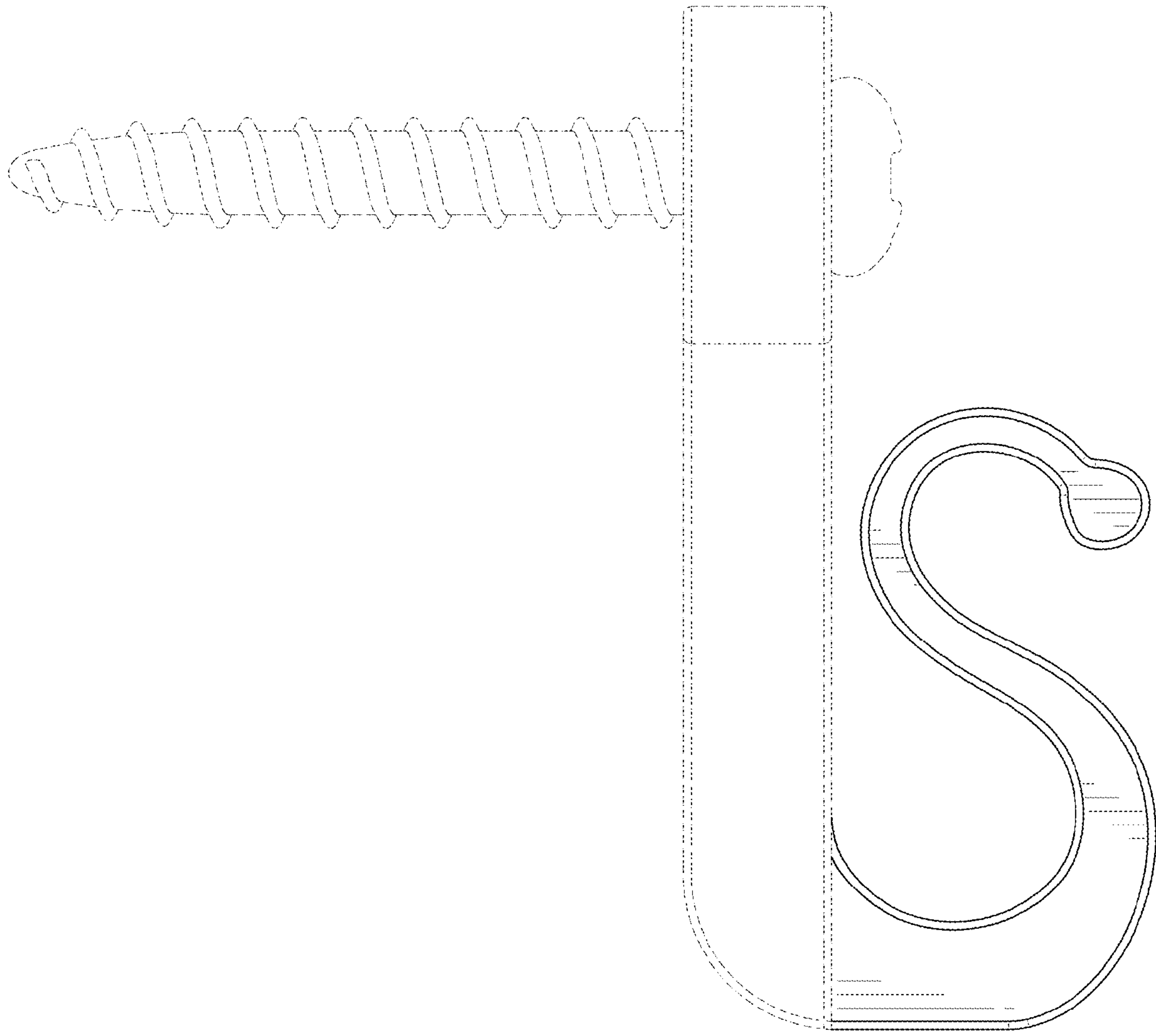


FIG. 10