



US00D931088S

(12) **United States Design Patent**
Shen

(10) **Patent No.:** **US D931,088 S**

(45) **Date of Patent:** **** Sep. 21, 2021**

(54) **STEEL BRACKET**

(71) Applicant: **Yongjian Shen**, Zhejiang (CN)

(72) Inventor: **Yongjian Shen**, Zhejiang (CN)

(**) Term: **15 Years**

(21) Appl. No.: **29/758,935**

(22) Filed: **Nov. 19, 2020**

(51) **LOC (13) Cl.** **08-05**

(52) **U.S. Cl.**
USPC **D8/366**

(58) **Field of Classification Search**
USPC D8/374, 363, 366, 373, 376, 380, 381,
D8/371; D24/143, 233, 214; D9/729;
D6/524, 580
CPC ... F16M 13/02; Y10S 248/906; A47B 96/061;
A47G 1/1646
See application file for complete search history.

(56) **References Cited**

U.S. PATENT DOCUMENTS

D214,383 S * 6/1969 Johnson D8/371
D248,644 S * 7/1978 Berg, Jr. 174/158 F

D649,863 S 12/2011 Meyer
D725,999 S * 4/2015 Wu D8/373
D730,163 S * 5/2015 Wu D8/376
D737,124 S 8/2015 Sasanecki
D833,262 S * 11/2018 Royak D8/373
D893,287 S * 8/2020 Wendling D8/371
D909,853 S * 2/2021 Jasmin D8/354

* cited by examiner

Primary Examiner — Eliza Z Bennett-Hattan

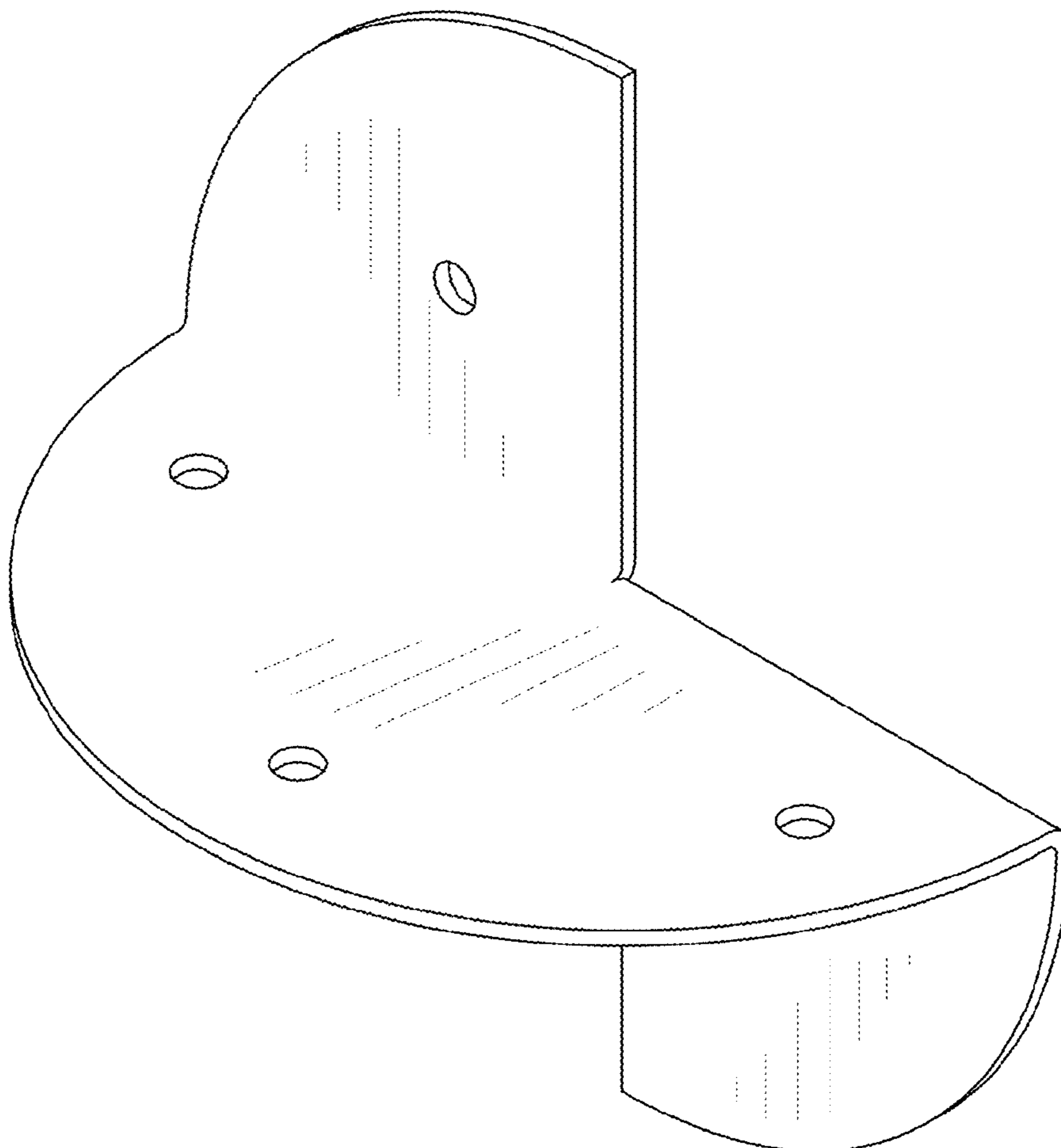
(57) **CLAIM**

The ornamental design for a steel bracket, as shown and described.

DESCRIPTION

FIG. 1 is a perspective view of a steel bracket showing my new design;
FIG. 2 is a front view thereof;
FIG. 3 is a back view thereof;
FIG. 4 is a left side thereof;
FIG. 5 is a right side thereof.
FIG. 6 is a top view thereof; and,
FIG. 7 is a bottom view thereof.

1 Claim, 7 Drawing Sheets



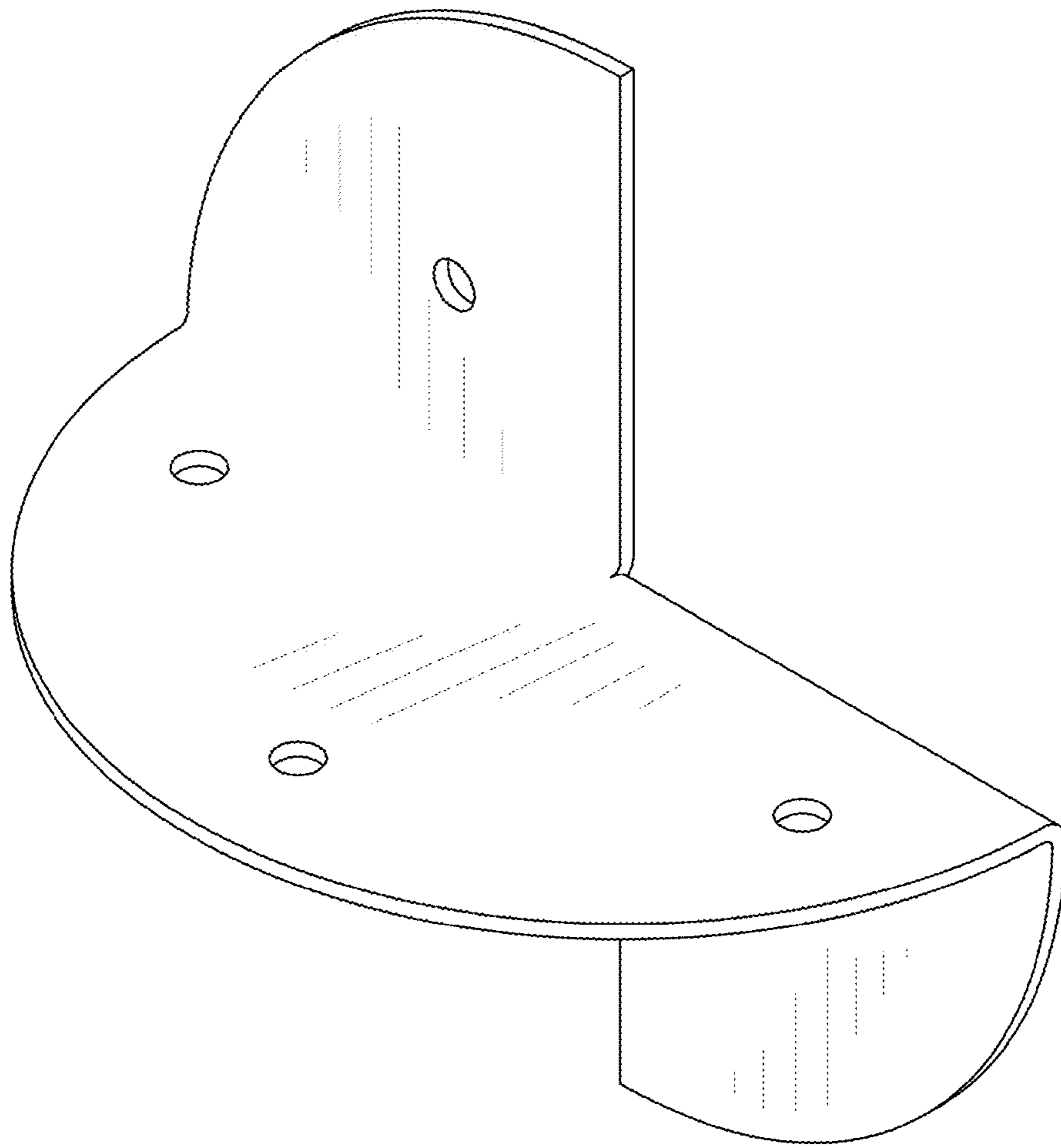


FIG.1

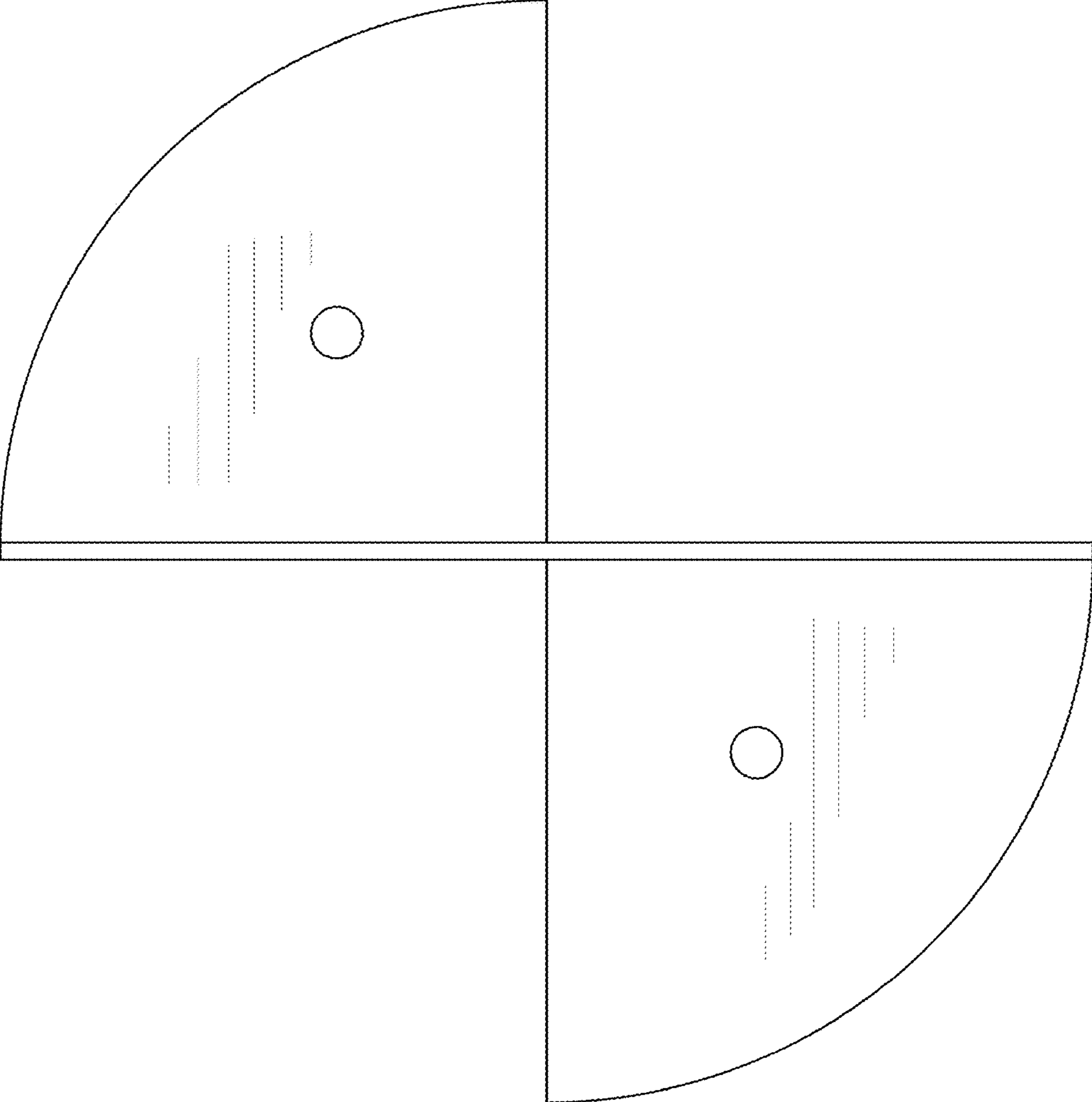


FIG.2

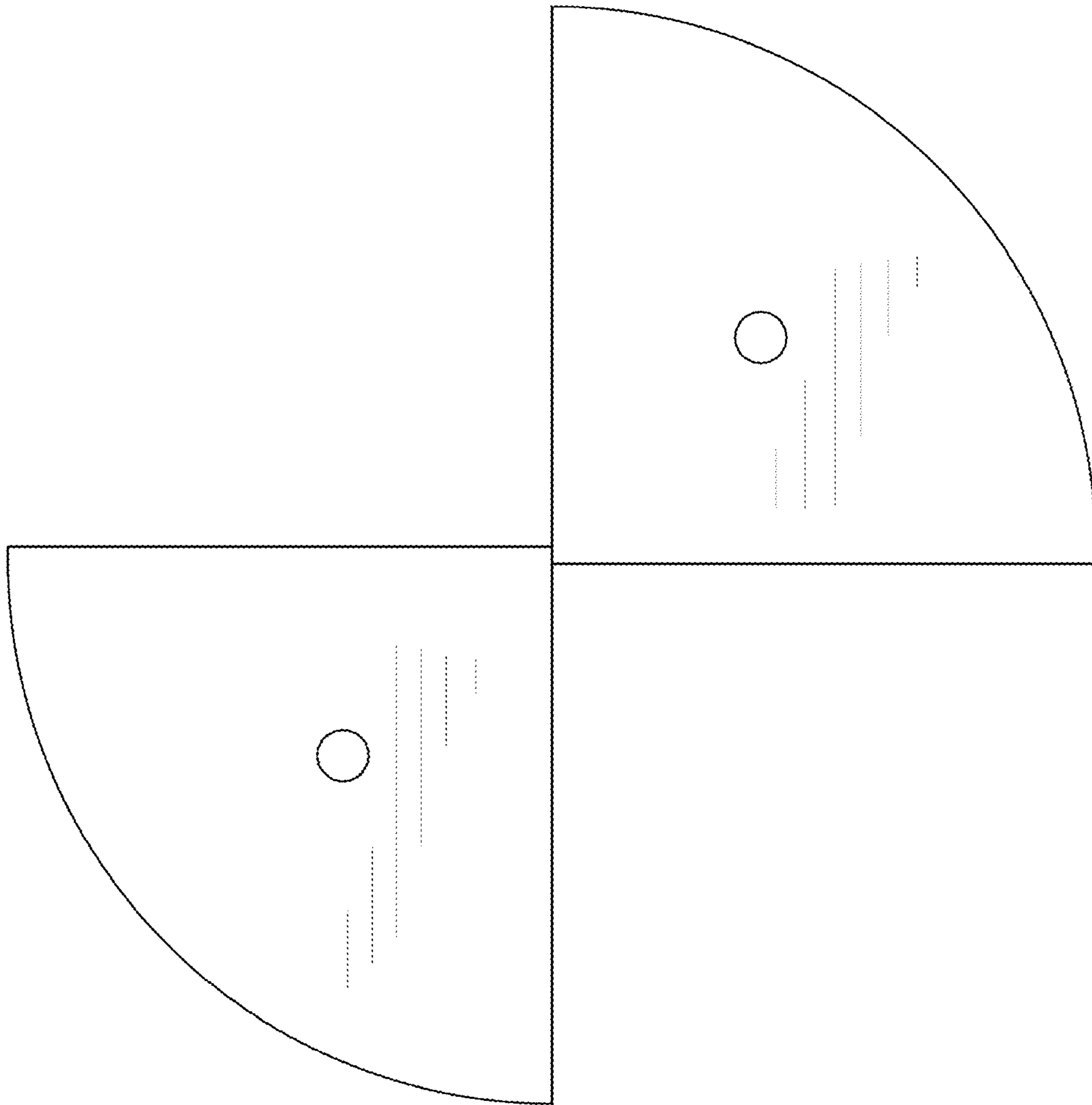


FIG.3

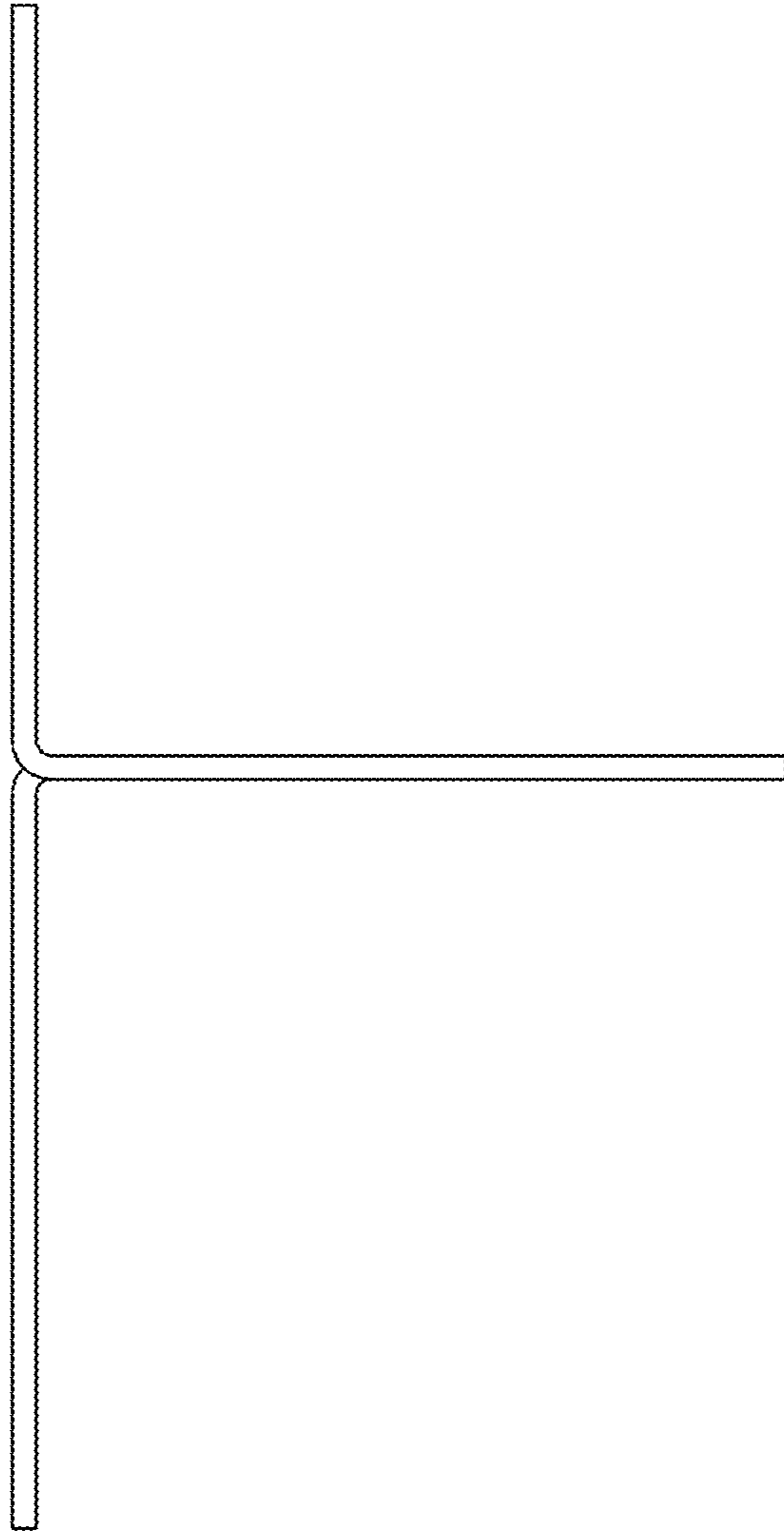


FIG. 4

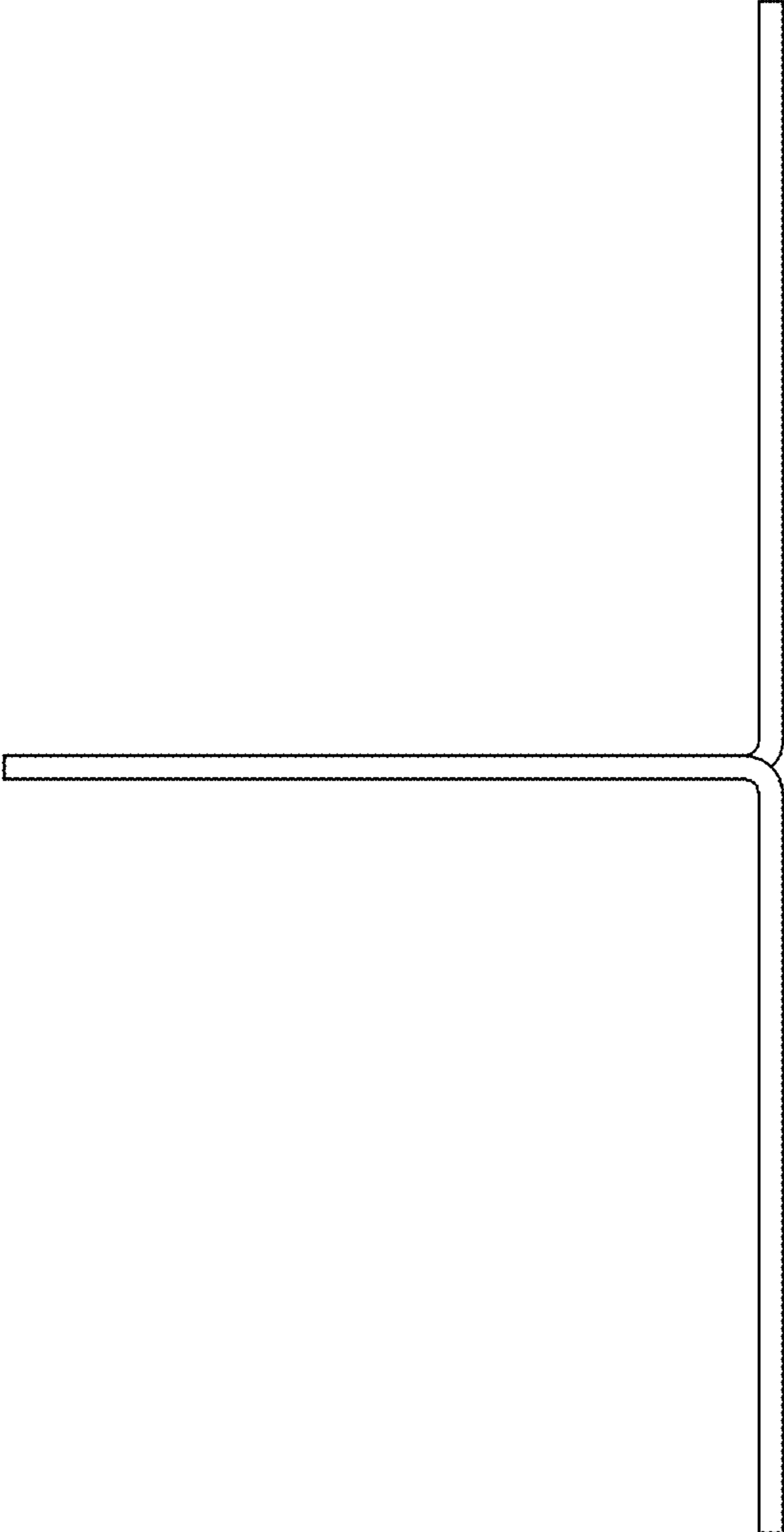


FIG.5

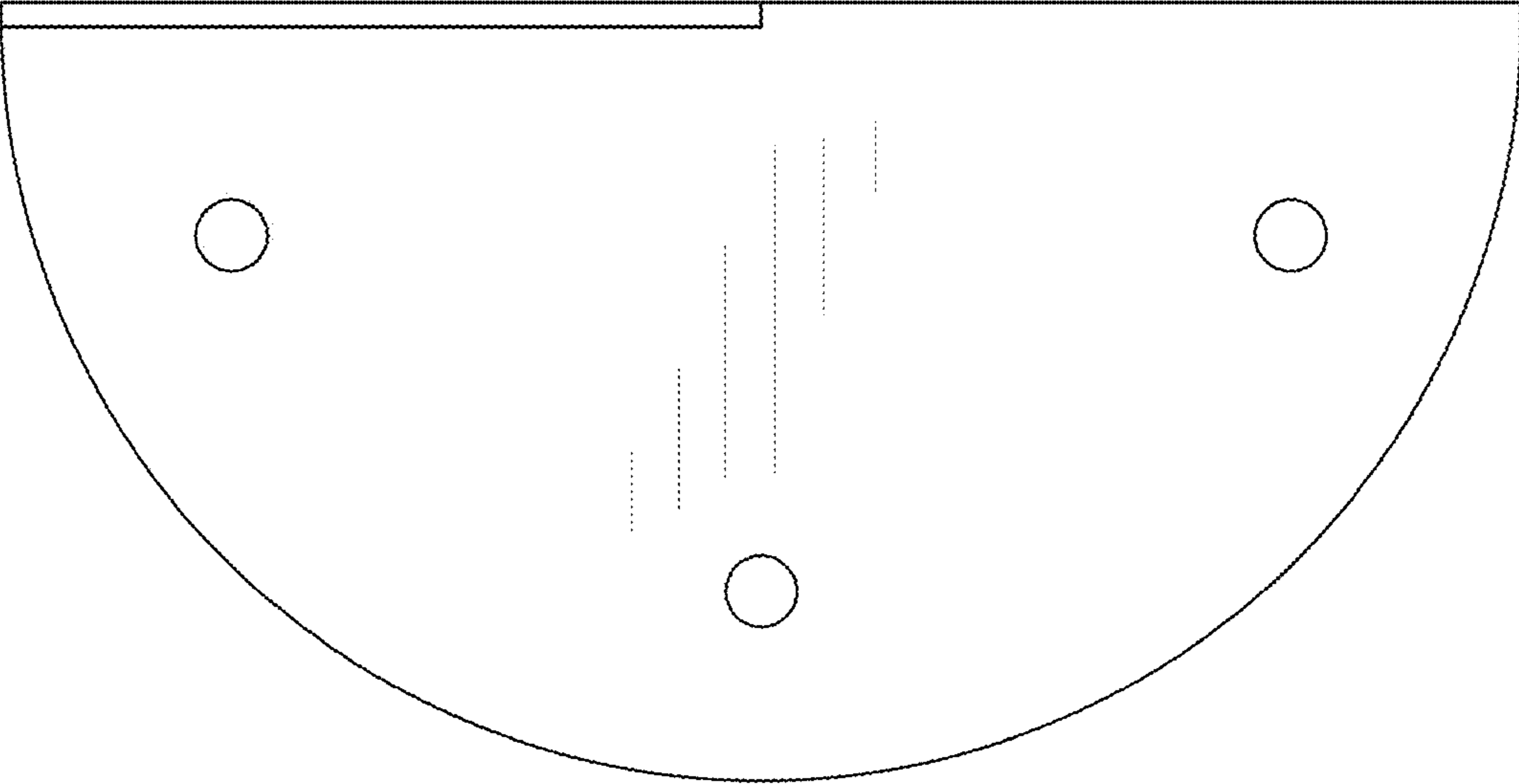


FIG.6

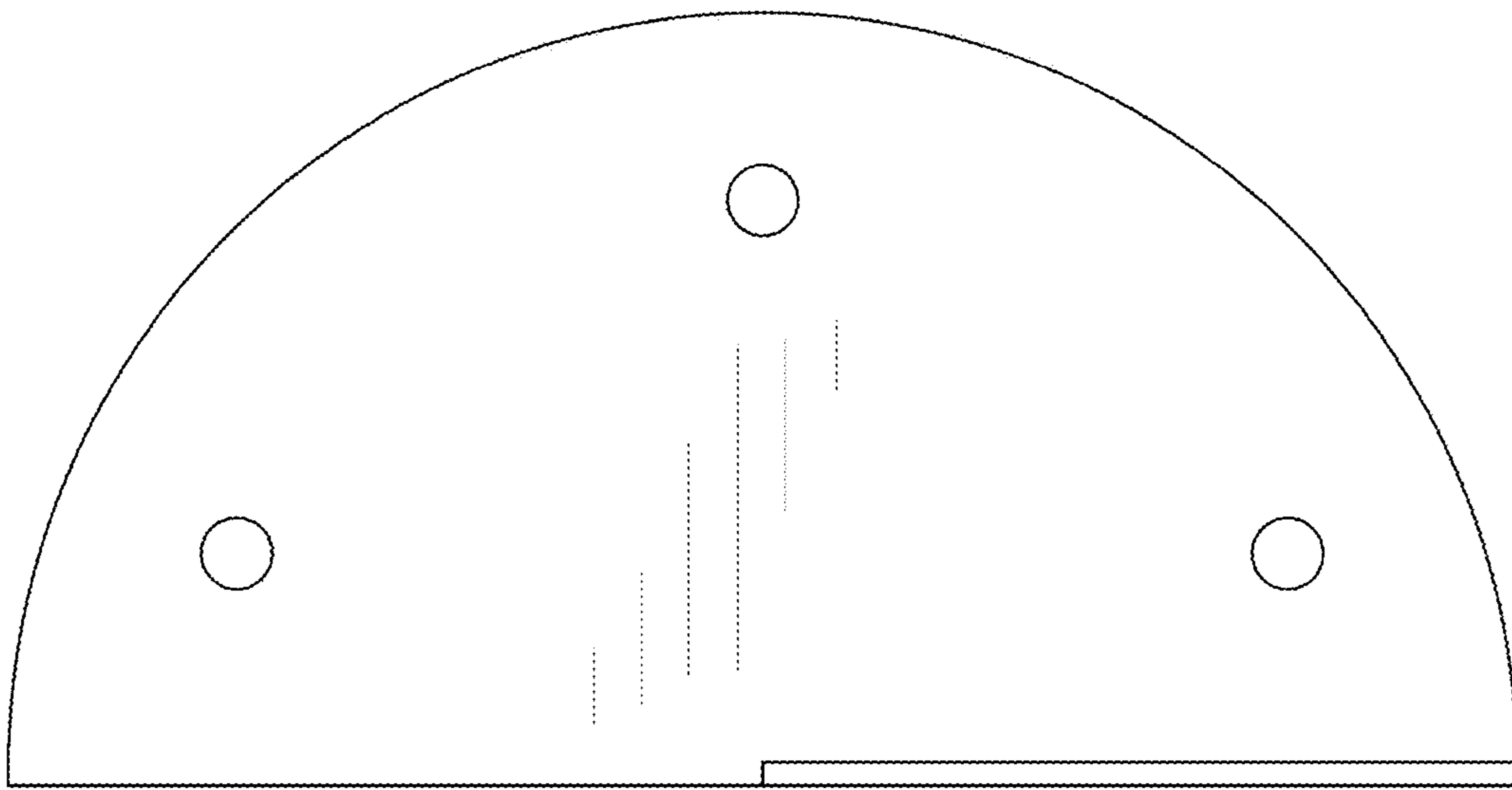


FIG. 7