



US00D931087S

(12) **United States Design Patent** (10) **Patent No.:** **US D931,087 S**
Yu (45) **Date of Patent:** **** Sep. 21, 2021**

(54) **SHOWER CURTAIN ROD HOLDER**

OTHER PUBLICATIONS

(71) Applicant: **Shenzhen hongshengwei Technology Co., Ltd.**, Shenzhen (CN)

Briofox posted by Briofox on Amazon.com found on Jul. 14, 2021 posted on Jan. 18, 2021 at https://www.amazon.com/BRIOFOX-Extra-Large-Adhesive-Invisible-Transparent/dp/B08T93YNQ2/ref=sr_1_1_sspa?dchild=1&keywords=adhesive+shower+curtain+rod+holder&qid=1626293904&sr=8-1-spons&psc=1&spLa=ZW5jcnlwdGVkUXVhbGlmaWVyPUEyMIFZRIR.*

(72) Inventor: **Bingfeng Yu**, Shenzhen (CN)

Canray poste by Canray on Amazon.com found on Jul. 14, 2021 posted on Dec. 7, 2020 at https://www.amazon.com/dp/B08PV8Q77N/ref=sspa_dk_detail_0?pd_rd_i=B08PV8Q77Np13NParams&smid=AW28DUTT5PAID&spLa=ZW5jcnlwdGVkUXVhbGlmaWVyPU EzSE4wNEQ0QkIDVTIwJmVuY3J5cHRIZEikPUEwNzc2NDI0MkszSDdZSgz5TDFkTyZlbnNyeXB0ZWZWRBZEikPUEwNzY4NjE2MVM.*

(73) Assignee: **Shenzhen hongshengwei Technology Co., Ltd.**, Shenzhen (CN)

(**) Term: **15 Years**

(21) Appl. No.: **29/774,889**

* cited by examiner

(22) Filed: **Mar. 19, 2021**

Primary Examiner — Eliza Z Bennett-Hattan

(30) **Foreign Application Priority Data**

(74) *Attorney, Agent, or Firm* — ScienBiziP, P.C.

Mar. 17, 2021 (CN) 202130144693.2

(51) **LOC (13) Cl.** **08-05**

(57) **CLAIM**

(52) **U.S. Cl.**
USPC **D8/363**

The ornamental design for a shower curtain rod holder, as shown and described.

(58) **Field of Classification Search**
USPC D8/363, 366, 373, 376, 380, 381, 374
CPC A47H 1/142
See application file for complete search history.

DESCRIPTION

(56) **References Cited**

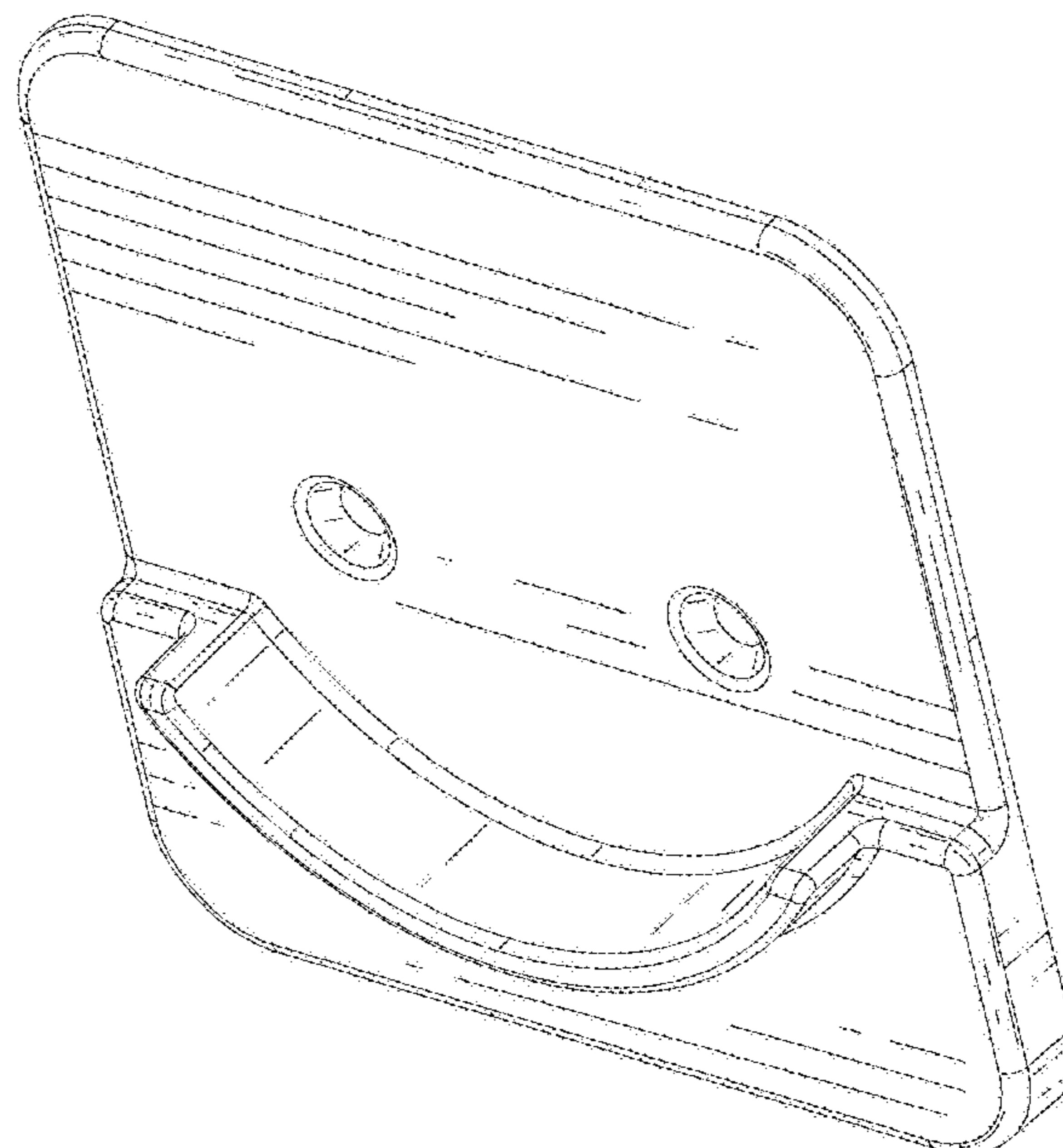
FIG. 1 is a front, right, and top perspective view of a shower curtain rod holder, showing my design.
FIG. 2 is a rear, right, and bottom perspective view thereof.
FIG. 3 is a front elevation view thereof.
FIG. 4 is a rear elevation view thereof.
FIG. 5 is a left side elevation view thereof.
FIG. 6 is a right side elevation view thereof.
FIG. 7 is a top plan view thereof; and,
FIG. 8 is a bottom plan view thereof.

U.S. PATENT DOCUMENTS

| | | | | |
|--------------|---------|-------------|-------|--------|
| D319,573 S * | 9/1991 | Rogers | | D8/380 |
| D326,603 S * | 6/1992 | Rogers | | D6/323 |
| D329,197 S * | 9/1992 | Tibbs | | D8/380 |
| D369,931 S | 5/1996 | Shames | | |
| D464,252 S | 10/2002 | Jones | | |
| D619,879 S * | 7/2010 | McCarthy | | D8/354 |
| D747,225 S * | 1/2016 | Decook | | D10/60 |
| D783,386 S * | 4/2017 | Collins, IV | | D8/354 |
| D872,567 S * | 1/2020 | Bond | | D8/373 |

The broken lines shown in the drawings are included for the purpose of illustrating portions of the shower curtain rod holder that form no part of the claimed design.

1 Claim, 8 Drawing Sheets



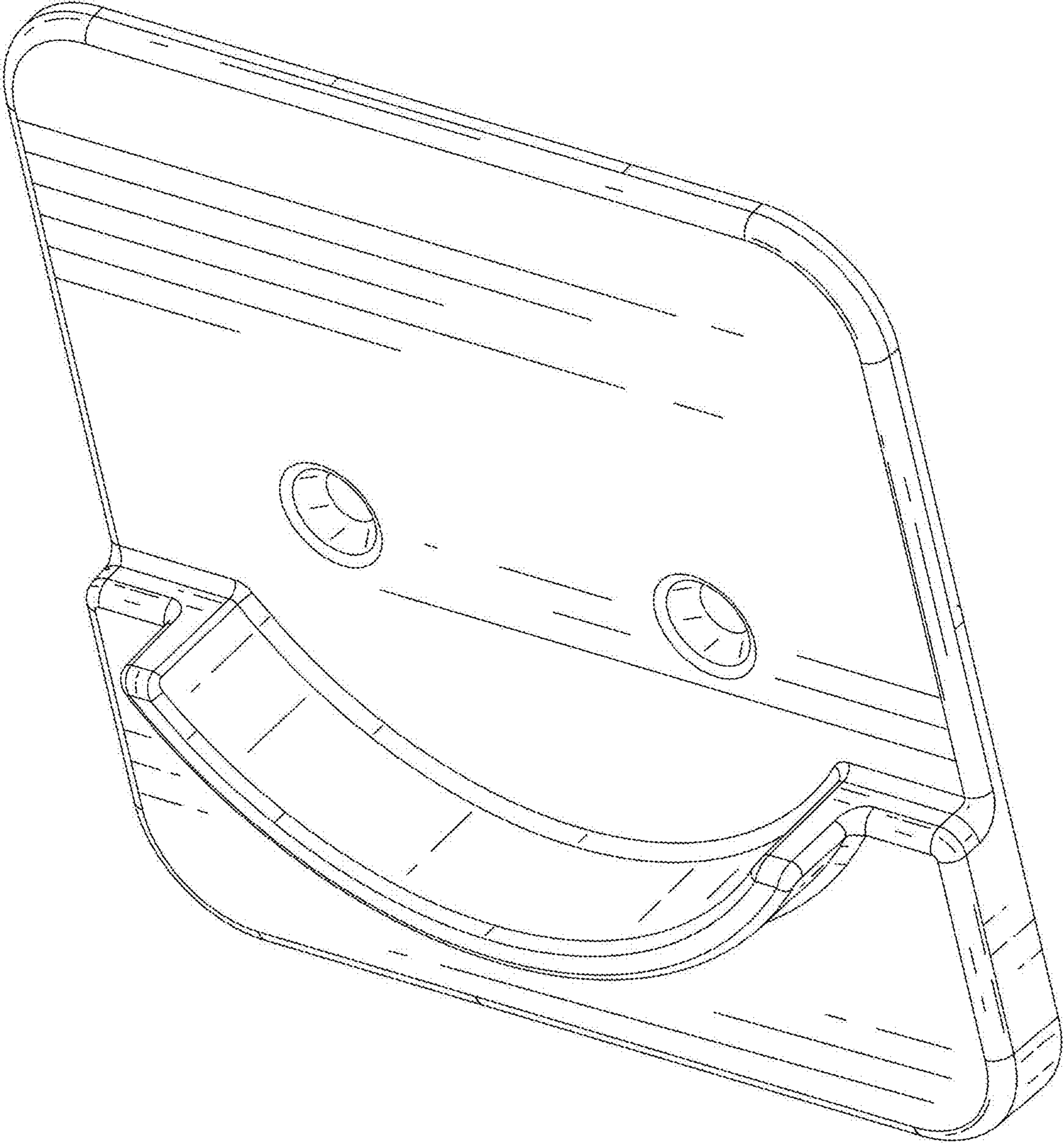


FIG. 1

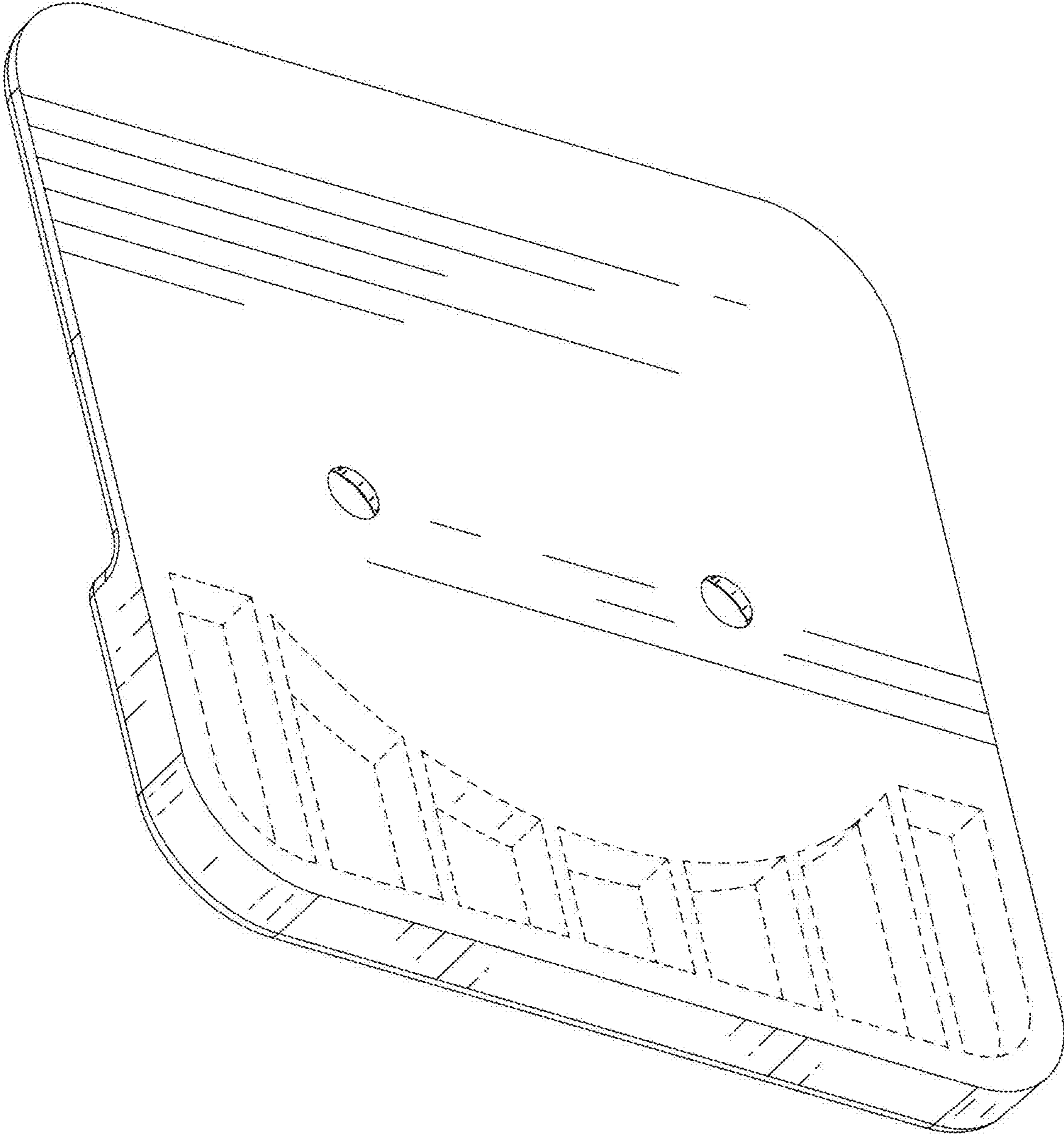


FIG.2

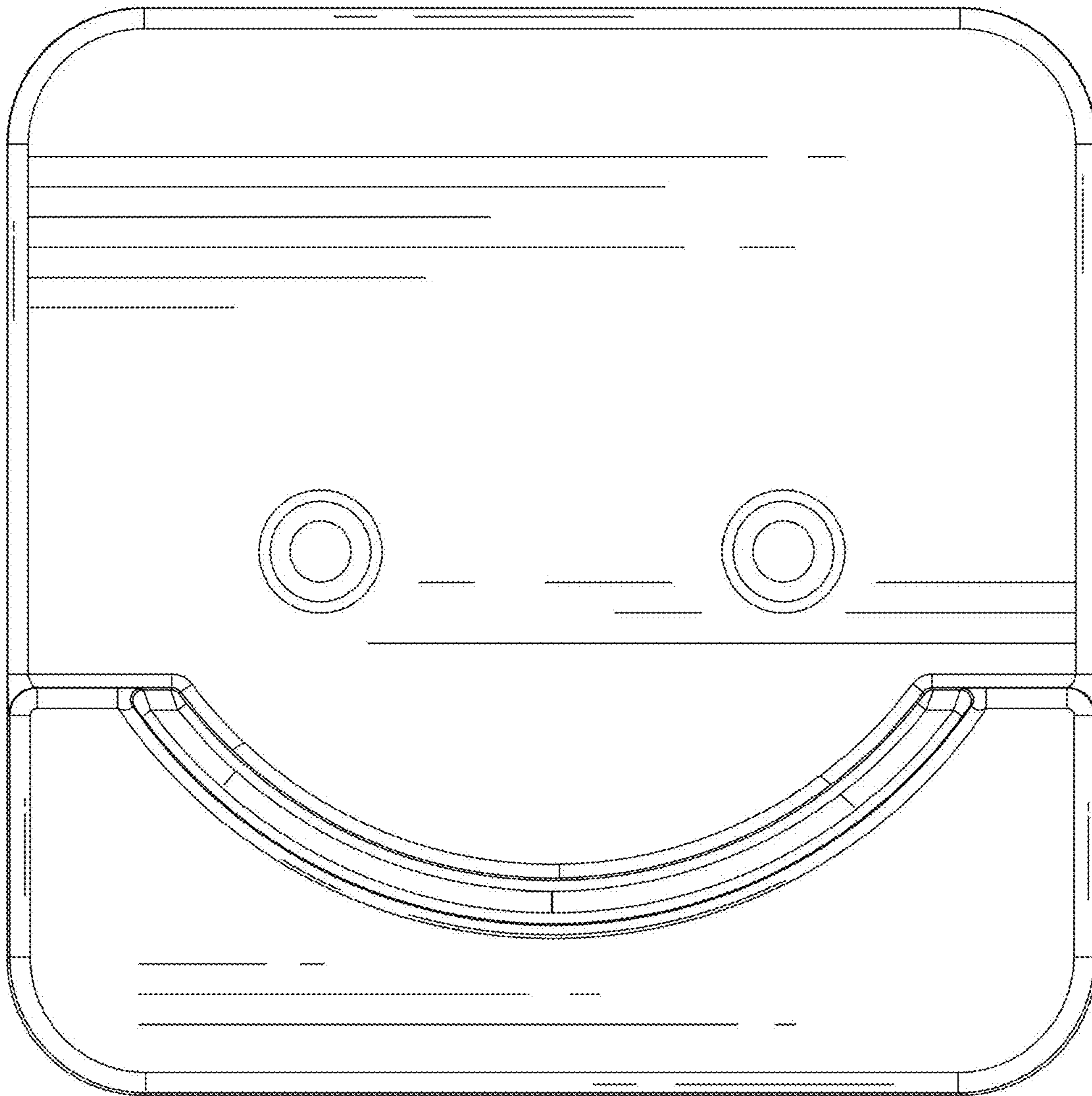


FIG.3

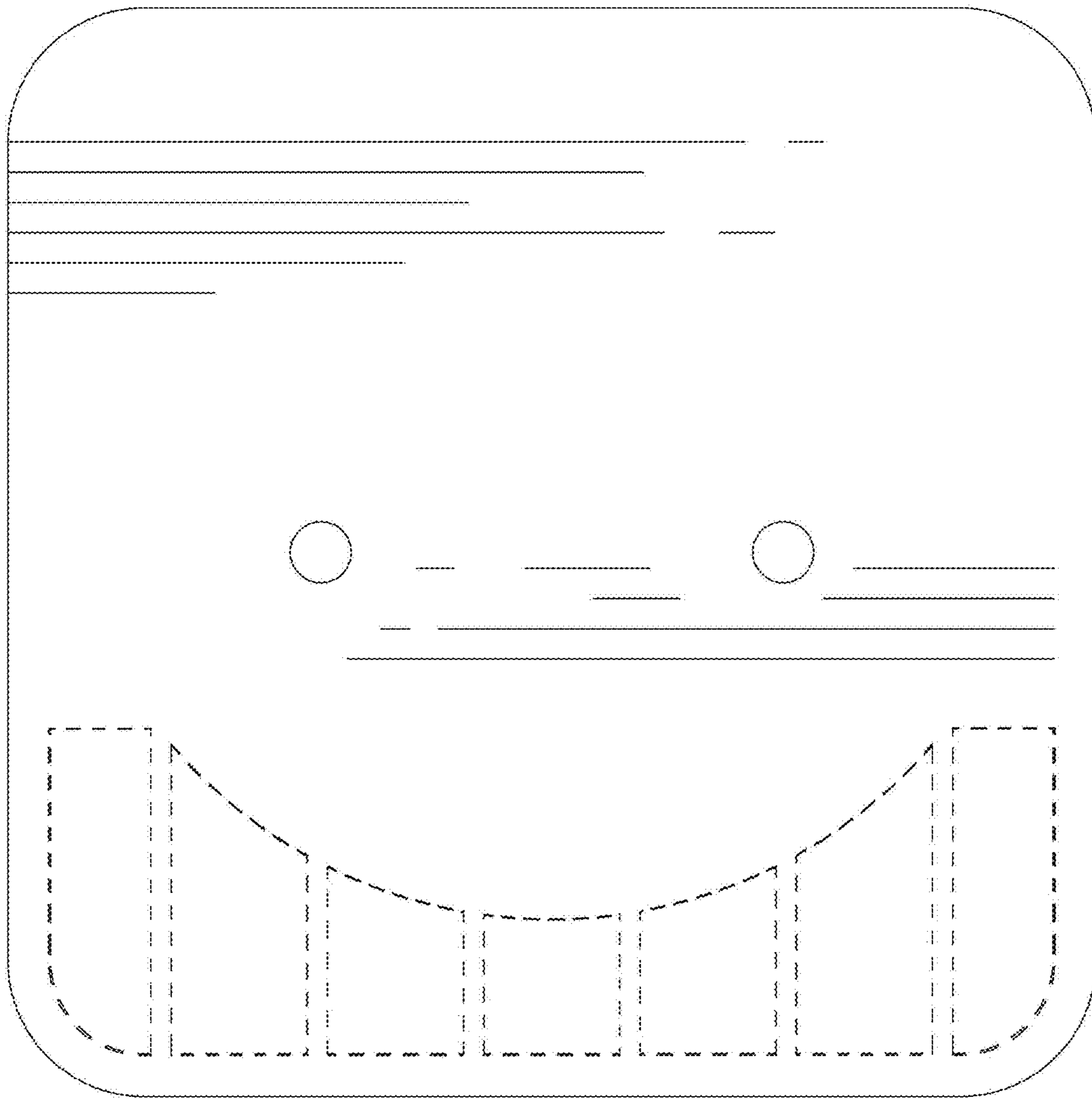


FIG. 4

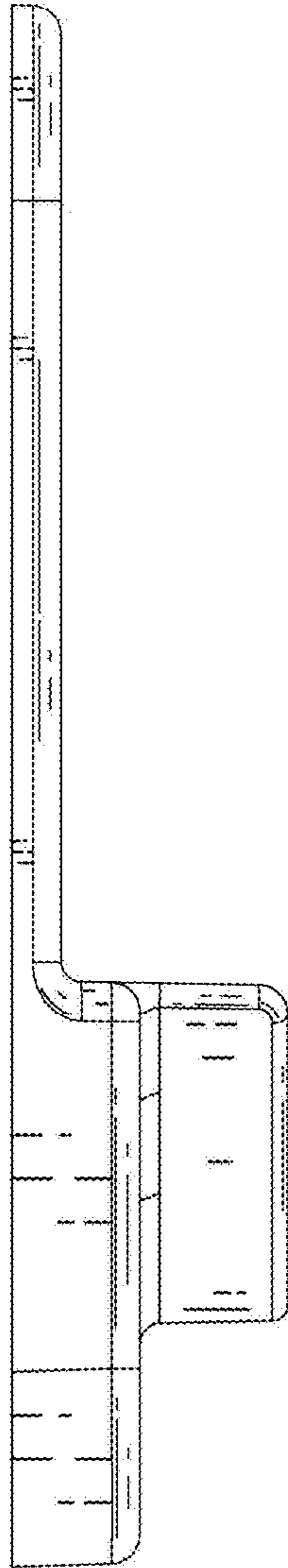


FIG. 5



FIG. 6

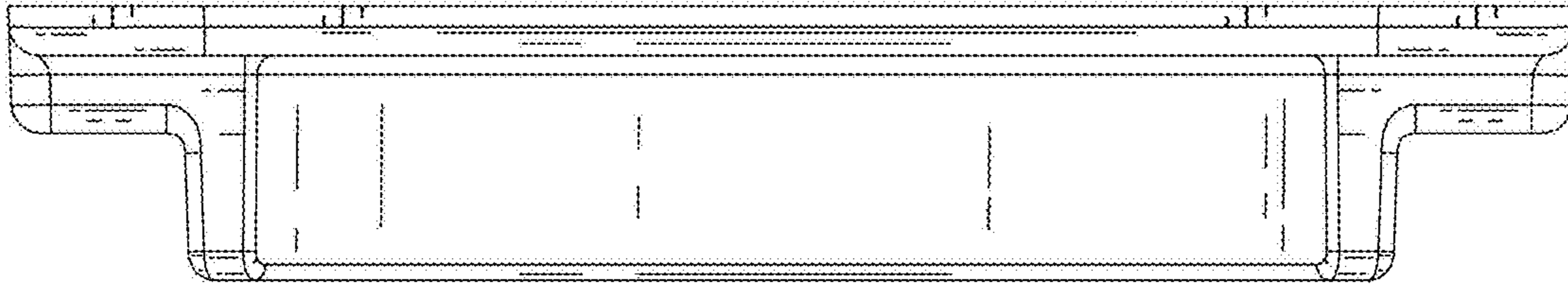


FIG. 7

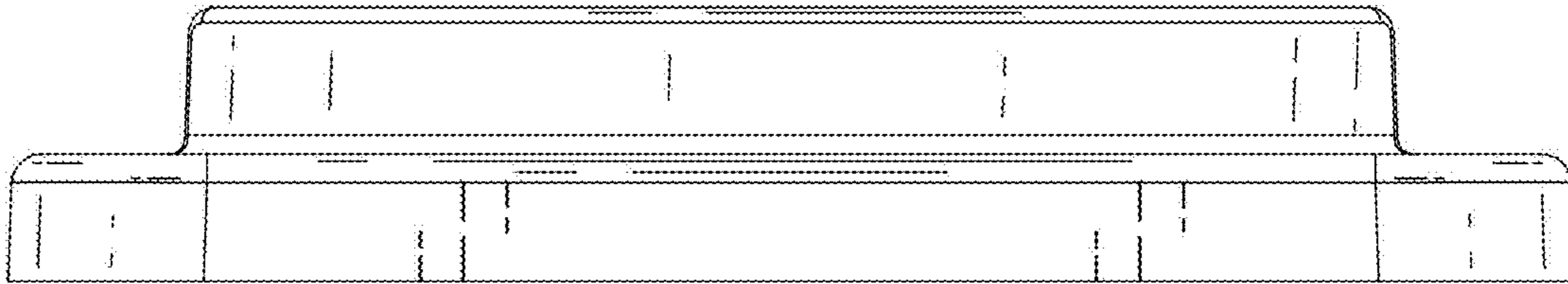


FIG. 8