



US00D931085S

(12) **United States Design Patent**
Paik et al.

(10) **Patent No.:** **US D931,085 S**

(45) **Date of Patent:** **** Sep. 21, 2021**

(54) **LOCKING DEVICE FOR BAG ACCESSORIES**

(71) Applicant: **WOJIN PLASTIC Co., Ltd.**,
Namyangju-si (KR)

(72) Inventors: **Ji Sook Paik**, Seoul (KR); **Ji Hye Paik**, Seoul (KR); **Ji Won Son**, Seoul (KR); **Nan Hee Paik**, Seoul (KR)

(73) Assignee: **WOJIN PLASTIC CO., LTD.**,
Namyangju-si (KR)

(**) Term: **15 Years**

(21) Appl. No.: **29/713,852**

(22) Filed: **Nov. 19, 2019**

(30) **Foreign Application Priority Data**

Jun. 13, 2019 (KR) 30-2019-0028118

(51) **LOC (13) Cl.** **09-06**

(52) **U.S. Cl.**
USPC **D8/356**

(58) **Field of Classification Search**
USPC D8/356, 354, 105, 349, 367; D3/207;
24/376
CPC B65H 57/16; B63B 21/045; A63B 29/08;
A63B 27/02
See application file for complete search history.

(56) **References Cited**

U.S. PATENT DOCUMENTS

582,780 A * 5/1897 Eldridge F16B 45/02
24/582.11
D46,019 S * 6/1914 Cantrell D3/207
D234,246 S * 2/1975 Martini D8/395
5,575,446 A * 11/1996 Swenson A47G 33/10
248/304
D387,652 S * 12/1997 Carlson, Jr. D8/356

D494,055 S * 8/2004 Jones D8/395
D577,574 S * 9/2008 Liang D8/356
D584,132 S * 1/2009 Judd D8/356
D607,712 S * 1/2010 Kelleghan D8/356
D612,710 S * 3/2010 Kelleghan D8/356
D626,393 S * 11/2010 Ormsbee D8/34
D637,473 S * 5/2011 Mitchell D8/336
D646,556 S * 10/2011 Kelleghan D8/356
D669,764 S * 10/2012 Kelleghan D8/356
D698,625 S * 2/2014 Liang D8/356
D698,626 S * 2/2014 Ormsbee D8/356
D702,106 S * 4/2014 Weinberg D8/356
D725,373 S * 3/2015 Jiang D3/207

(Continued)

Primary Examiner — Cynthia R Underwood

(74) *Attorney, Agent, or Firm* — Paratus Law Group,
PLLC

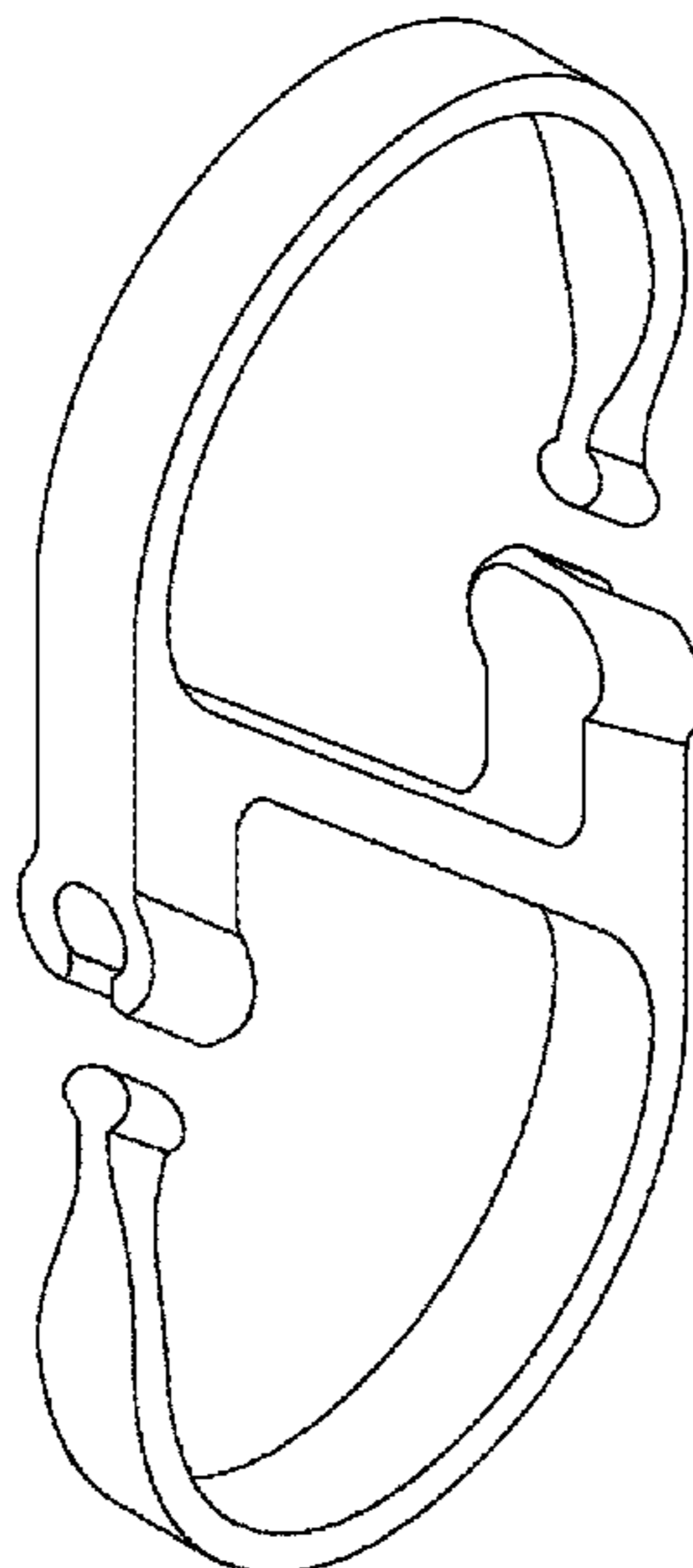
(57) **CLAIM**

The ornamental design for a locking device for bag accessories, as shown and described.

DESCRIPTION

FIG. 1 is a front, top, and left perspective view of a locking device for bag accessories, showing claimed design;
FIG. 2 is a front view thereof;
FIG. 3 is a back view thereof;
FIG. 4 is a left side view thereof;
FIG. 5 is a right side view thereof;
FIG. 6 is a top view thereof;
FIG. 7 is a bottom view thereof;
FIG. 8 is a perspective view thereof, shown in a locked state of use;
FIG. 9 is a cross-sectional view taken along line 9-9 shown in FIG. 2; and,
FIG. 10 is a reference view showing the locking device for bag accessories in use.
The broken lines shown in FIG. 10 depict environment and form no part of the claimed design.

1 Claim, 9 Drawing Sheets



(56)

References Cited

U.S. PATENT DOCUMENTS

D729,513	S *	5/2015	Jiang	D3/207
9,255,602	B2 *	2/2016	Liang	F16B 45/06
D762,460	S *	8/2016	Gobbi	D8/356
D765,493	S *	9/2016	Spater	D8/356
D766,071	S *	9/2016	Spater	D8/356
D767,975	S *	10/2016	Jiang	D8/356
9,521,939	B2 *	12/2016	Haarburger	A47L 13/16
D775,513	S *	1/2017	Kelleghan	D8/356
D784,798	S *	4/2017	Logsdon	D8/394
D785,316	S *	5/2017	Grossman	D3/208
D785,317	S *	5/2017	Grossman	D3/208
D789,190	S *	6/2017	Vermillion	D8/396
9,797,432	B2 *	10/2017	Inkavesvaanit	F16B 45/02
9,903,511	B2 *	2/2018	Vermillion	F16L 3/137
D811,838	S *	3/2018	Enrico	D8/34
D821,090	S *	6/2018	Case	D3/207
D821,854	S *	7/2018	Berman	D8/356
D854,916	S *	7/2019	Derr	D8/356
D858,088	S *	9/2019	Osmanski	D3/207
D861,327	S *	10/2019	Osmanski	D3/207
10,499,712	B2 *	12/2019	Cowdery	A44B 13/02
10,514,057	B2 *	12/2019	Cardella	E05B 17/0041
10,624,426	B2 *	4/2020	Adelman	F16B 2/22
2009/0000086	A1 *	1/2009	Bing	F16B 45/06
					24/592.11
2016/0153487	A1 *	6/2016	Hollinger	F16B 45/02
					24/376

* cited by examiner

FIG. 1

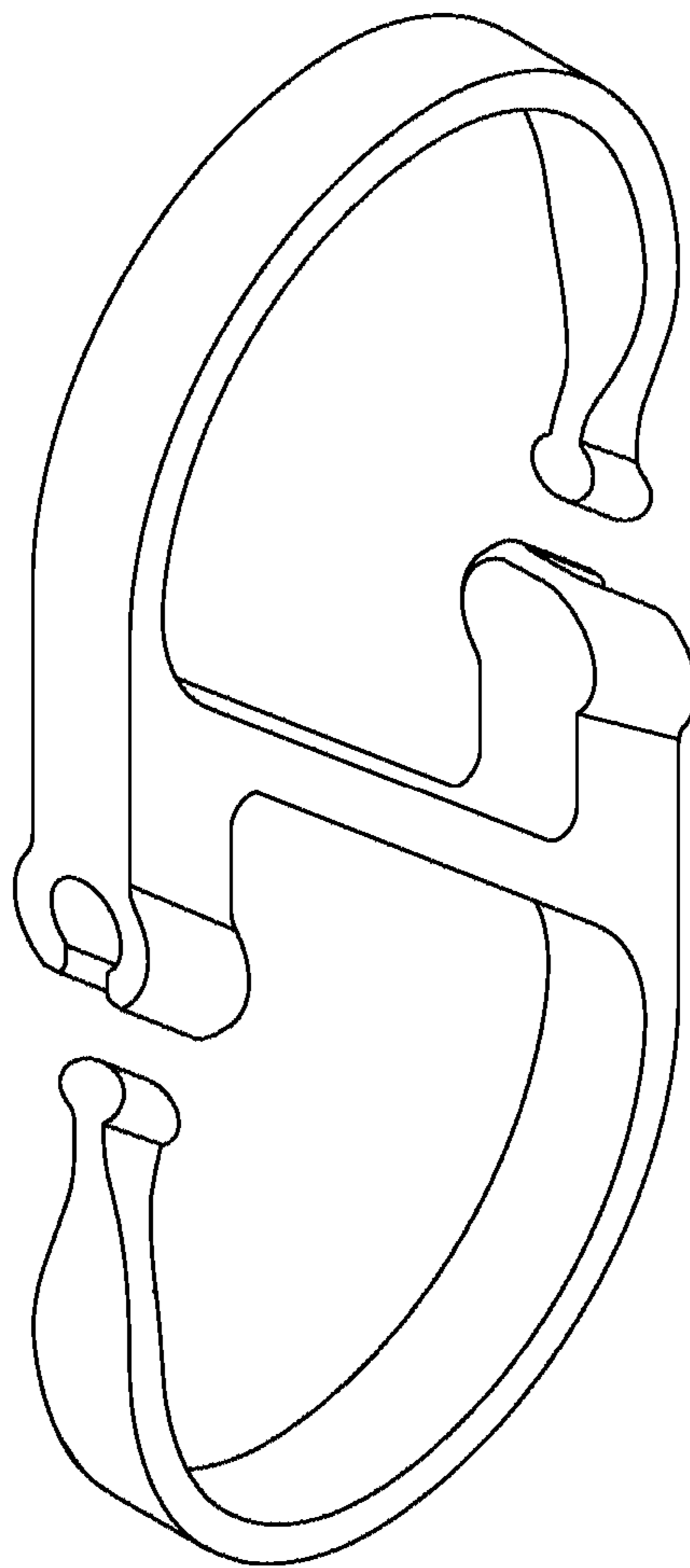


FIG. 2

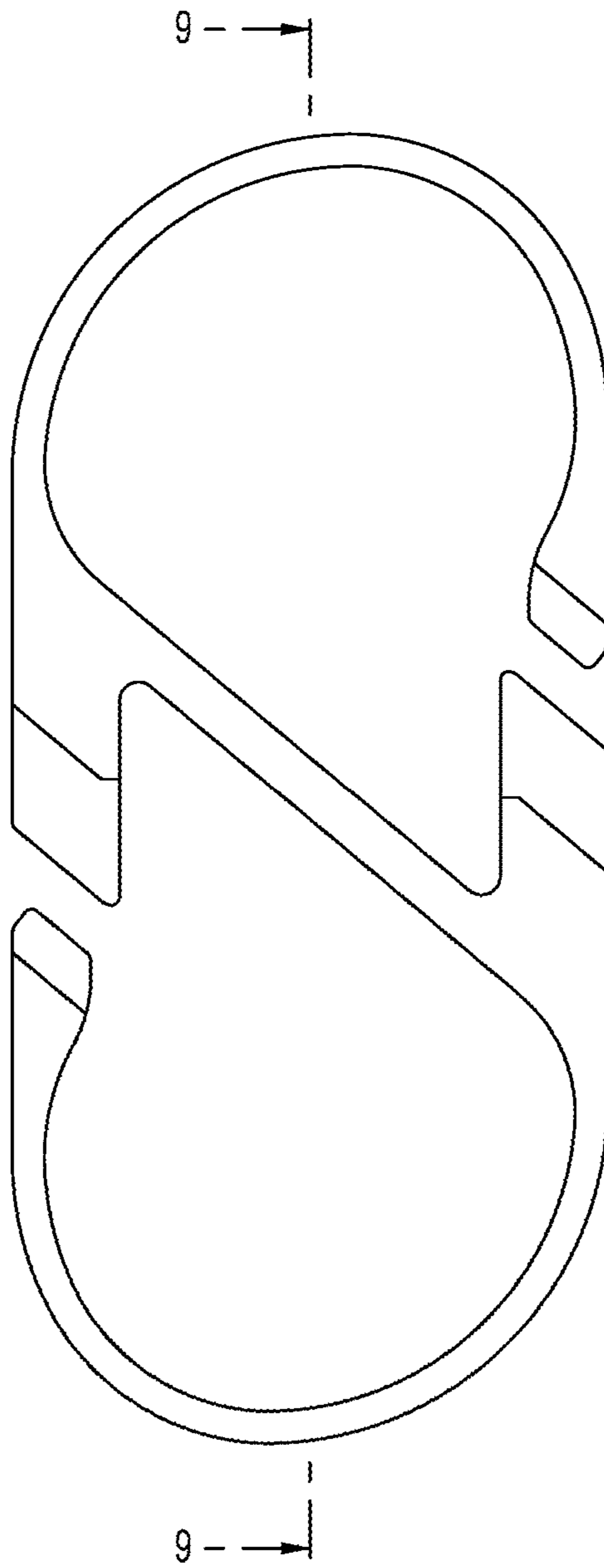


FIG. 3

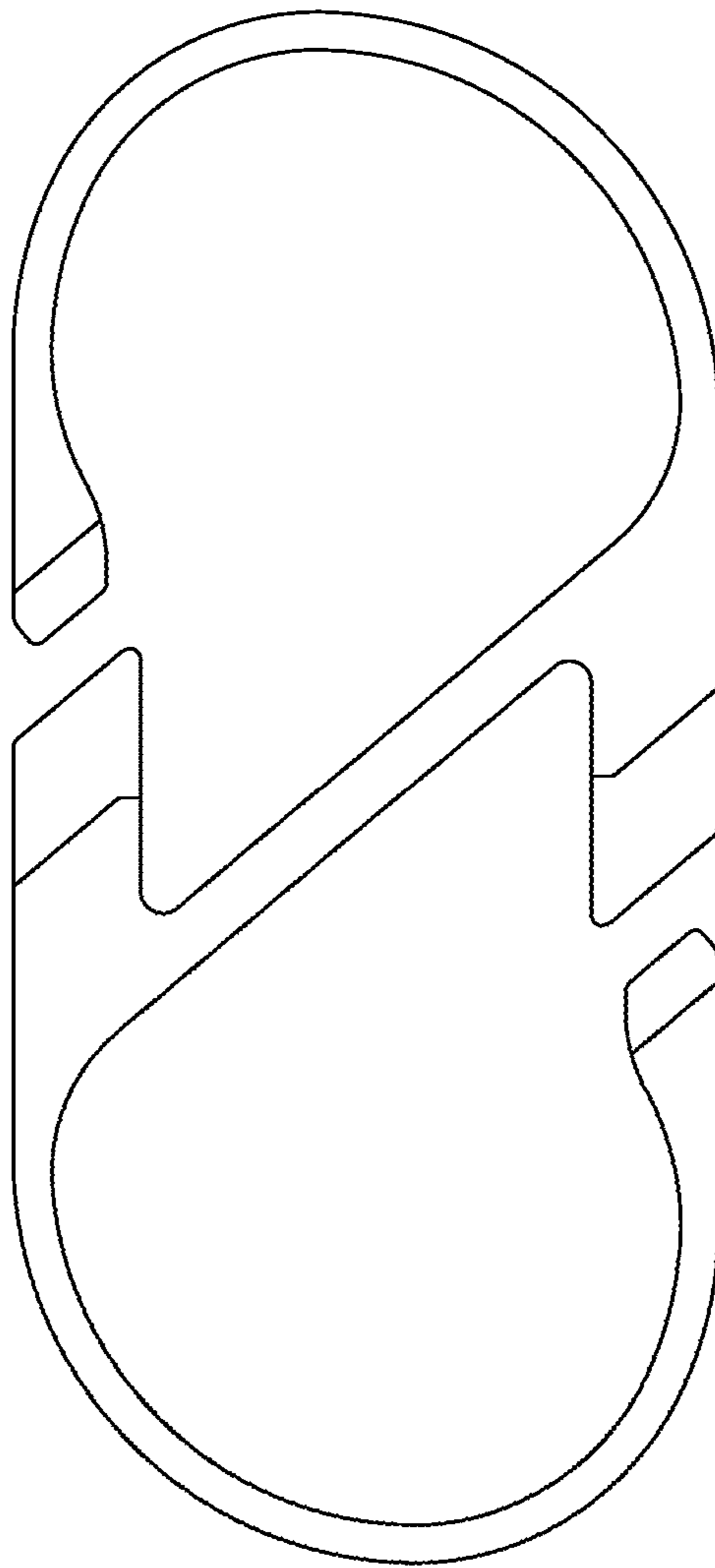


FIG. 4

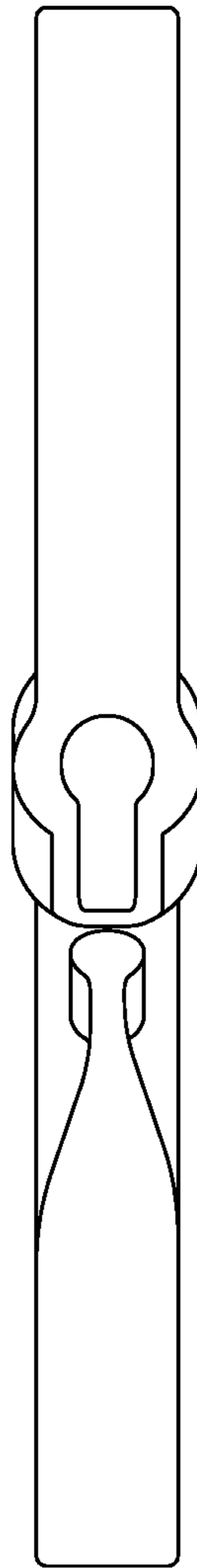


FIG. 5

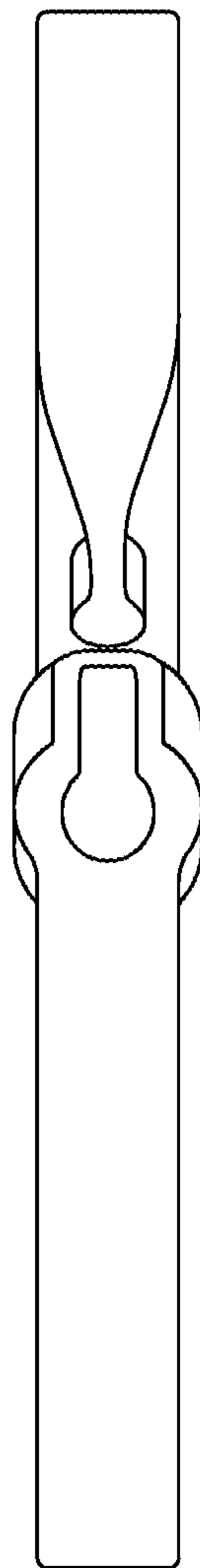


FIG. 6

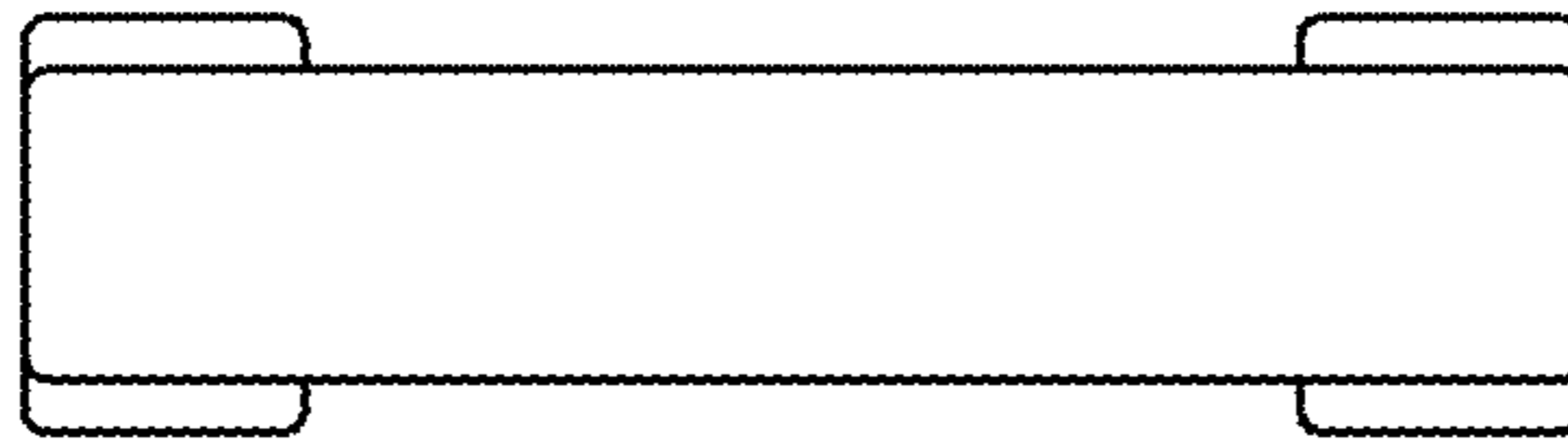


FIG. 7

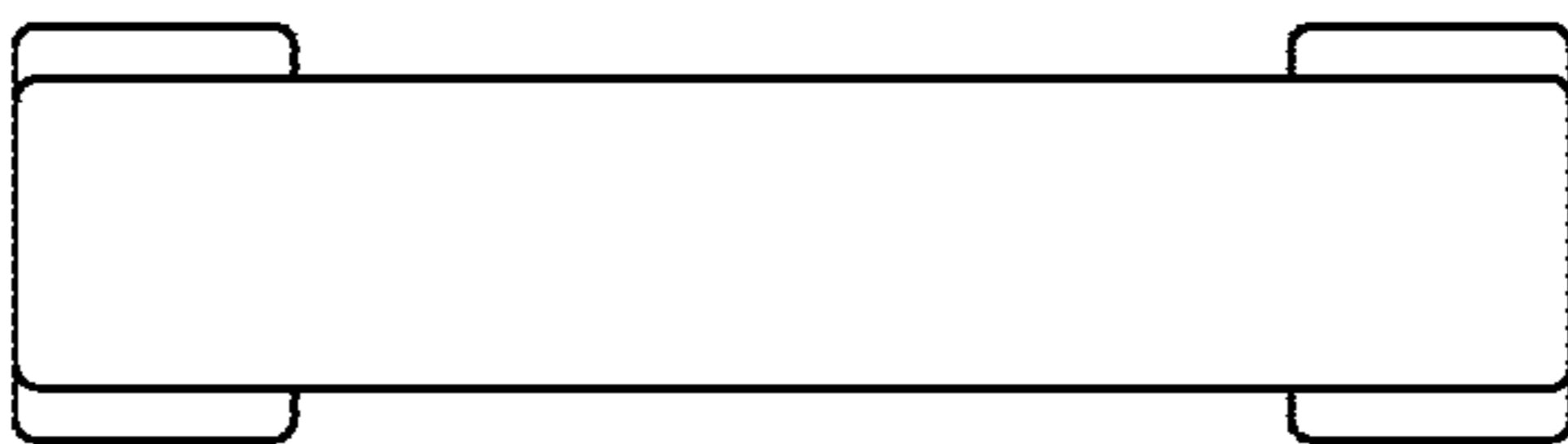


FIG. 8

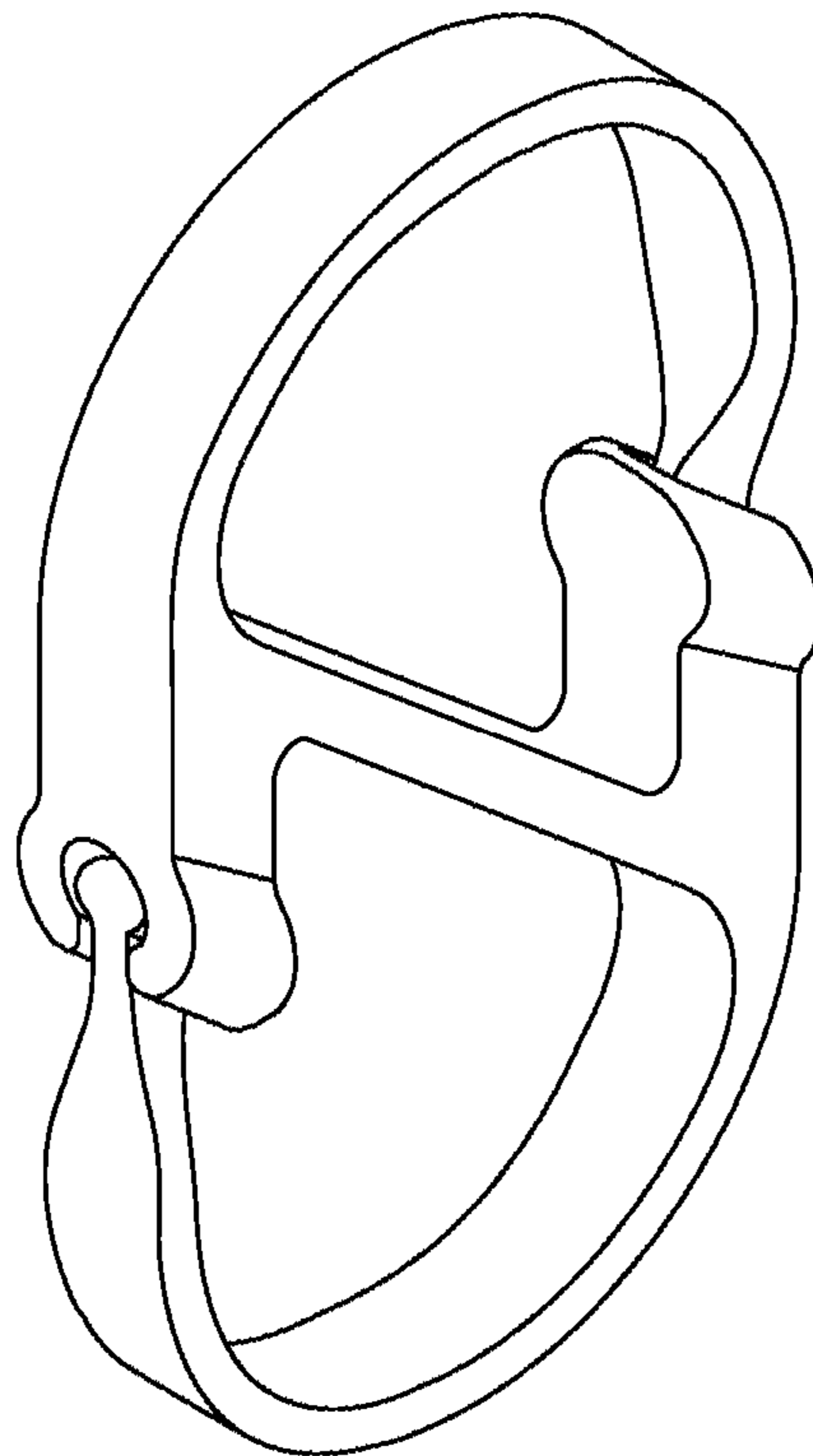


FIG. 9

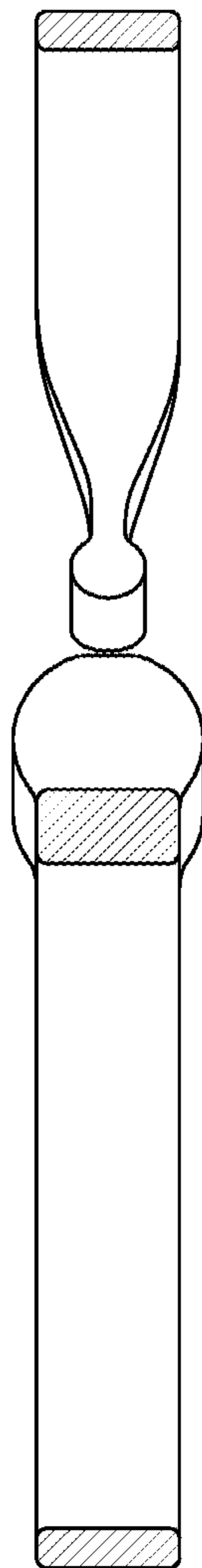


FIG. 10

