



US00D931084S

(12) **United States Design Patent** (10) **Patent No.:** **US D931,084 S**
Schafhuber (45) **Date of Patent:** **** Sep. 21, 2021**

(54) **TUBE AND HOSEPIPE SUPPORT**
 (71) Applicant: **Walter Schafhuber**, Vienna (AT)
 (72) Inventor: **Walter Schafhuber**, Vienna (AT)
 (**) Term: **15 Years**

(21) Appl. No.: **35/508,767**
 (22) Filed: **Jun. 18, 2019**

(80) **Hague Agreement Data**

Int. Filing Date: **Jun. 18, 2019**
 Int. Reg. No.: **DM/206137**
 Int. Reg. Date: **Jun. 18, 2019**
 Int. Reg. Pub. Date: **Mar. 6, 2020**

(51) **LOC (13) Cl.** **08-05**
 (52) **U.S. Cl.**
 USPC **D8/354**

(58) **Field of Classification Search**
 USPC D8/354, 356, 363, 373, 380, 396
 CPC F24F 1/0003; F24F 1/26; F24F 1/32; F24F
 1/34; F24F 13/0263; F24F 13/0254; F16L
 3/243; F16L 59/135
 See application file for complete search history.

(56) **References Cited**

U.S. PATENT DOCUMENTS

D368,422 S * 4/1996 Jensen D8/354
 D490,690 S * 6/2004 Brass D8/354
 7,025,308 B1 * 4/2006 Hill F16L 3/133
 138/107
 D537,331 S * 2/2007 Hill D8/395
 8,033,511 B2 * 10/2011 Grivas F24F 1/0003
 248/58

D730,163 S * 5/2015 Wu D8/376
 9,273,802 B2 * 3/2016 Allendorf F16L 3/2235
 D823,548 S * 7/2018 Seymour D29/125
 D834,412 S * 11/2018 Pentland D9/435
 D836,431 S * 12/2018 Frost D8/396
 D841,802 S * 2/2019 Wakabayashi D24/128
 D850,240 S * 6/2019 Breda H02G 3/32
 D8/354
 D850,811 S * 6/2019 Alluigi D6/648
 D855,408 S * 8/2019 Tsai D7/600.1
 D862,208 S * 10/2019 Mezzalira D8/356
 D877,485 S * 3/2020 Rampersaud D3/10
 10,914,406 B2 * 2/2021 Wakabayashi F16L 3/227

* cited by examiner

Primary Examiner — Darlington Ly
 (74) *Attorney, Agent, or Firm* — Collard & Roe, P.C.

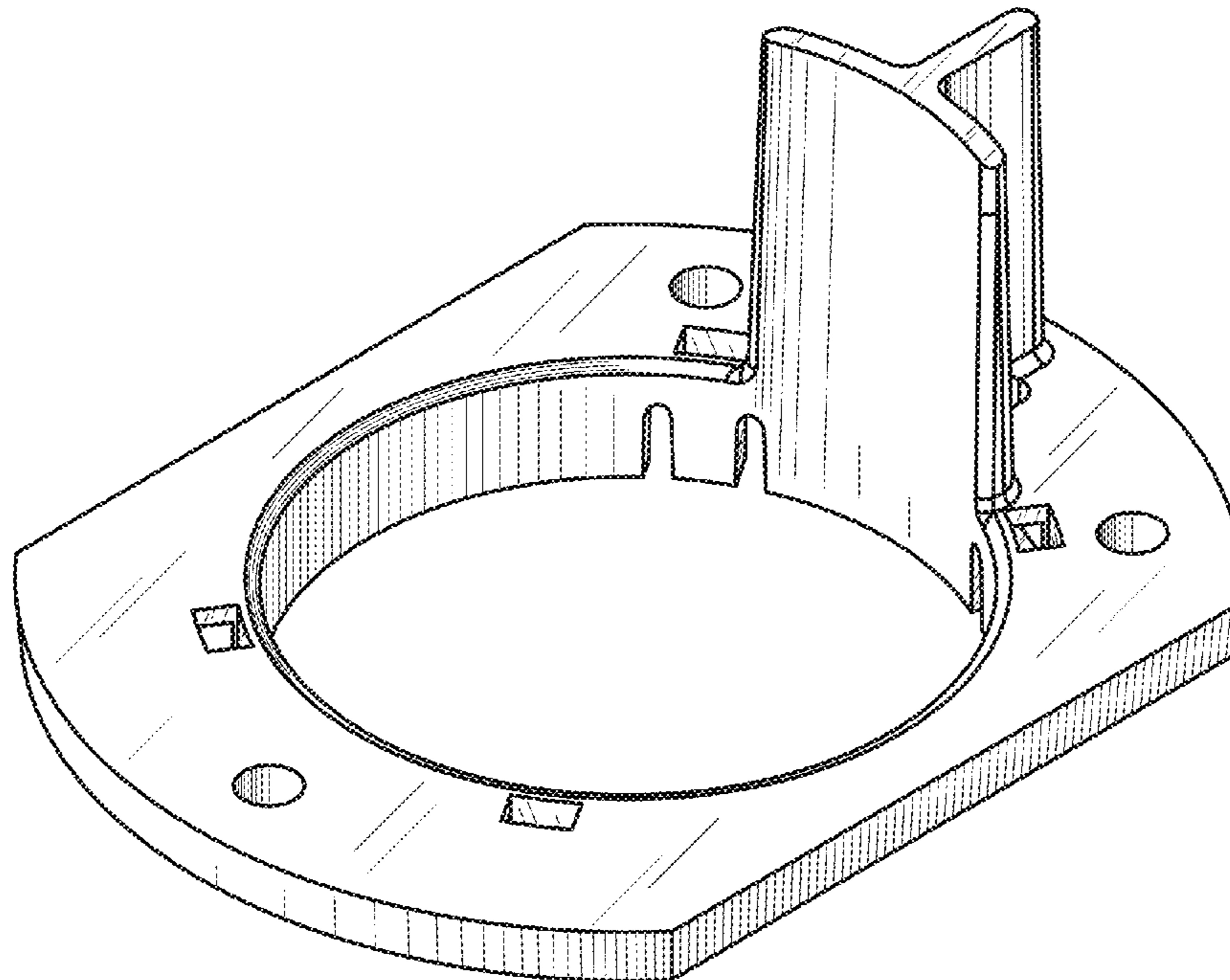
(57) **CLAIM**

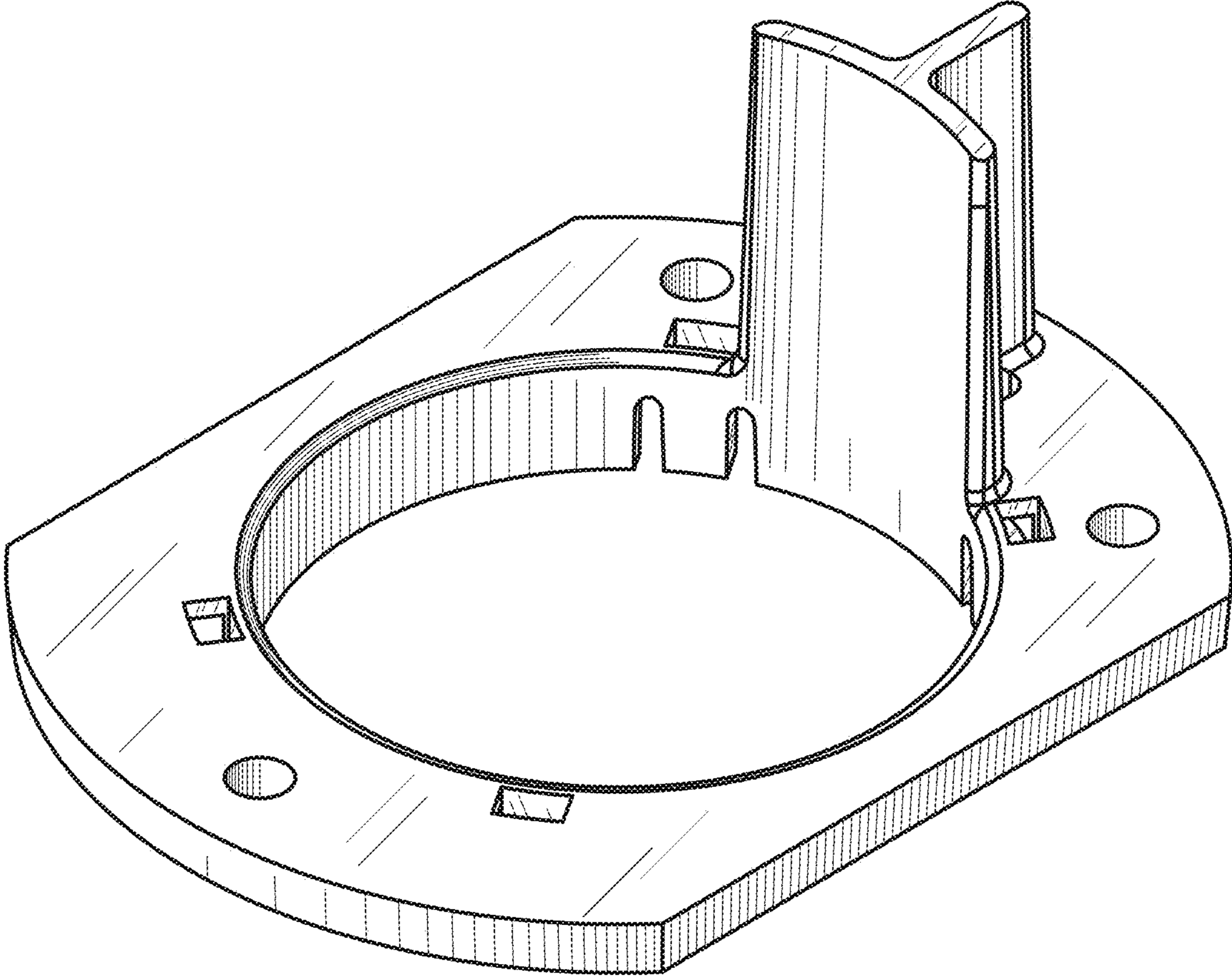
The ornamental design for a tube and hosepipe support, as shown and described.

DESCRIPTION

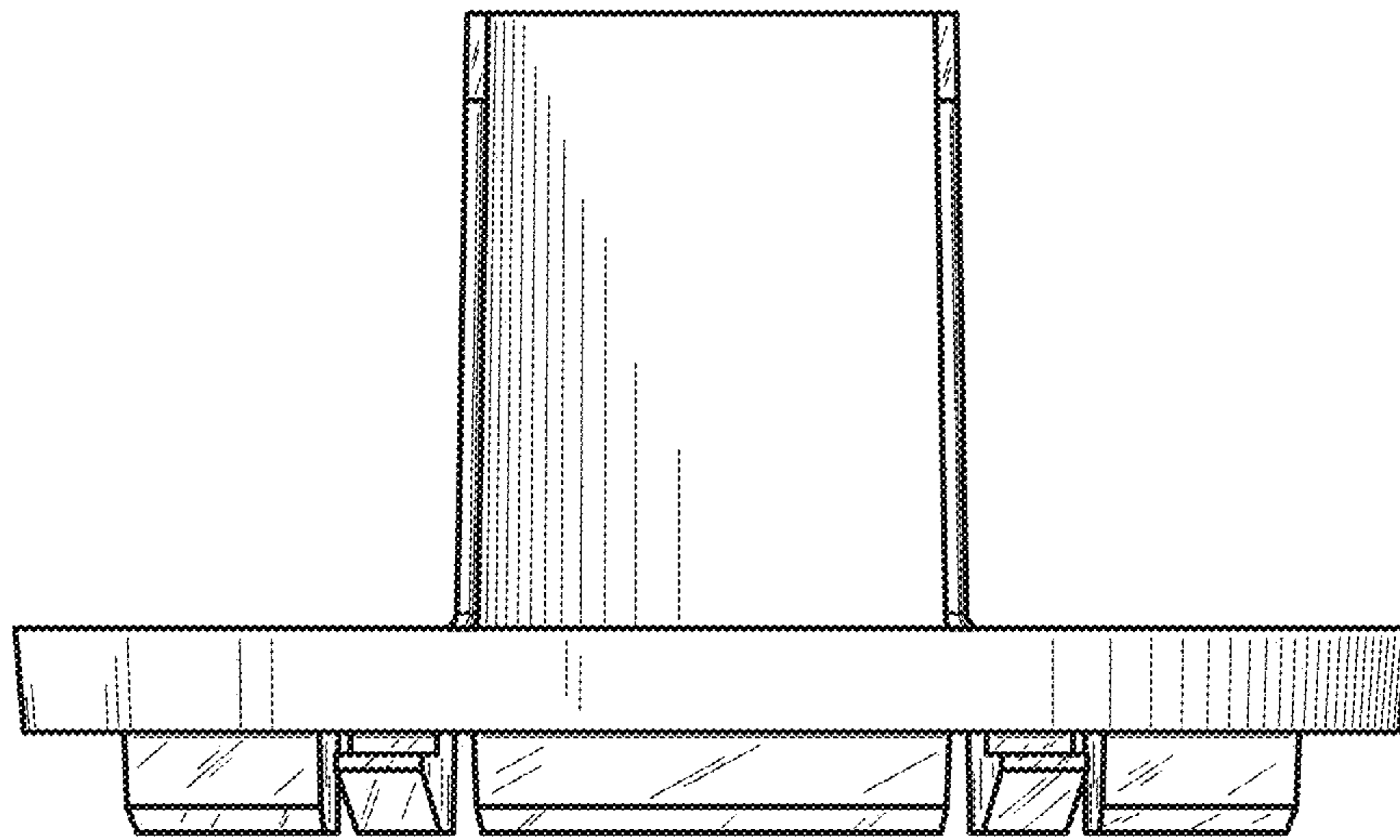
1. Tube and hosepipe support
 1.1 is a top, front, and right side perspective view of a tube and hosepipe support embodying my new design;
 1.2 is a front elevation view thereof;
 1.3 is a rear elevation view thereof;
 1.4 is a left side elevation view thereof;
 1.5 is a right side elevation view thereof; and
 1.6 is a top plan view thereof.
 The bottom view is not shown and forms no part of the claimed design.
 Tube and hosepipe support for punched holes in metal profiles.

1 Claim, 6 Drawing Sheets

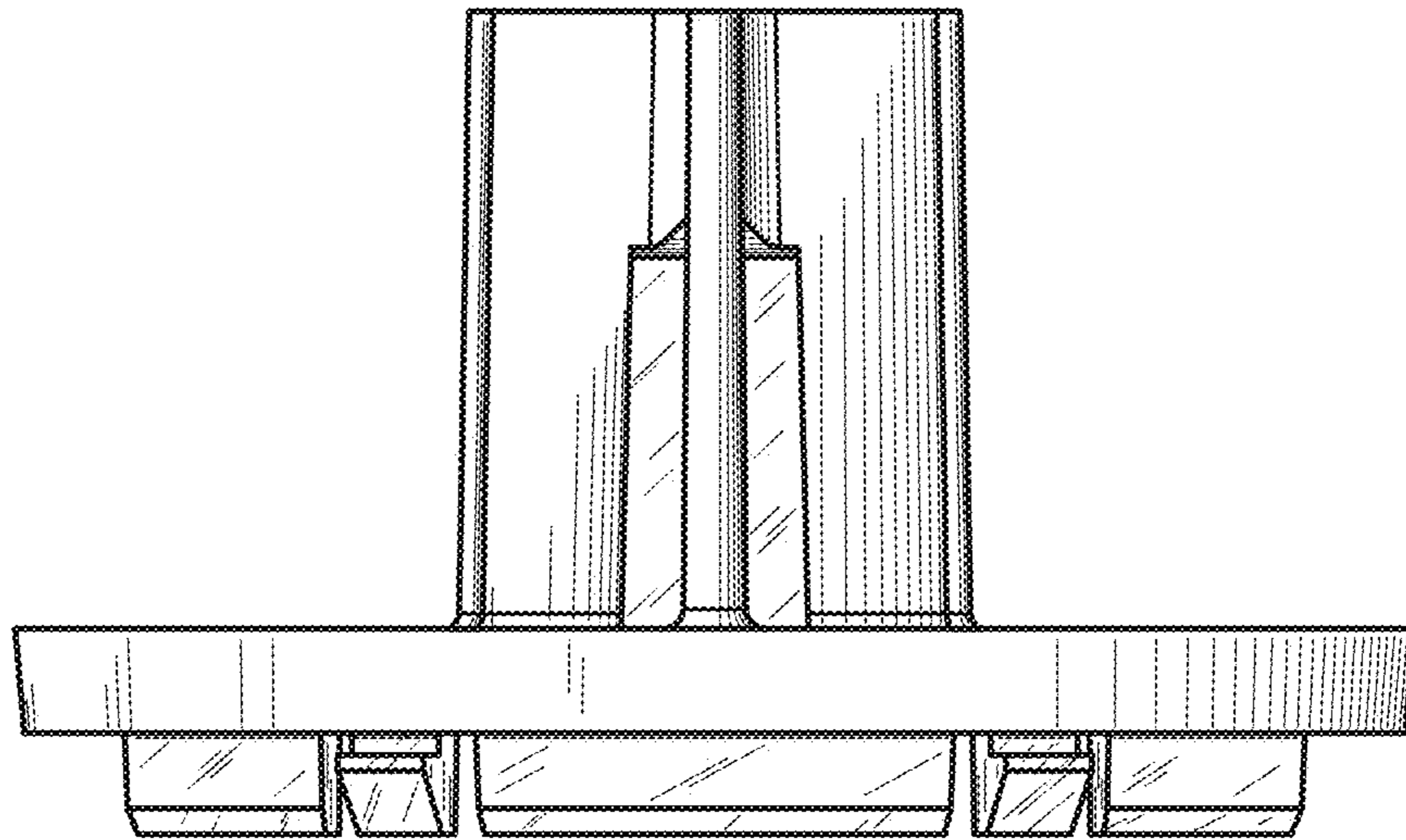




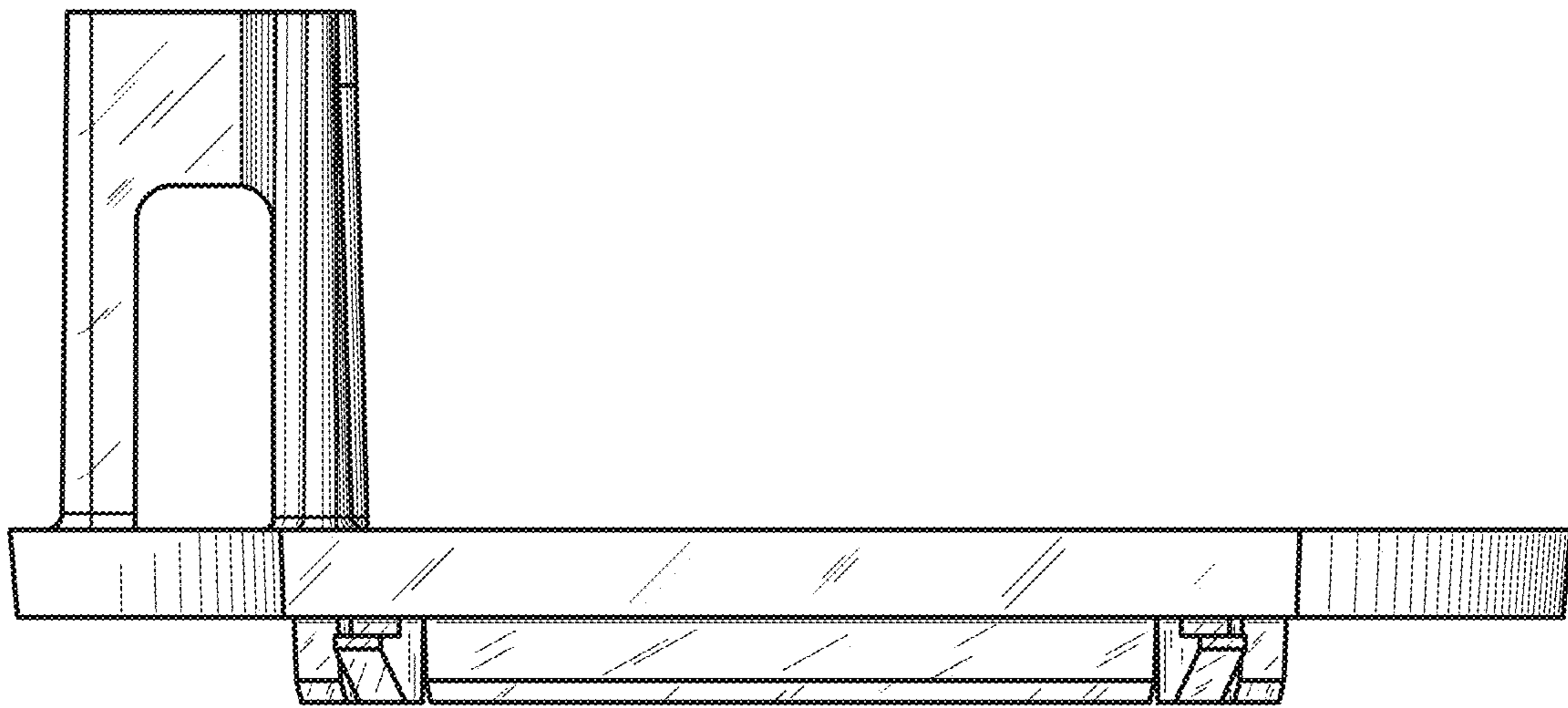
1.1

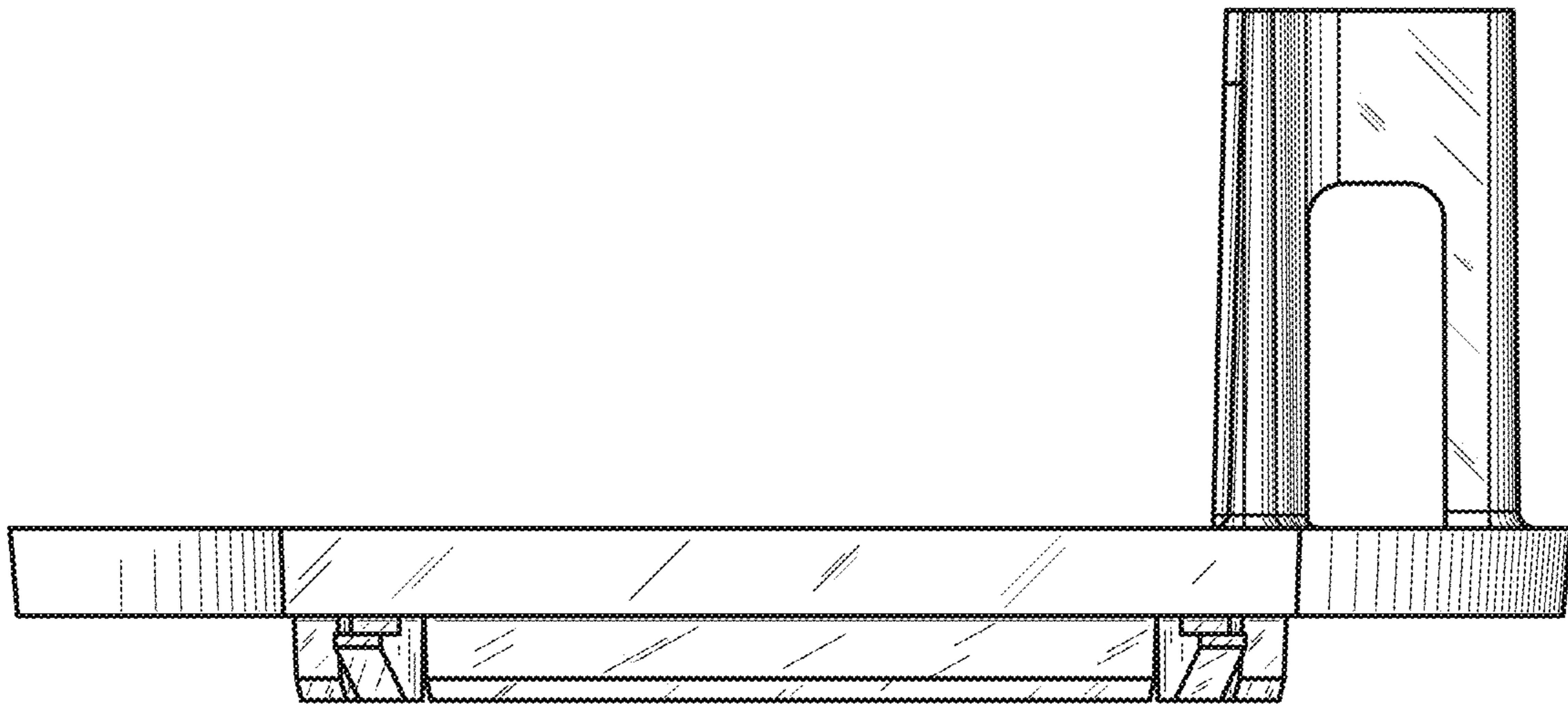


1.2

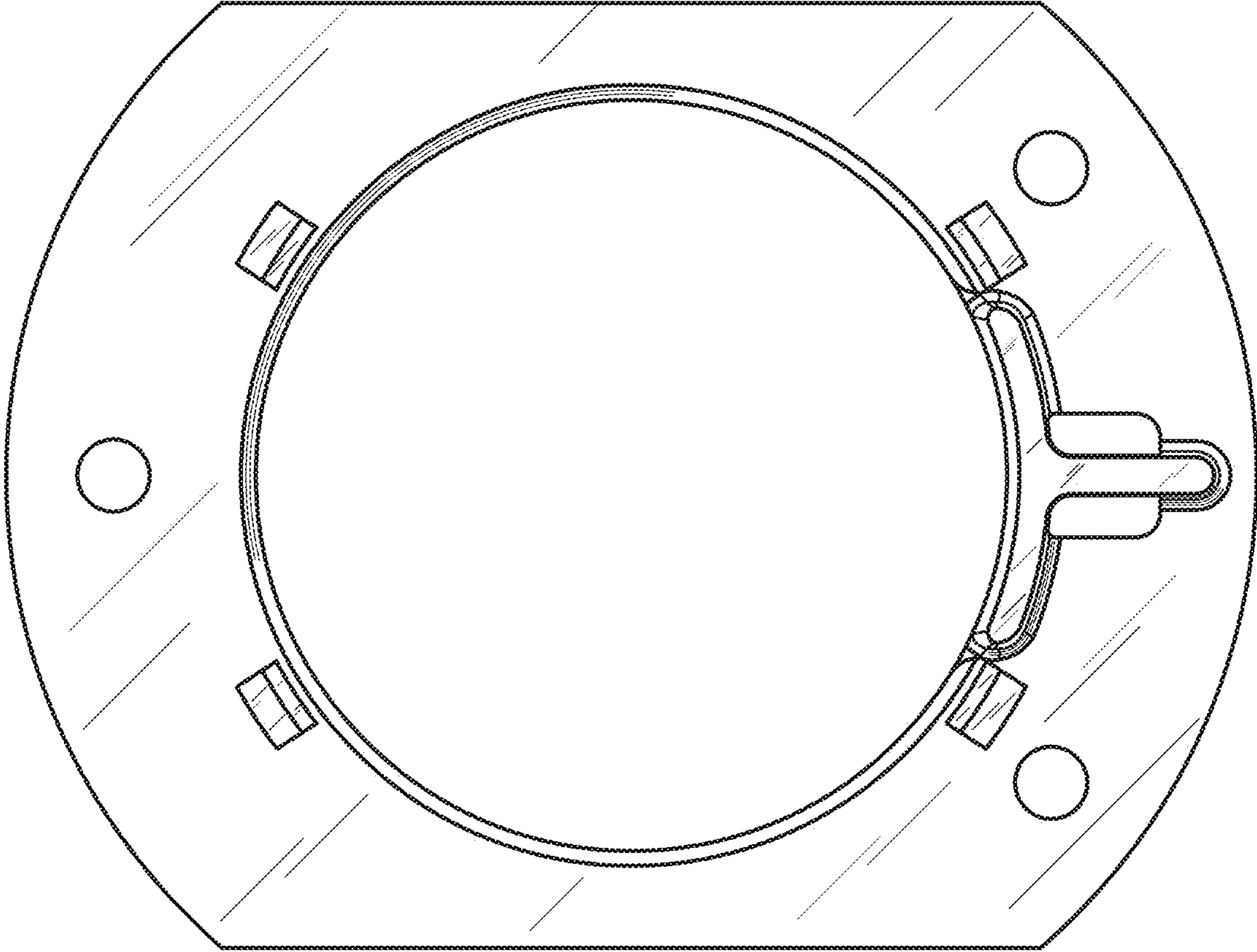


1.3





1.5



1.6