



US00D931083S

(12) **United States Design Patent**
Kibayashi et al.

(10) **Patent No.:** **US D931,083 S**

(45) **Date of Patent:** **** Sep. 21, 2021**

- (54) **CABLE WINDING MACHINE**
- (71) Applicant: **Mitsubishi Electric Corporation**,
Tokyo (JP)
- (72) Inventors: **Yusuke Kibayashi**, Tokyo (JP);
Noboru Kawaguchi, Tokyo (JP); **Junji Takaki**, Tokyo (JP); **Katsumi Yamasaki**, Tokyo (JP)
- (73) Assignee: **Mitsubishi Electric Corporation**,
Tokyo (JP)

3,000,588 A * 9/1961 Brady B65H 49/32
242/388.8
4,155,518 A * 5/1979 Small B60P 3/035
242/388.7
4,208,021 A * 6/1980 Wall A01K 3/00
242/129
D288,773 S * 3/1987 Ward D8/359
4,903,911 A * 2/1990 Sepka B65H 75/40
15/315
D341,770 S * 11/1993 Spear D8/359
5,622,333 A * 4/1997 Jacques B65H 75/241
242/118.5

(Continued)

(**) Term: **15 Years**

FOREIGN PATENT DOCUMENTS

(21) Appl. No.: **29/732,561**

EP 449076 A1 * 10/1991

(22) Filed: **Apr. 24, 2020**

Primary Examiner — Patricia A Palasik

(30) **Foreign Application Priority Data**

(74) *Attorney, Agent, or Firm* — Stuebaker & Brackett
PC

Nov. 1, 2019 (JP) 2019-024465

(51) **LOC (13) Cl.** **08-05**

(52) **U.S. Cl.**
USPC **D8/354**; D8/358; D15/138

(58) **Field of Classification Search**
USPC D8/358, 359; D13/137.4; D14/433;
D15/138, 199

CPC B65H 49/32; B65H 54/72; B65H 54/553;
B65H 61/00; H02G 11/02; H02G 11/00
See application file for complete search history.

(56) **References Cited**

U.S. PATENT DOCUMENTS

1,350,946 A * 8/1920 Stockdale B65H 49/30
242/407.1
1,969,924 A * 8/1934 Carter B65H 75/24
242/470
2,370,868 A * 3/1945 Luebke B65H 75/24
242/407.1
2,983,465 A * 5/1961 Skubal B65H 75/24
242/575.5

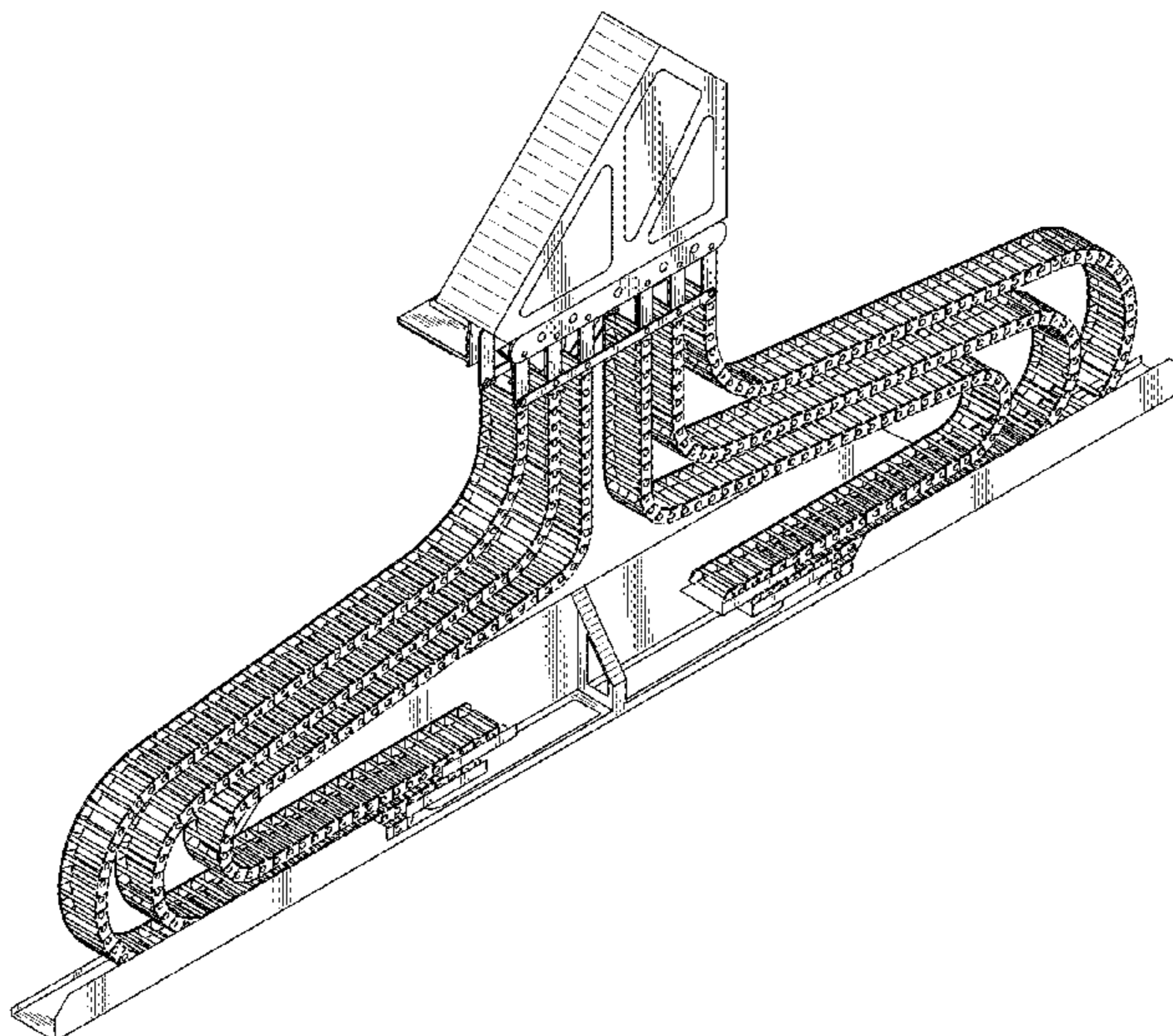
(57) **CLAIM**

The ornamental design for a cable winding machine, as shown and described.

DESCRIPTION

FIG. 1 is a front, top, and left side perspective view of a cable winding machine, showing our new design;
FIG. 2 is a rear, bottom, and right side perspective view thereof;
FIG. 3 is a front view thereof;
FIG. 4 is a rear view thereof;
FIG. 5 is a top view thereof;
FIG. 6 is a bottom view thereof;
FIG. 7 is a right side view thereof;
FIG. 8 is a left side view thereof;
FIG. 9 is a front view 1 showing the changed state thereof; and,
FIG. 10 is a front view 2 showing the changed state thereof.

1 Claim, 10 Drawing Sheets



(56)

References Cited

U.S. PATENT DOCUMENTS

5,897,075 A * 4/1999 Elder B65H 75/22
242/608.2
6,179,239 B1 * 1/2001 Linderoth B65H 54/42
242/125.1
6,199,786 B1 * 3/2001 Lessard B65H 49/30
242/396.9
6,494,397 B1 * 12/2002 Myklebust B65H 54/54
242/399.1
6,543,713 B1 * 4/2003 Frolander B65H 49/32
242/397.2
6,715,710 B1 * 4/2004 Russell B65H 75/18
242/605
6,991,197 B2 * 1/2006 Cox B65H 75/14
242/608.3
7,222,818 B2 * 5/2007 Couchey B65H 75/18
242/611
D557,118 S * 12/2007 Linginfelter D8/358
D598,733 S * 8/2009 Taatjes D8/358
8,074,916 B2 * 12/2011 Penumatcha B65H 75/146
242/604

D702,536 S * 4/2014 Penumatcha B65H 75/146
D8/358
D705,643 S * 5/2014 Siboni D8/358
D741,149 S * 10/2015 Koop D8/356
D741,693 S * 10/2015 Penumatcha B65H 75/14
D8/358
10,377,327 B1 * 8/2019 Katoh H02G 11/00
2002/0063185 A1 * 5/2002 Shields B65H 75/146
242/594.3
2003/0098383 A1 * 5/2003 Luo B23K 9/1333
242/559
2006/0086863 A1 * 4/2006 Couchey B65H 75/30
242/610.6
2008/0048063 A1 * 2/2008 Wells B65H 49/32
242/557
2016/0194178 A1 * 7/2016 Braack B65H 49/32
242/388.8
2019/0144237 A1 * 5/2019 Sigmon B65H 75/28
242/473.8
2021/0122597 A1 * 4/2021 Hernando Saiz B65H 67/00

* cited by examiner

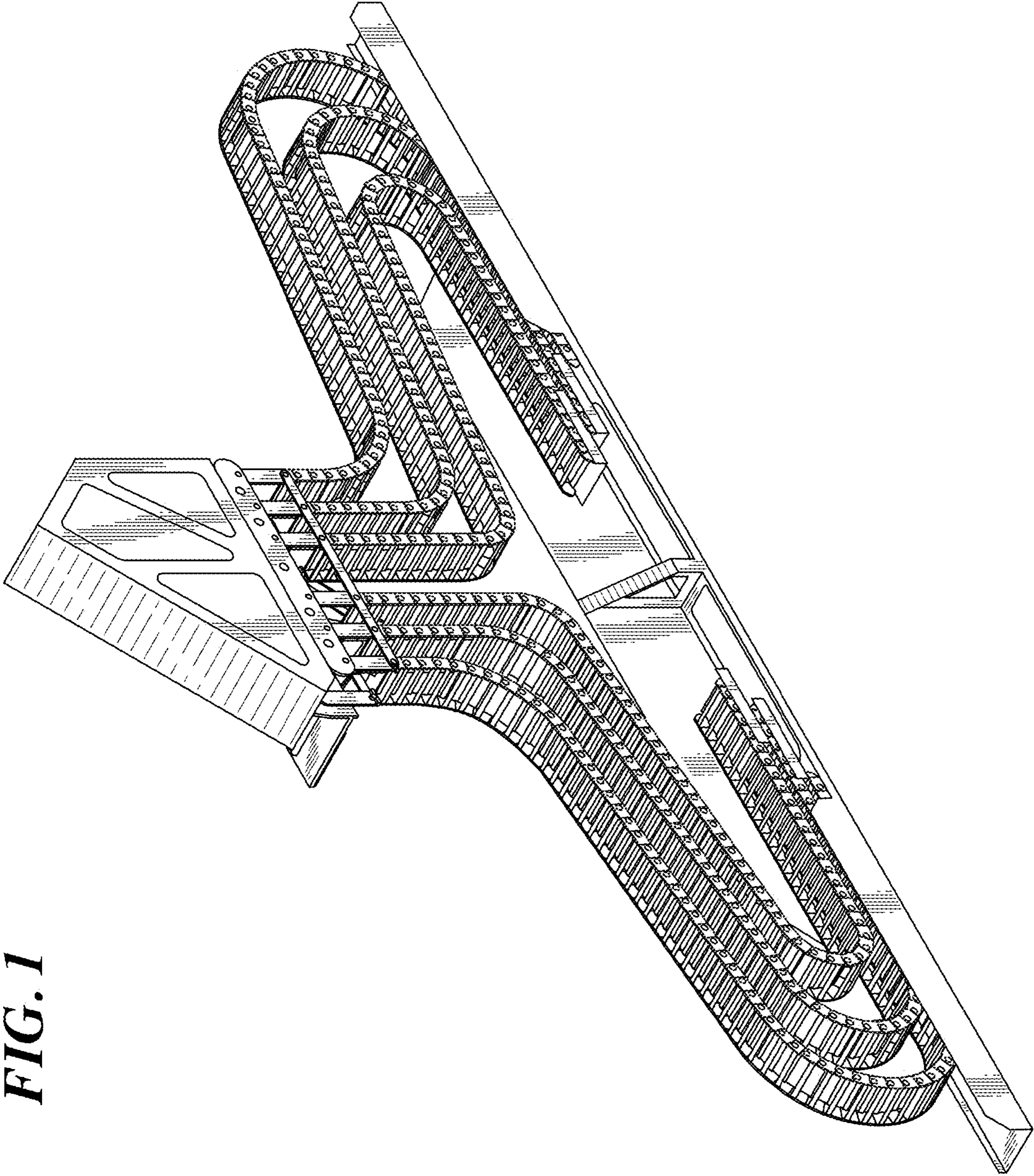


FIG. 1

FIG. 2

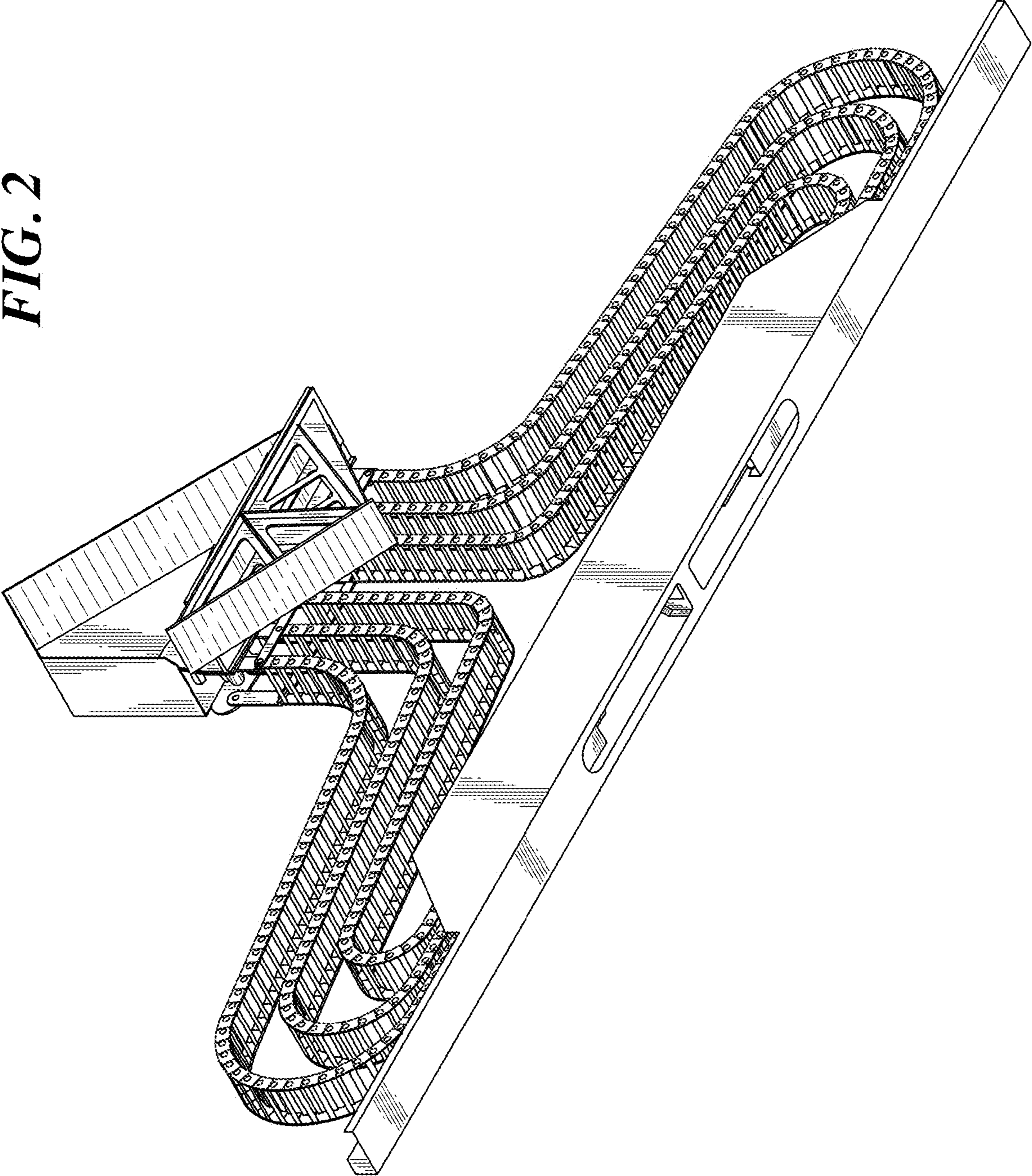


FIG. 3

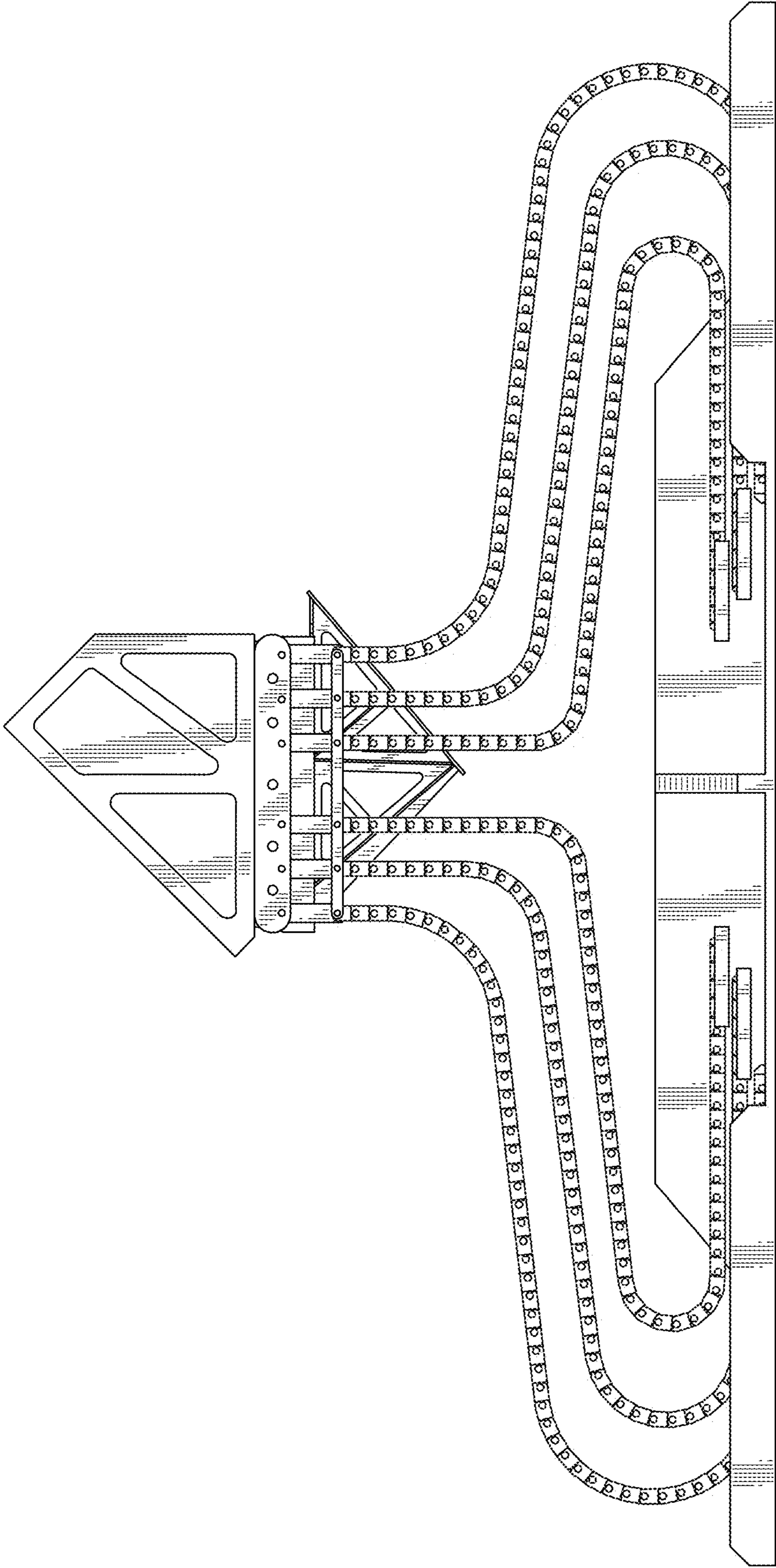


FIG. 4

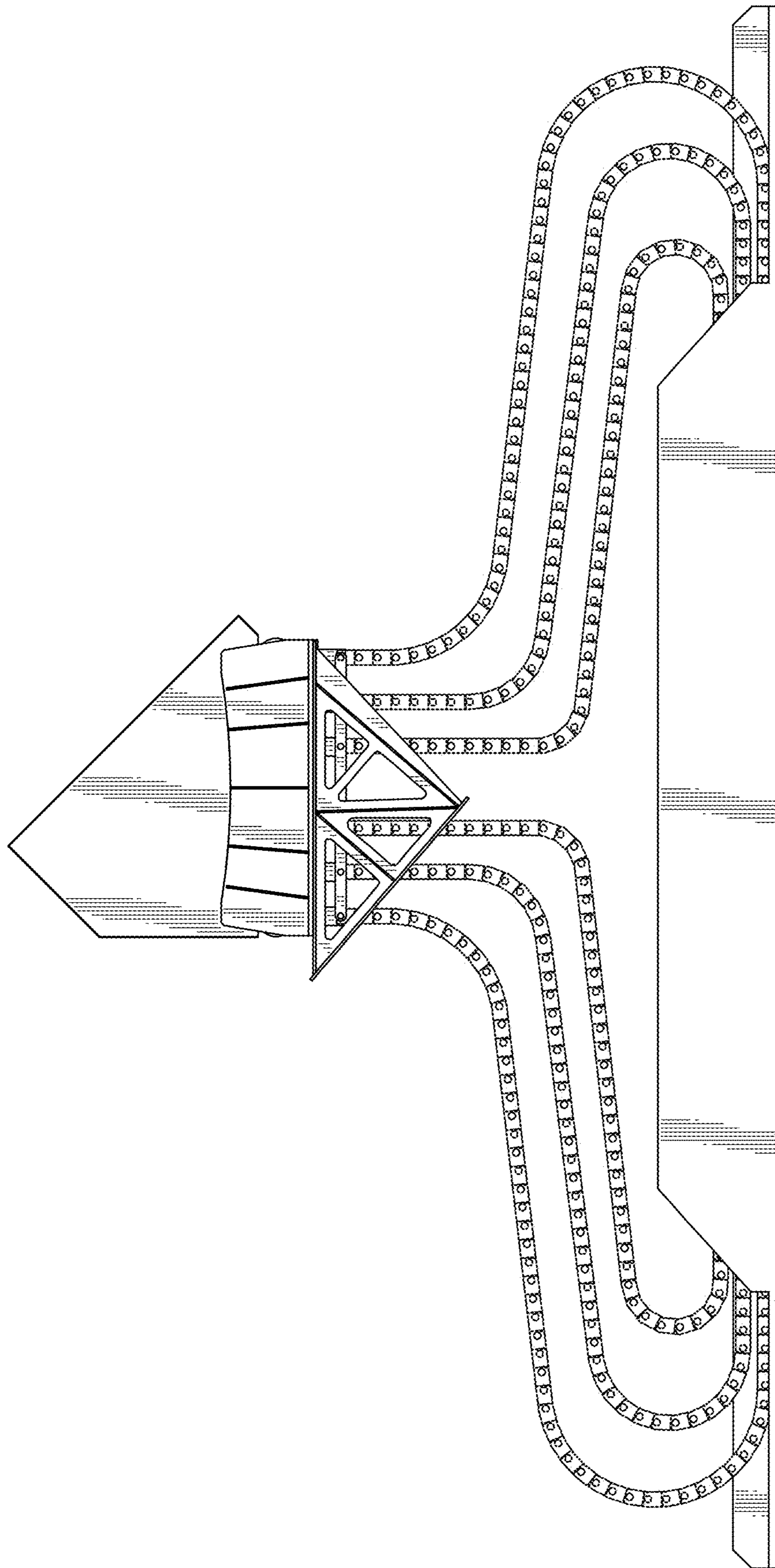


FIG. 5

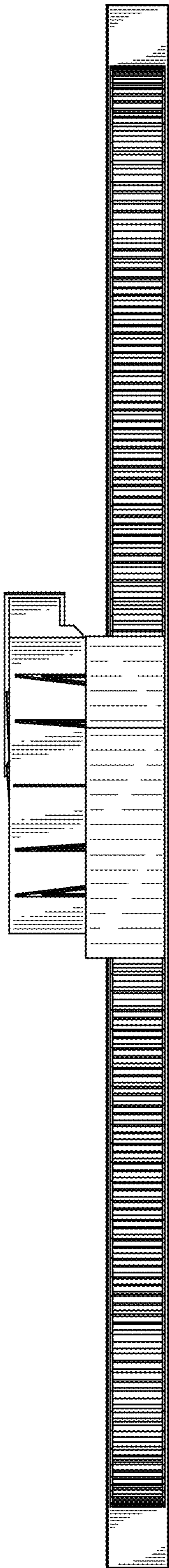


FIG. 6

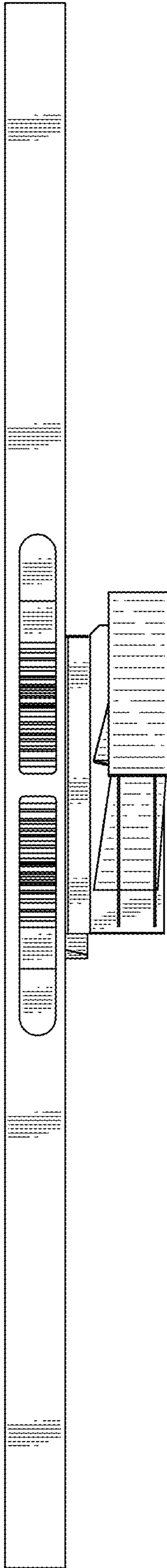


FIG. 7

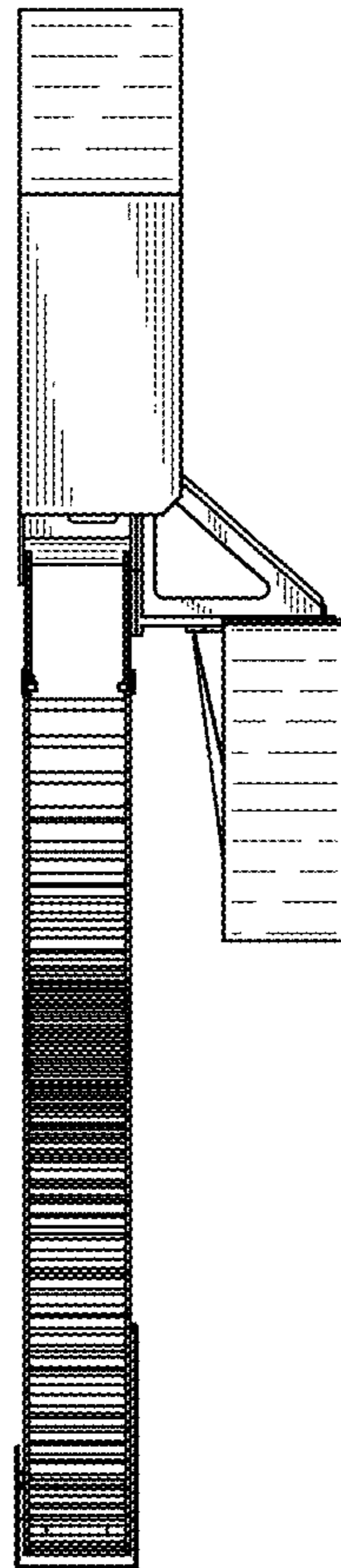


FIG. 8

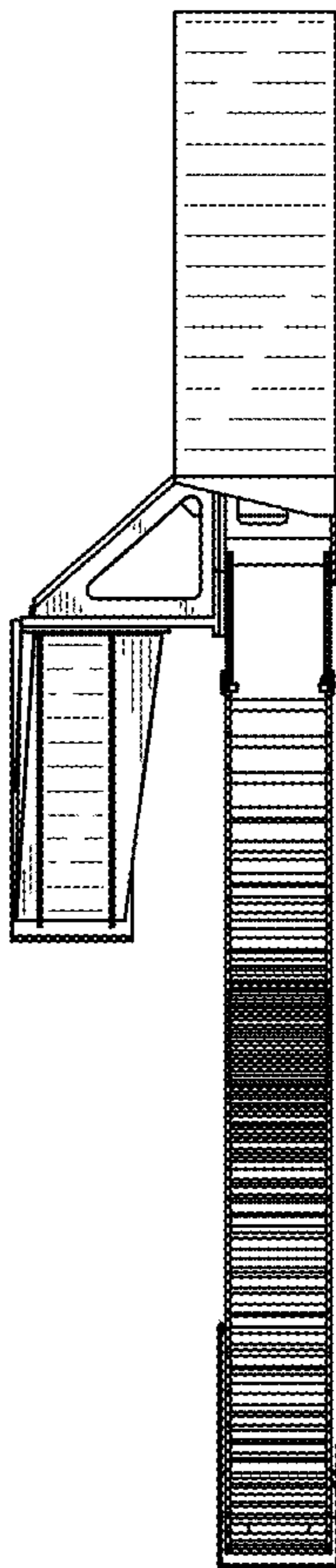
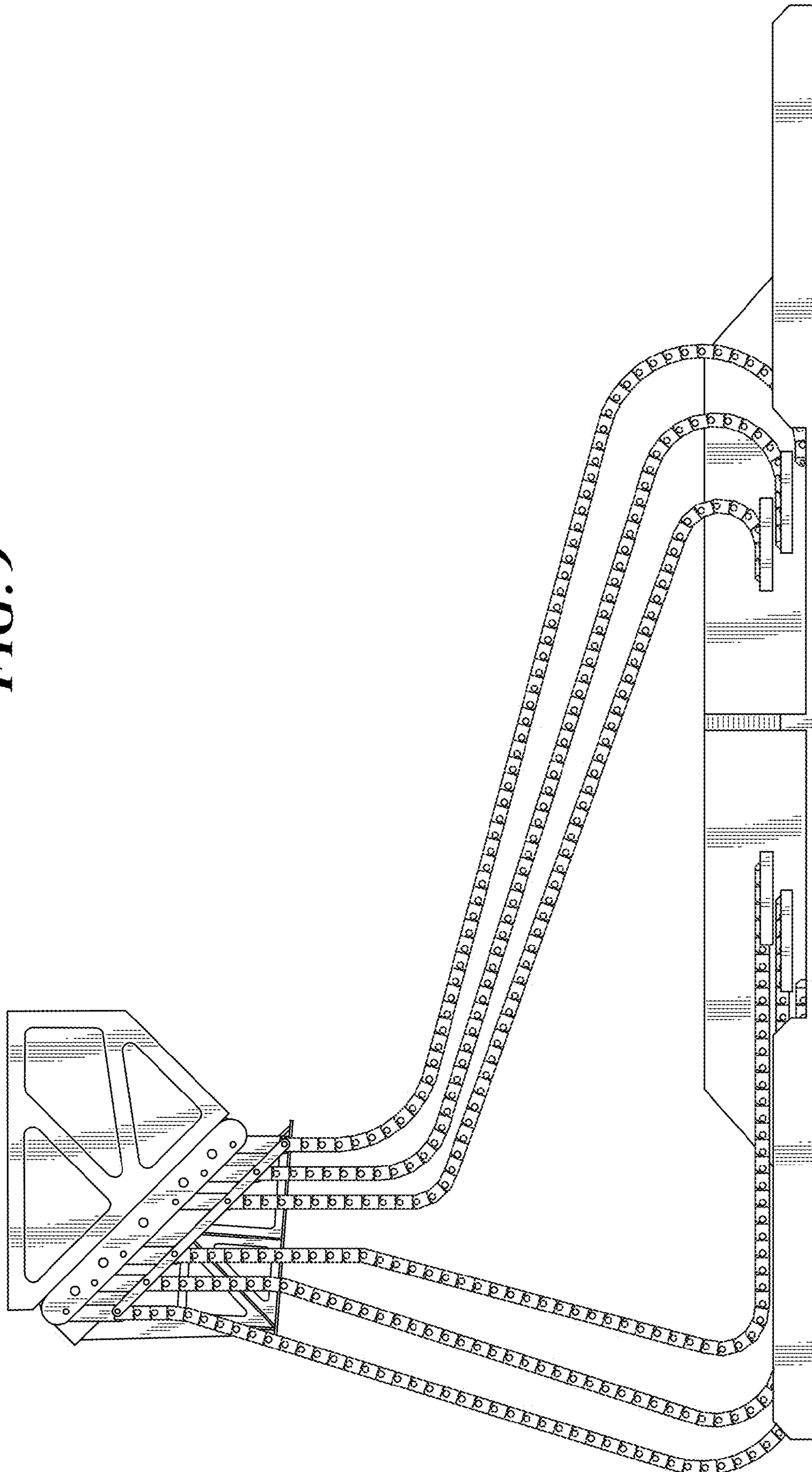


FIG. 9



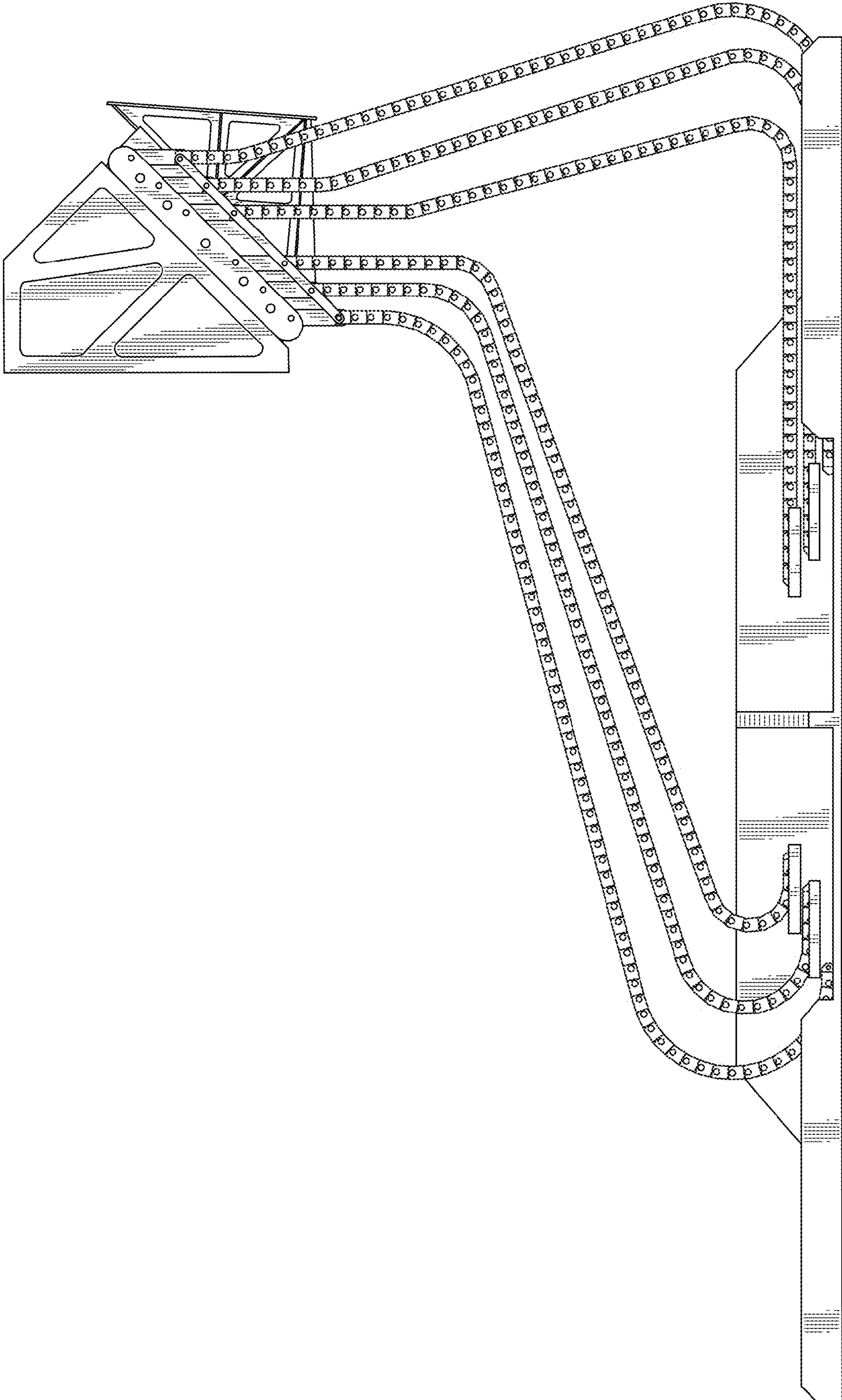


FIG. 10