



US00D931081S

(12) **United States Design Patent** (10) **Patent No.:** **US D931,081 S**
Kong (45) **Date of Patent:** **** Sep. 21, 2021**

(54) **FINGERPRINT LOCK**

(71) Applicant: **Shenzhen Tianfang Technology Co., Ltd.**, Guangdong (CN)

(72) Inventor: **Lingtai Kong**, Guangdong (CN)

(**) Term: **15 Years**

(21) Appl. No.: **29/616,711**

(22) Filed: **Sep. 8, 2017**

(51) **LOC (13) Cl.** **08-07**

(52) **U.S. Cl.**
 USPC **D8/336**
 CPC **G07C 9/00174** (2013.01)

(58) **Field of Classification Search**
 USPC D8/330–348, 300–302, 306–329; 70/91, 70/277, 336, 280, 14, 51, 52, 57.1, 67, 70/69, 78, 85–88, 141; 292/340–346, 180
 CPC E05B 69/003; E05B 71/00; E05B 73/005; E05B 17/142; E05B 47/0011; E05B 47/00; E05B 41/00; E05B 47/06; E05B 47/0001; E05B 47/0615; E05B 47/0012; E05B 15/02; E05B 65/466; E05B 65/469; E05B 13/001; E05B 13/007; E05B 13/00; E05B 13/10; E05B 65/44; E05B 65/46; E05B 65/462; E05B 65/463; E05B 65/461; E05B 65/464; E05B 51/00; E05B 35/00; E05B 39/00; E05B 17/14; E05B 2047/0086; Y10T 70/5155; Y10T 70/5199; A47F 3/00; A47F 3/005; A47F 3/007; A47F 7/024; G07C 9/00563; B62H 5/001

See application file for complete search history.

(56) **References Cited**
 U.S. PATENT DOCUMENTS

D494,841 S * 8/2004 Moon D8/352
 D515,401 S * 2/2006 Osiecki D8/331
 D519,356 S * 4/2006 Osiecki D8/331

D581,245 S * 11/2008 Conway D8/330
 D581,246 S * 11/2008 Conway D8/330
 D639,137 S * 6/2011 Ray, II D8/330
 D685,249 S * 7/2013 Friedli D8/330
 D794,414 S * 8/2017 Chou D8/331
 D832,677 S * 11/2018 Gokcebay D8/331
 D894,183 S * 8/2020 Min D14/384
 D899,892 S * 10/2020 Liu D8/334
 D899,893 S * 10/2020 Liu D8/334
 D904,855 S * 12/2020 Min D8/330
 D906,087 S * 12/2020 Zheng D8/331
 D906,785 S * 1/2021 Kinas D8/334
 D909,850 S * 2/2021 Lin D8/331
 D911,812 S * 3/2021 Moyer D8/330
 D912,492 S * 3/2021 Singh H04N 7/188
 D914,480 S * 3/2021 Tan D8/334
 D915,864 S * 4/2021 Zhu D8/334
 D916,577 S * 4/2021 Min D8/331
 2007/0114801 A1 * 5/2007 Lin E05B 63/04
 2014/0028439 A1 * 1/2014 Lien G07C 9/00563
 2016/0371907 A1 * 12/2016 Ma E05B 17/10
 292/336.3
 340/5.53

(Continued)

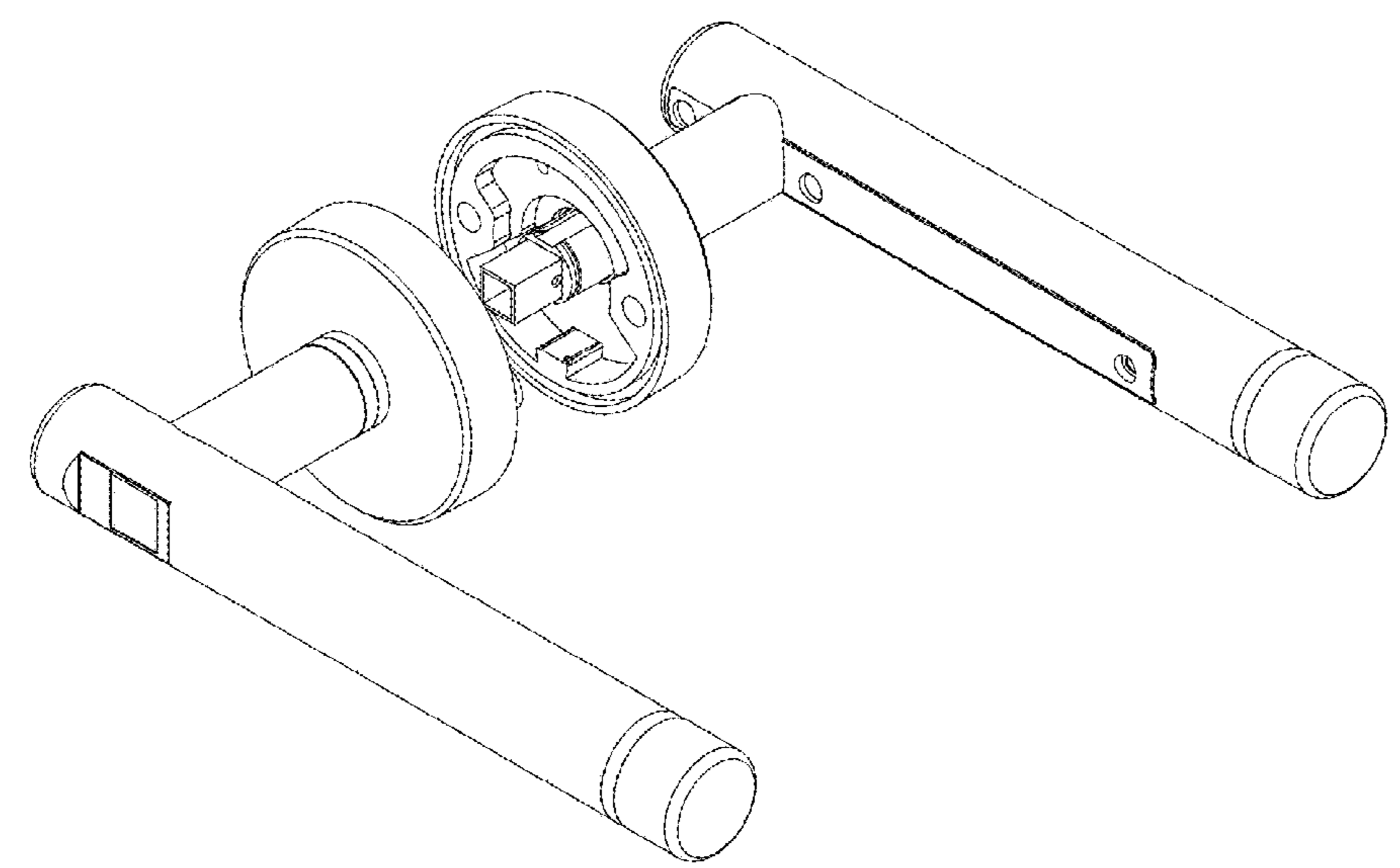
Primary Examiner — Richard E Chilcot
 (74) *Attorney, Agent, or Firm* — Prakash Nama; Global IP Services, PLLC

(57) **CLAIM**
 The ornamental design for a fingerprint lock, as shown.

DESCRIPTION

FIG. 1 is a front elevational view of a fingerprint lock showing my new design;
 FIG. 2 is a rear elevational view thereof;
 FIG. 3 is a left side view thereof;
 FIG. 4 is a right side view thereof;
 FIG. 5 is a top plan view thereof;
 FIG. 6 is a bottom plan view thereof;
 FIG. 7 is a perspective view thereof; and,
 FIG. 8 is another perspective view thereof.

1 Claim, 4 Drawing Sheets



(56)

References Cited

U.S. PATENT DOCUMENTS

2019/0360238 A1* 11/2019 Liu E05B 17/14
2019/0371099 A1* 12/2019 Chen G06K 9/00302
2020/0286313 A1* 9/2020 Scalisi G07C 9/25
2020/0354991 A1* 11/2020 Derham E05B 47/0012

* cited by examiner

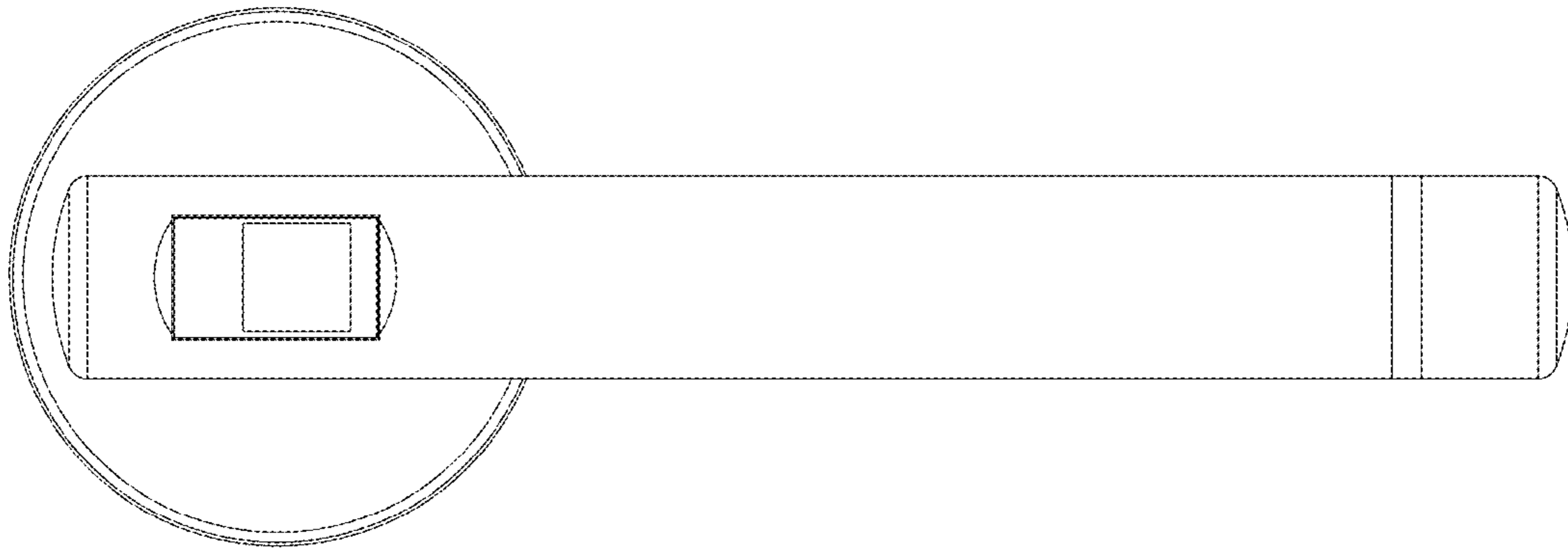


FIG. 1

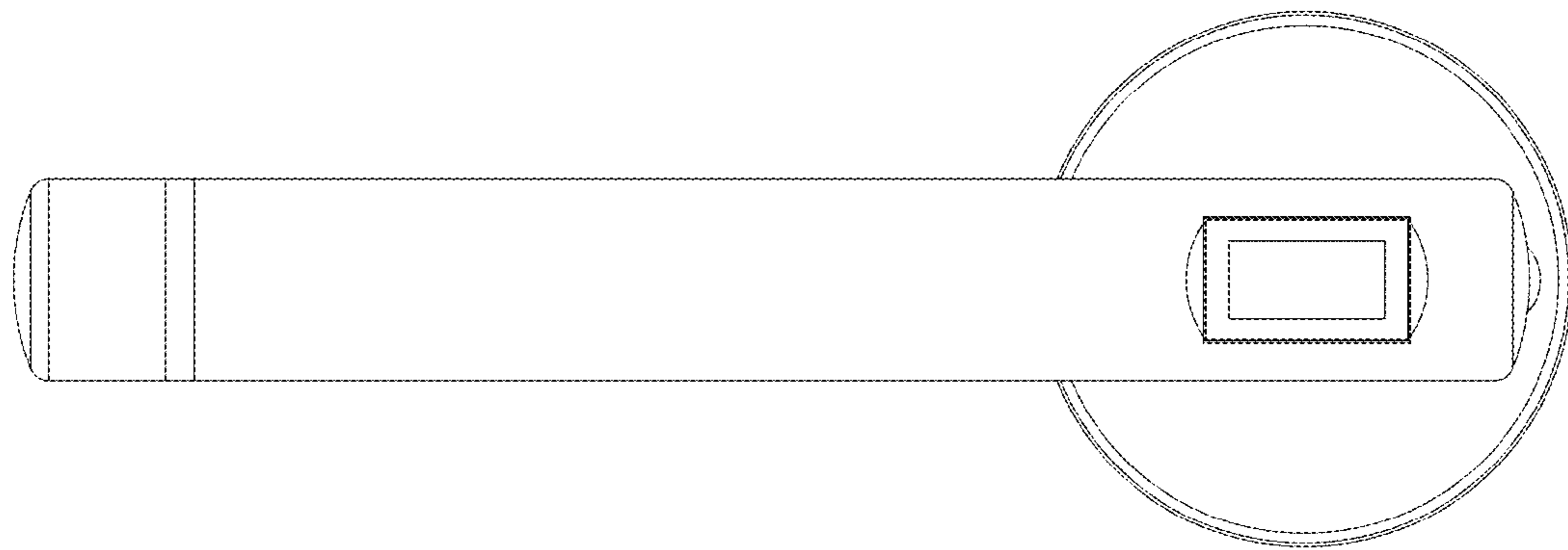


FIG. 2

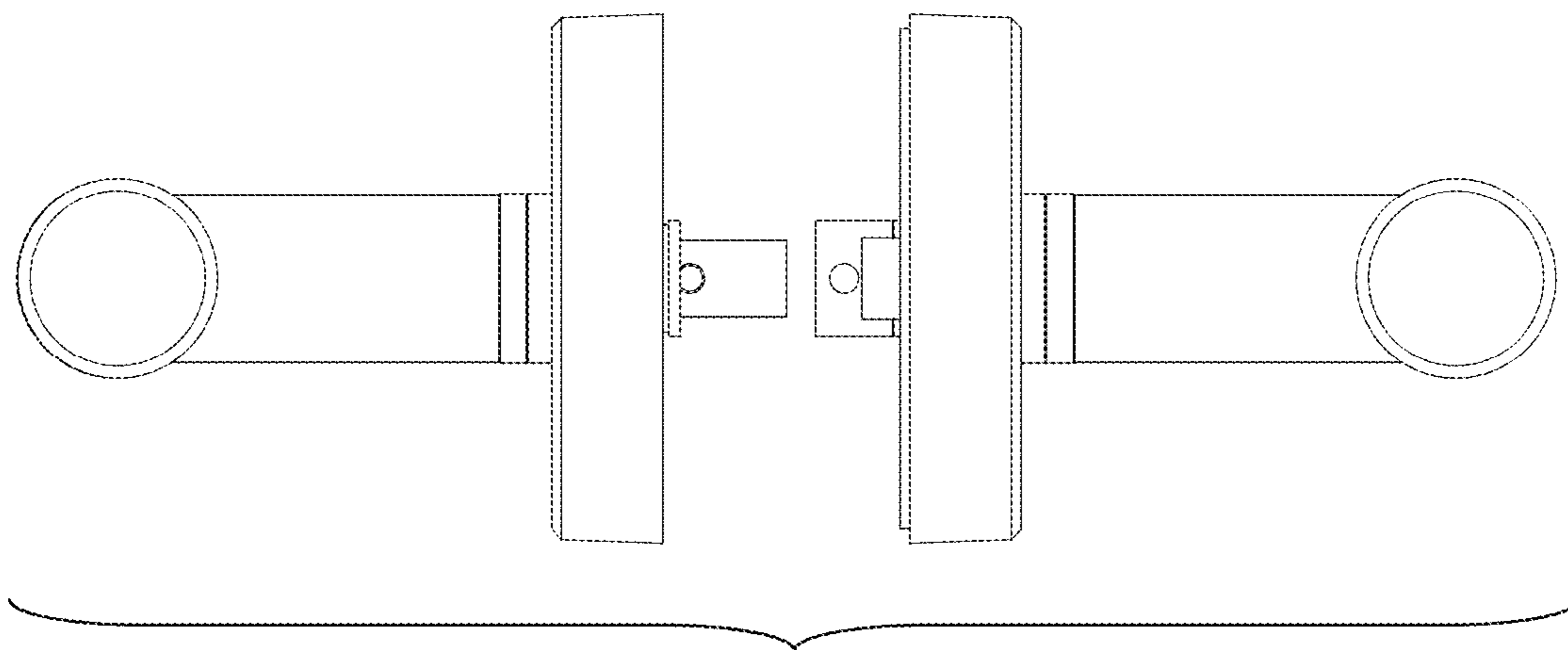


FIG. 3

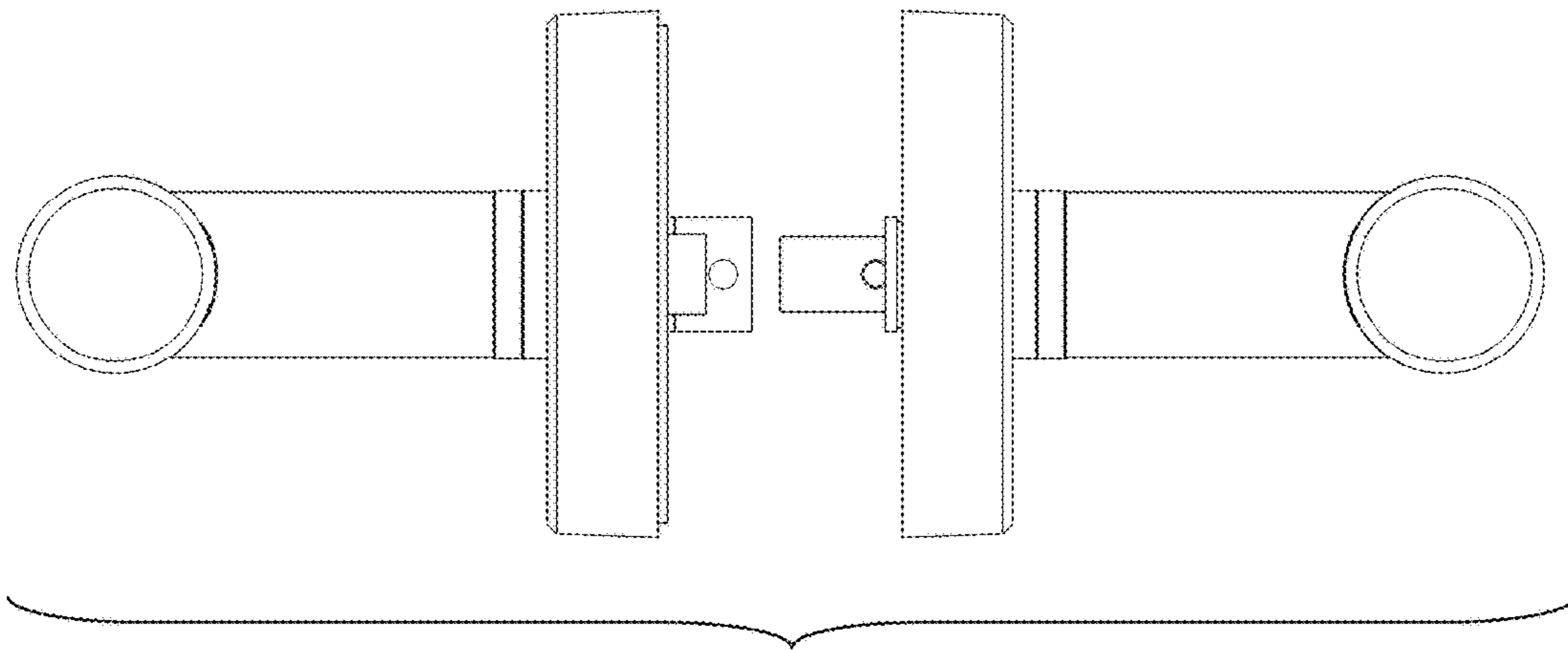


FIG. 4

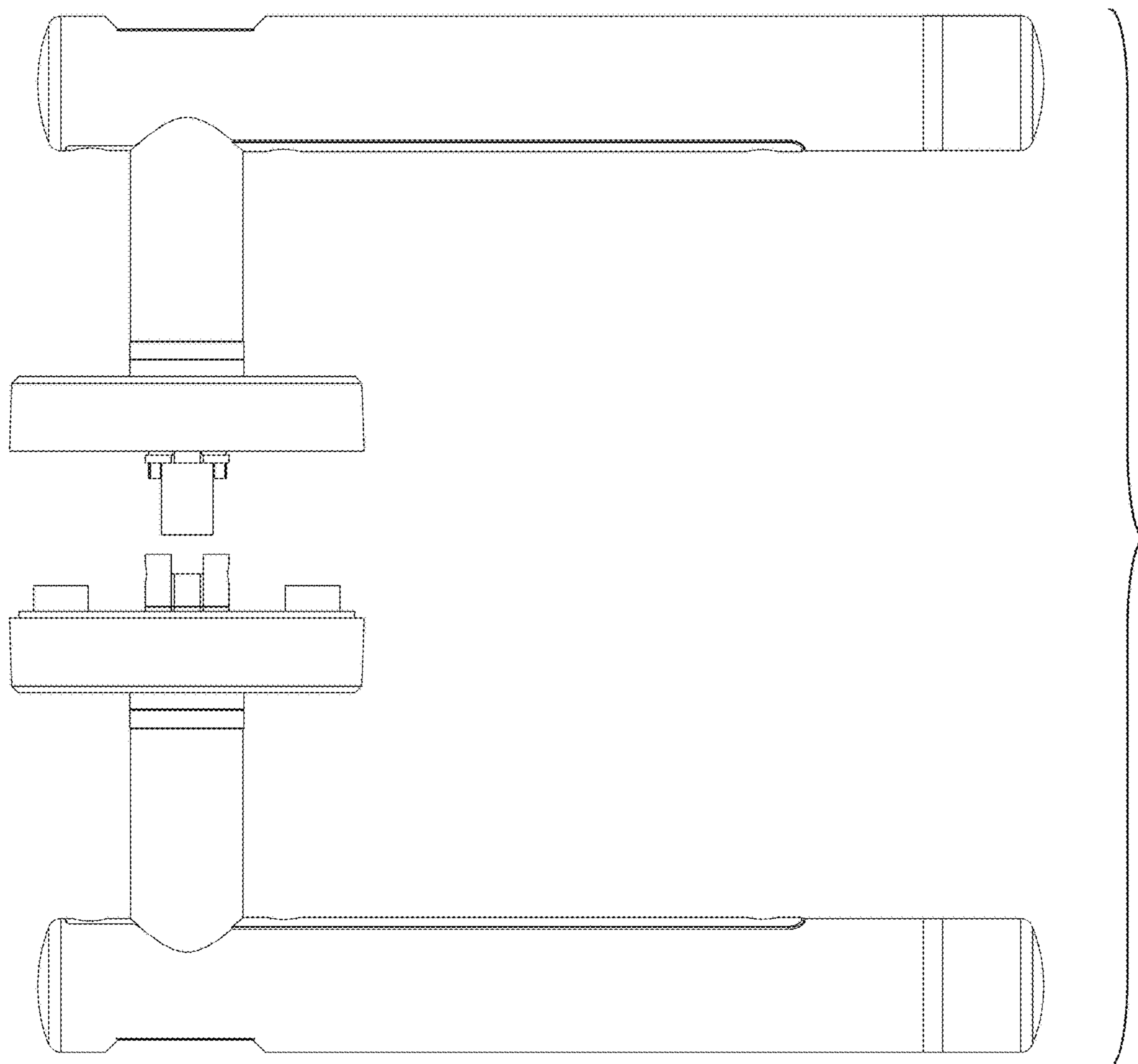


FIG. 5

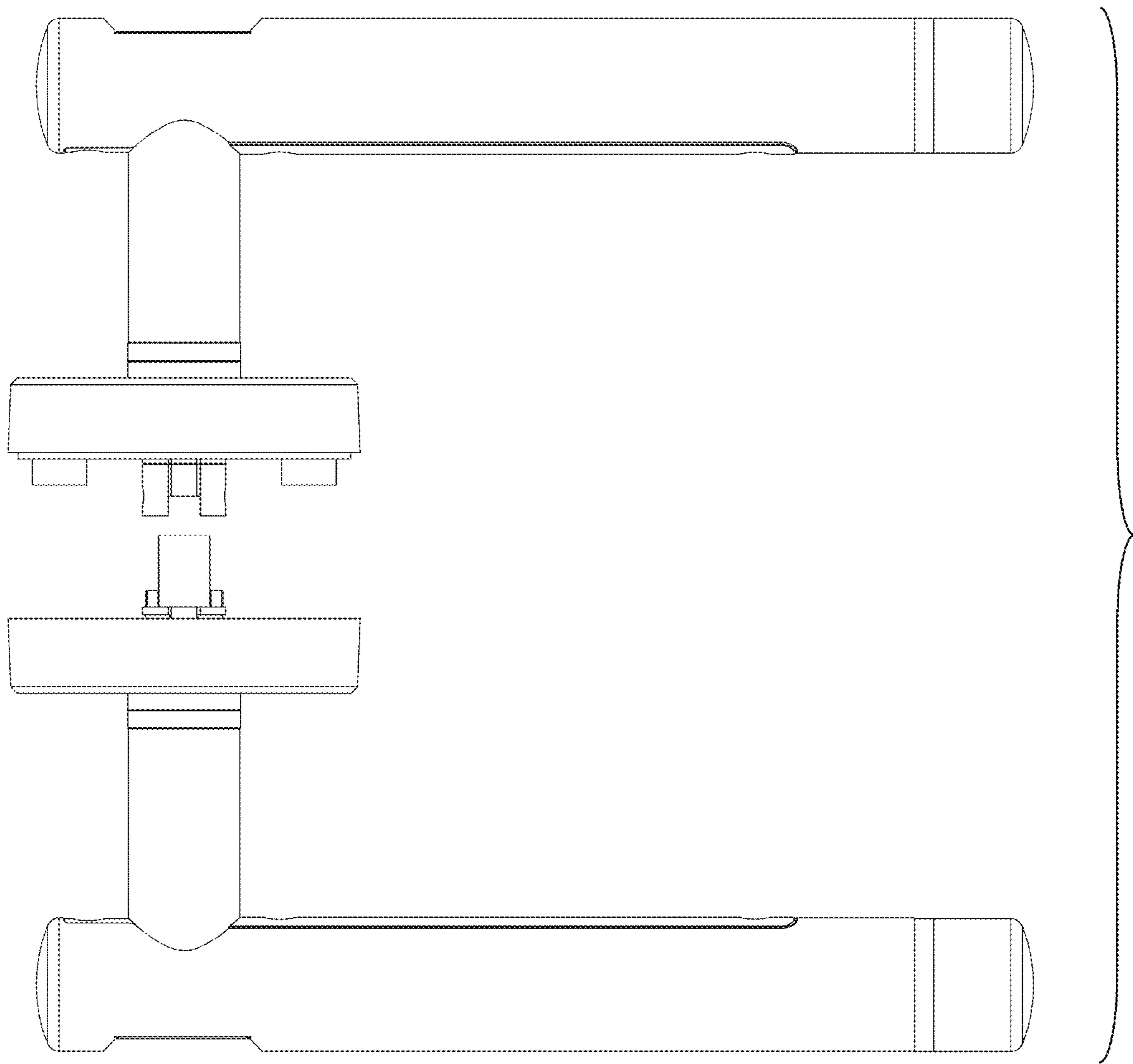


FIG. 6

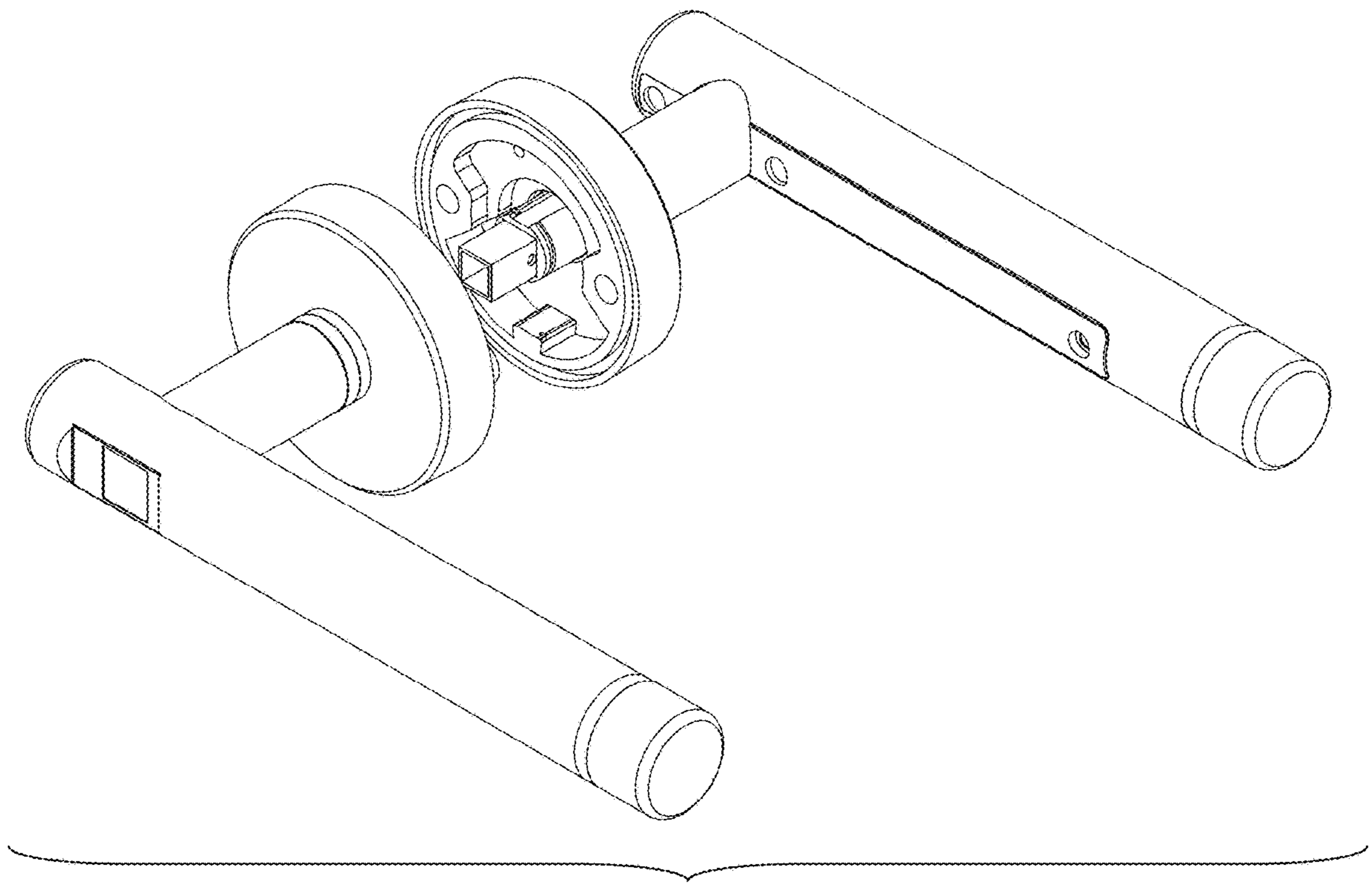


FIG. 7

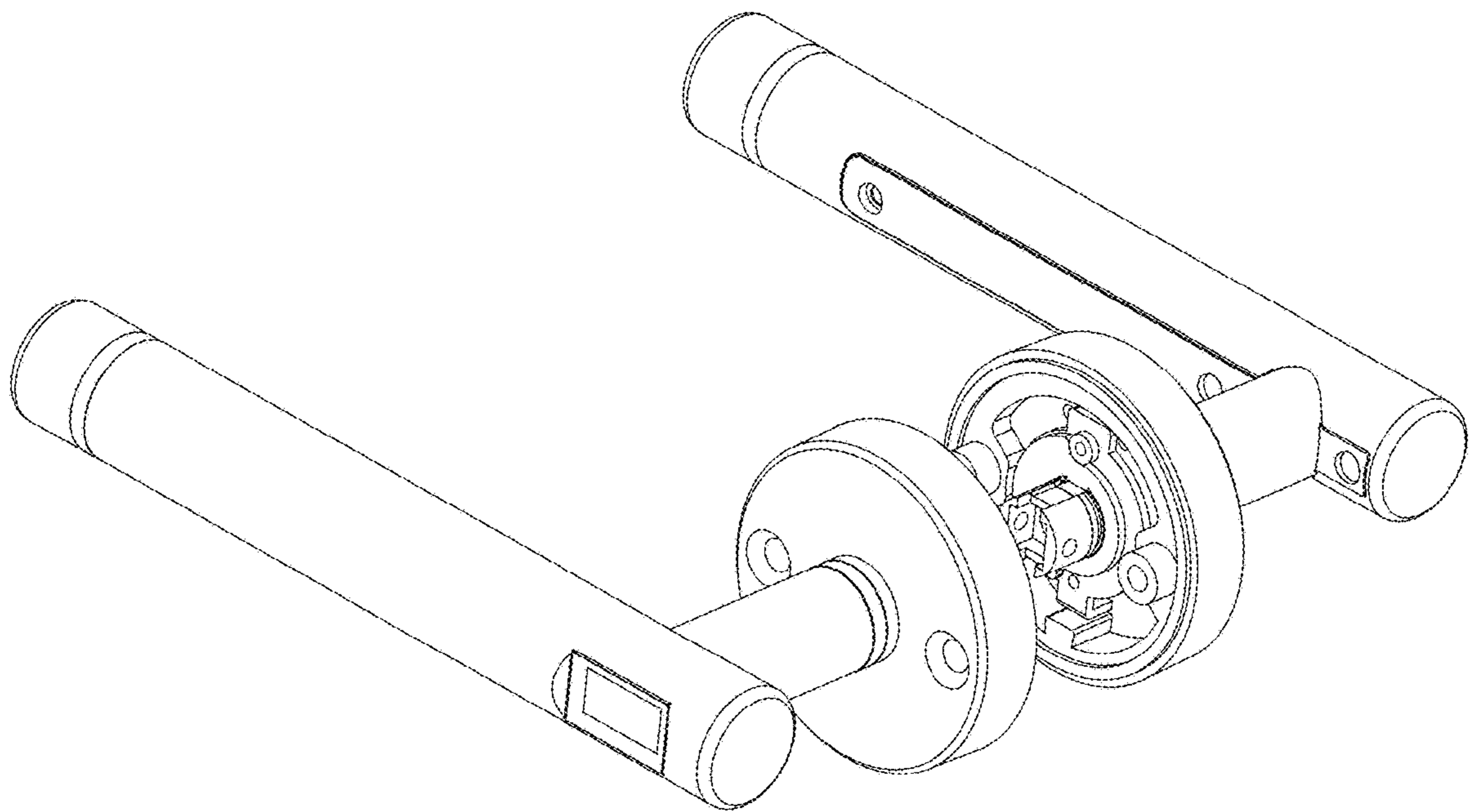


FIG. 8