



US00D931080S

(12) **United States Design Patent** (10) **Patent No.:** **US D931,080 S**  
**Jin** (45) **Date of Patent:** **\*\* Sep. 21, 2021**

(54) **BABY DOOR SAFETY GUARD**  
(71) Applicant: **ZHEJIANG JIKE INDUSTRY & TRADE COMPANY**, Yongkang (CN)  
(72) Inventor: **Zhong Jin**, Yongkang (CN)  
(73) Assignee: **ZHEJIANG JIKE INDUSTRY & TRADE COMPANY**, Yongkang (CN)

(\*\*) Term: **15 Years**

(21) Appl. No.: **29/614,989**

(22) Filed: **Aug. 24, 2017**

(51) **LOC (13) Cl.** ..... **08-07**

(52) **U.S. Cl.**  
USPC ..... **D8/330**  
CPC ..... **E05B 47/0045** (2013.01)

(58) **Field of Classification Search**  
USPC ..... D8/330-348; 292/32-34, 37, 38, 41, 42, 292/137, 138, 140, 141, 145, 251.5, 347, 292/DIG. 37; 312/215; 70/208  
CPC ..... E05B 65/0014; E05B 65/0025; E05B 65/0028; E05B 65/0085; E05B 65/44; E05B 65/46; E05B 65/461; E05B 65/462; E05B 65/463; E05B 65/464; E05B 65/466; E05B 65/469; E05B 13/00; E05B 47/0045; A47F 3/00; A47F 3/005; A47F 3/007; A47F 7/024

See application file for complete search history.

(56) **References Cited**

**U.S. PATENT DOCUMENTS**

3,938,839 A \* 2/1976 Collier ..... E05B 65/0894 292/258  
5,842,359 A \* 12/1998 Longueira ..... E05C 19/182 70/14

6,484,542 B1 \* 11/2002 Klingler ..... E05B 13/002 292/288  
D620,341 S \* 7/2010 Rechberg ..... D8/339  
D621,687 S \* 8/2010 Lundh ..... D8/331  
D795,675 S \* 8/2017 Howse ..... D8/346  
9,909,035 B1 \* 3/2018 Caldeira ..... B32B 7/06  
D840,212 S \* 2/2019 Huang ..... D8/331  
D842,680 S \* 3/2019 Huang ..... D8/330  
D850,886 S \* 6/2019 Huang ..... D8/331  
D851,478 S \* 6/2019 Huang ..... D8/331  
D887,816 S \* 6/2020 Marsden ..... D8/331  
D901,280 S \* 11/2020 Jin ..... D8/336  
D907,884 S \* 1/2021 Montes ..... D34/35  
D916,580 S \* 4/2021 Xu ..... D8/336  
2018/0363328 A1 \* 12/2018 Huang ..... E05B 65/0014  
2019/0153746 A1 \* 5/2019 Wang ..... E05B 13/002

\* cited by examiner

*Primary Examiner* — Richard E Chilcot  
(74) *Attorney, Agent, or Firm* — Yong Chen

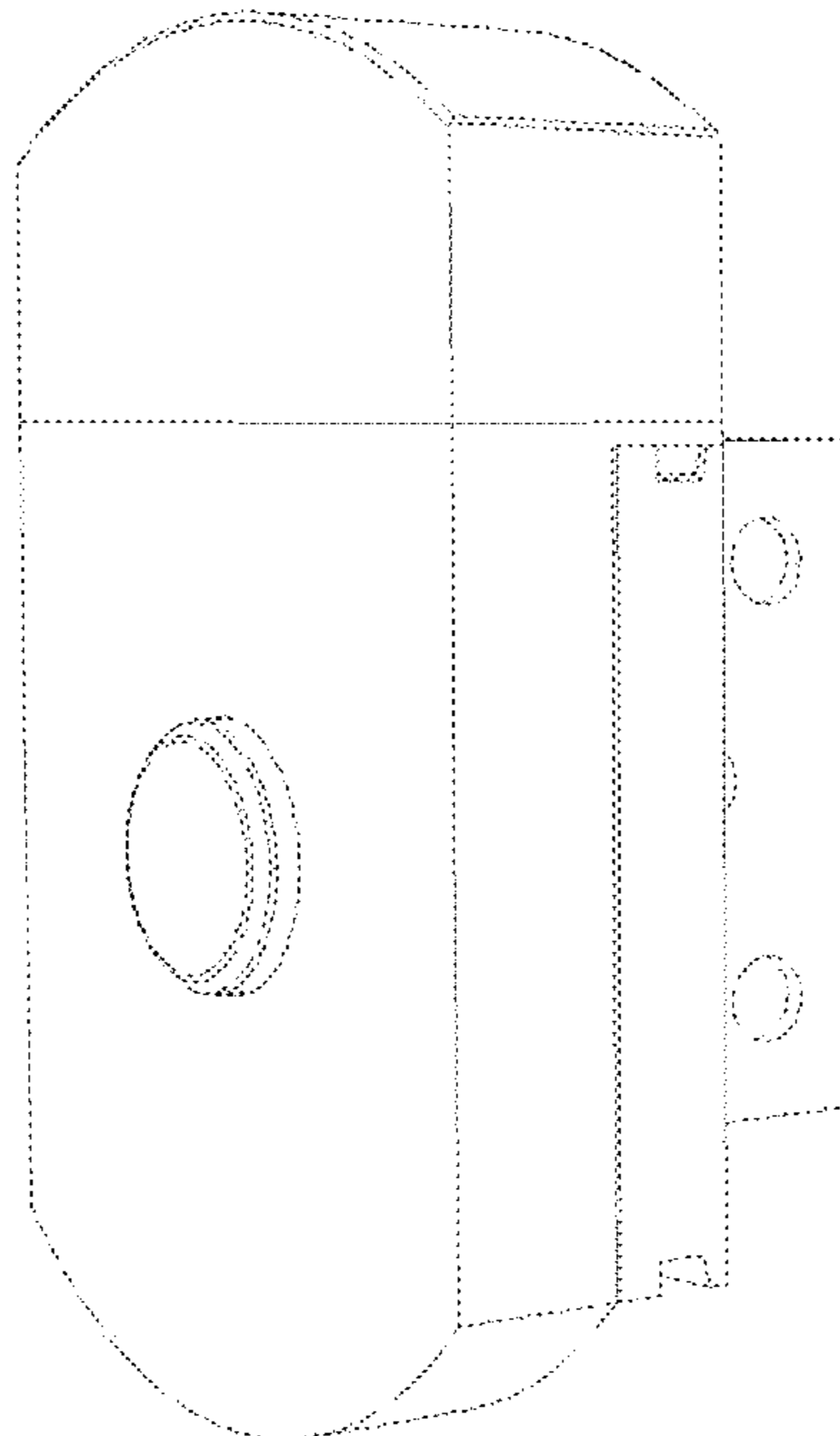
(57) **CLAIM**

The ornamental design for a baby door safety guard, as shown and described.

**DESCRIPTION**

FIG. 1 is a first perspective view of a baby door safety guard of the present invention.  
FIG. 2 is a second perspective view thereof.  
FIG. 3 is a third perspective view thereof.  
FIG. 4 is a front view thereof.  
FIG. 5 is a back view thereof.  
FIG. 6 is a left view thereof.  
FIG. 7 is a right view thereof.  
FIG. 8 is a top view thereof; and,  
FIG. 9 is a bottom view thereof.

**1 Claim, 9 Drawing Sheets**



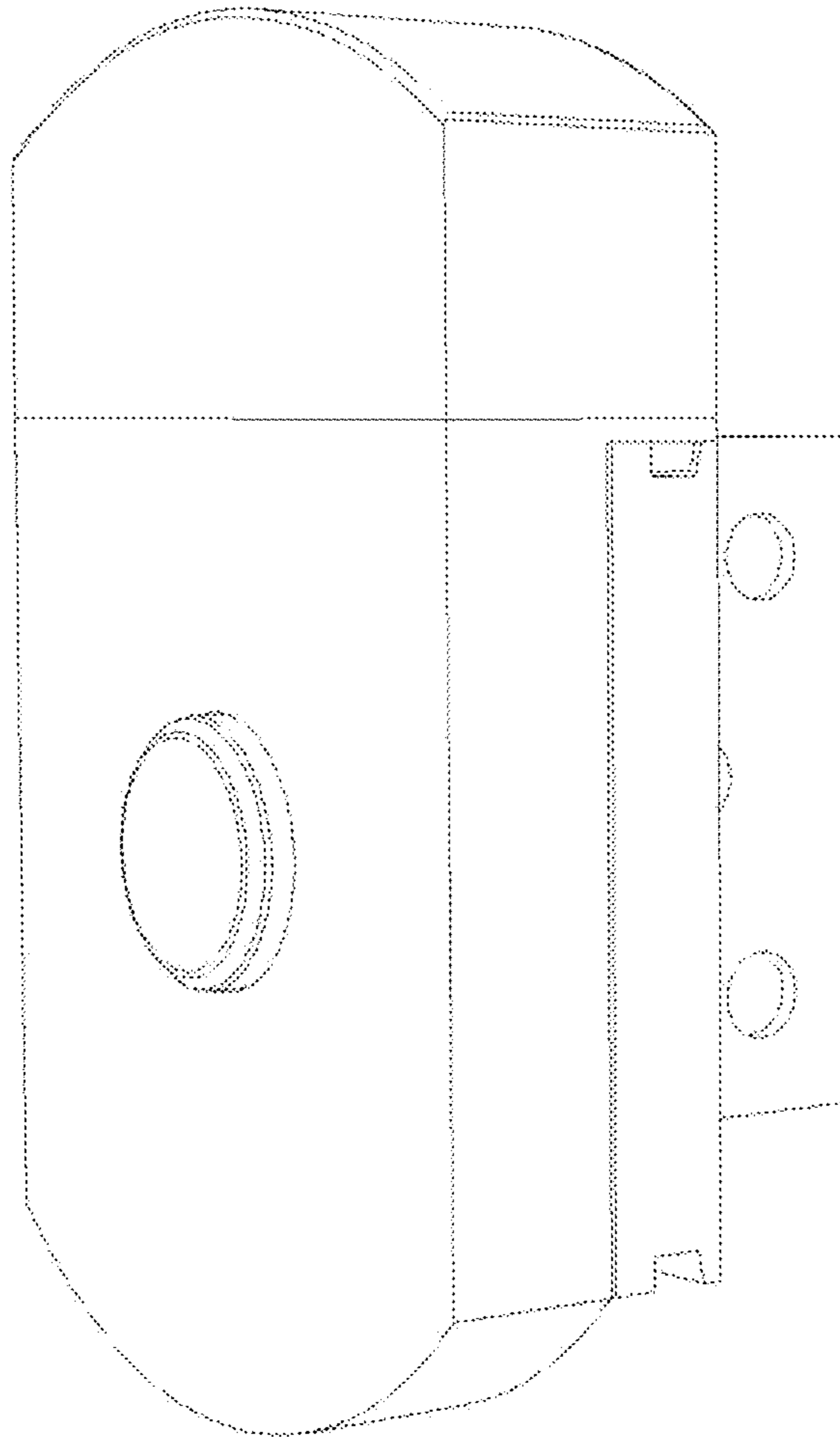


FIG. 1

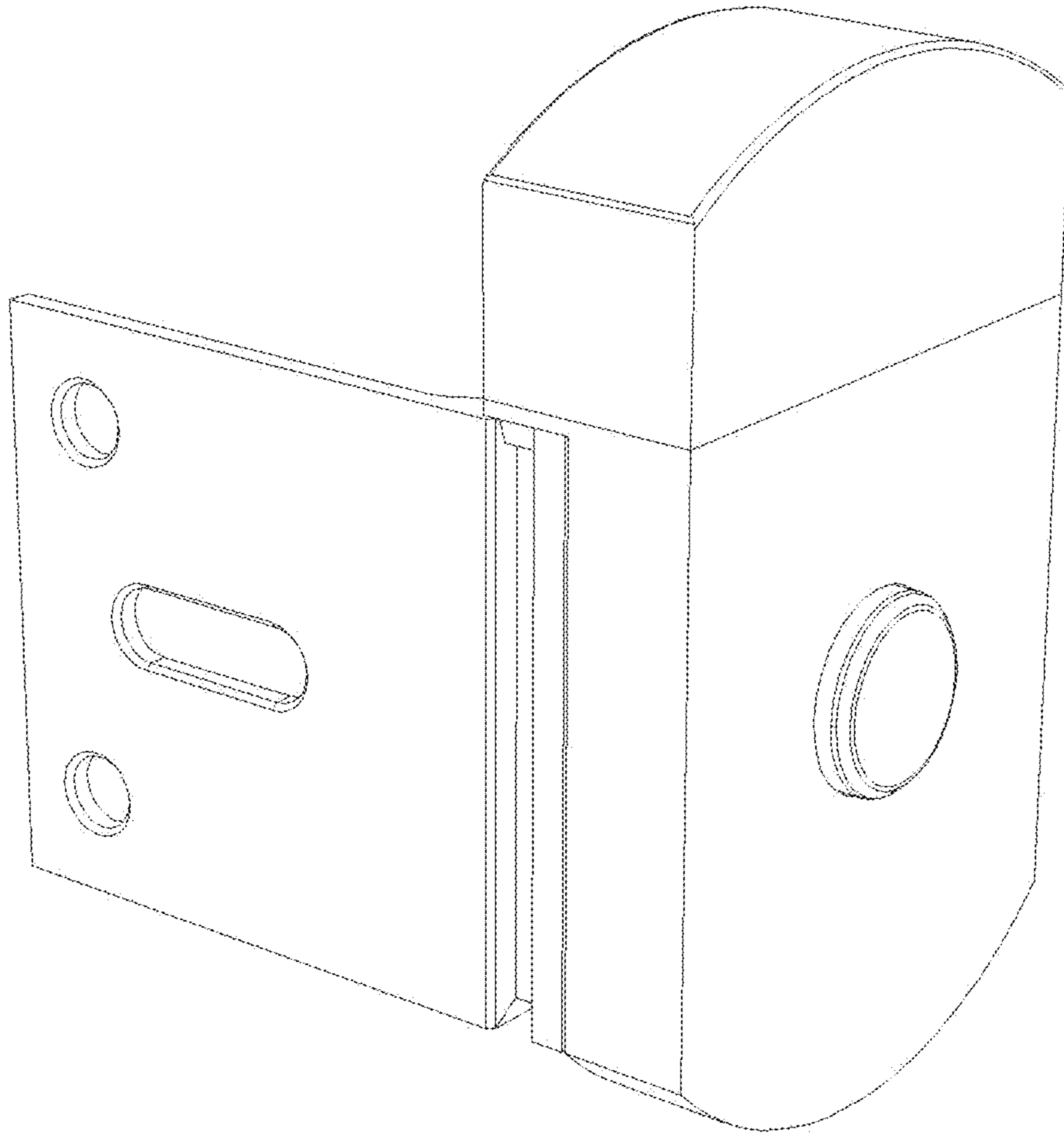


FIG. 2

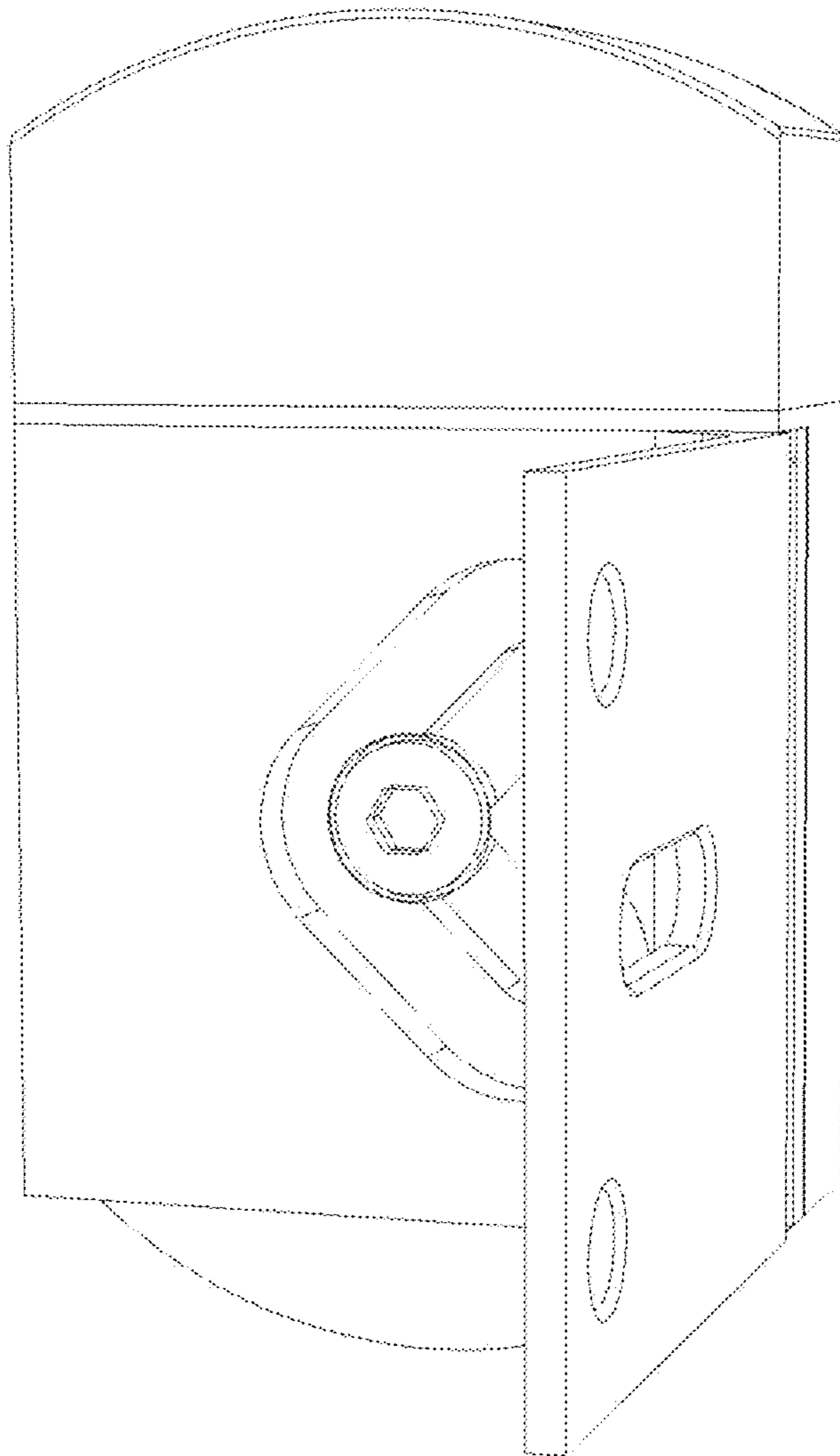


FIG. 3

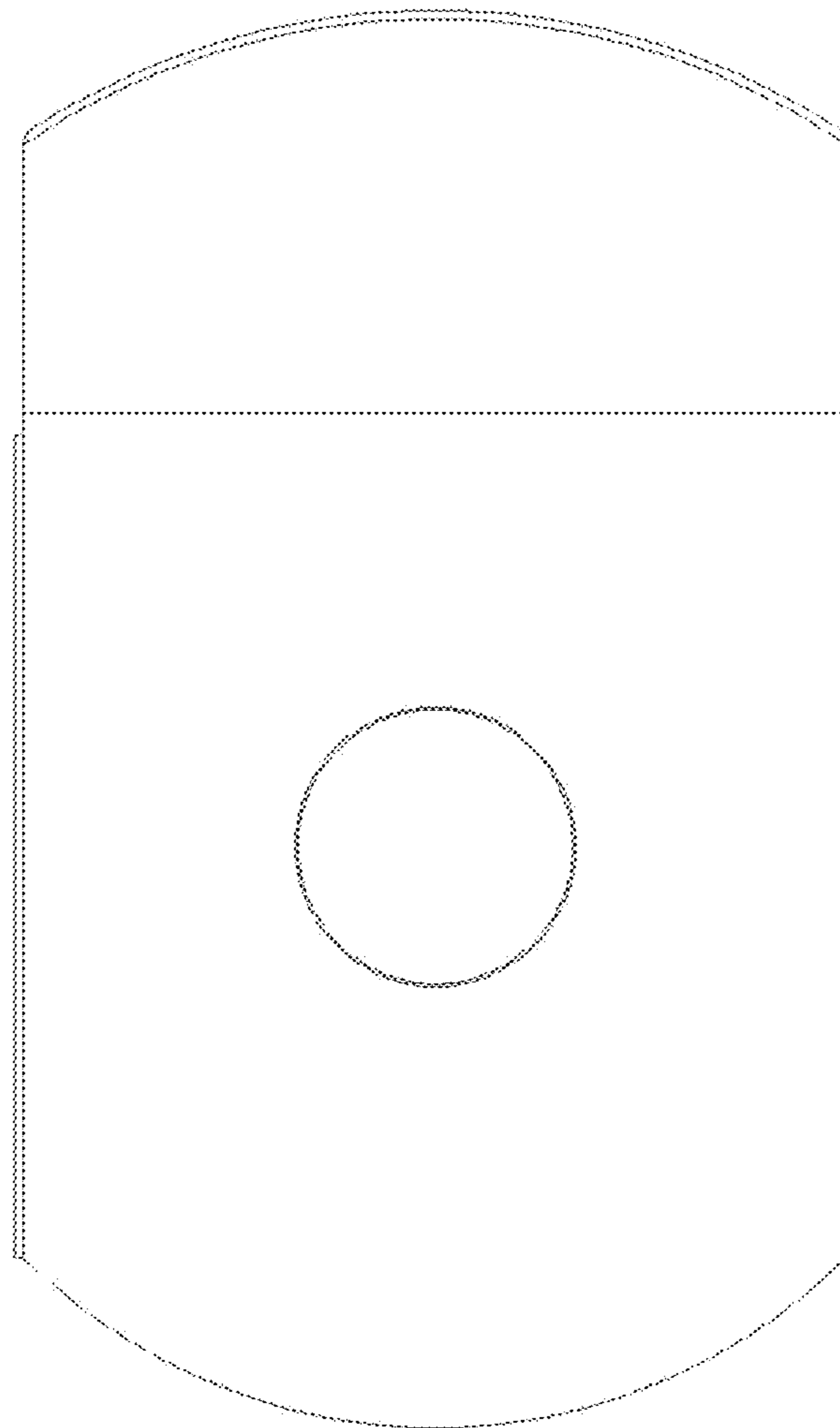


FIG. 4

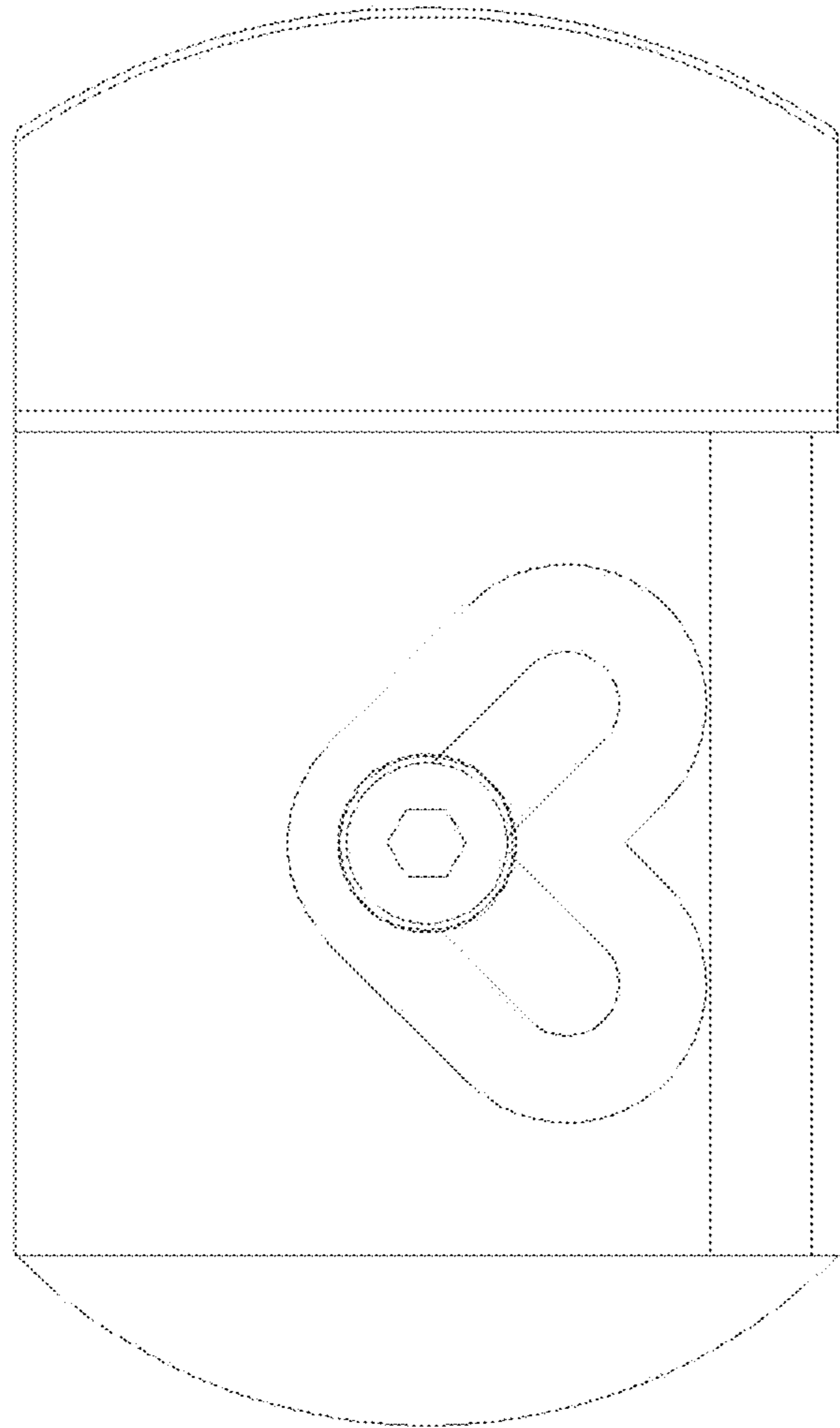


FIG. 5

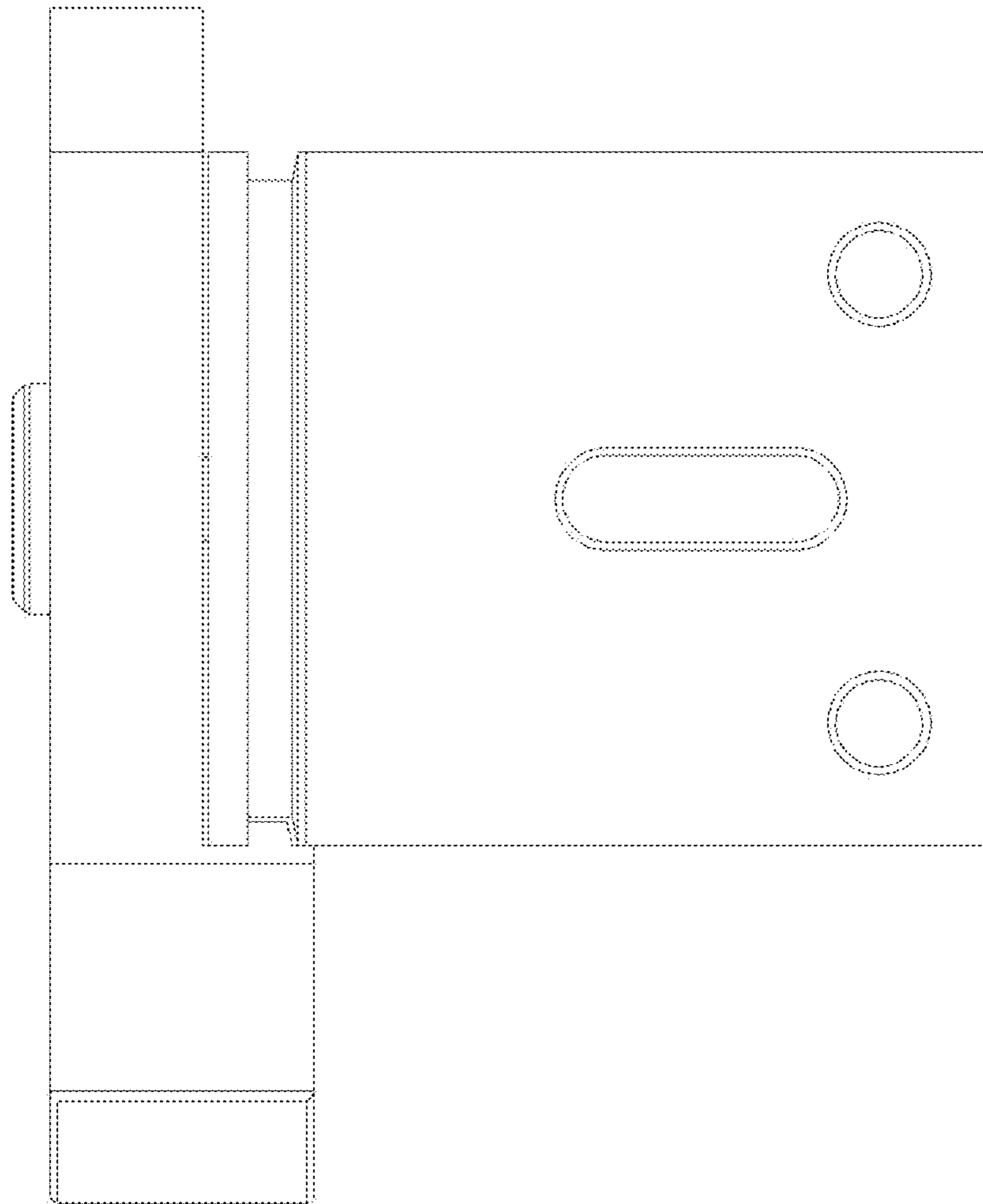


FIG. 6

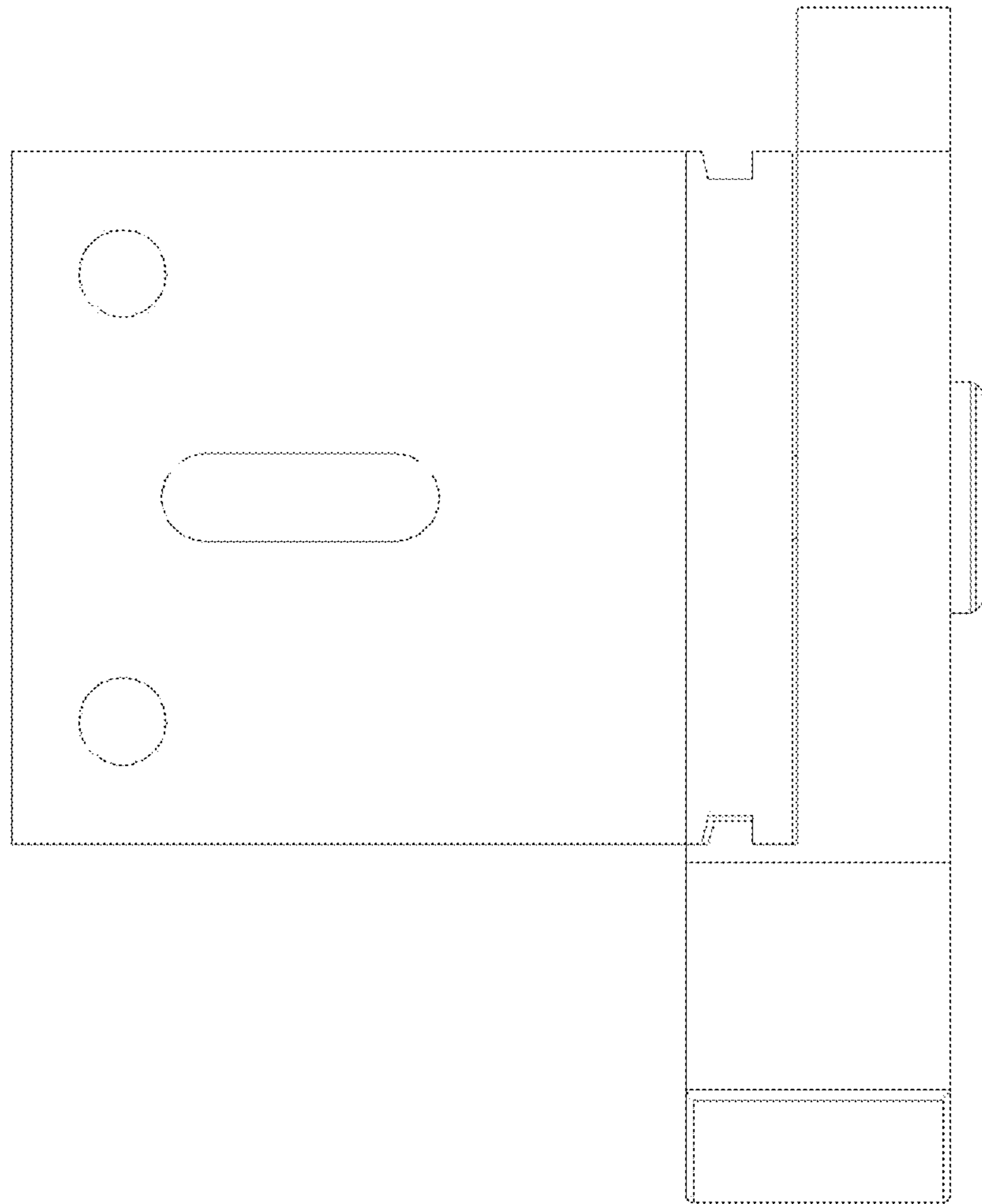


FIG. 7



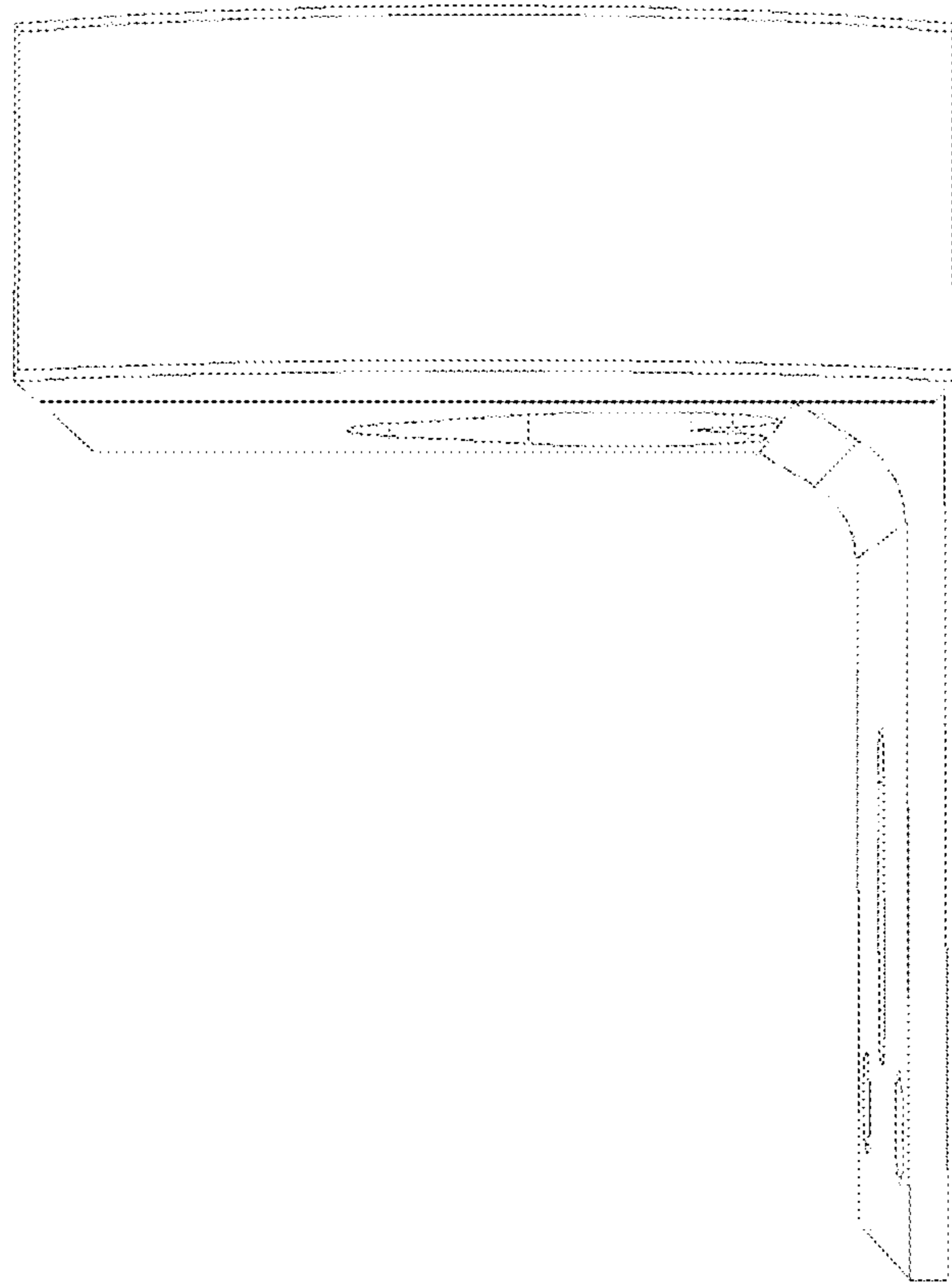


FIG. 8

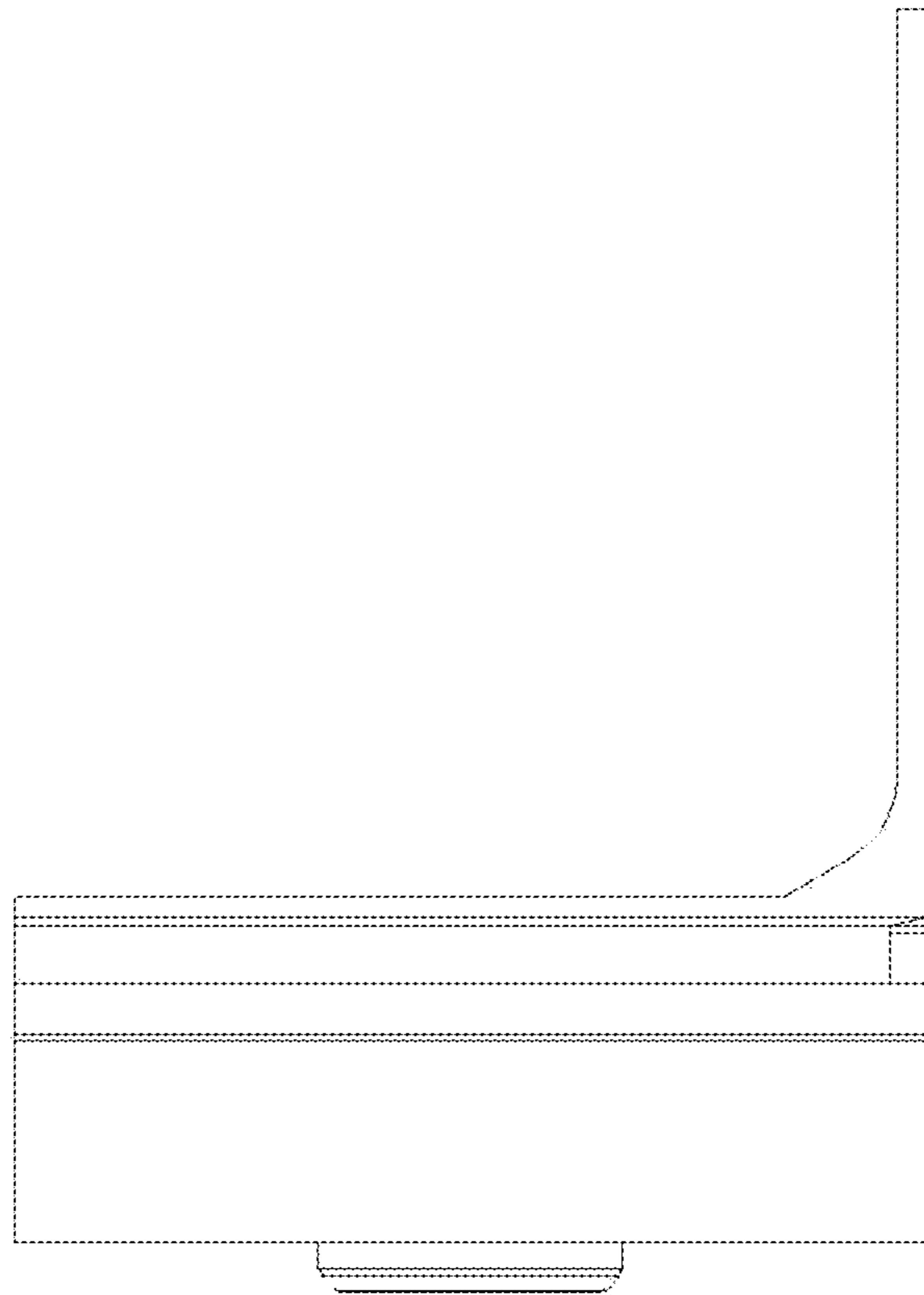


FIG. 9