



US00D931078S

(12) **United States Design Patent** (10) **Patent No.:** **US D931,078 S**
Huang (45) **Date of Patent:** **** Sep. 21, 2021**

(54) **SELECTOR LEVER RECESS**
(71) Applicant: **Battlearms IP, LLC**, Henderson, NV (US)
(72) Inventor: **George Huang**, Henderson, NV (US)
(73) Assignee: **Battlearms IP, LLC**, Henderson, NV (US)
(**) Term: **15 Years**

(21) Appl. No.: **29/753,439**

(22) Filed: **Sep. 30, 2020**

Related U.S. Application Data

(60) Continuation-in-part of application No. 29/600,620, filed on Apr. 13, 2017, now Pat. No. Des. 904,854, (Continued)

(51) **LOC (13) Cl.** **08-06**

(52) **U.S. Cl.**
USPC **D8/308; D22/108**

(58) **Field of Classification Search**
USPC D8/107, 300-309, 321, 330, 331, 343, D8/346, 347, 349; D23/250-254, 264; D21/694; D34/10, 11; D7/393, 394, D7/548; D22/108
CPC . Y10T 16/476; Y10T 16/466; Y10T 16/4713; Y10T 16/469; Y10T 16/44; Y10T 74/20828; Y10T 279/17982; Y10T 29/49826; Y10T 74/20732; Y10T 74/20864; Y10T 16/4559; Y10T 408/96; Y10T 279/17957; Y10T 16/459; Y10T (Continued)

(56) **References Cited**

U.S. PATENT DOCUMENTS

5,251,533 A * 10/1993 Layton F41A 19/33 89/129.02
D343,564 S * 1/1994 Donofrio D8/308 (Continued)

Primary Examiner — Lauren R Calve
(74) *Attorney, Agent, or Firm* — Shaddock Law Group, PC

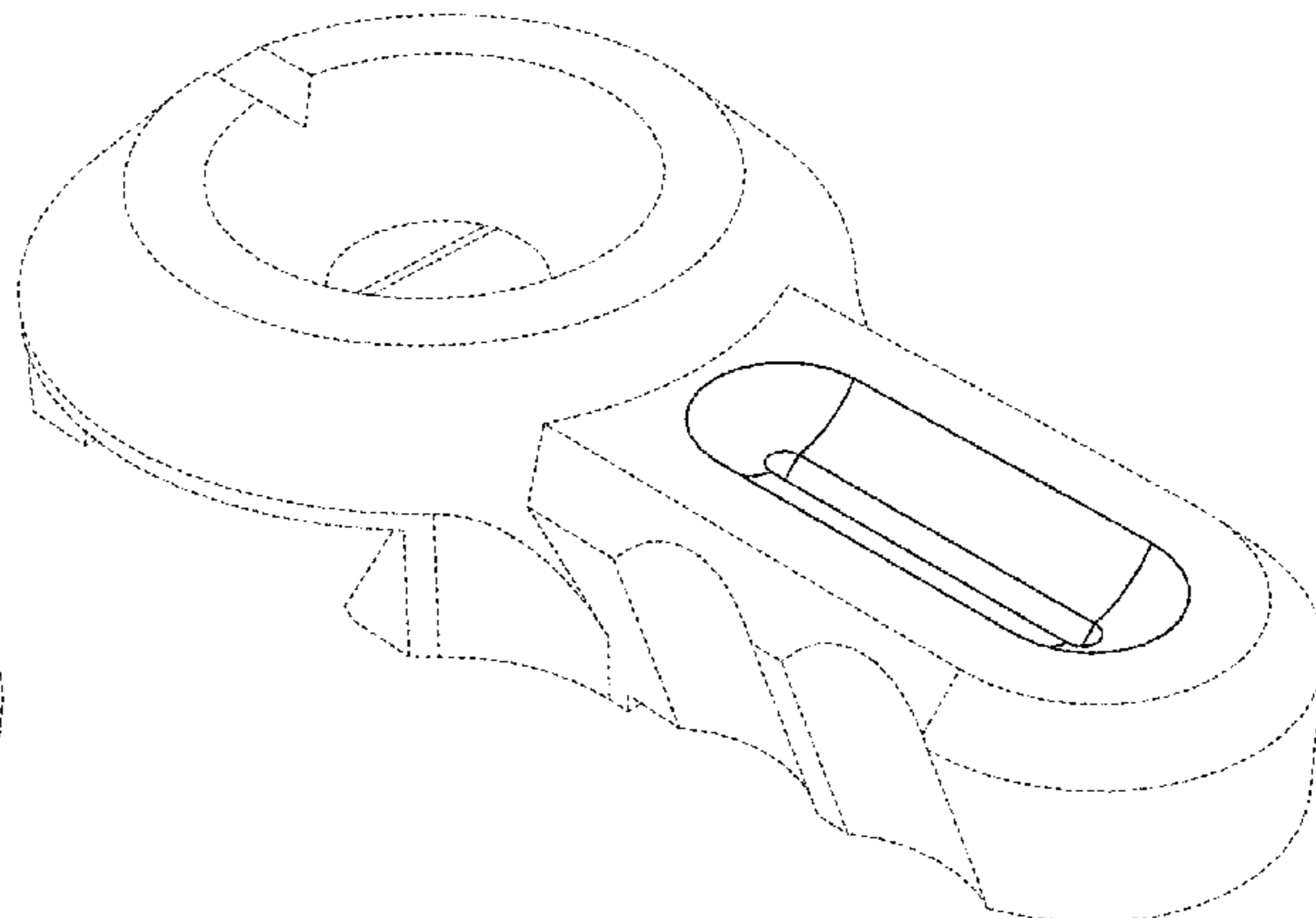
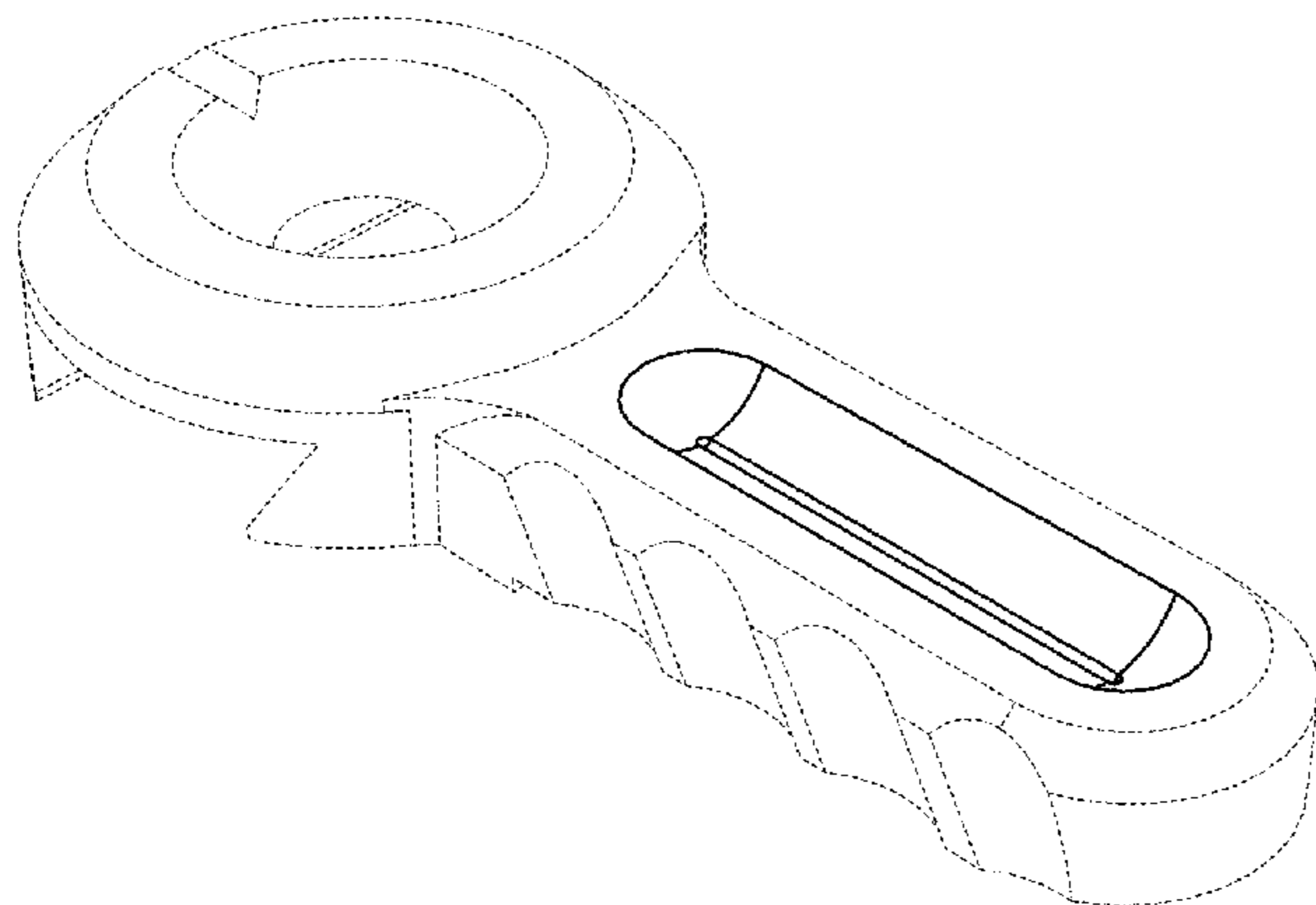
(57) **CLAIM**

The ornamental design for a selector lever recess, as shown and described.

DESCRIPTION

FIG. 1 is an upper rear perspective view of a selector lever recess, showing my new design;
FIG. 2 is an upper front perspective view thereof;
FIG. 3 is a right side view thereof;
FIG. 4 is a left side view thereof;
FIG. 5 is a top view thereof;
FIG. 6 is a bottom view thereof;
FIG. 7 is a front view thereof;
FIG. 8 is a rear view thereof;
FIG. 9 is a cross-sectional, right side view thereof, taken along line 9-9 of FIG. 8;
FIG. 10 is a cross-sectional, right side view thereof, taken along line 10-10 of FIG. 3;
FIG. 11 is an upper rear perspective view of a selector lever recess according to a second embodiment;
FIG. 12 is an upper front perspective view thereof;
FIG. 13 is a right side view thereof;
FIG. 14 is a left side view thereof;
FIG. 15 is a top view thereof;
FIG. 16 is a bottom view thereof;
FIG. 17 is a front view thereof;
FIG. 18 is a rear view thereof;
FIG. 19 is a cross-sectional, right side view thereof, taken along lines 19-19 of FIG. 18; and,
FIG. 20 is a cross-sectional, right side view thereof, taken along line 20-20 of FIG. 13.
The broken lines shown throughout the various figures depict additional structures that form no part of the claimed design.

1 Claim, 10 Drawing Sheets



US D931,078 S

Page 2

Related U.S. Application Data

which is a division of application No. 29/491,527, filed on May 22, 2014, now Pat. No. Des. 786,649, which is a continuation-in-part of application No. 13/068,287, filed on May 7, 2011, now Pat. No. 8,806,790.

(58) Field of Classification Search

CPC 407/1825; Y10T 74/2078; Y10T 74/20822; Y10T 29/53; Y10T 29/537; B25G 1/102; B25G 1/00; B25G 1/10; B25G 3/00; Y10S 16/12; Y10S 16/19; Y10S 16/906; Y10S 56/18; B26B 3/00; B26B 5/00; B26B 13/20; B26B 1/10

See application file for complete search history.

(56)

References Cited

U.S. PATENT DOCUMENTS

D508,196 S * 8/2005 Pieters D8/308
D566,520 S * 4/2008 Samhammer D8/331

D639,378 S * 6/2011 Burt D22/108
8,276,502 B1 * 10/2012 Wright F41A 17/64
89/148
8,806,790 B1 * 8/2014 Huang F41A 17/74
42/70.08
D723,646 S * 3/2015 Keezer D22/108
9,587,897 B1 * 3/2017 Huang F41A 17/70
D786,649 S * 5/2017 Huang D8/308
D834,131 S * 11/2018 Geissele D22/108
D856,457 S * 8/2019 Montes D22/108
D896,610 S * 9/2020 Huang D8/308
D904,854 S * 12/2020 Huang D8/308
2013/0111796 A1 * 5/2013 Dionne F41A 17/00
42/70.11
2016/0018176 A1 * 1/2016 Fellows F41A 19/14
42/69.03
2016/0187089 A1 * 6/2016 Wengender F41A 17/64
42/70.04
2017/0122686 A1 * 5/2017 Fellows F41A 17/74
2017/0176122 A1 * 6/2017 Underwood F41A 11/00
2017/0299304 A1 * 10/2017 Otte, Jr. F41A 19/46
2017/0299309 A1 * 10/2017 Fellows F41A 19/43

* cited by examiner

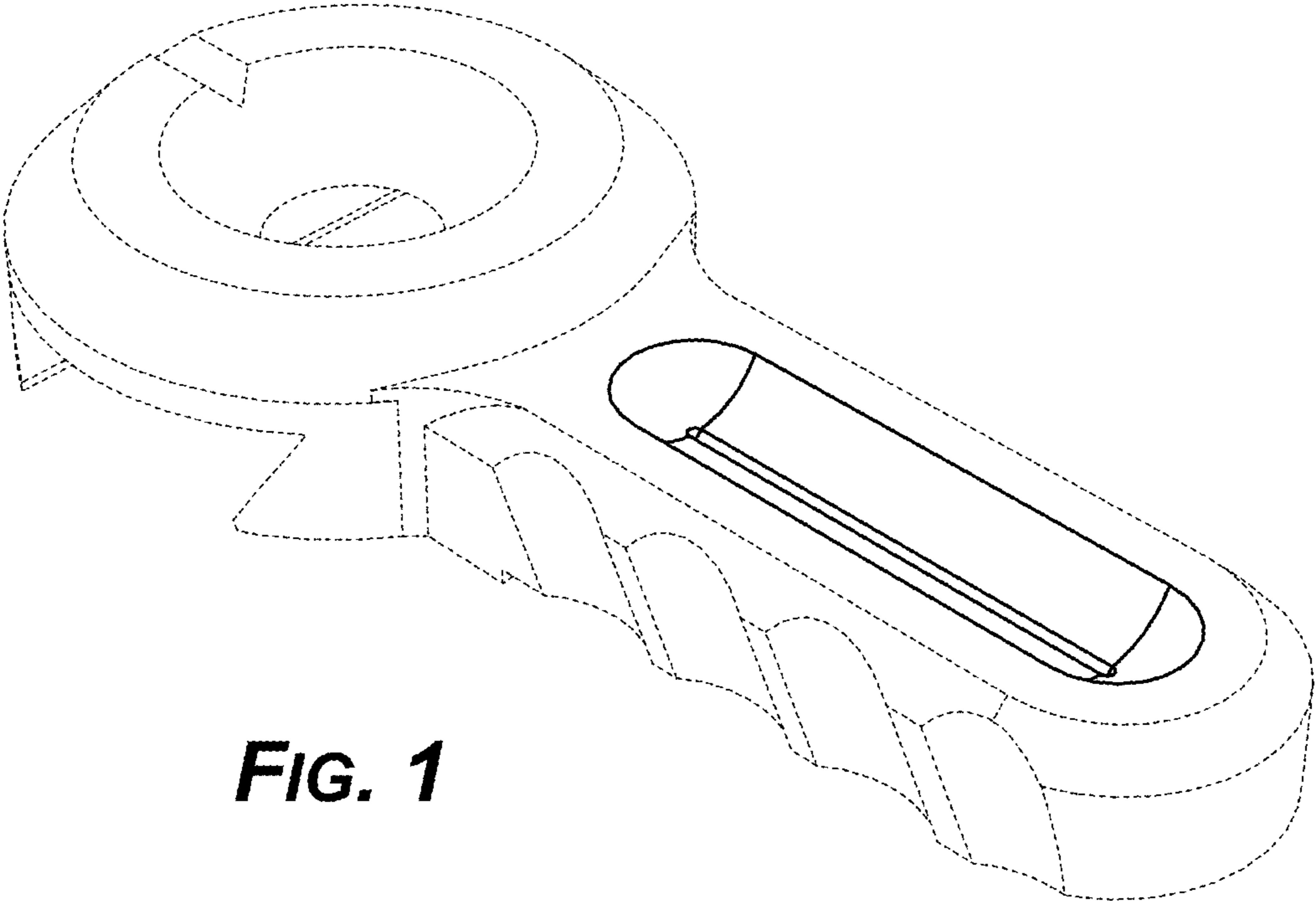


FIG. 1

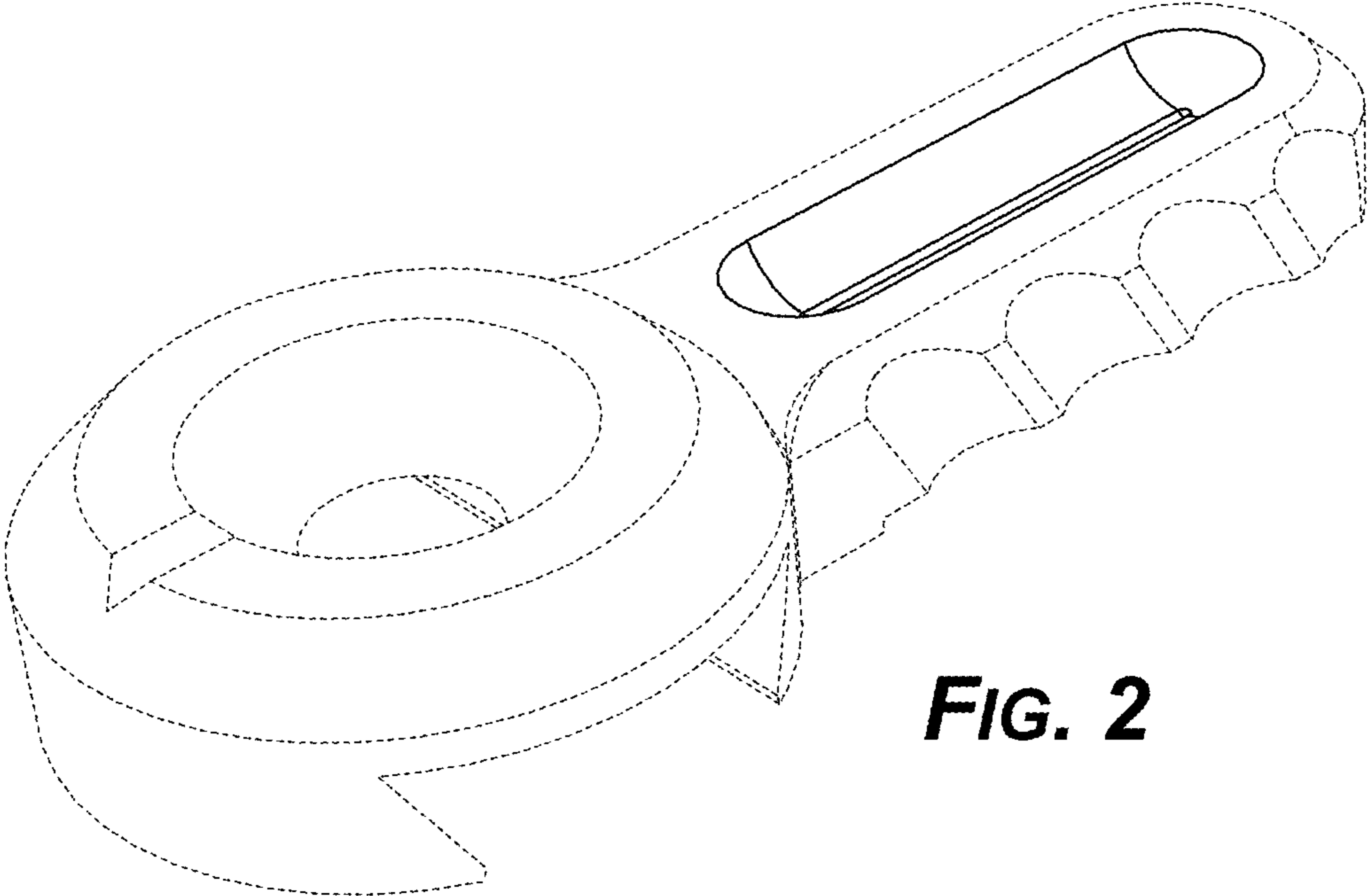


FIG. 2

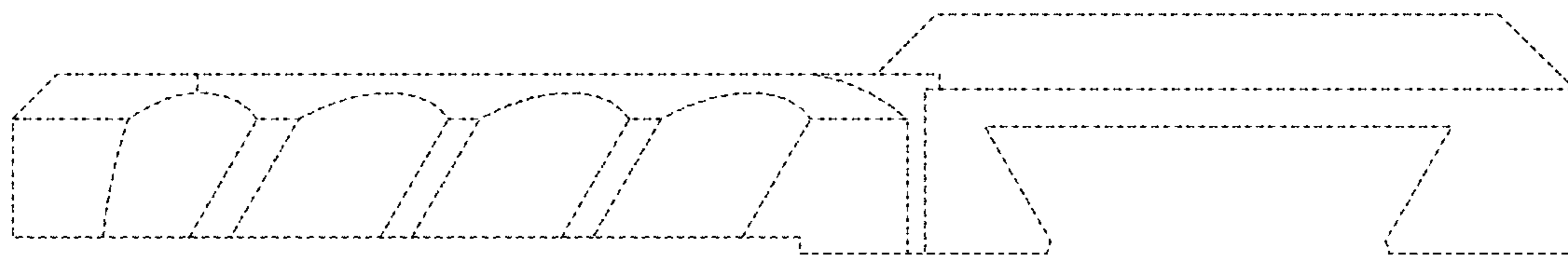
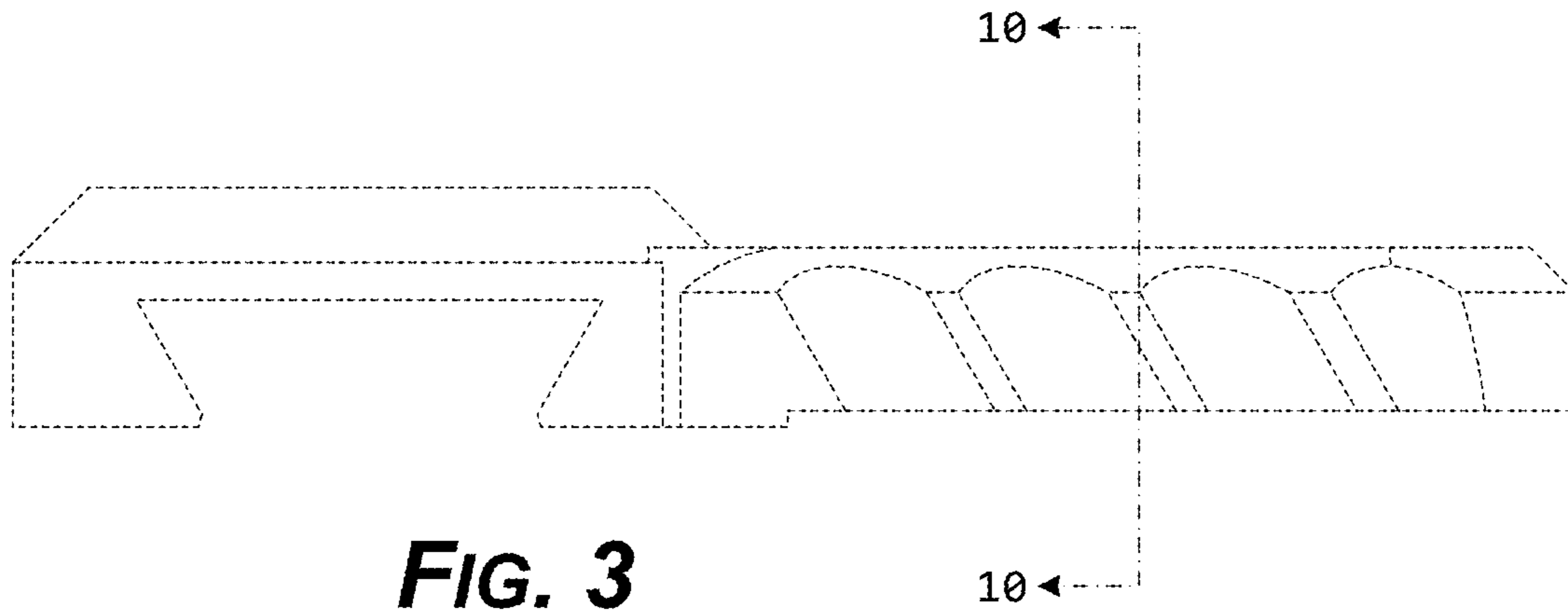


FIG. 4

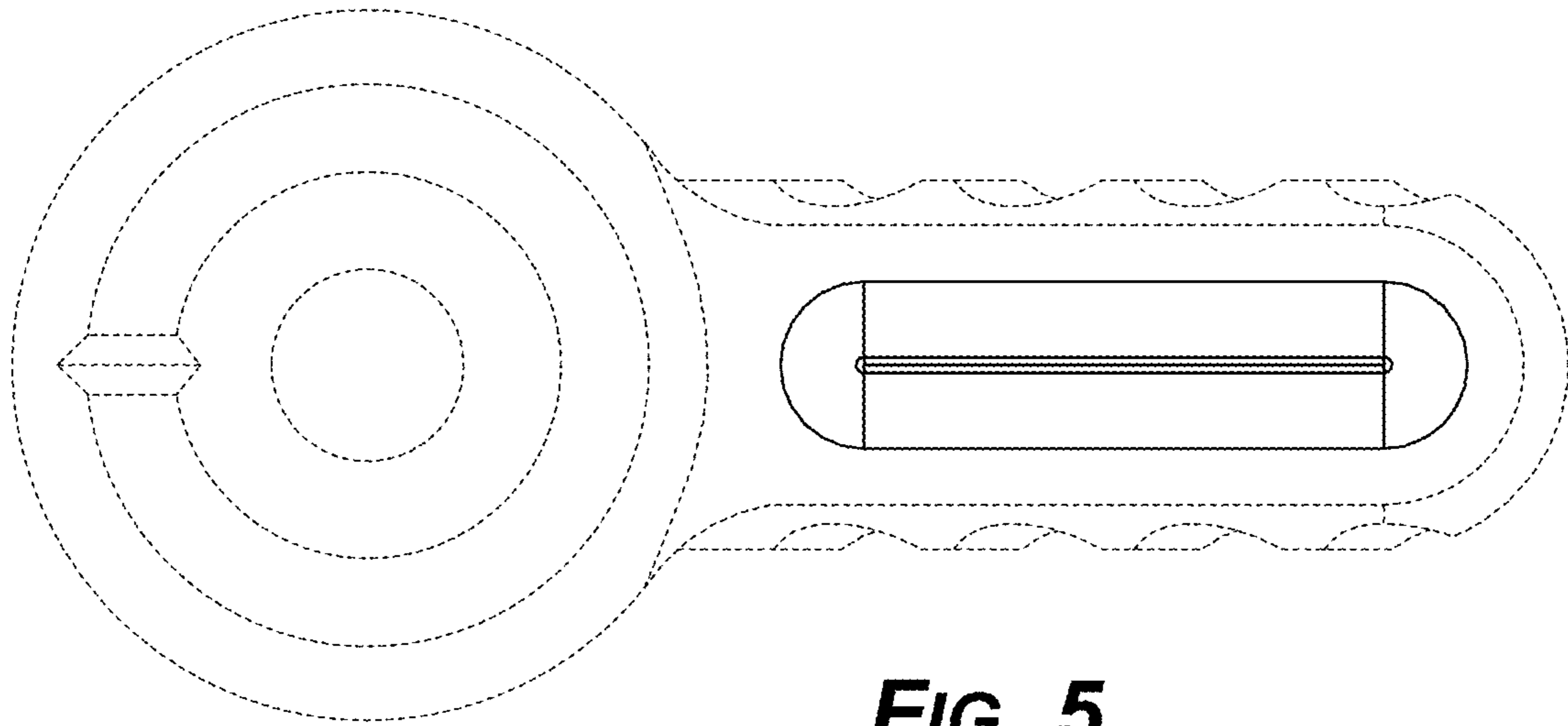


FIG. 5

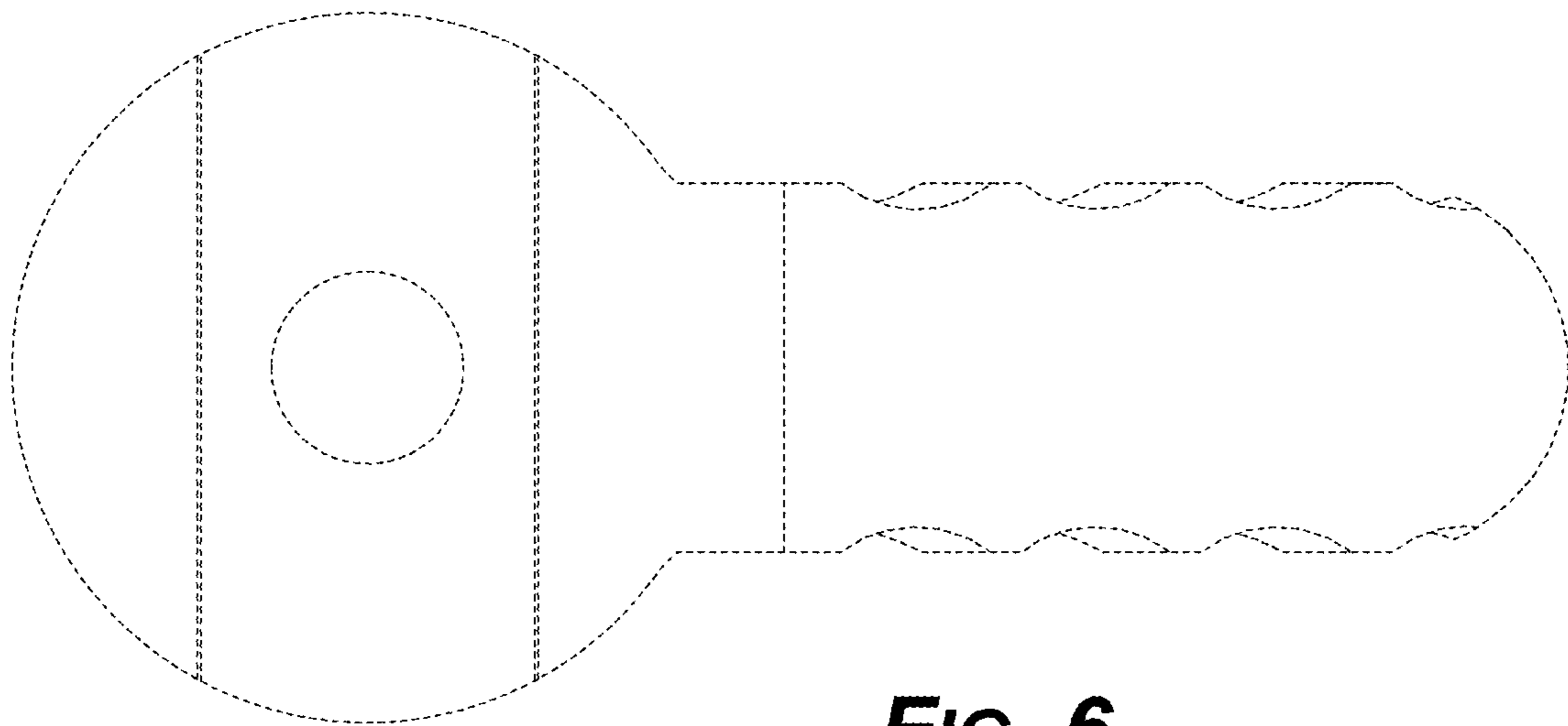


FIG. 6

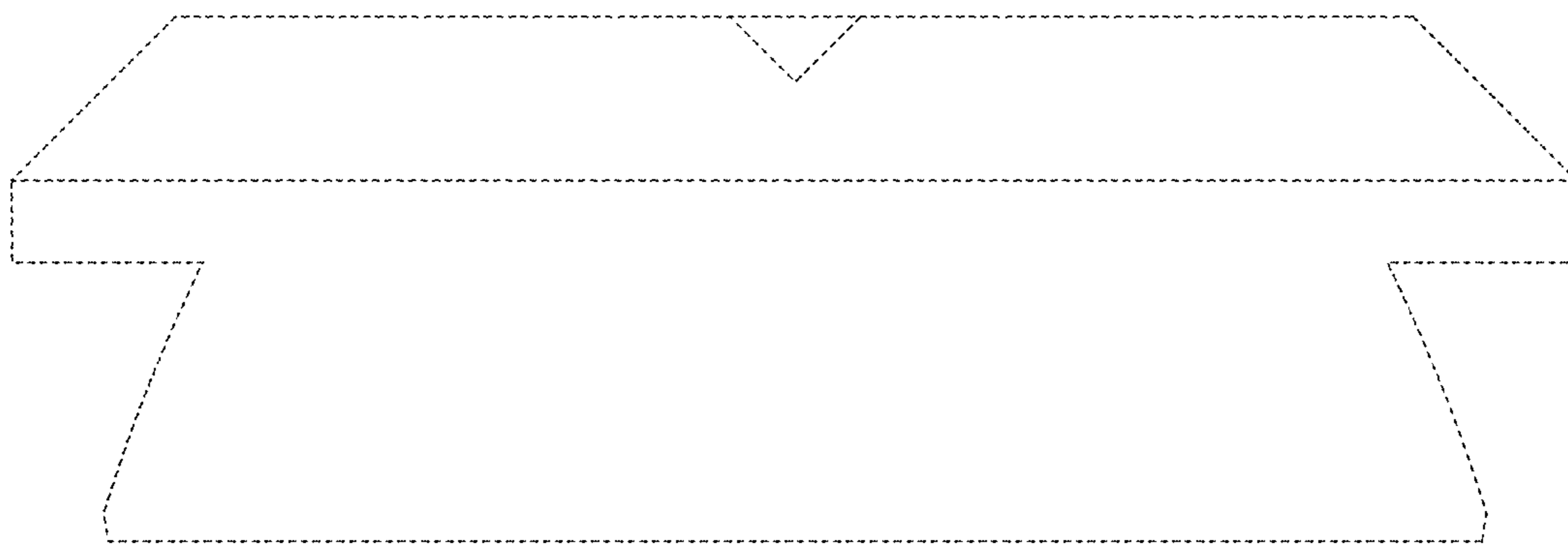


FIG. 7

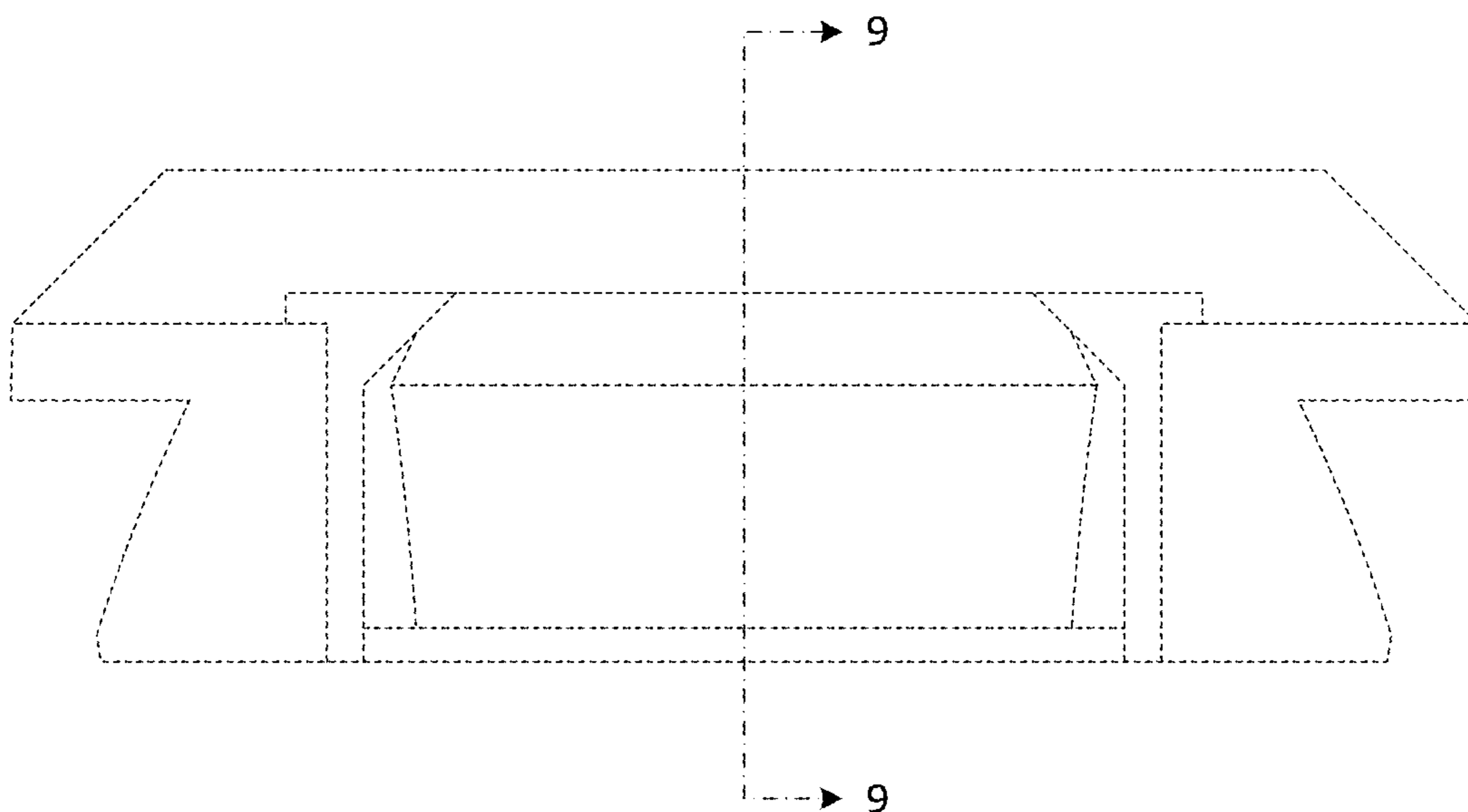


FIG. 8

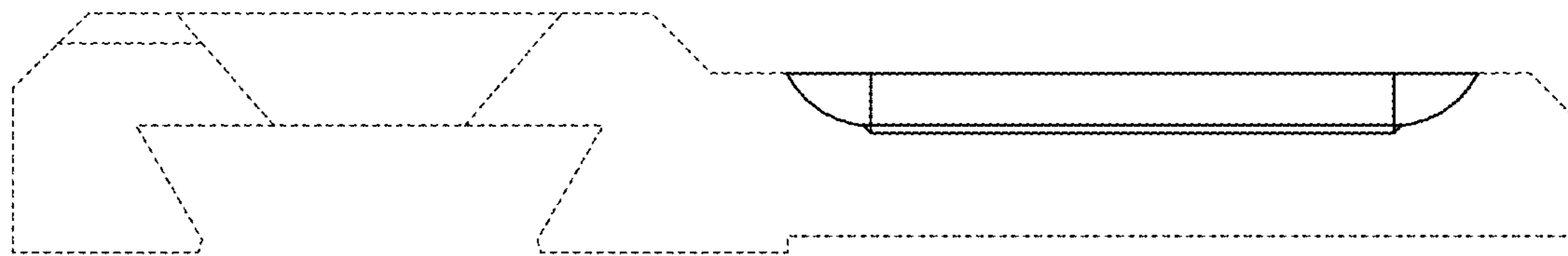


FIG. 9

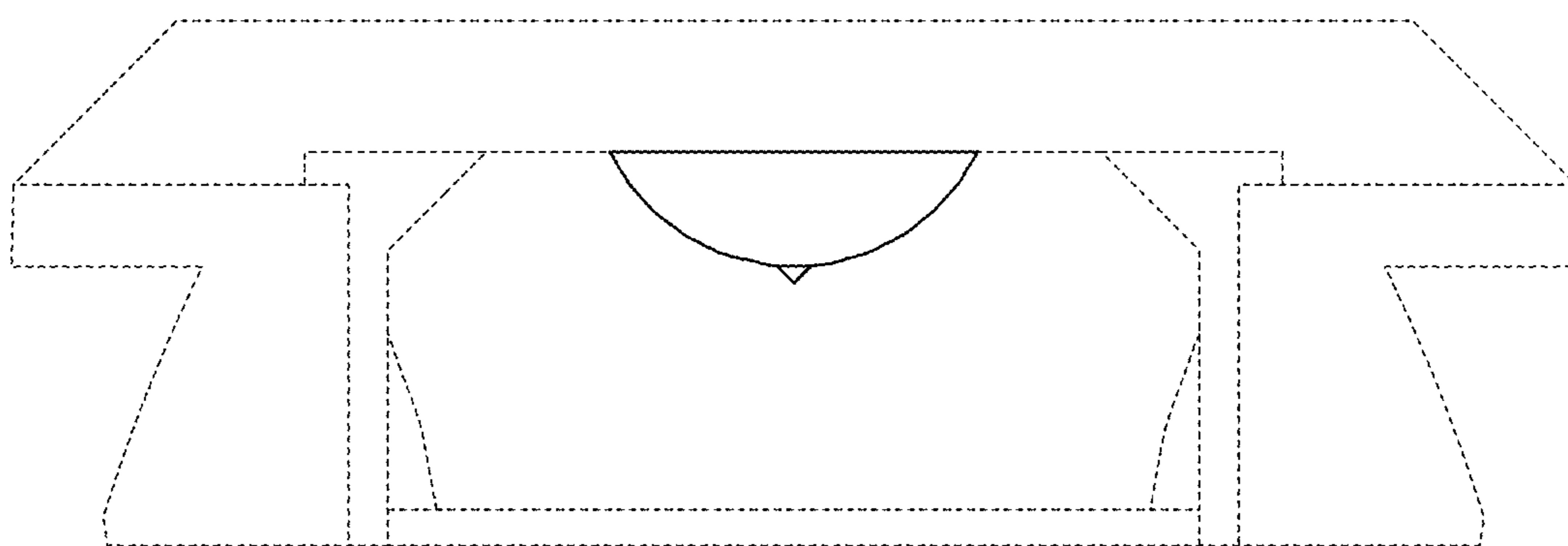


FIG. 10

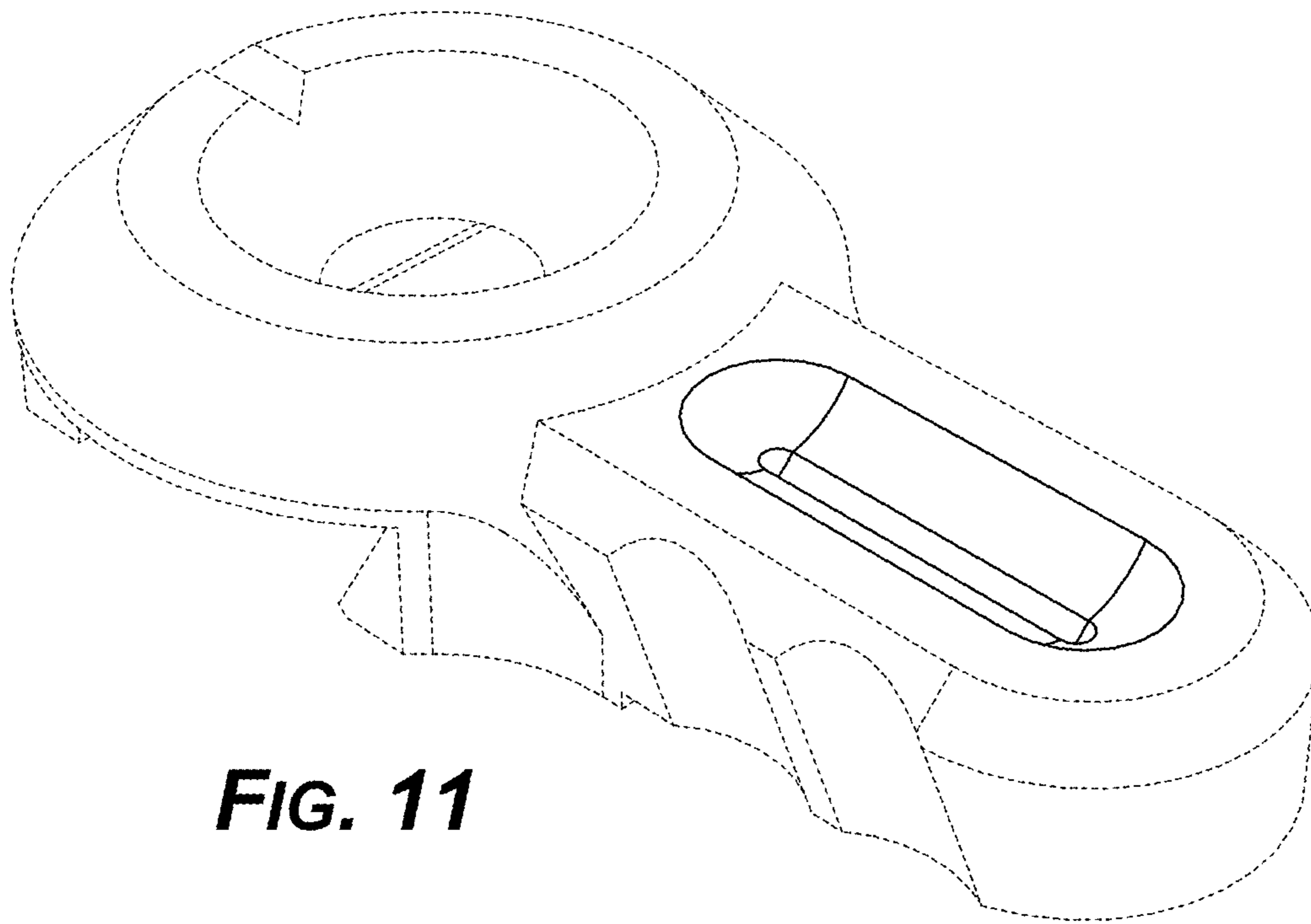


FIG. 11

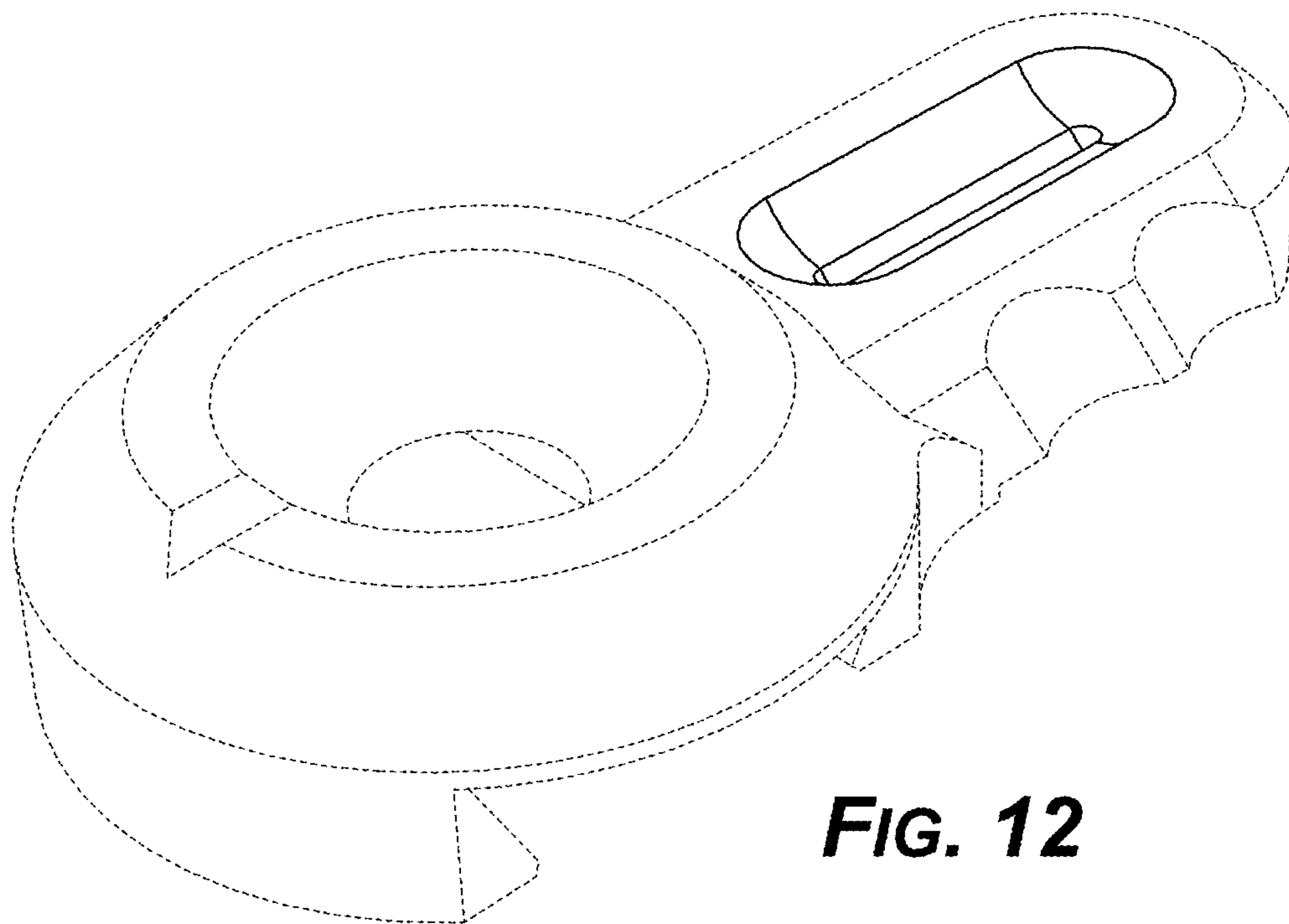


FIG. 12

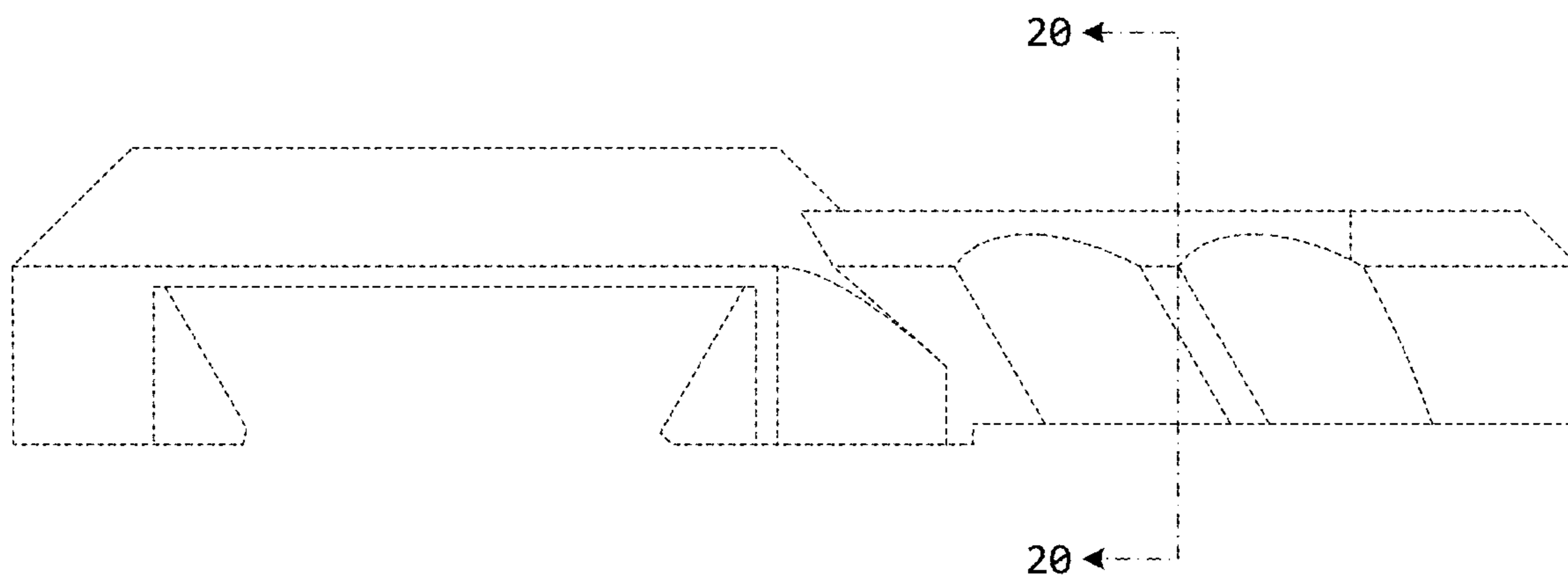


FIG. 13

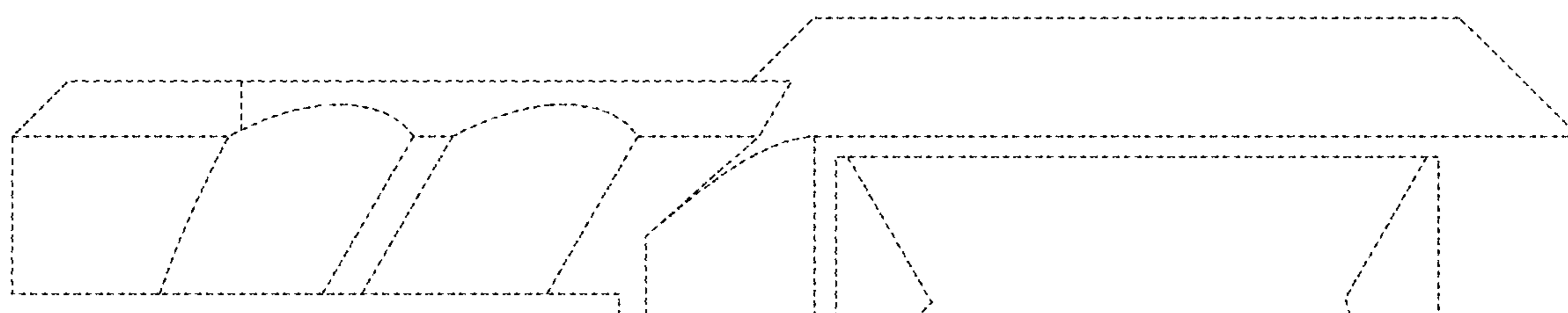
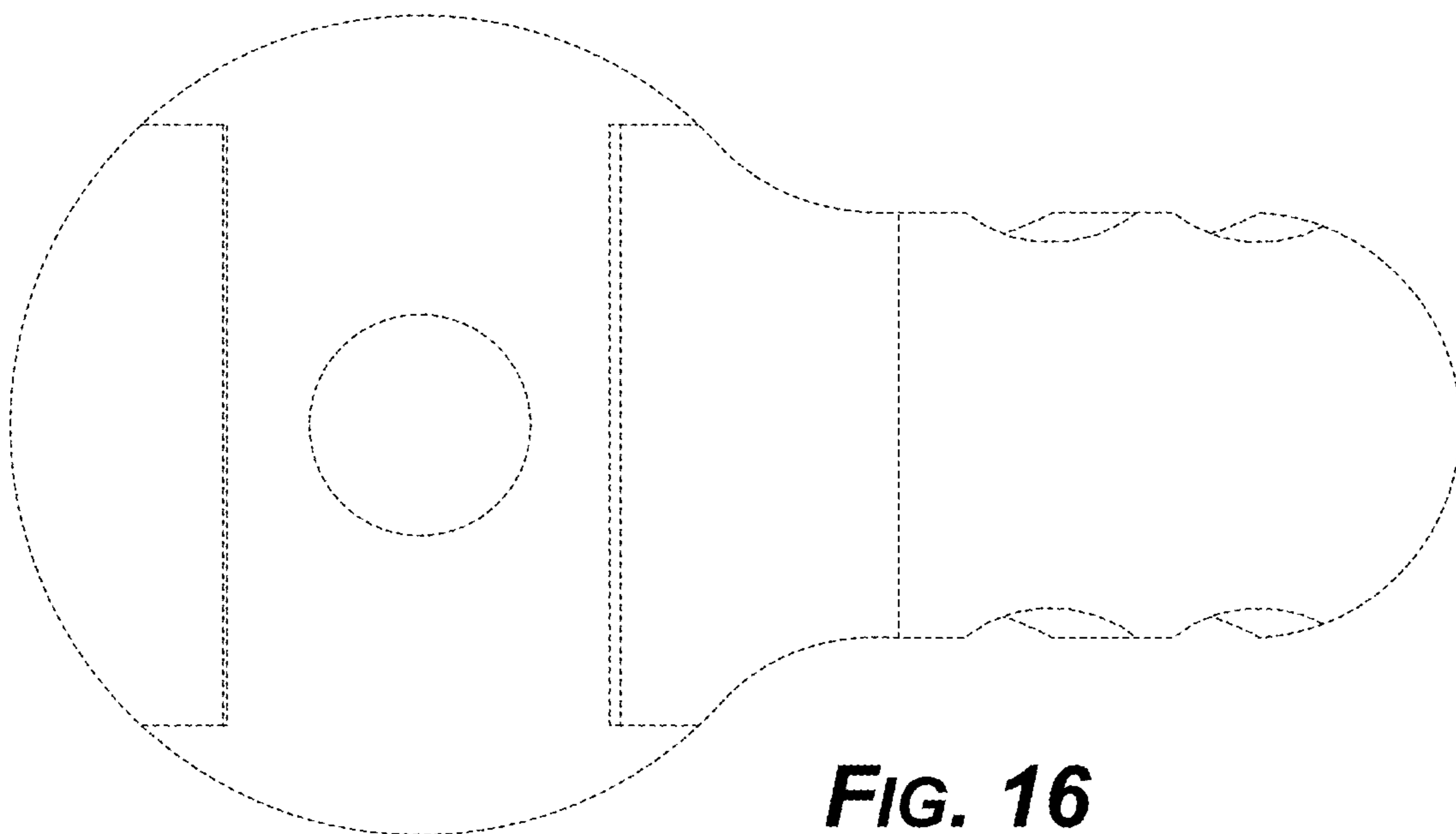
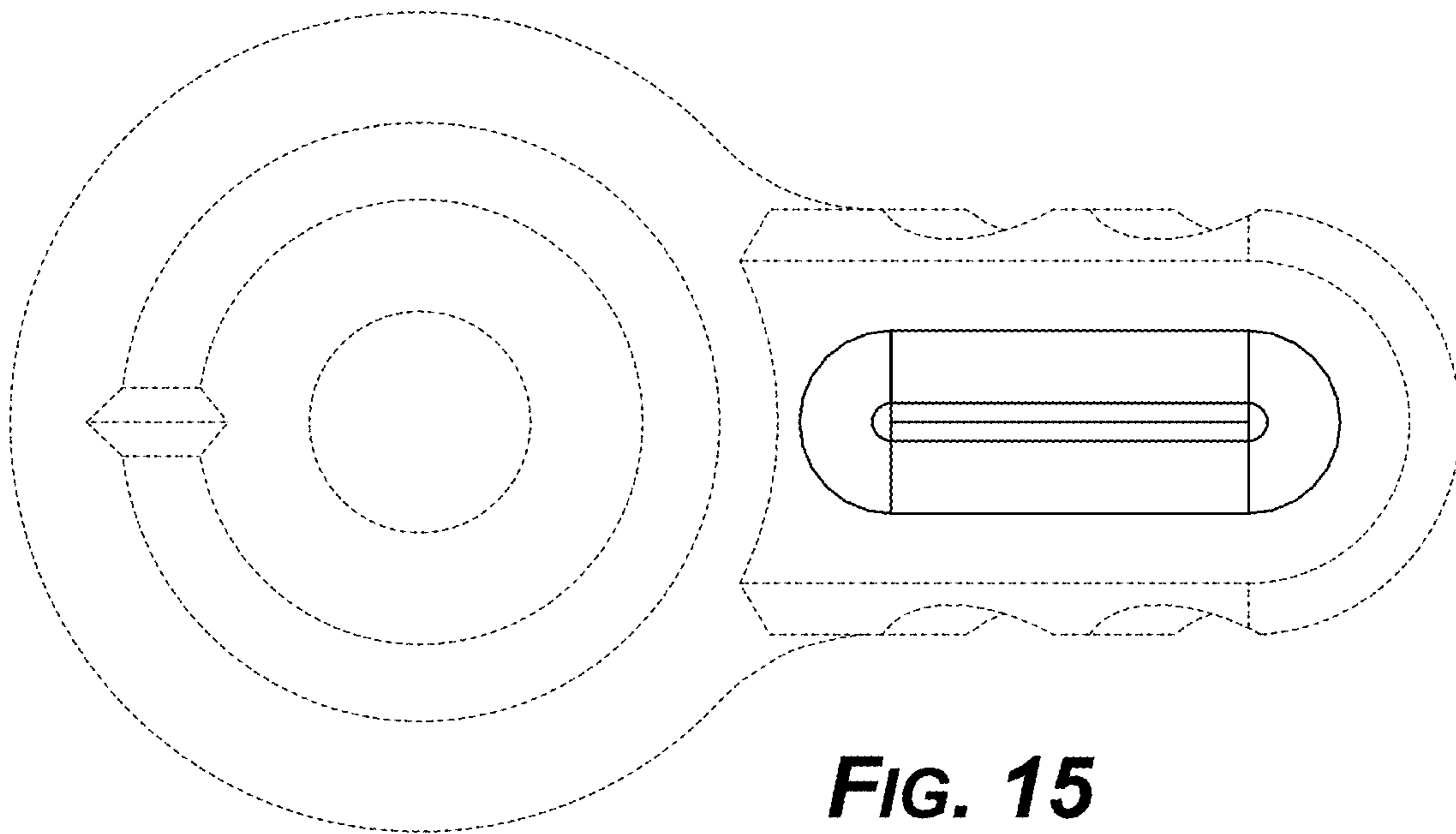


FIG. 14



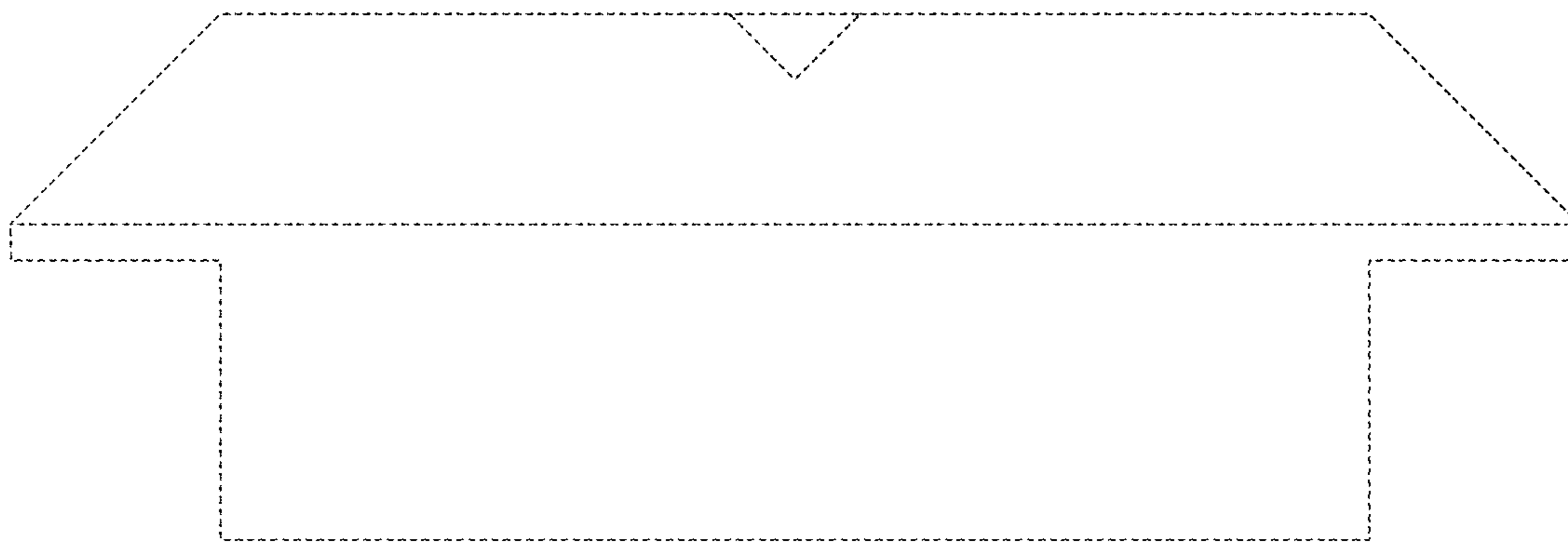


FIG. 17

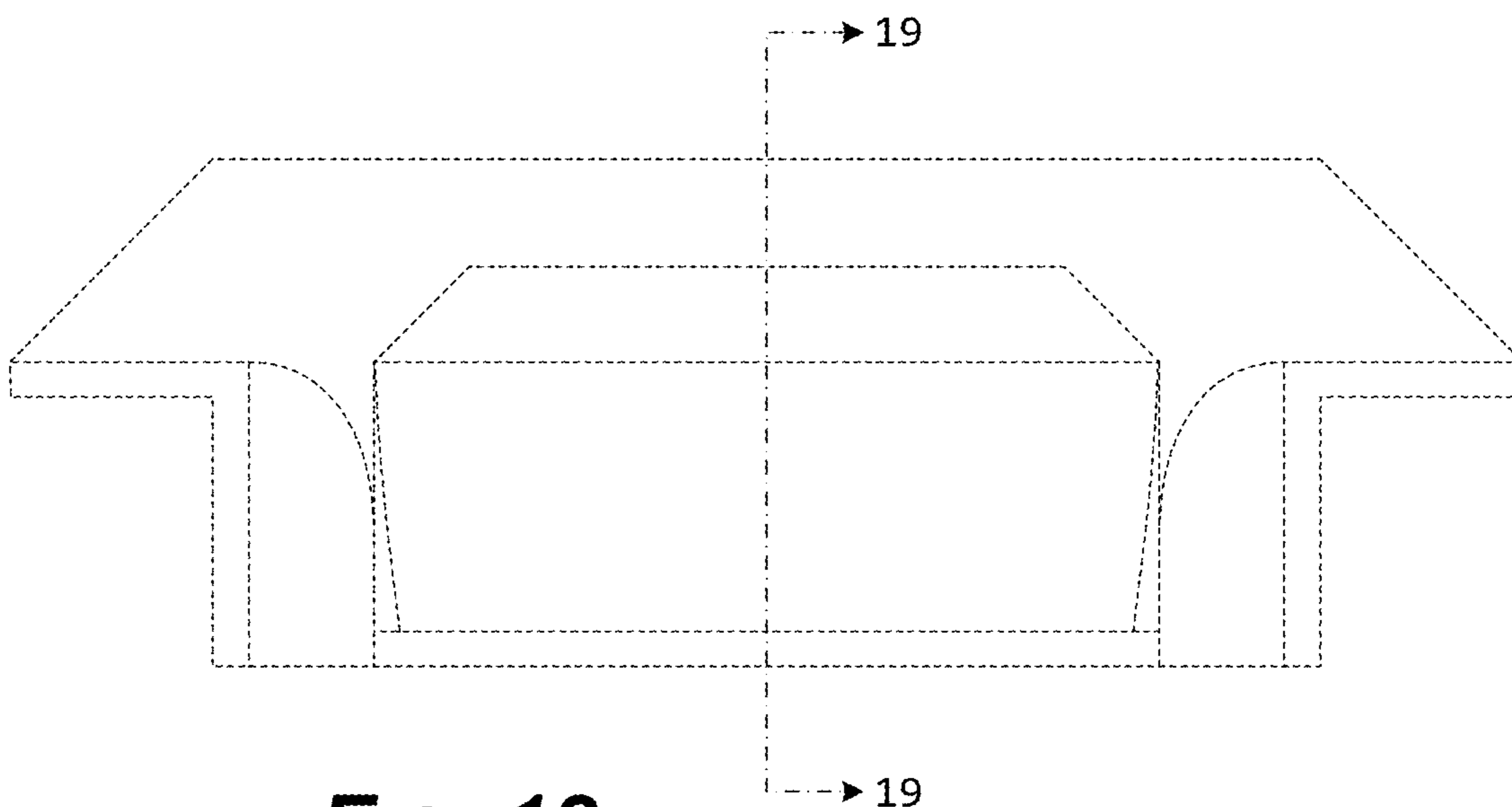


FIG. 18

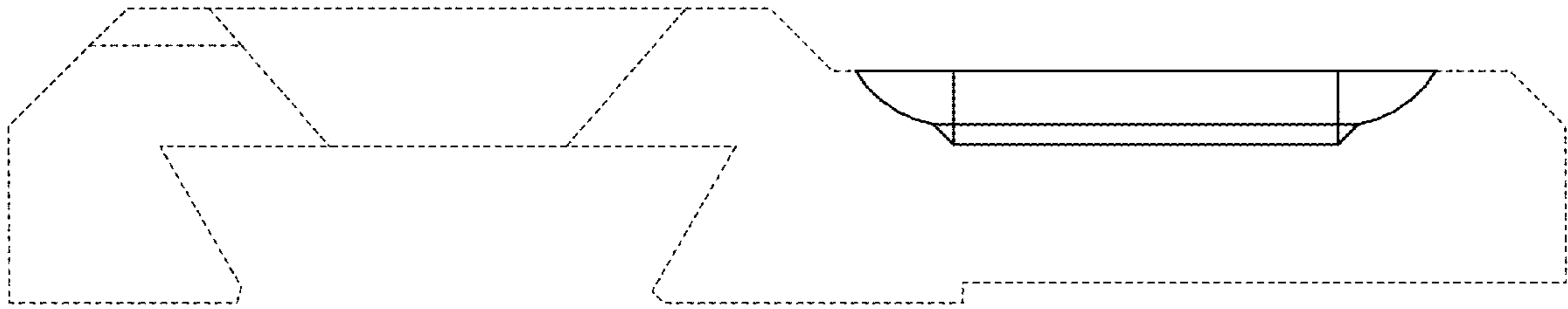


FIG. 19

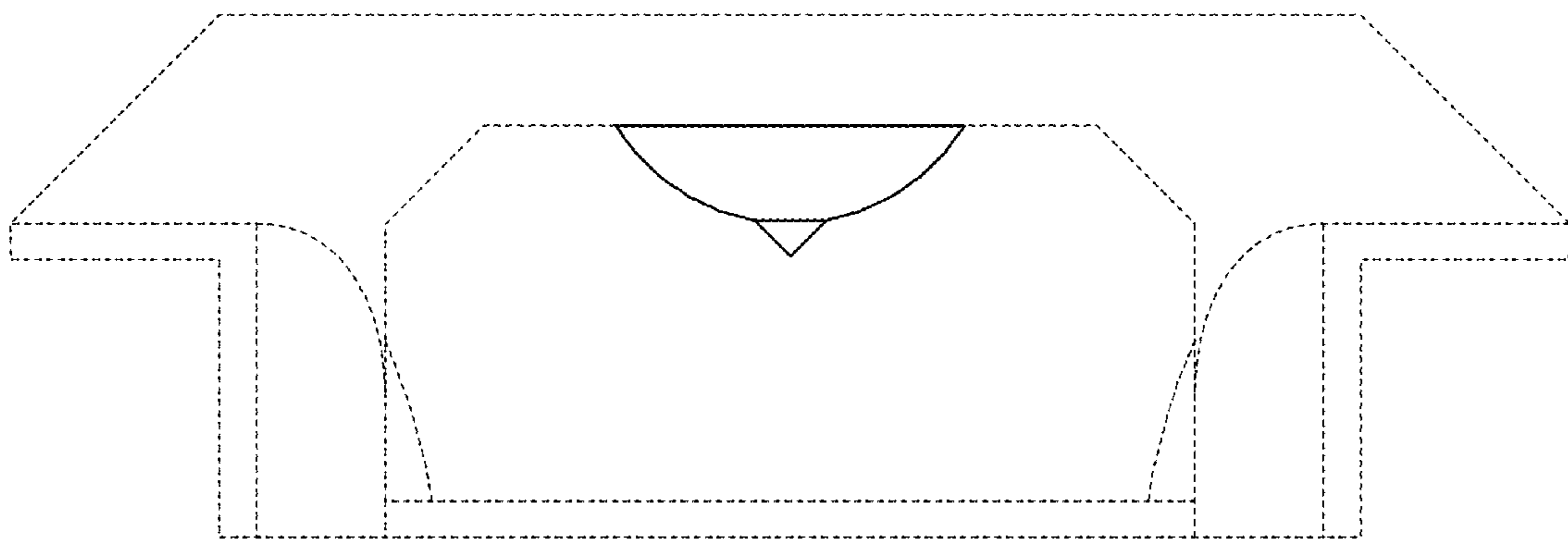


FIG. 20