



US00D931076S

(12) **United States Design Patent** (10) **Patent No.:** **US D931,076 S**  
**Rogers** (45) **Date of Patent:** **\*\* Sep. 21, 2021**

(54) **FOLDING KNIFE**  
(71) Applicant: **GB II Corporation**, Tualatin, OR (US)  
(72) Inventor: **Richard Rogers**, Magdalena, NM (US)  
(73) Assignee: **GB II Corporation**, Tualatin, OR (US)  
(\*\*) Term: **15 Years**  
(21) Appl. No.: **29/730,238**  
(22) Filed: **Apr. 2, 2020**  
(51) **LOC (13) Cl.** ..... **08-03**  
(52) **U.S. Cl.**  
USPC ..... **D8/99**  
(58) **Field of Classification Search**  
USPC ..... D8/98, 99, 100, 105, 107; D22/118  
CPC ..... B26B 5/001; B26B 5/003; B26B 11/00;  
B26B 1/08; B26B 1/02; B26B 1/10;  
B26B 1/04; B26B 1/042; B26B 1/048;  
B26B 3/08; B26B 29/06  
See application file for complete search history.

(56) **References Cited**  
**U.S. PATENT DOCUMENTS**  
D323,774 S \* 2/1992 Opinel ..... D8/99  
D365,266 S \* 12/1995 Hasegawa ..... D8/99  
5,755,035 A \* 5/1998 Weatherly ..... B26B 1/044  
30/160  
D397,281 S 8/1998 Hsu et al.  
D472,446 S \* 4/2003 Brown ..... D8/99  
D488,045 S 4/2004 Onion

(Continued)  
**FOREIGN PATENT DOCUMENTS**  
CN 304924621 S 12/2018  
TW 246012 4/1995

**OTHER PUBLICATIONS**  
Amazon.com, Smior GP035-CFD Small Slim Folding pocket Flip-  
per EDC Knife, Date first available Dec. 3, 2019.\*  
(Continued)

*Primary Examiner* — Philip S Hyder  
(74) *Attorney, Agent, or Firm* — Klarquist Sparkman,  
LLP

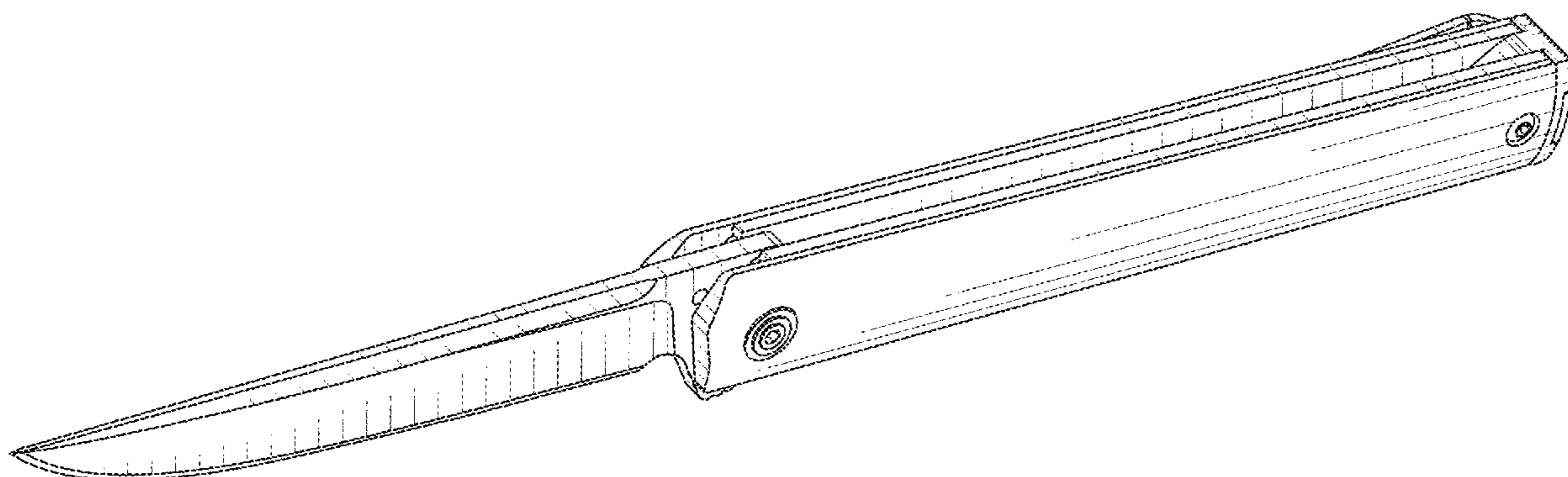
(57) **CLAIM**

I claim the ornamental design for a folding knife, as shown and described.

**DESCRIPTION**

FIG. 1 is a perspective view of a folding knife shown with the blade in the open position.  
FIG. 2 is a left side elevation view of the folding knife of FIG. 1 shown with the blade in the open position.  
FIG. 3 is a right side elevation view of the folding knife of FIG. 1 shown with the blade in the open position.  
FIG. 4 is a front end view of the folding knife of FIG. 1 shown with the blade in the open position.  
FIG. 5 is a rear end view of the folding knife of FIG. 1 shown with the blade in the open position.  
FIG. 6 is a top plan view of the folding knife of FIG. 1 shown with the blade in the open position.  
FIG. 7 is a bottom plan view of the folding knife of FIG. 1 shown with the blade in the open position.  
FIG. 8 is a perspective view of the folding knife of FIG. 1 shown with the blade in the closed position.  
FIG. 9 is a left side elevation view of the folding knife of FIG. 1 shown with the blade in the closed position.  
FIG. 10 is a right side elevation view of the folding knife of FIG. 1 shown with the blade in the closed position.  
FIG. 11 is a front end view of the folding knife of FIG. 1 shown with the blade in the closed position.  
FIG. 12 is a rear end view of the folding knife of FIG. 1 shown with the blade in the closed position.  
FIG. 13 is a top plan view of the folding knife of FIG. 1 shown with the blade in the closed position; and,  
FIG. 14 is a bottom plan view of the folding knife of FIG. 1 shown with the blade in the closed position.

**1 Claim, 6 Drawing Sheets**



(56)

**References Cited**

U.S. PATENT DOCUMENTS

6,941,661 B2 \* 9/2005 Frazer ..... B26B 1/048  
30/160  
D593,838 S 6/2009 Williams  
D697,780 S \* 1/2014 Pelton ..... D8/99  
D801,775 S \* 11/2017 Tsujimoto ..... D8/99  
D841,426 S \* 2/2019 Goldstein ..... D8/99  
D863,925 S \* 10/2019 Sung ..... D8/99  
D892,589 S \* 8/2020 Mayberry ..... D8/99  
2019/0224860 A1 \* 7/2019 Alexander ..... B26B 1/04

OTHER PUBLICATIONS

Photographs of folding knife sold prior to Apr. 1, 2019, taken from <https://www.erkt.com/ceo.html>.

Allowance Decision of Primary Examination (including English translation) and Search Report (including English translation) from the Taiwan Intellectual Property Office for corresponding Taiwan Design Application No. 109302480, dated Dec. 23, 2020, 5 pages.

\* cited by examiner

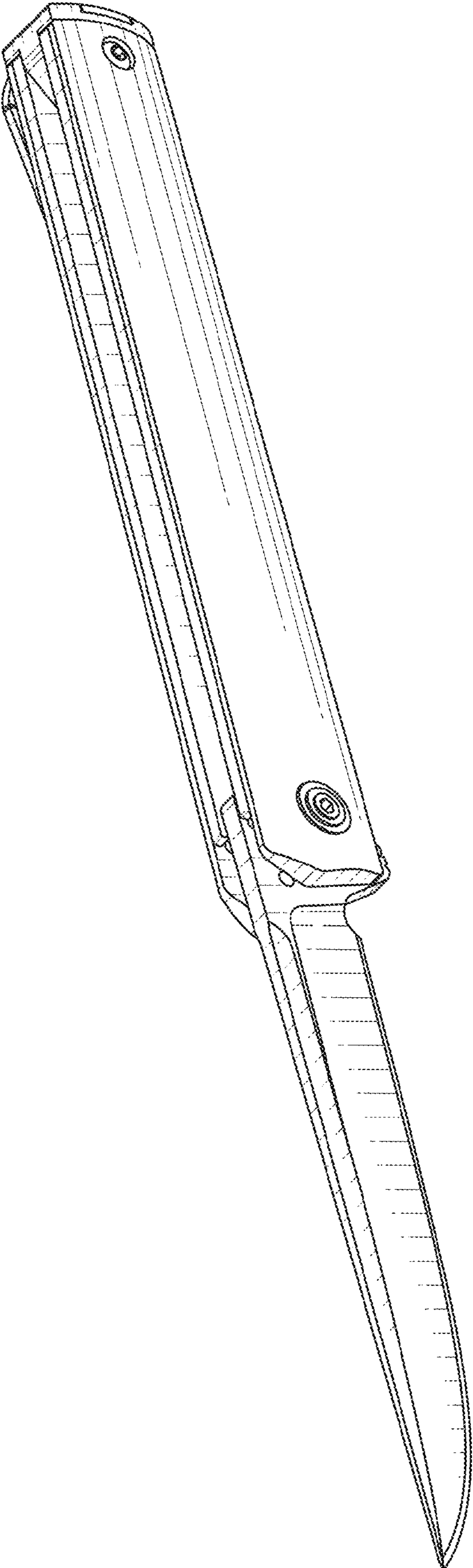


FIG. 1

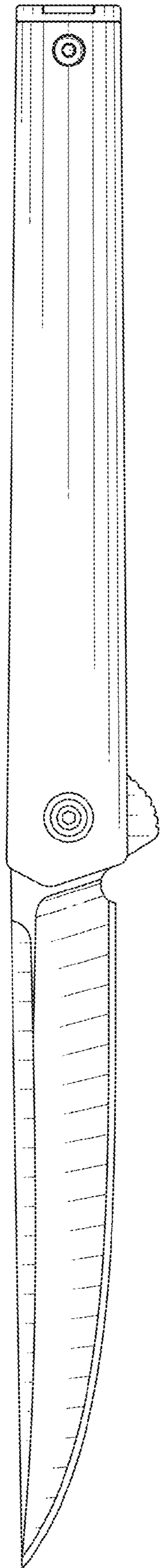


FIG. 2

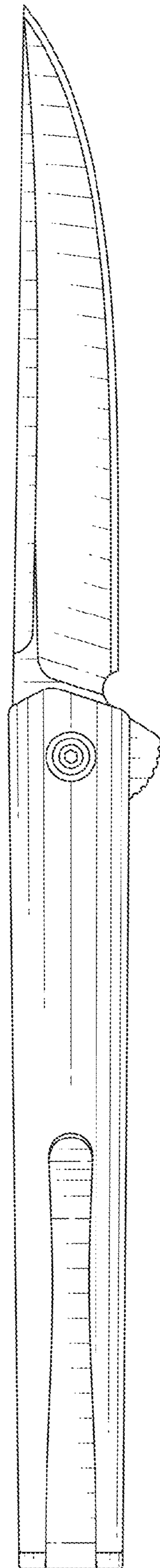


FIG. 3



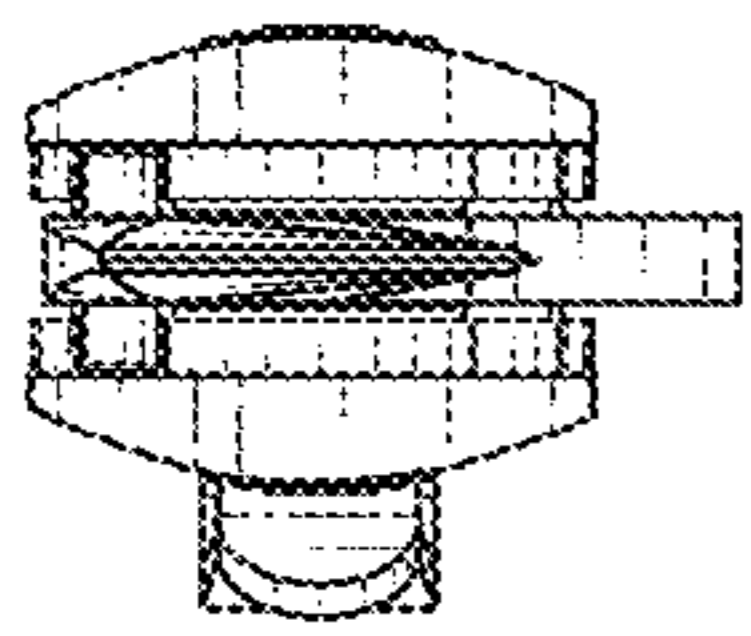


FIG. 4

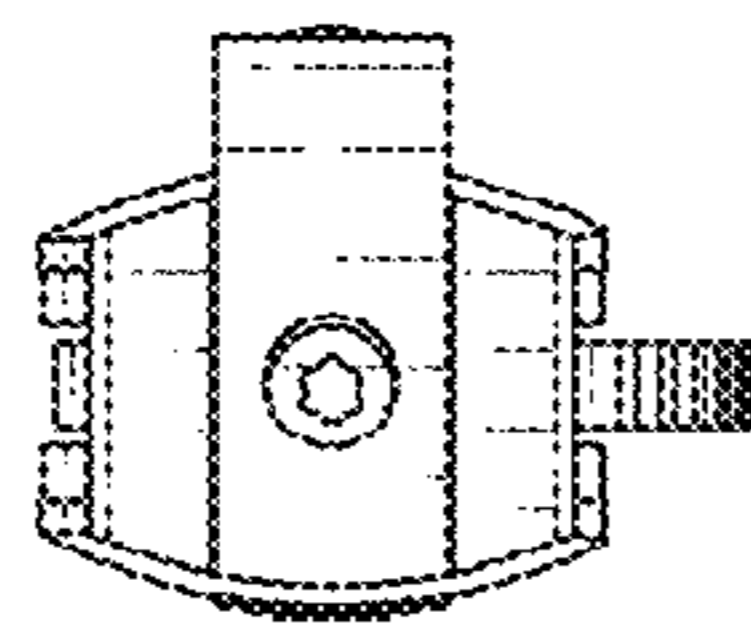


FIG. 5

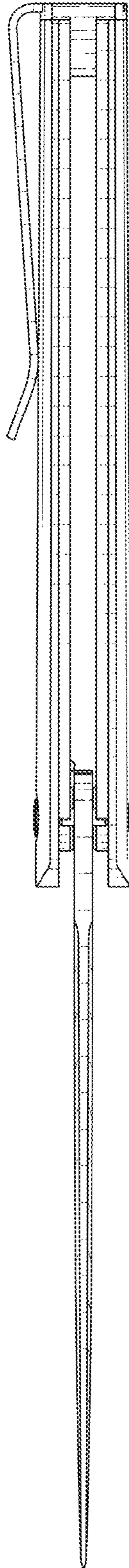


FIG. 6

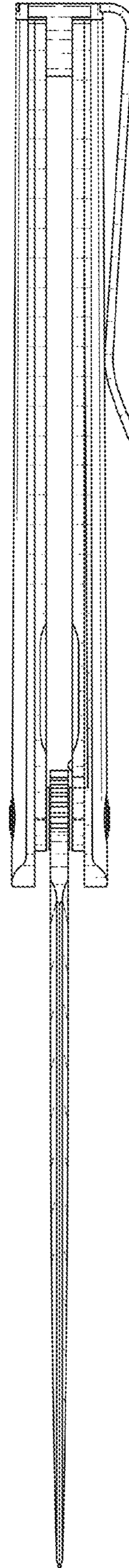


FIG. 7

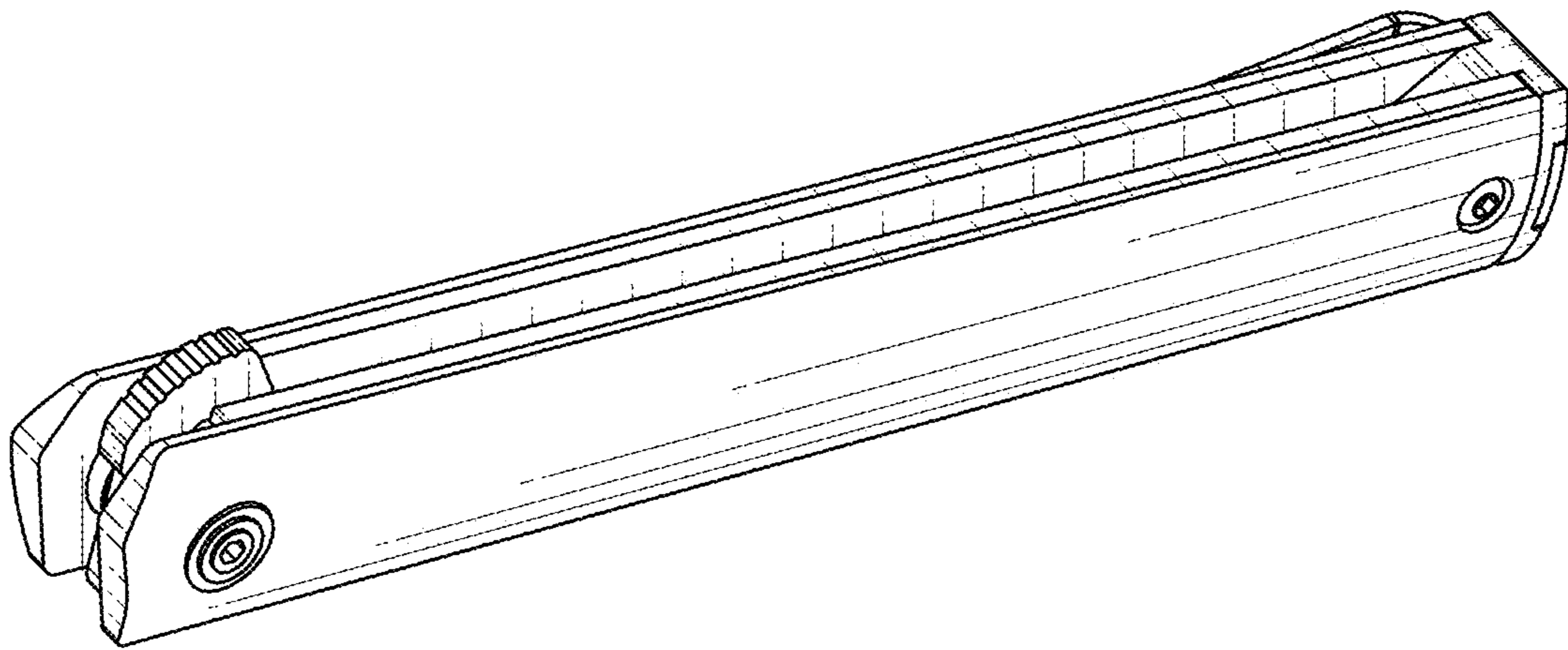


FIG. 8

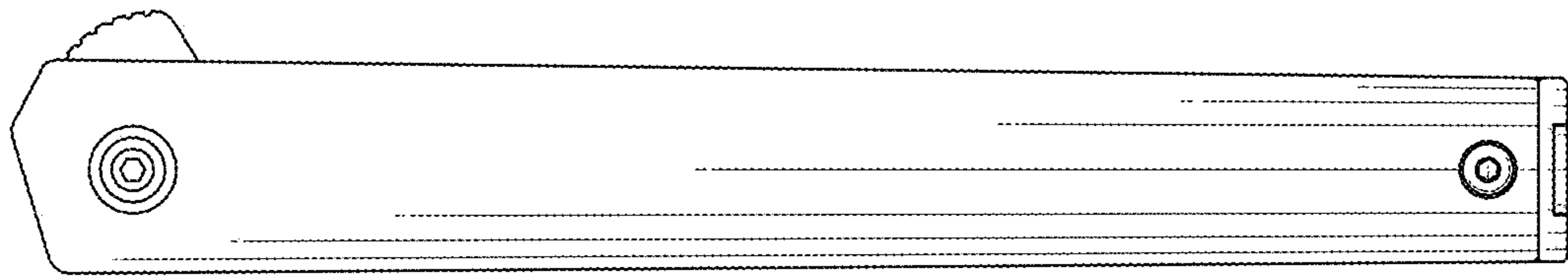


FIG. 9

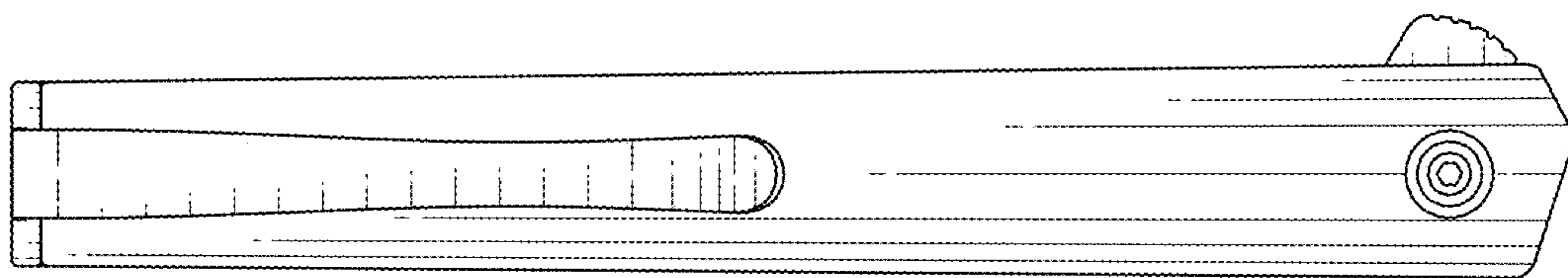


FIG. 10

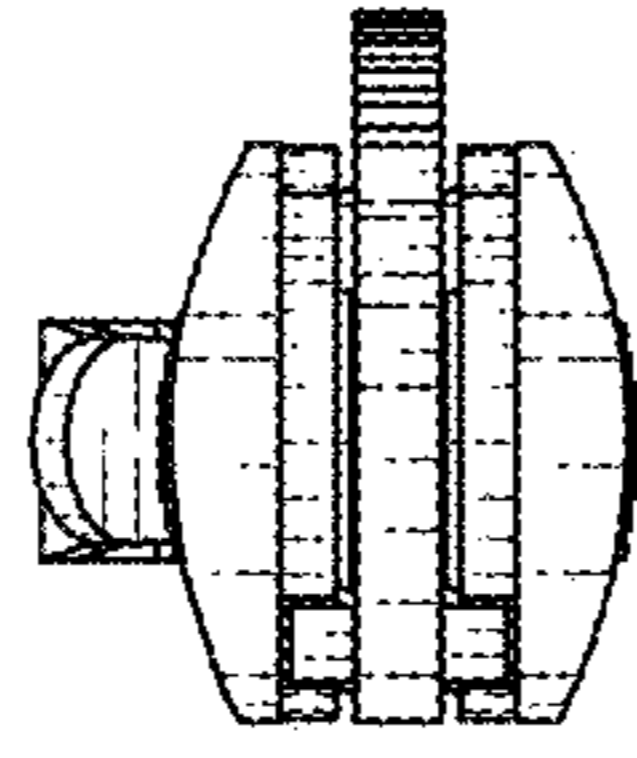


FIG. 11

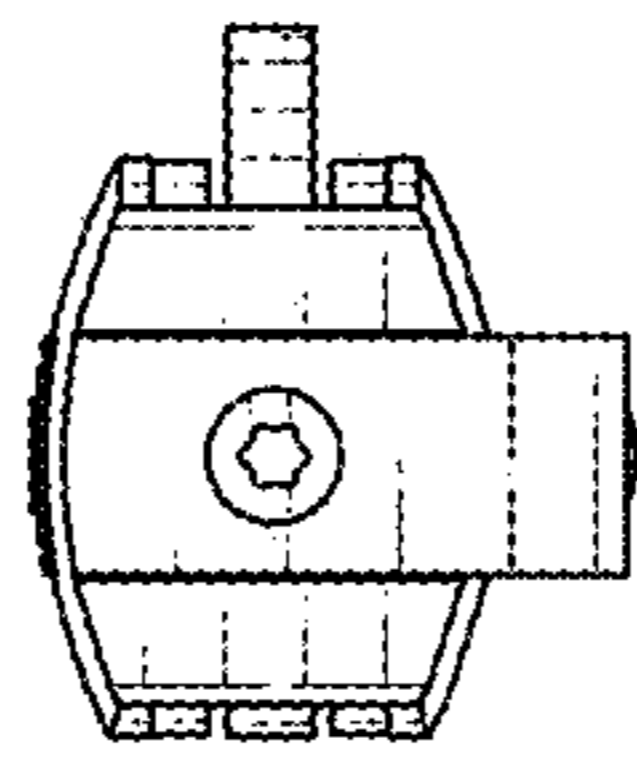


FIG. 12

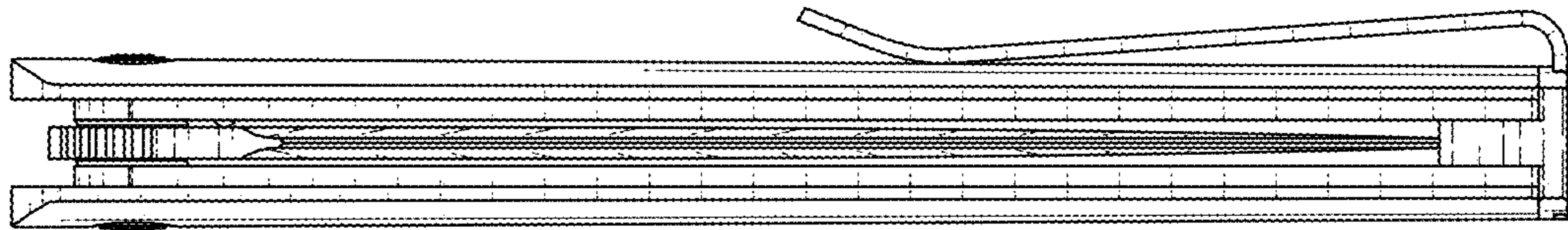


FIG. 13

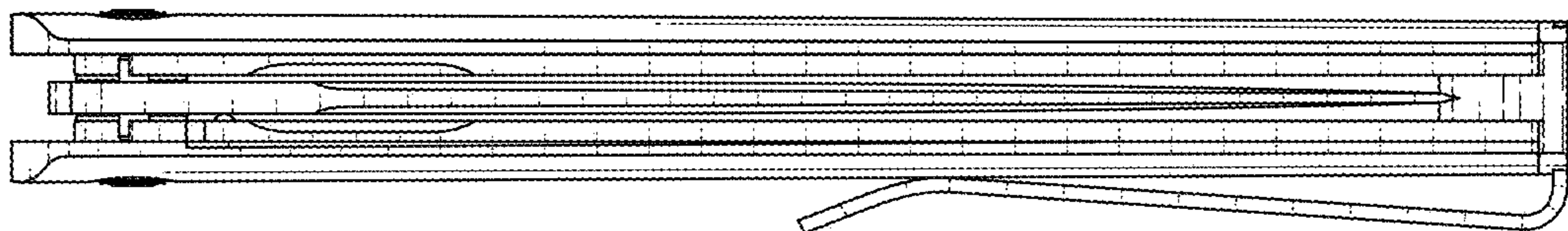


FIG. 14