



US00D931075S

(12) **United States Design Patent**
Shih

(10) **Patent No.:** **US D931,075 S**

(45) **Date of Patent:** **** Sep. 21, 2021**

- (54) **HAMMER**
- (71) Applicant: **Jui-yuan Shih**, Changhua County (TW)
- (72) Inventor: **Jui-yuan Shih**, Changhua County (TW)
- (**) Term: **15 Years**
- (21) Appl. No.: **29/731,720**
- (22) Filed: **Apr. 17, 2020**
- (30) **Foreign Application Priority Data**
 - Oct. 24, 2019 (TW) 108306620
- (51) **LOC (13) Cl.** **08-02**
- (52) **U.S. Cl.**
USPC **D8/78**
- (58) **Field of Classification Search**
 - USPC D8/75, 76, 77, 78, 79, 80, 81, 105, 107
 - CPC ... B25D 1/00; B25D 1/02; B25D 1/04; B25D 1/045; B25D 1/06; B25D 1/10; B25D 1/12; B25G 1/102; B25G 3/10; B25C 11/00

See application file for complete search history.

- (56) **References Cited**
 - U.S. PATENT DOCUMENTS
 - 3,211,198 A * 10/1965 Glasgow B25D 1/02 81/19
 - 4,291,736 A * 9/1981 Robertson B25D 1/06 81/24
 - D365,739 S * 1/1996 Weintraut D8/78
 - 5,526,719 A * 6/1996 Chen B25D 1/02 30/308.3
 - D413,780 S * 9/1999 Beam D8/75
 - 6,332,376 B1 * 12/2001 Hurley B25C 11/00 7/144
 - 6,467,376 B1 * 10/2002 Wu B25G 1/01 81/22
 - D470,380 S * 2/2003 Huang D8/75

- 6,655,236 B1 * 12/2003 Slack B25D 1/02 81/20
- D534,409 S * 1/2007 Chen D8/78
- D566,509 S * 4/2008 Vanderbeek D8/75
- 8,141,458 B1 * 3/2012 Spencer B25D 1/00 81/20
- 8,387,486 B2 * 3/2013 Hanlon B25D 1/12 81/22
- D736,051 S * 8/2015 Chen D8/78
- D747,943 S * 1/2016 Hung D8/75
- D770,255 S * 11/2016 Honadel D8/75
- D770,875 S * 11/2016 Honadel D8/75
- D779,300 S * 2/2017 Nelson D8/78
- D795,667 S * 8/2017 Chen D8/79
- D835,488 S * 12/2018 Hung D8/79
- D837,019 S * 1/2019 Hyma D8/78
- D837,020 S * 1/2019 Hyma D8/78
- D837,201 S * 1/2019 Ludovici D14/315

(Continued)

Primary Examiner — Philip S Hyder
(74) *Attorney, Agent, or Firm* — WPAT, PC

(57) **CLAIM**

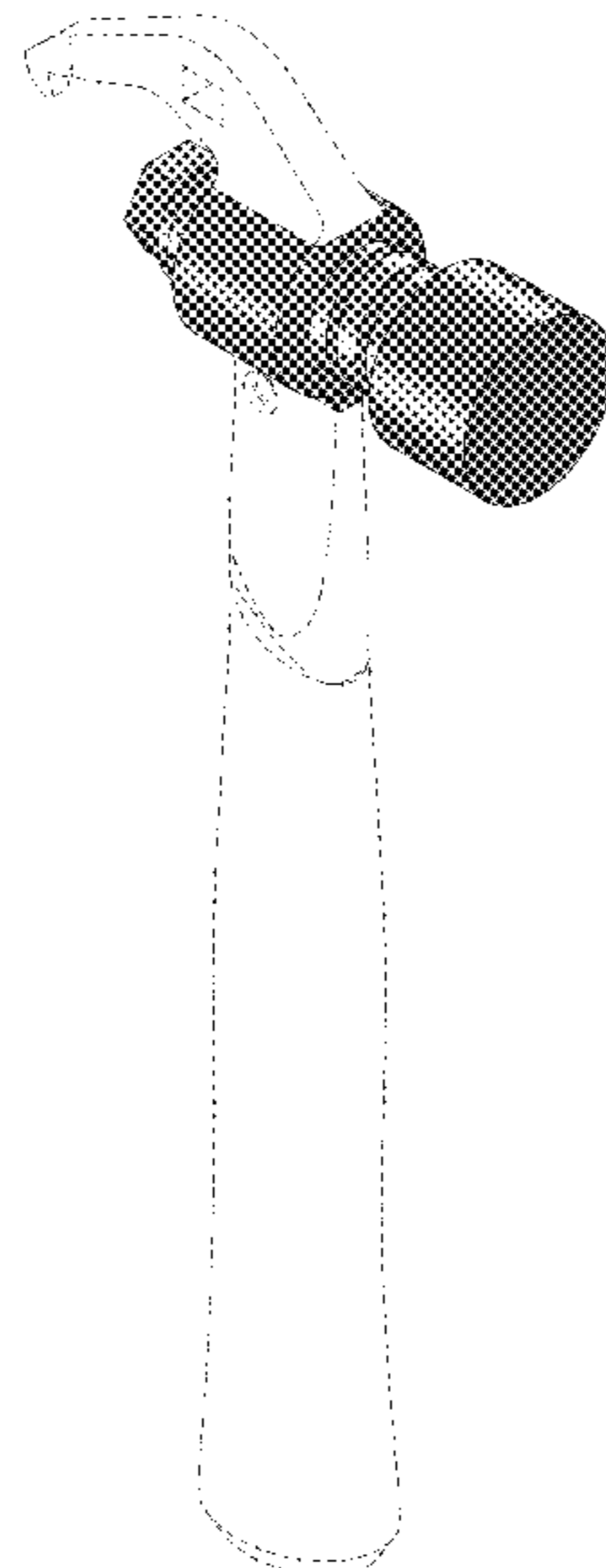
The ornamental design for a hammer, as shown and described.

DESCRIPTION

FIG. 1 is a perspective view of a hammer, showing my new design;
FIG. 2 is the other perspective view of the hammer in FIG. 1 thereof;
FIG. 3 is a front view thereof;
FIG. 4 is a rear view thereof;
FIG. 5 is a left side view thereof;
FIG. 6 is a right side view thereof;
FIG. 7 is a top view thereof; and,
FIG. 8 is a bottom view thereof.

The dashed lines depict environmental subject matter and form no part of the claimed design. The dash-dot lines depict boundaries between the claimed part and non-claimed part and form no part of the claimed design.

1 Claim, 8 Drawing Sheets



(56)

References Cited

U.S. PATENT DOCUMENTS

D867,090 S	*	11/2019	Hyma	D8/75
D908,455 S	*	1/2021	Cate	D8/78
2011/0314970 A1	*	12/2011	Chen	B25D 1/06 81/24

* cited by examiner

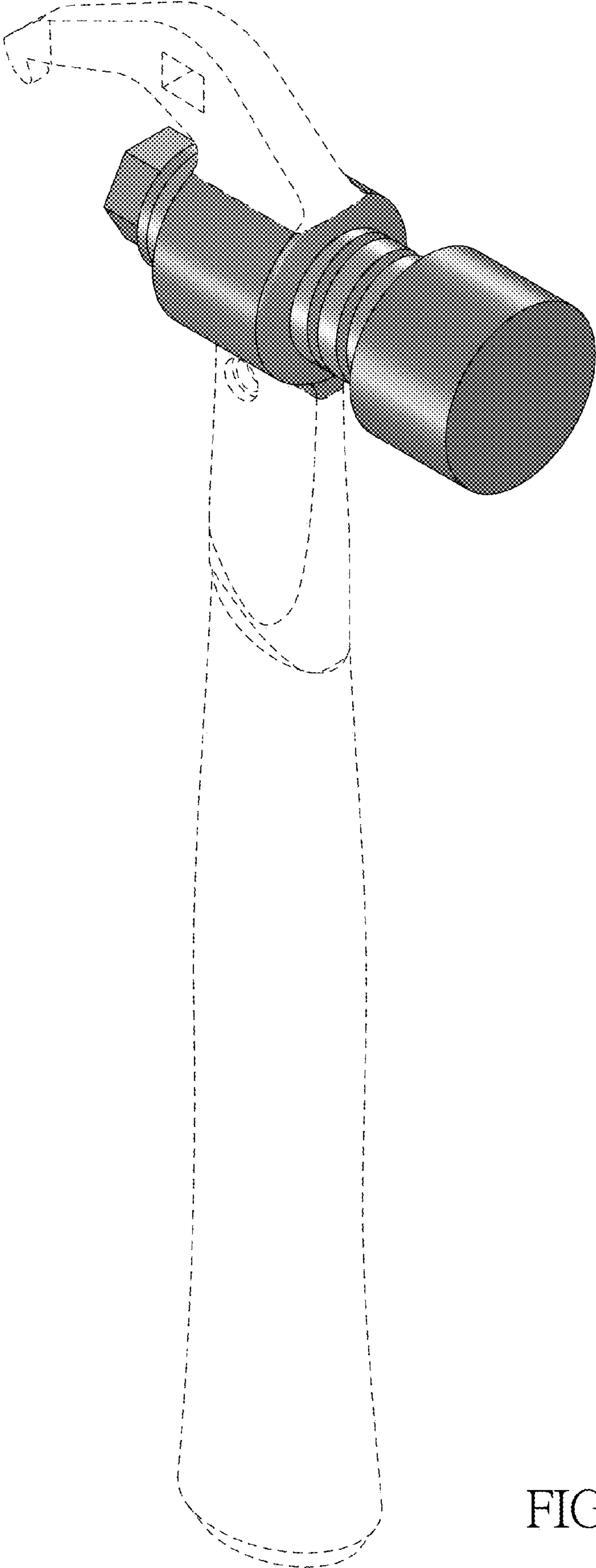


FIG. 1

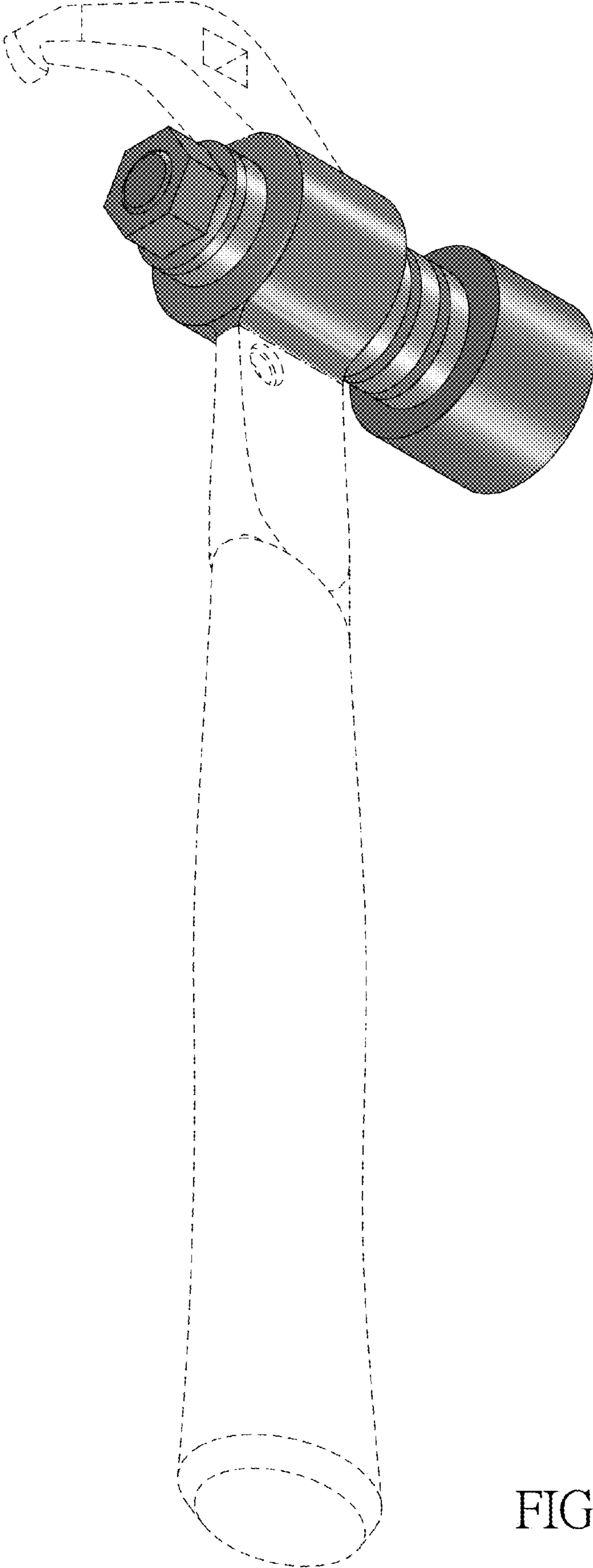


FIG. 2

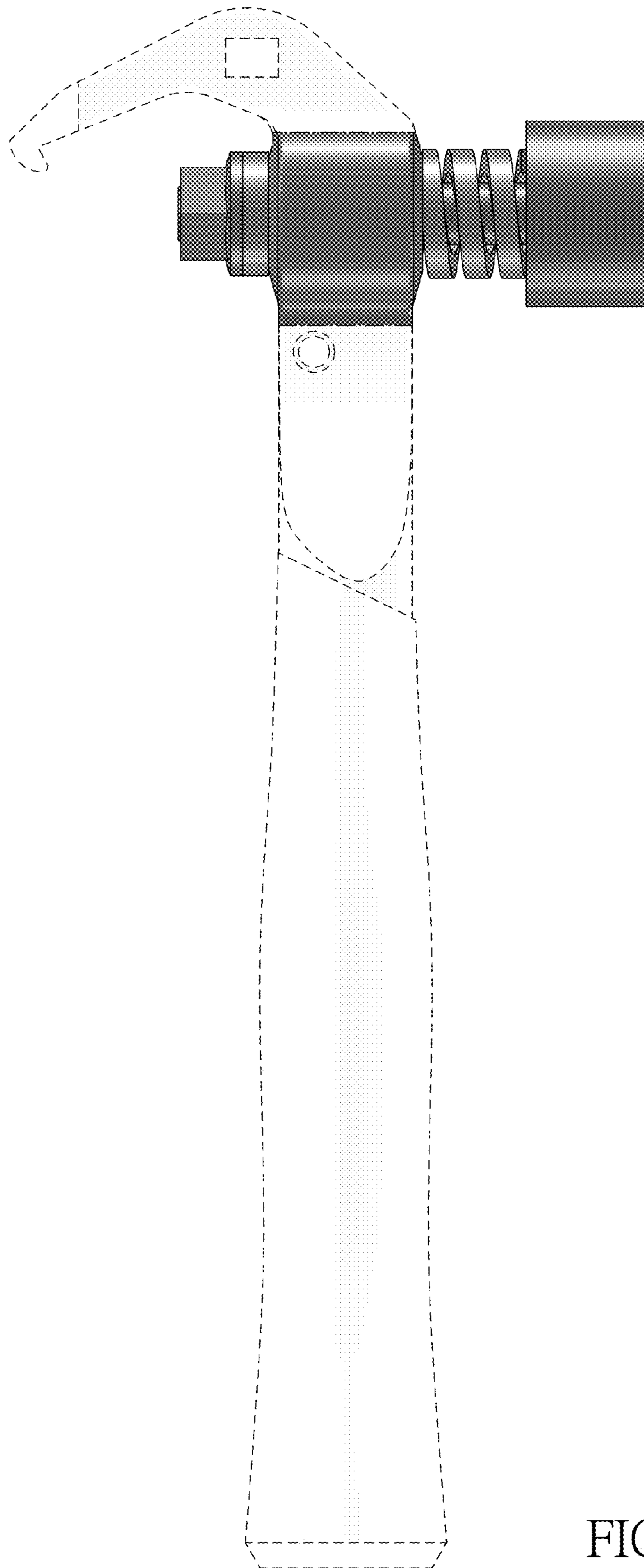


FIG. 3

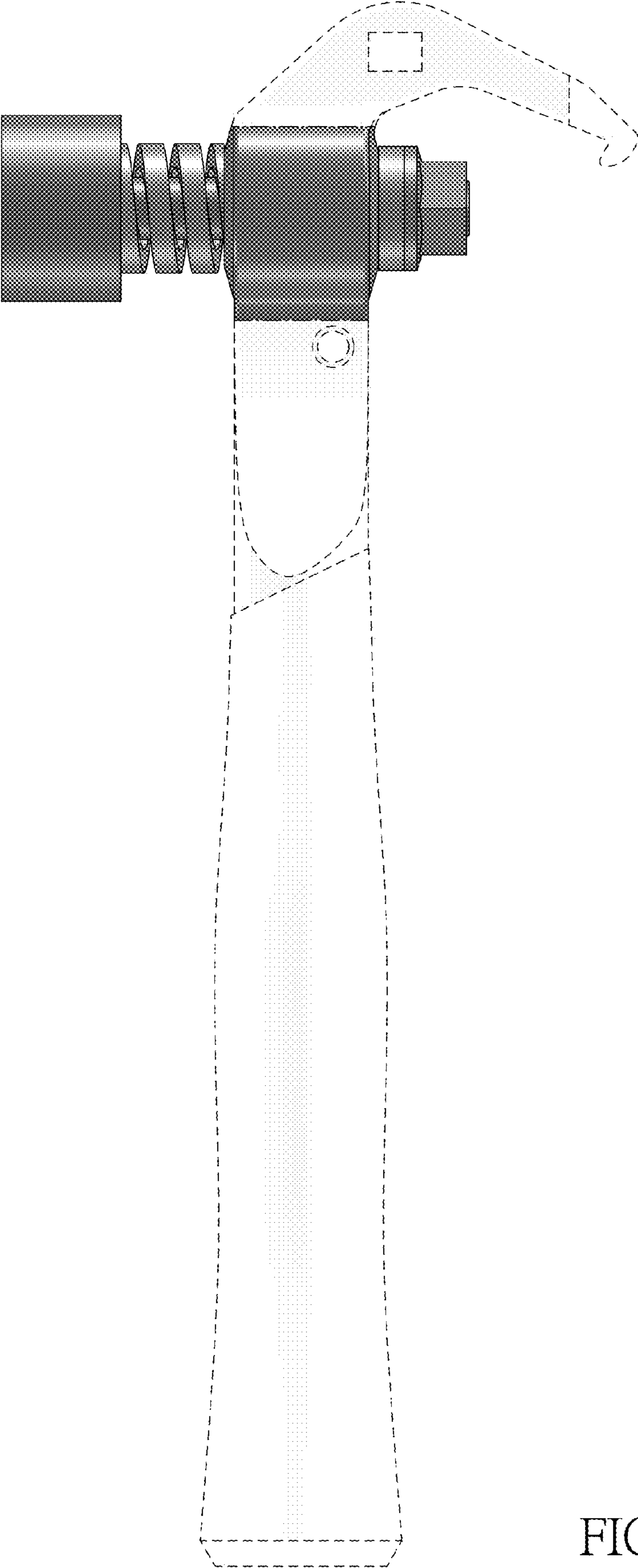


FIG. 4

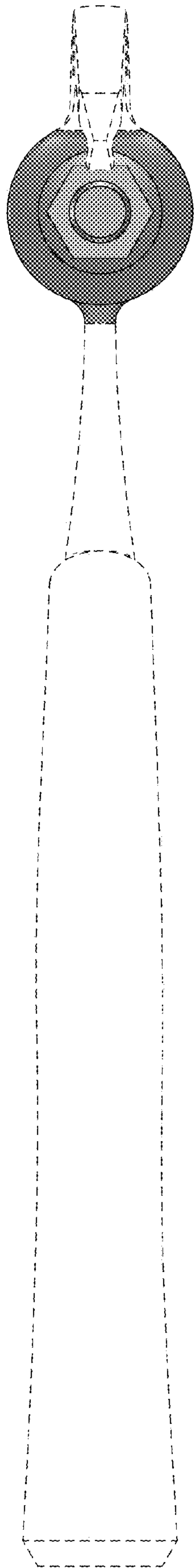


FIG. 5

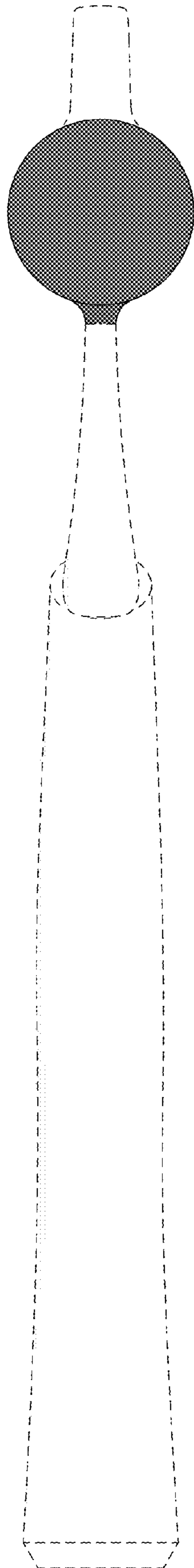


FIG. 6

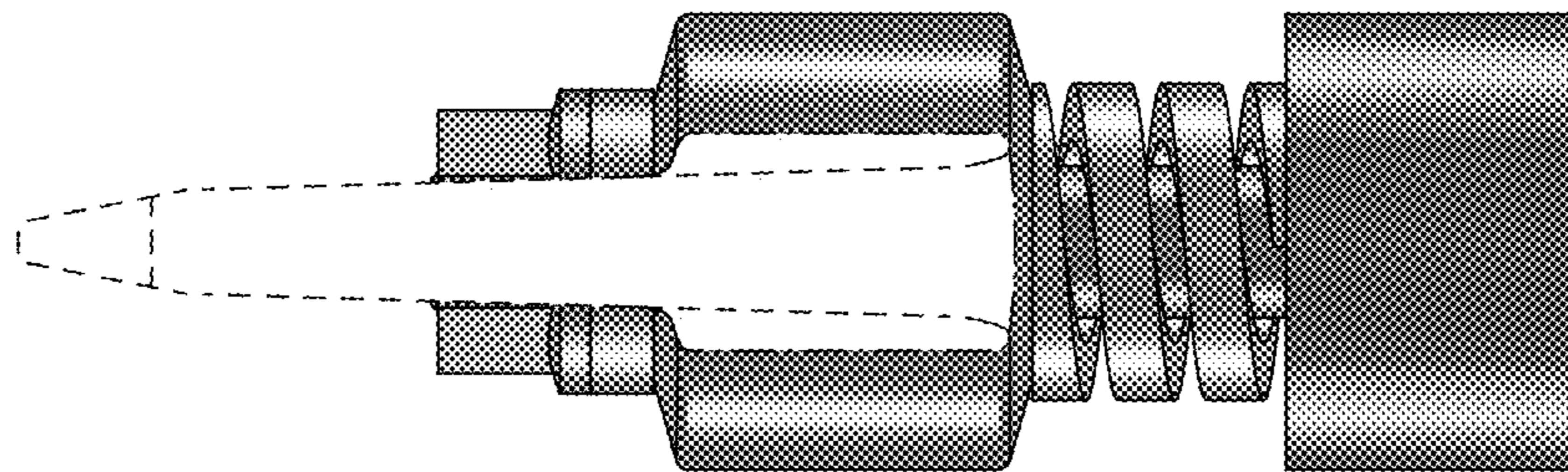


FIG. 7

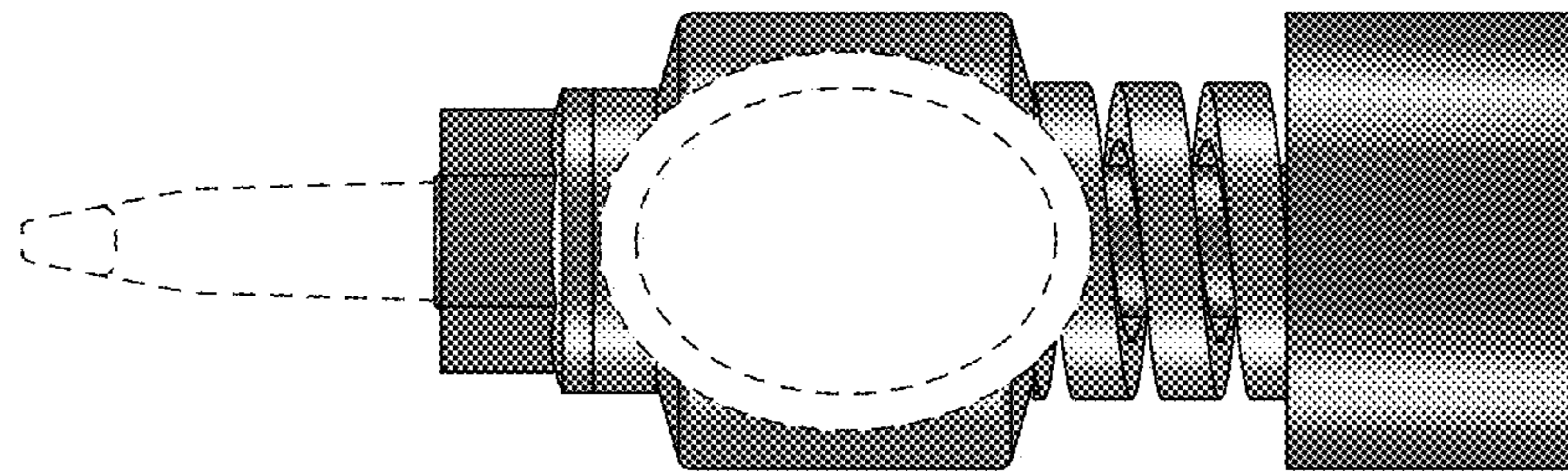


FIG. 8