



US00D931072S

(12) **United States Design Patent** (10) **Patent No.:** **US D931,072 S**
Li et al. (45) **Date of Patent:** **** Sep. 21, 2021**

(54) **BELT SANDER**
(71) Applicant: **Shenzhen Aukeyhi Technology Co., Ltd.**, Shenzhen (CN)
(72) Inventors: **Mingkai Li**, Shenzhen (CN); **Huiyue Ze**, Shenzhen (CN)
(73) Assignee: **SHENZHEN AUKEYHI TECHNOLOGY CO., LTD.**, Shenzhen (CN)
(**) Term: **15 Years**

D400,073 S *	10/1998	Hara	D8/62
D420,875 S *	2/2000	Okitsu	D8/62
D478,261 S *	8/2003	Sham	D8/62
D487,008 S *	2/2004	Andriolo	D8/62
D492,563 S *	7/2004	Wright	D8/62
D497,298 S *	10/2004	Tillman	D8/62
D520,317 S *	5/2006	Robson	D8/62
D525,841 S *	8/2006	Lind	D8/62
D570,173 S *	6/2008	O'Hern	D8/62
D574,661 S *	6/2008	O'Hern	D8/62
D574,686 S *	8/2008	Waldron	D8/62
D677,540 S *	3/2013	Meyers	D8/61
D730,136 S *	5/2015	Lichtensteiger	D8/61
D900,573 S *	11/2020	Zheng	D8/62
D910,397 S *	2/2021	Zhong	D8/62
2010/0151774 A1 *	6/2010	Bower	B24B 23/02 451/344

(21) Appl. No.: **29/716,265**
(22) Filed: **Dec. 9, 2019**
(30) **Foreign Application Priority Data**

Jul. 11, 2019 (EM) 006623211

(51) **LOC (13) Cl.** **08-05**
(52) **U.S. Cl.**
USPC **D8/62**
(58) **Field of Classification Search**
USPC D8/61, 62, 64, 66-69; D15/124, 134
CPC B24B 21/20; B24B 23/06
See application file for complete search history.

(56) **References Cited**
U.S. PATENT DOCUMENTS
D200,865 S * 4/1965 Landell D8/62
D205,080 S * 6/1966 Averitt D8/62
D255,319 S * 6/1980 Schultz D8/107
D286,737 S * 11/1986 House, II D8/62
D305,029 S * 12/1989 Fuchs D15/124
D323,099 S * 1/1992 Sakamoto D8/62
D328,695 S * 8/1992 Hoshino D8/62
5,168,656 A * 12/1992 Jolly B24B 21/00
451/310
D341,844 S * 11/1993 Arehart D15/124

* cited by examiner

Primary Examiner — Michael C Stout
Assistant Examiner — Fitzgerald L Butac

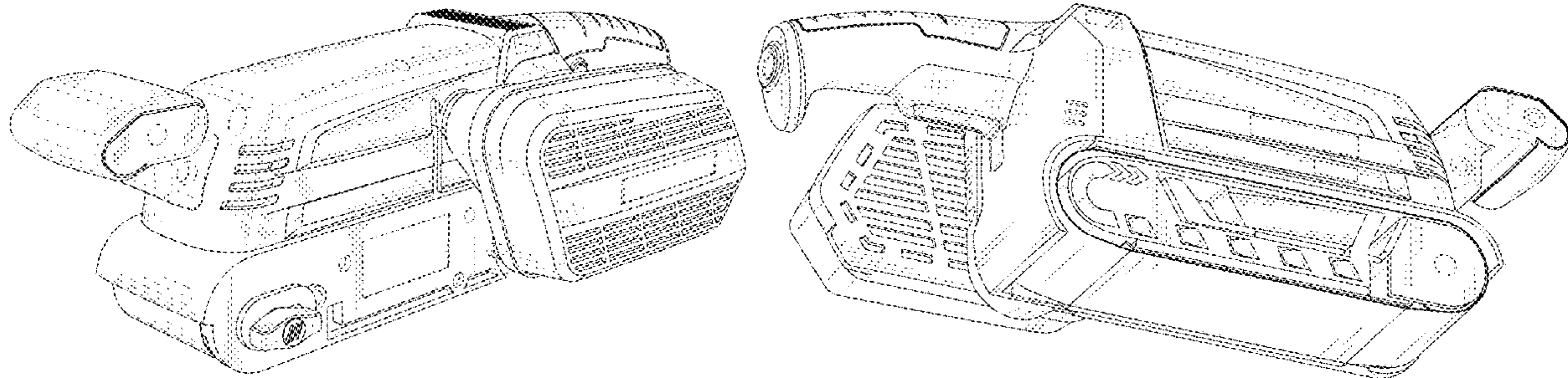
(57) **CLAIM**

The ornamental design for a belt sander, as shown and described.

DESCRIPTION

FIG. 1 is a front perspective view of a belt sander showing our new design;
FIG. 2 is a rear perspective view thereof;
FIG. 3 is a front elevational view thereof;
FIG. 4 is a rear elevational view thereof;
FIG. 5 is a left side view thereof;
FIG. 6 is a right side view thereof;
FIG. 7 is a top plan view thereof; and,
FIG. 8 is a bottom plan view thereof.
The evenly broken lines in the drawings illustrate portions of the belt sander that form no part of the claimed design.

1 Claim, 8 Drawing Sheets



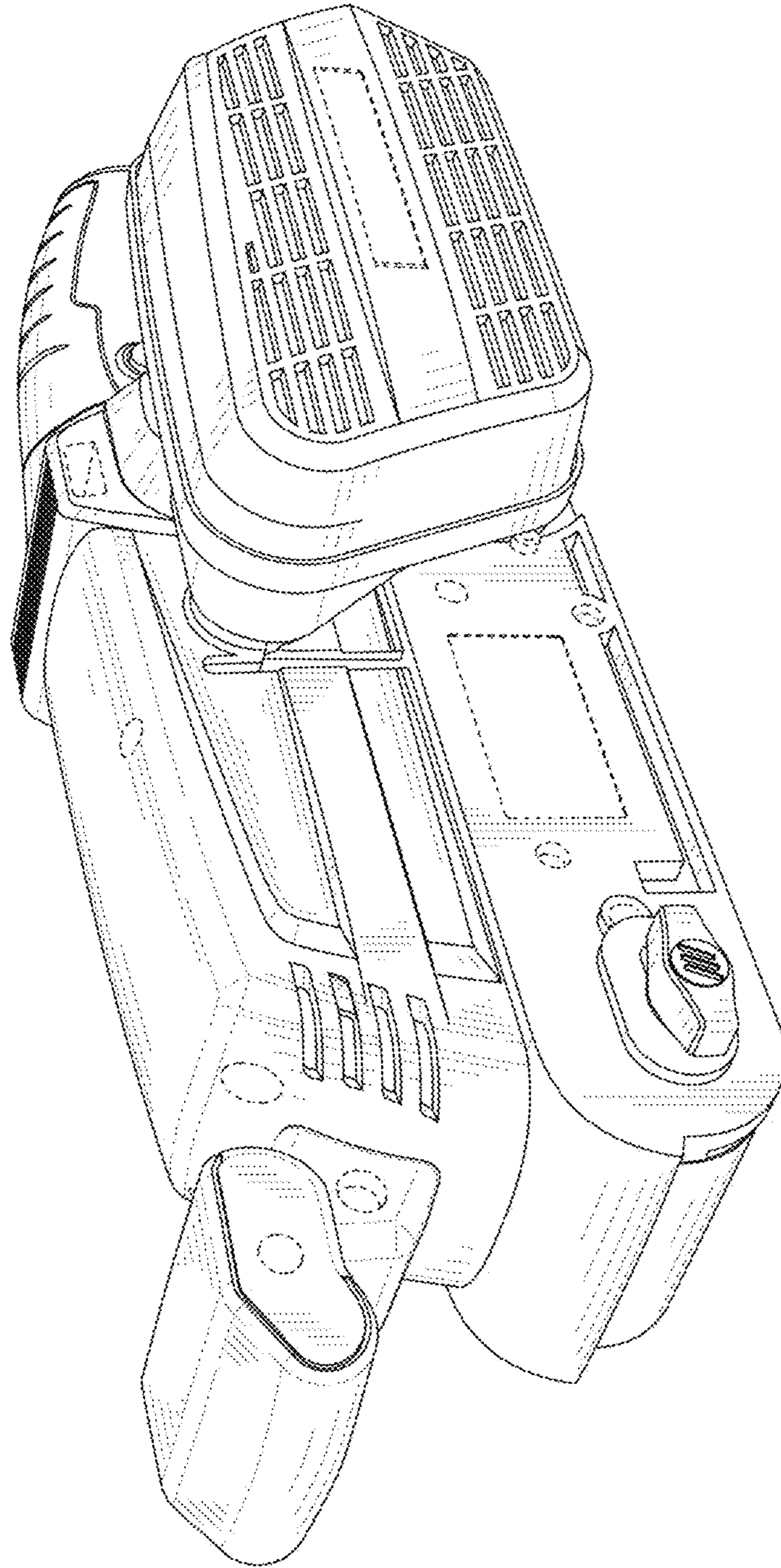


FIG. 1

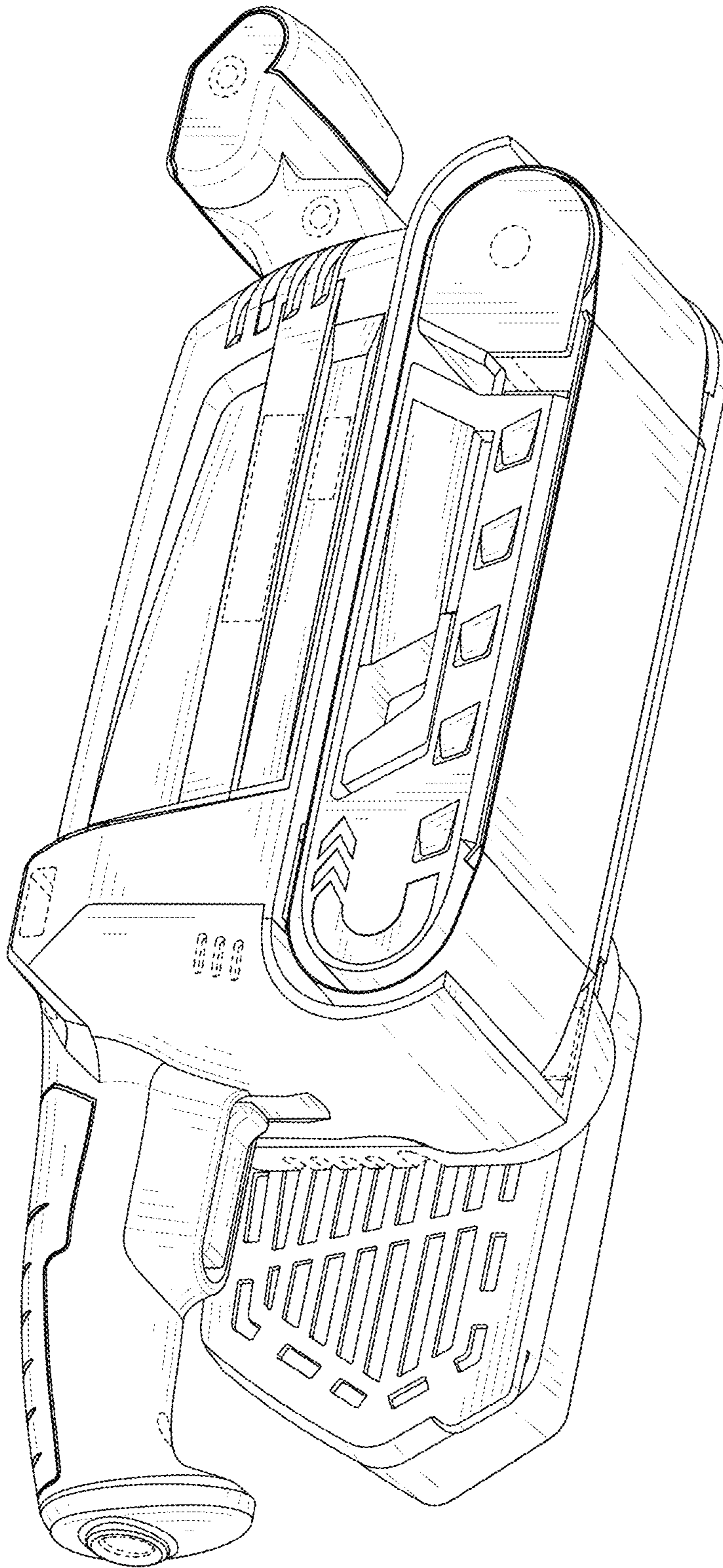


FIG. 2

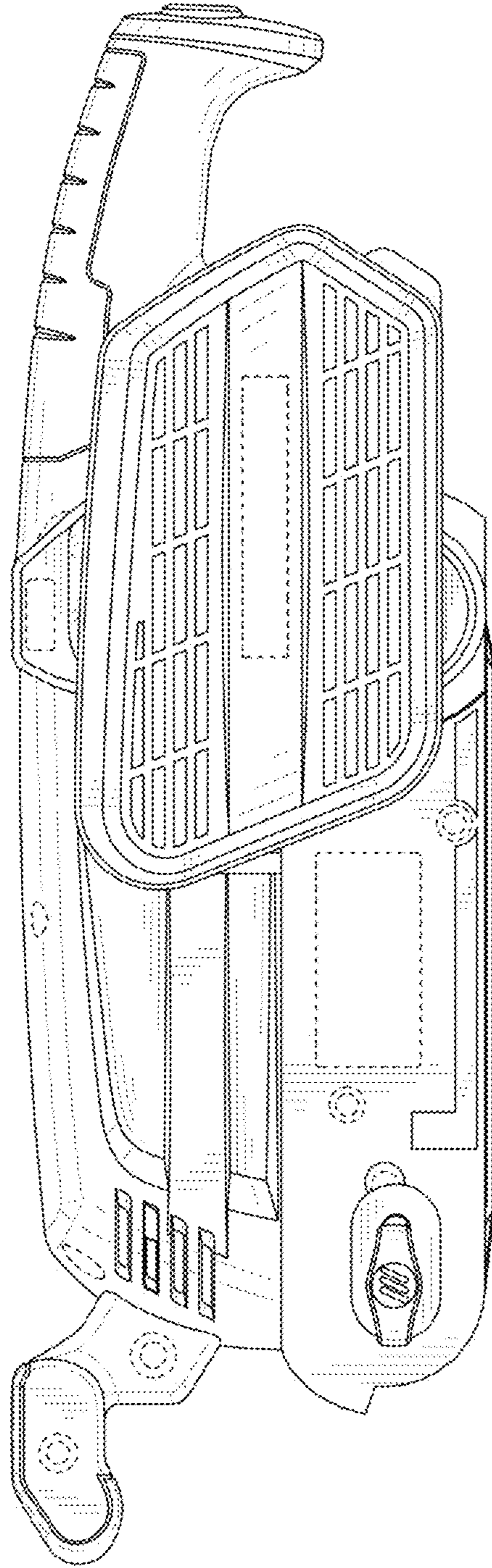


FIG. 3

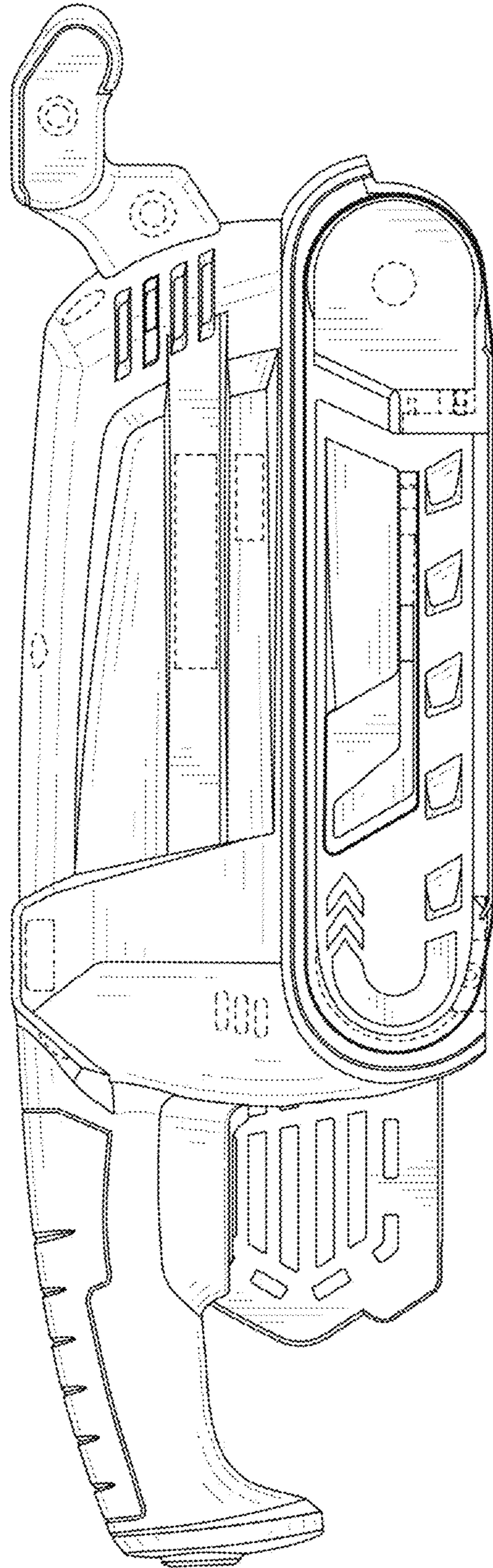


FIG. 4

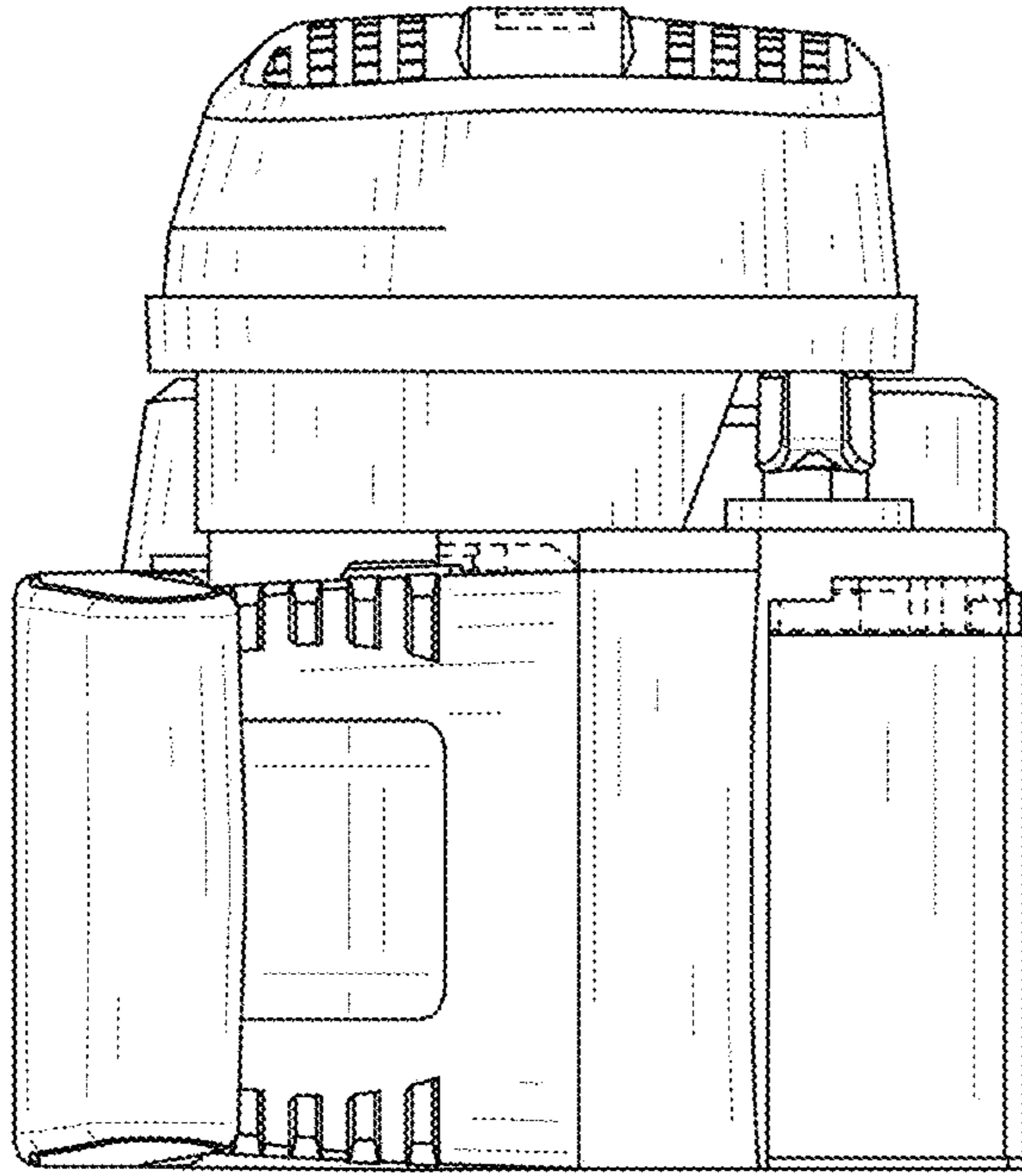


FIG. 5

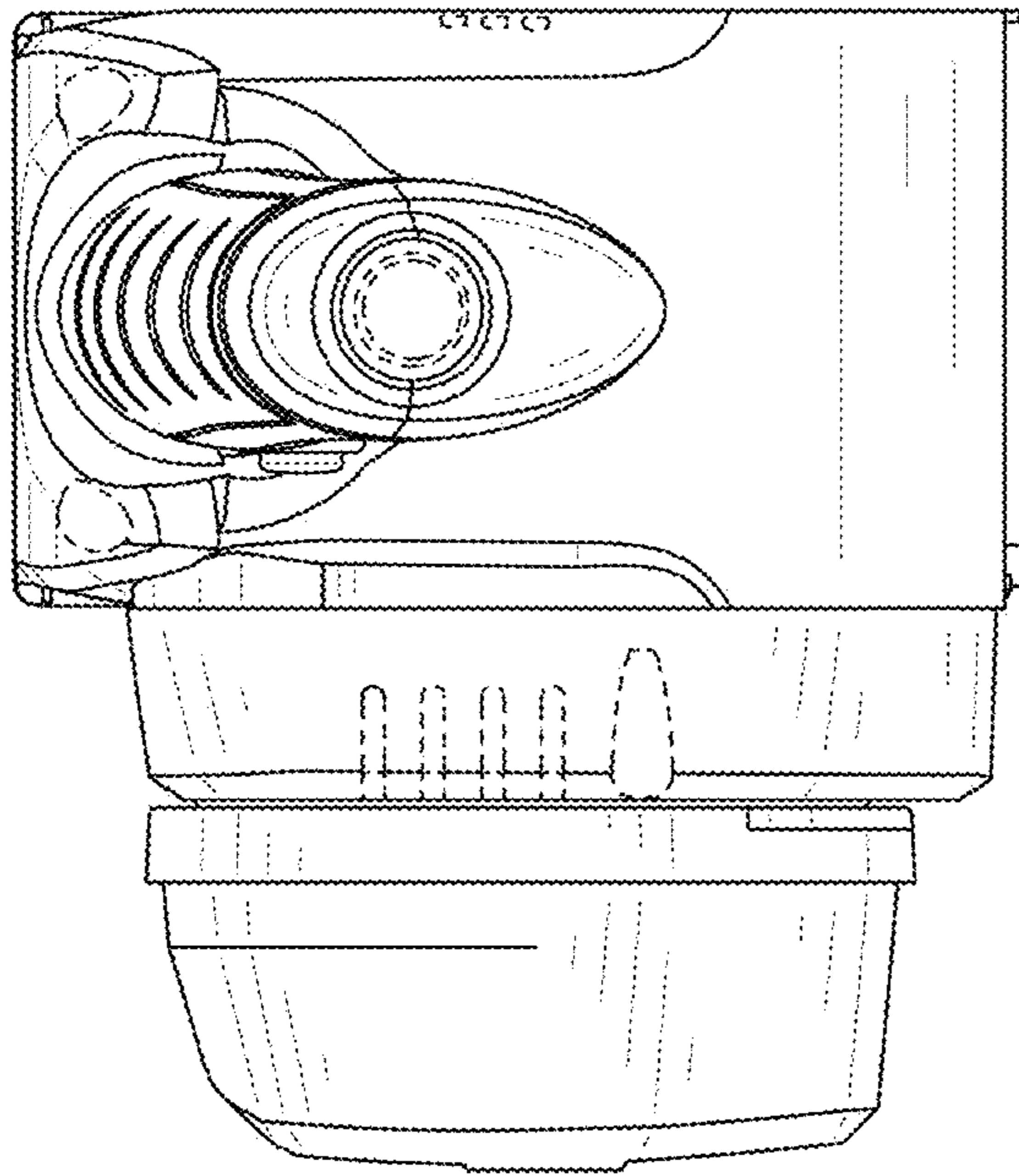


FIG. 6

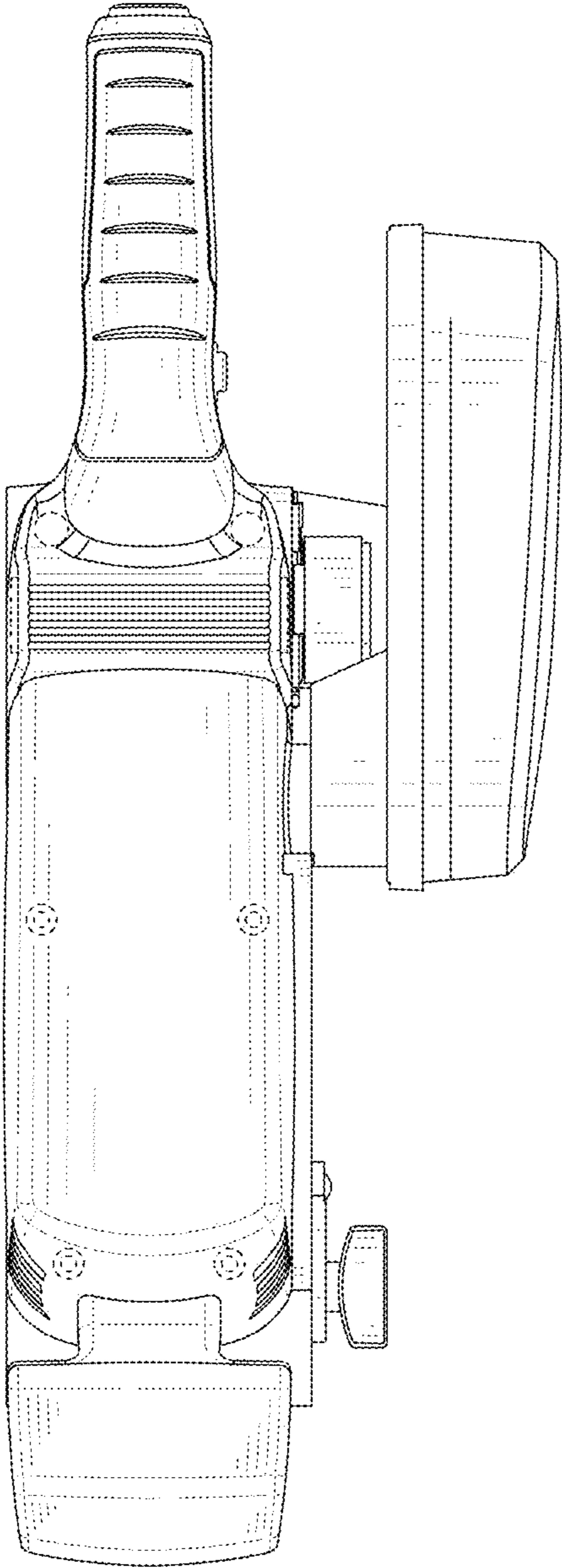


FIG. 7

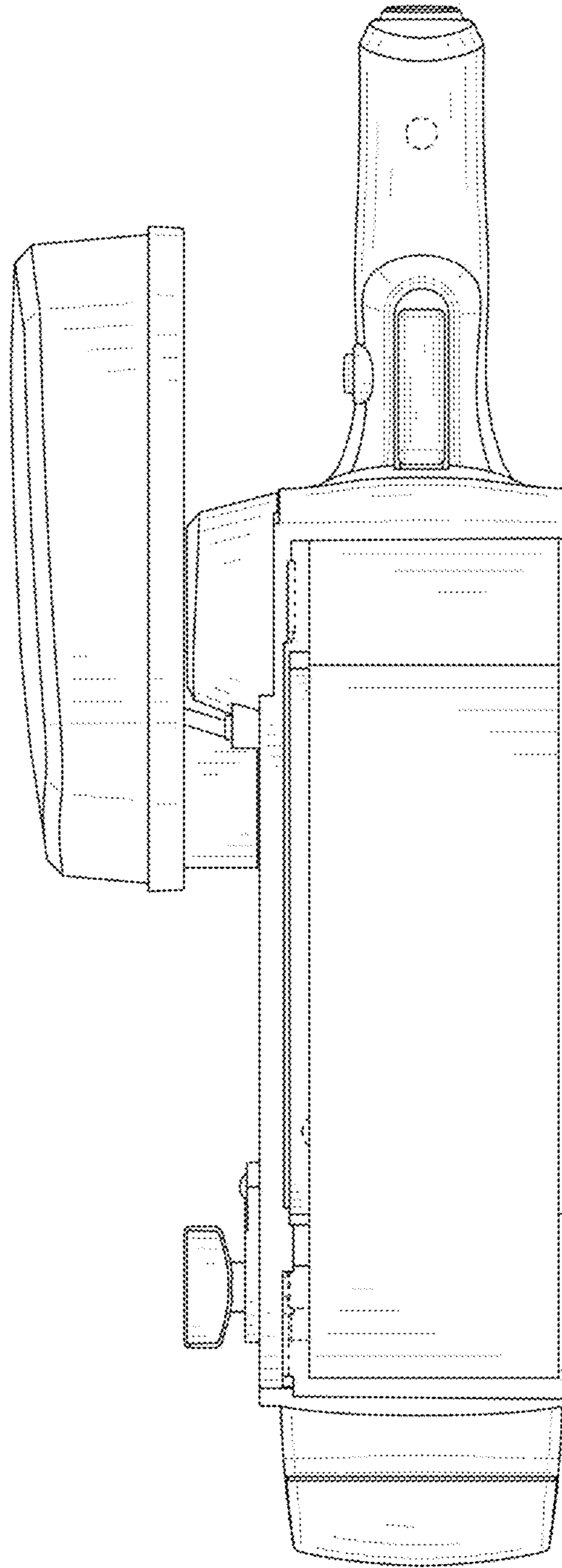


FIG. 8