



US00D931071S

(12) **United States Design Patent**
Yang et al.

(10) **Patent No.:** **US D931,071 S**

(45) **Date of Patent:** **** Sep. 21, 2021**

- (54) **HEAT GUN**
- (71) Applicant: **Zhejiang Prulde Electric Appliance Co., Ltd., Zhejiang (CN)**
- (72) Inventors: **Weiming Yang, Zhejiang (CN); Ting Han, Zhejiang (CN)**
- (73) Assignee: **Zhejiang Prulde Electric Appliance Co., Ltd., Zhejiang (CN)**

D475,590 S *	6/2003	Huang	D8/29.1
6,763,183 B1 *	7/2004	Huang	F24H 9/02
				392/384
D648,606 S *	11/2011	Sallander	D8/29.1
8,948,577 B2 *	2/2015	Eberli	F24H 3/0423
				392/384
D793,827 S *	8/2017	Huang	D8/29.1
D865,463 S *	11/2019	Lei	D8/29.1
D886,558 S *	6/2020	Koenigsberger	D8/29.1
D889,921 S *	7/2020	Lei	D8/29.1
D891,887 S *	8/2020	Lei	D8/29.1
D905,519 S *	12/2020	Gou	D8/29.1

(**) Term: **15 Years**

* cited by examiner

(21) Appl. No.: **29/728,640**

Primary Examiner — Philip S Hyder

(22) Filed: **Mar. 20, 2020**

(74) *Attorney, Agent, or Firm* — JCIP Global Inc.

(30) **Foreign Application Priority Data**

(57) **CLAIM**

Sep. 24, 2019 (CN) 201930524196.8

The ornamental design for a heat gun, as shown and described.

(51) **LOC (13) Cl.** **08-05**

DESCRIPTION

(52) **U.S. Cl.**
USPC **D8/29.1**

(58) **Field of Classification Search**
USPC D8/29.1, 29.2, 30, 61, 67, 68; D28/13
CPC A45D 20/08; A45D 20/10; F24H 3/00;
F24H 3/0423; F16M 13/00
See application file for complete search history.

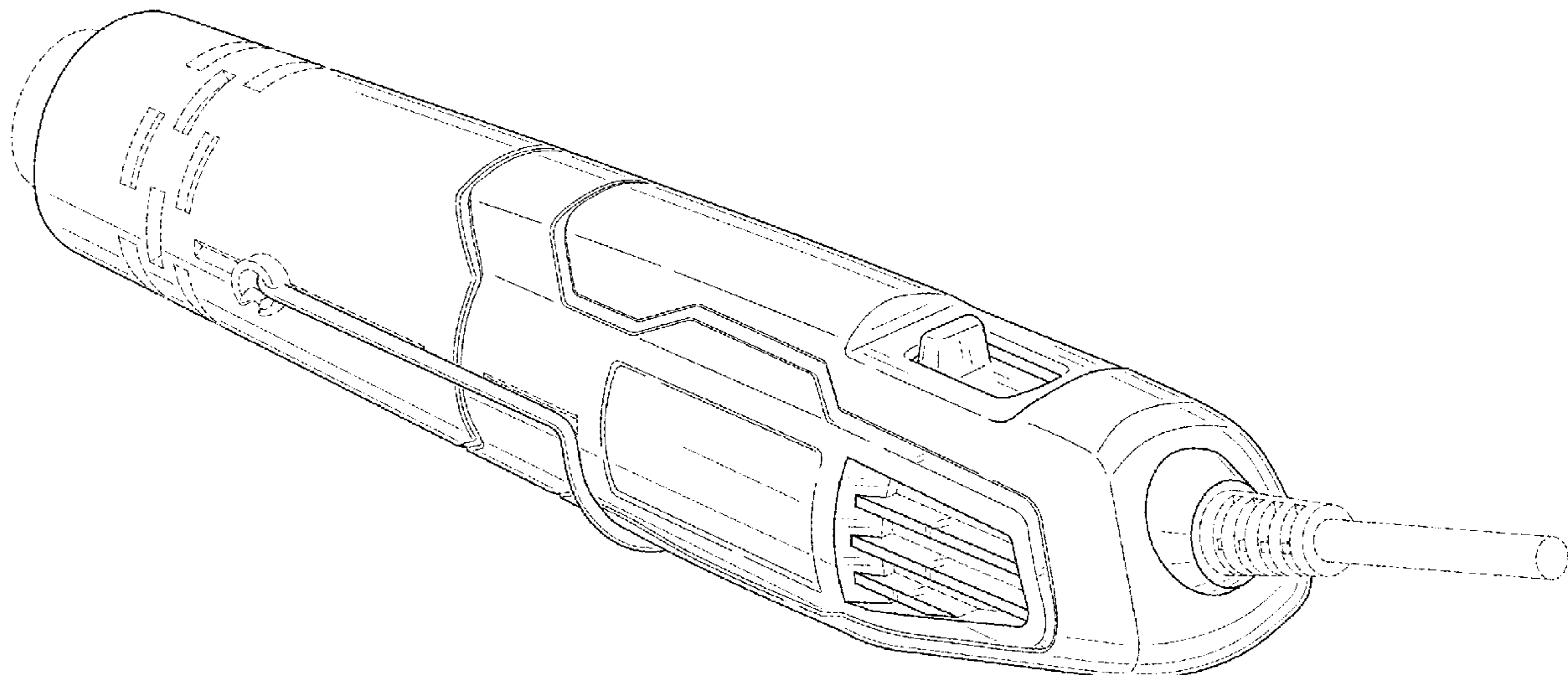
FIG. 1 is a perspective view of a heat gun showing our new design;
FIG. 2 is a front view thereof;
FIG. 3 is a rear view thereof;
FIG. 4 is a left side view thereof;
FIG. 5 is a right side view thereof;
FIG. 6 is a top view thereof;
FIG. 7 is a bottom view thereof; and,
FIG. 8 is another perspective view thereof, showing the stand in a supporting position.
The broken lines in the drawings represent the portions of the heat gun that form no part of the claimed design.

(56) **References Cited**

U.S. PATENT DOCUMENTS

D456,681 S *	5/2002	Cheng	D8/29.1
D457,043 S *	5/2002	Cheng	D8/29.1
D458,524 S *	6/2002	Cheng	D8/29.1
D458,818 S *	6/2002	Cheng	D8/29.1
D463,507 S *	9/2002	Gautieri	D21/405

1 Claim, 5 Drawing Sheets



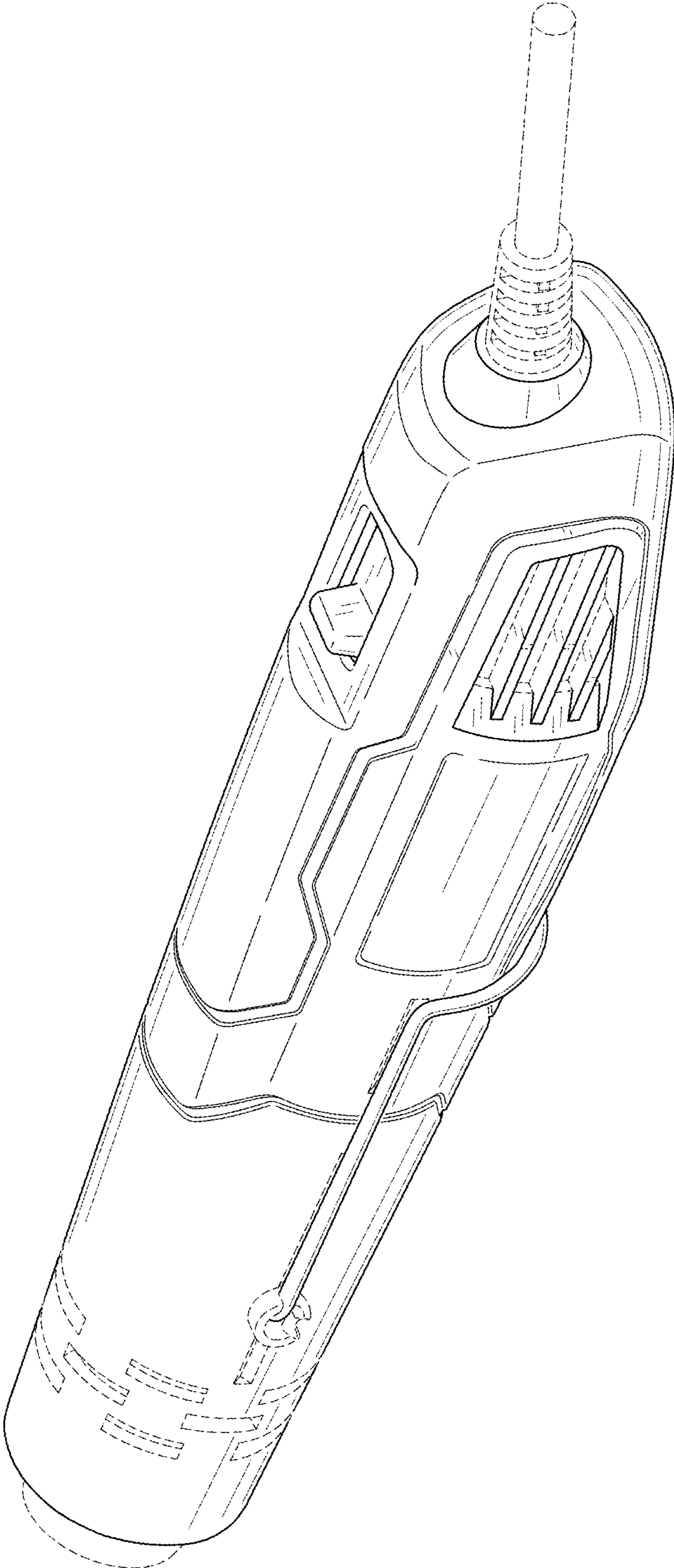


FIG. 1

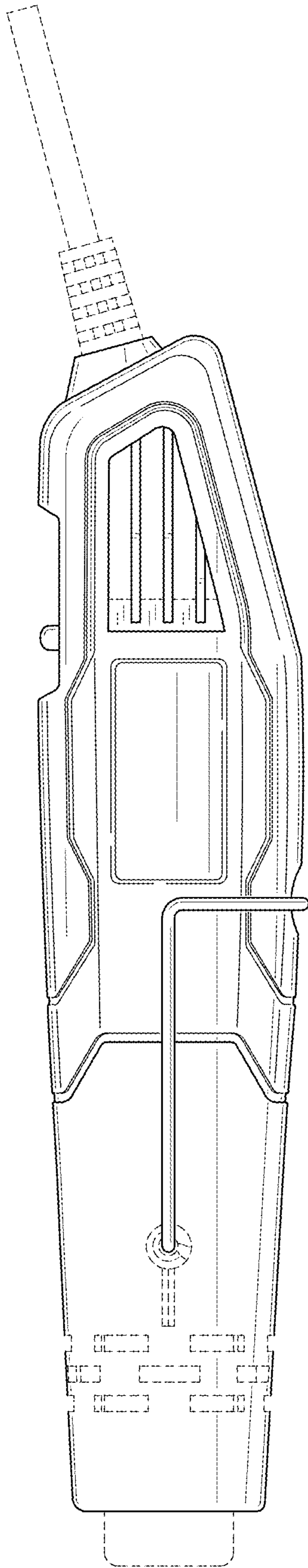


FIG. 2

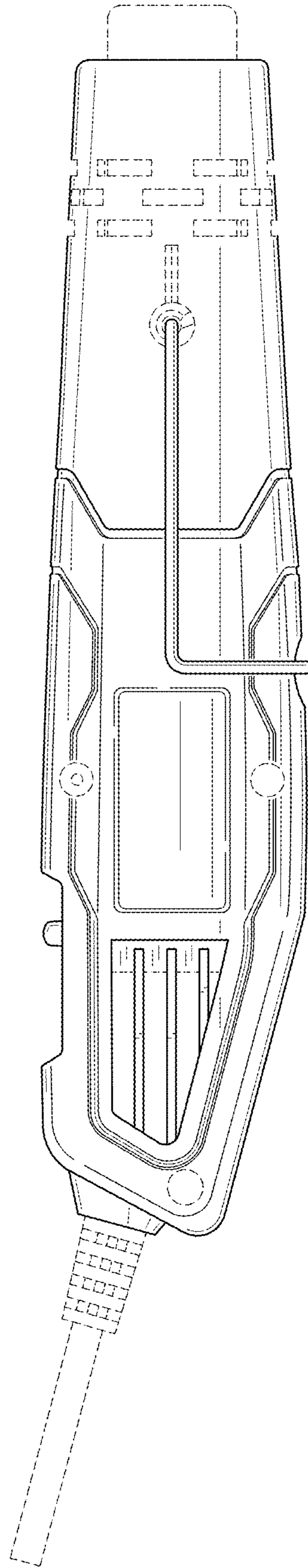


FIG. 3

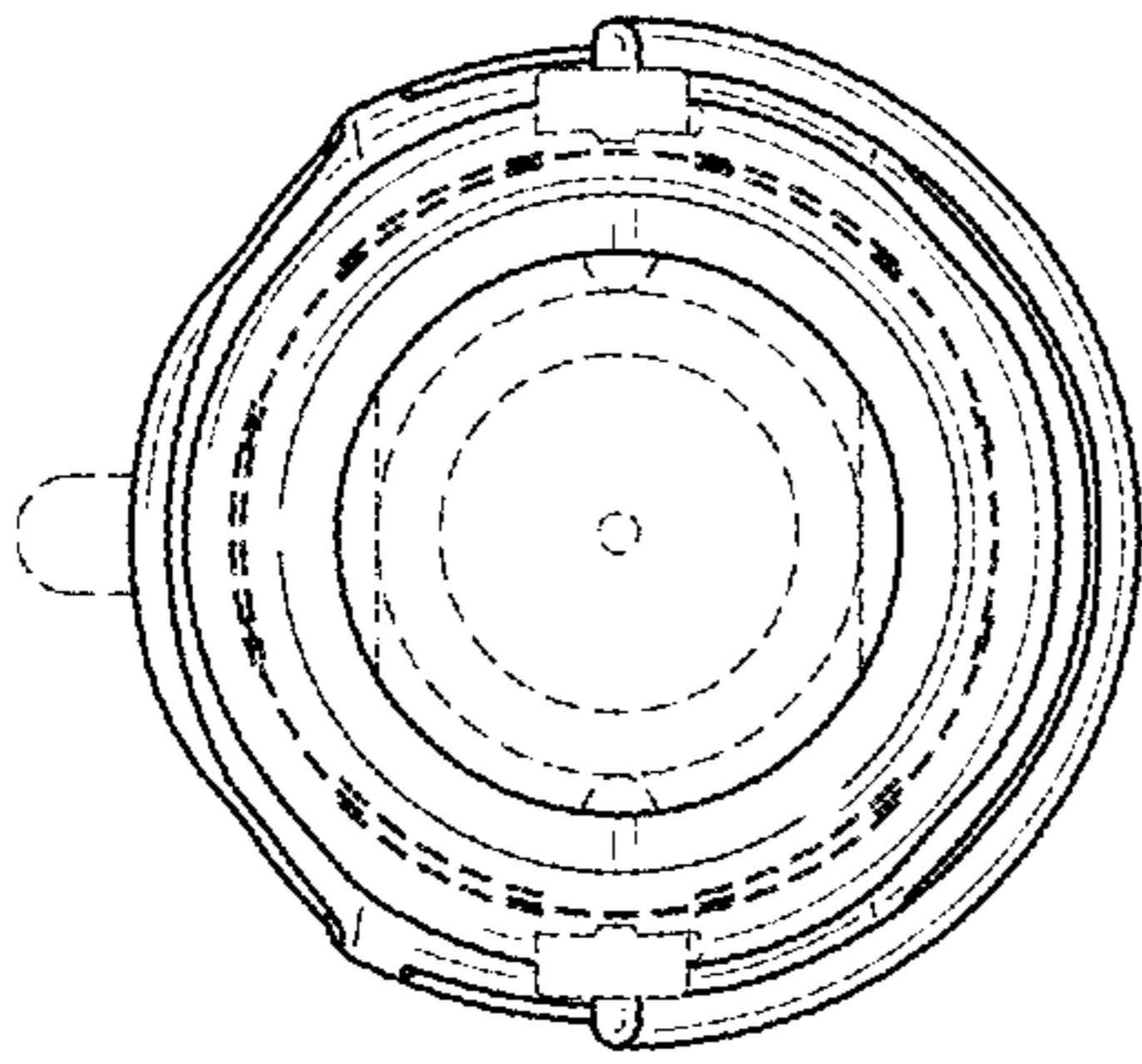


FIG. 4

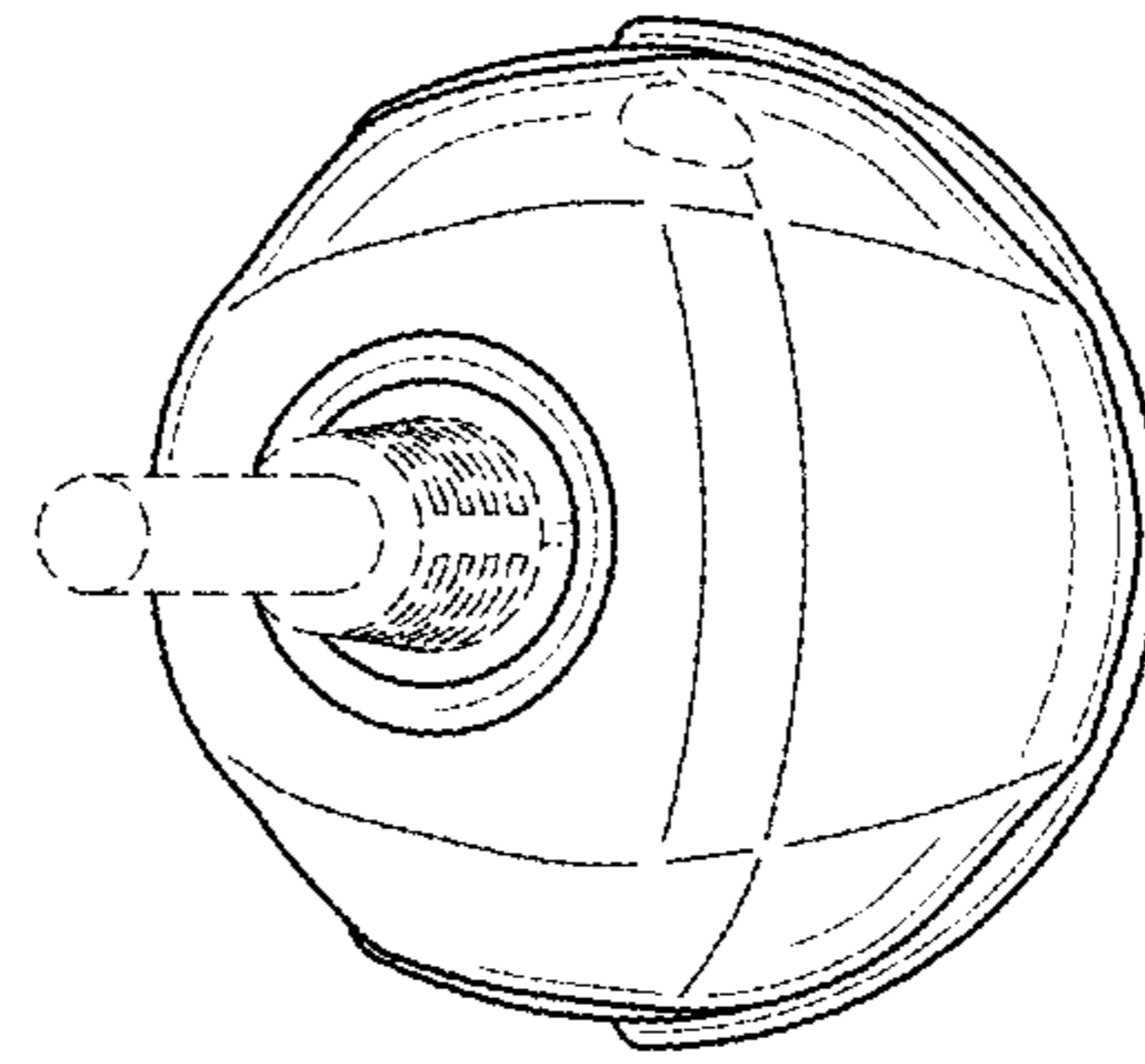


FIG. 5

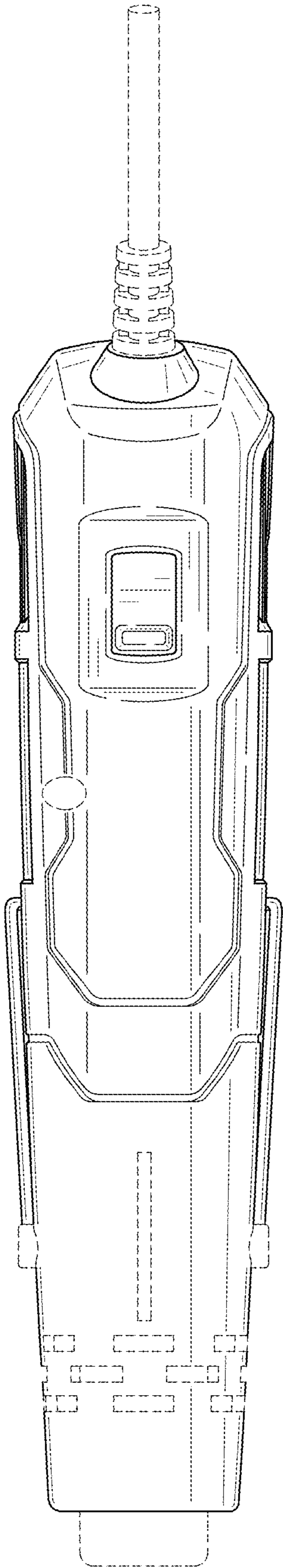


FIG. 6

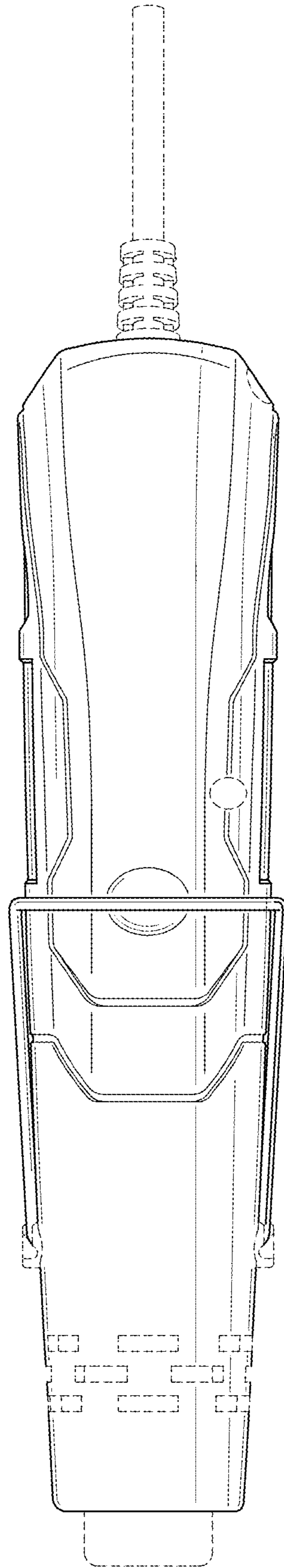


FIG. 7

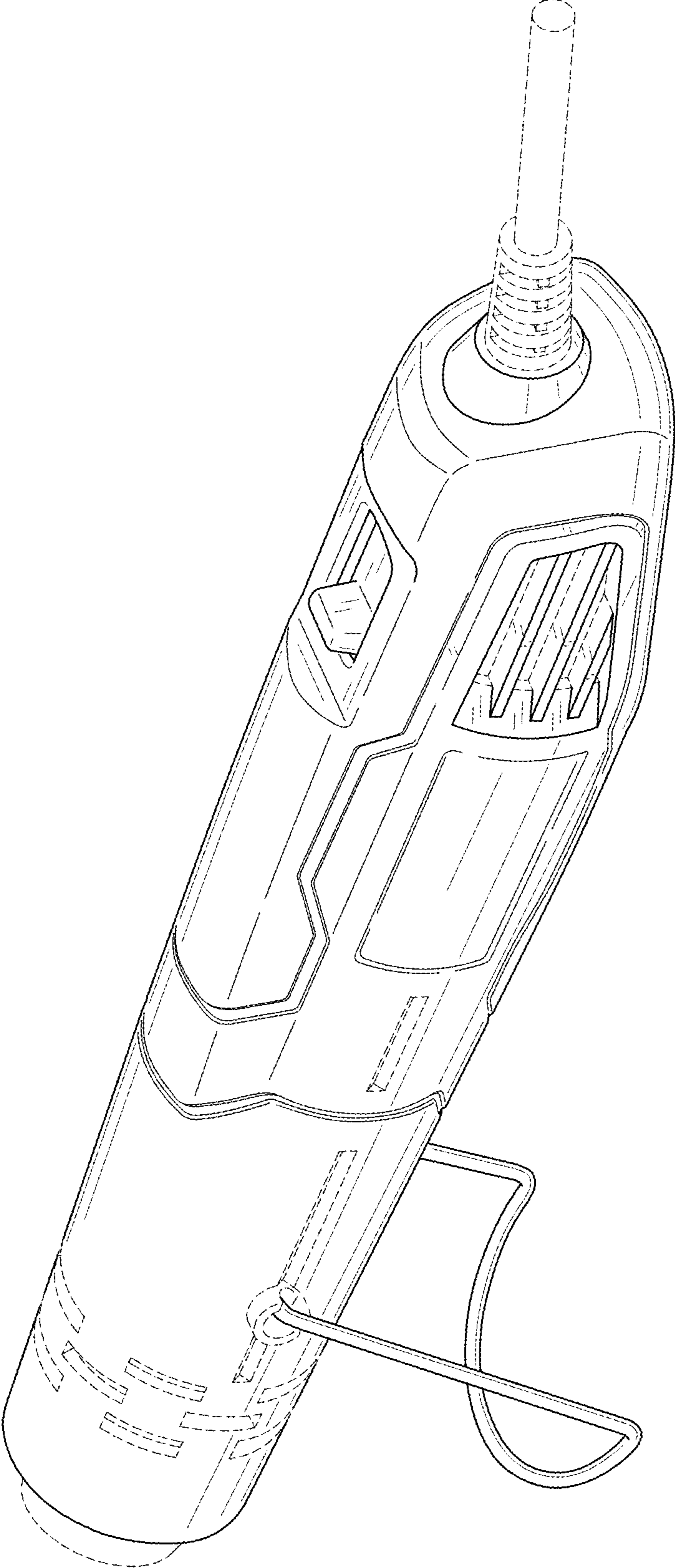


FIG. 8